

(21) Application No: 2310147.0
 (22) Date of Filing: 22.12.2021
 Date Lodged: 03.07.2023
 (30) Priority Data:
 (31) 17132545 (32) 23.12.2020 (33) US
 (86) International Application Data:
 PCT/US2021/064989 En 22.12.2021
 (87) International Publication Data:
 WO2022/140625 En 30.06.2022

(51) INT CL:
 B63B 23/00 (2006.01) B63C 9/02 (2006.01)
 B63H 21/38 (2006.01) F01P 3/20 (2006.01)
 (56) Documents Cited:
 WO 2020/054939 A1 SE 000465422 B
 US 5333752 A US 4413583 A
 US 20090294486 A1
 Survival Systems International, "Engine Run Kit (ENHANCED SAFETY KIT FOR OFFSHORE CAPSULES)"(20201202), entire document, especially figures, safety benefits paragraph 1
 (58) Field of Search:
 INT CL B63B, B63C, B63H, B66C, F01P
 Other: PatBase, Google Patents, Google Web. WPI, EPODOC.

(71) Applicant(s):
 Survival Systems International, Inc
 34140 Valley Center Dr., Valley Center 92082,
 California, United States of America
 (72) Inventor(s):
 James Ziegel
 Kyle Seaman
 Juan Barrientos
 Roger Lopez
 (74) Agent and/or Address for Service:
 Barker Brettell LLP
 100 Hagley Road, Edgbaston, BIRMINGHAM,
 B16 8QQ, United Kingdom

(54) Title of the Invention: In-davit run kits and methods for lifeboats
 Abstract Title: In-davit run kits and methods for lifeboats

(57) In general, one aspect disclosed features an in-davit run kit for a lifeboat, the kit comprising: a water container comprising a first connector; a hose configured to connect with the first connector; and a second connector configured to connect to the hose, wherein the second connector is in fluid communication with a water cooling system of the lifeboat; wherein the in-davit run kit allows a water pump of the lifeboat to draw water from the water container into the water cooling system of the lifeboat.

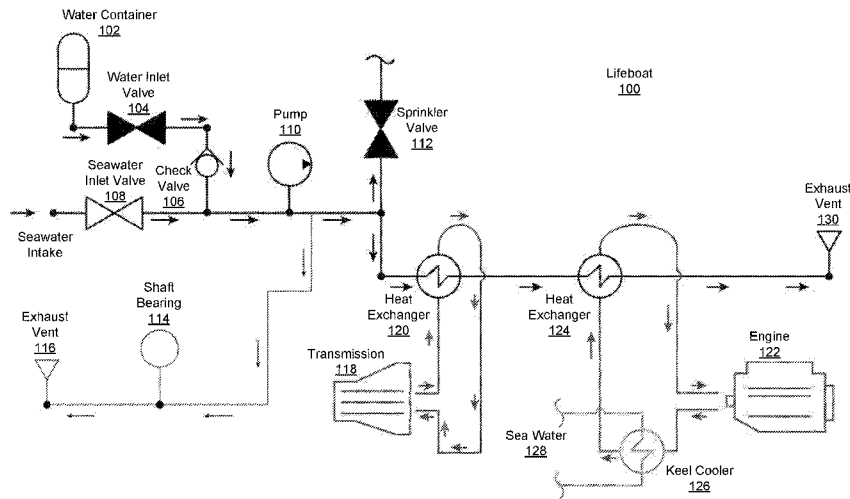


FIG. 1