

(12) **United States Patent**
Dumont et al.

(10) **Patent No.:** **US 11,802,887 B2**
(45) **Date of Patent:** ***Oct. 31, 2023**

(54) **PRESSURE SENSING PROBE**

(71) Applicants: **BNSF RAILWAY COMPANY**, Fort Worth, TX (US); **AIRFLOW SCIENCES CORPORATION**, Livonia, MI (US)

(72) Inventors: **Brian J. Dumont**, Royal Oak, MI (US); **James Paul**, Carmel, CA (US); **Matthew Fleming**, Ypsilanti, MI (US); **Paul Harris**, Canton, MI (US); **Corey D. Wills**, Berryton, KS (US); **Corey T. Pasta**, Topeka, KS (US); **Paul K. Gabler**, Lenexa, KS (US); **Dennis W. Morgart**, Topeka, KS (US)

(73) Assignee: **BNSF Railway Company**, Fort Worth, TX (US)

(*) Notice: Subject to any disclaimer, the term of this patent is extended or adjusted under 35 U.S.C. 154(b) by 68 days.

This patent is subject to a terminal disclaimer.

(21) Appl. No.: **17/176,121**

(22) Filed: **Feb. 15, 2021**

(65) **Prior Publication Data**

US 2021/0165016 A1 Jun. 3, 2021

Related U.S. Application Data

(63) Continuation of application No. 16/295,240, filed on Mar. 7, 2019, now Pat. No. 10,921,344.

(51) **Int. Cl.**

G01P 5/14 (2006.01)
B61L 23/00 (2006.01)

(Continued)

(52) **U.S. Cl.**

CPC **G01P 5/14** (2013.01); **B61L 23/00** (2013.01); **G01P 13/02** (2013.01); **B61L 27/70** (2022.01)

(58) **Field of Classification Search**

CPC G01P 5/14; G01P 13/02; G01P 13/045; B61L 23/00; B61L 3/006; B61L 15/0072; B61L 15/0081; B61C 5/00; B61F 9/005
See application file for complete search history.

(56) **References Cited**

U.S. PATENT DOCUMENTS

6,176,130 B1 1/2001 Nakaya et al.
6,543,293 B1 4/2003 Kurtz et al.

(Continued)

FOREIGN PATENT DOCUMENTS

JP 2009145265 A 7/2009
JP 2012223076 A 11/2012

OTHER PUBLICATIONS

Patent Cooperation Treaty, International Search Report and Written Opinion, International Application No. PCT/US2020/015374, dated Apr. 24, 2020, 16 pages.

(Continued)

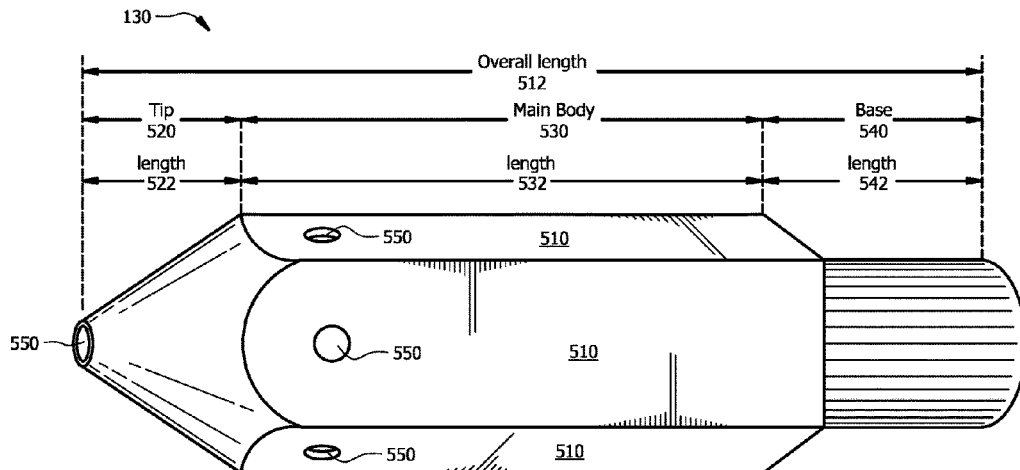
Primary Examiner — David Z Huang

(74) *Attorney, Agent, or Firm* — WHITAKER CHALK SWINDLE & SCHWARTZ PLLC; Enrique Sanchez, Jr.

(57) **ABSTRACT**

In one embodiment, a probe includes a first facet associated with a first pressure port operable to measure a first wind pressure, a second facet associated with a second pressure port operable to measure a second wind pressure, and a third facet associated with a third pressure port operable to measure a third wind pressure. The second facet is adjacent to the first facet and the third facet adjacent to the second facet. The probe further includes a fourth facet adjacent to the third facet and a fifth facet adjacent to the fourth facet and to the first facet. The first facet, the second facet, the third facet, the fourth facet, and the fifth facet are located between a first end portion and a second end portion of the probe.

20 Claims, 18 Drawing Sheets



- (51) **Int. Cl.**
G01P 13/02 (2006.01)
B61L 27/70 (2022.01)

(56) **References Cited**

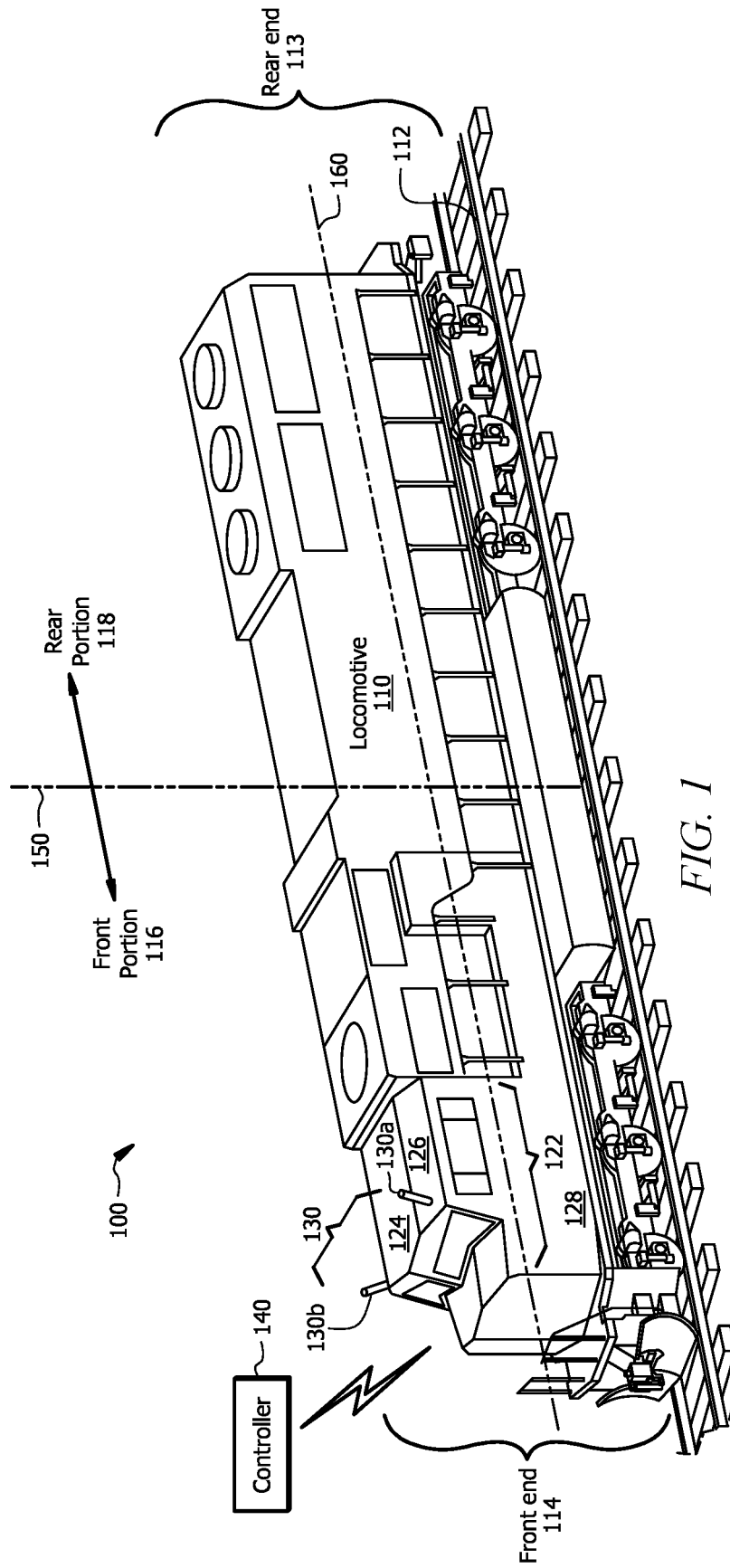
U.S. PATENT DOCUMENTS

6,584,855 B1 7/2003 Fex, Jr.
10,921,344 B2 * 2/2021 Dumont G01P 13/045
2009/0142192 A1 * 6/2009 LeClair G01P 13/02
416/9
2017/0269612 A1 * 9/2017 Frolov G01P 5/10
2020/0217748 A1 * 7/2020 Wang G01F 1/46

OTHER PUBLICATIONS

Dumont, B. J. et al., "Systems and Methods for Determining Wind Velocity," U.S. Appl. No. 16/295,094, filed Mar. 7, 2019, 63 pages.
Dumont, B. J. et al., "Systems and Methods for Converting Wind Pressure to Wind Velocity," U.S. Appl. No. 16/295,371, filed Mar. 7, 2019, 64 pages.
Dumont, B. J. et al., "Systems and Methods for Communicating Information Associated with Wind Pressures," U.S. Appl. No. 16/295,490, filed Mar. 7, 2019, 65 pages.
Dumont, B. J. et al., "Systems and Methods for Measuring Wind Velocity for Vehicles Traversing Curve," U.S. Appl. No. 16/295,604, filed Mar. 7, 2019, 64 pages.

* cited by examiner



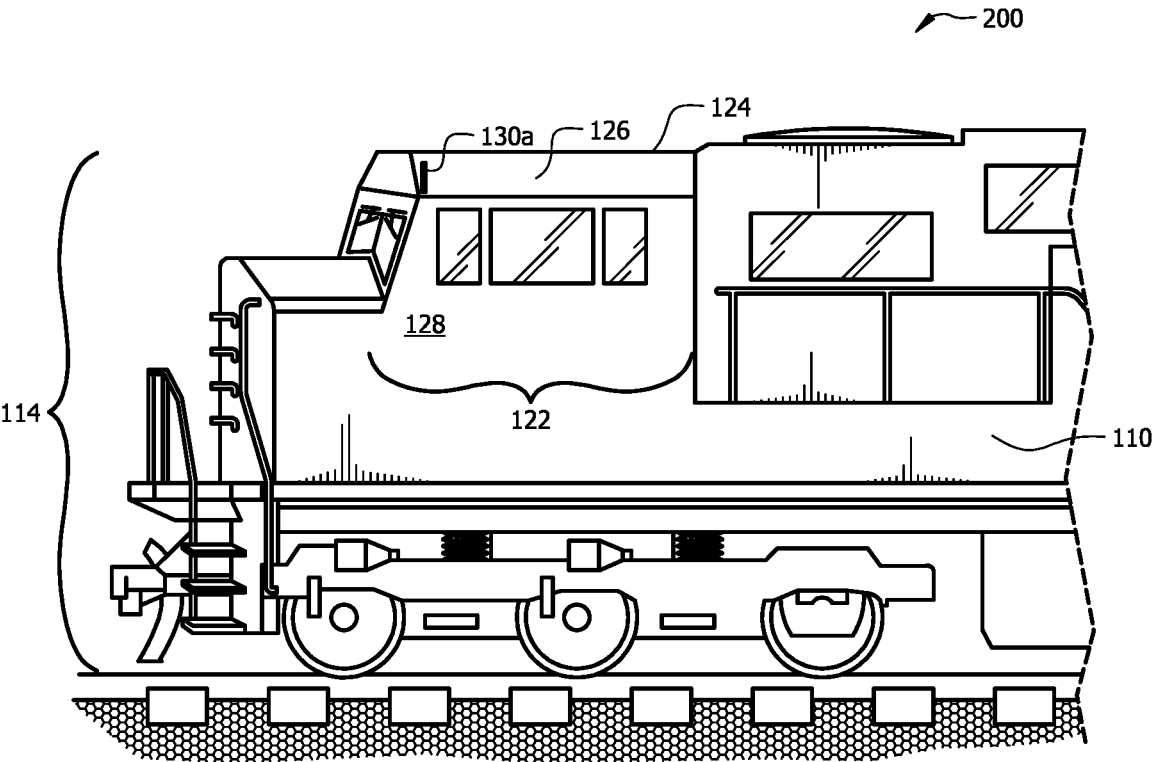


FIG. 2

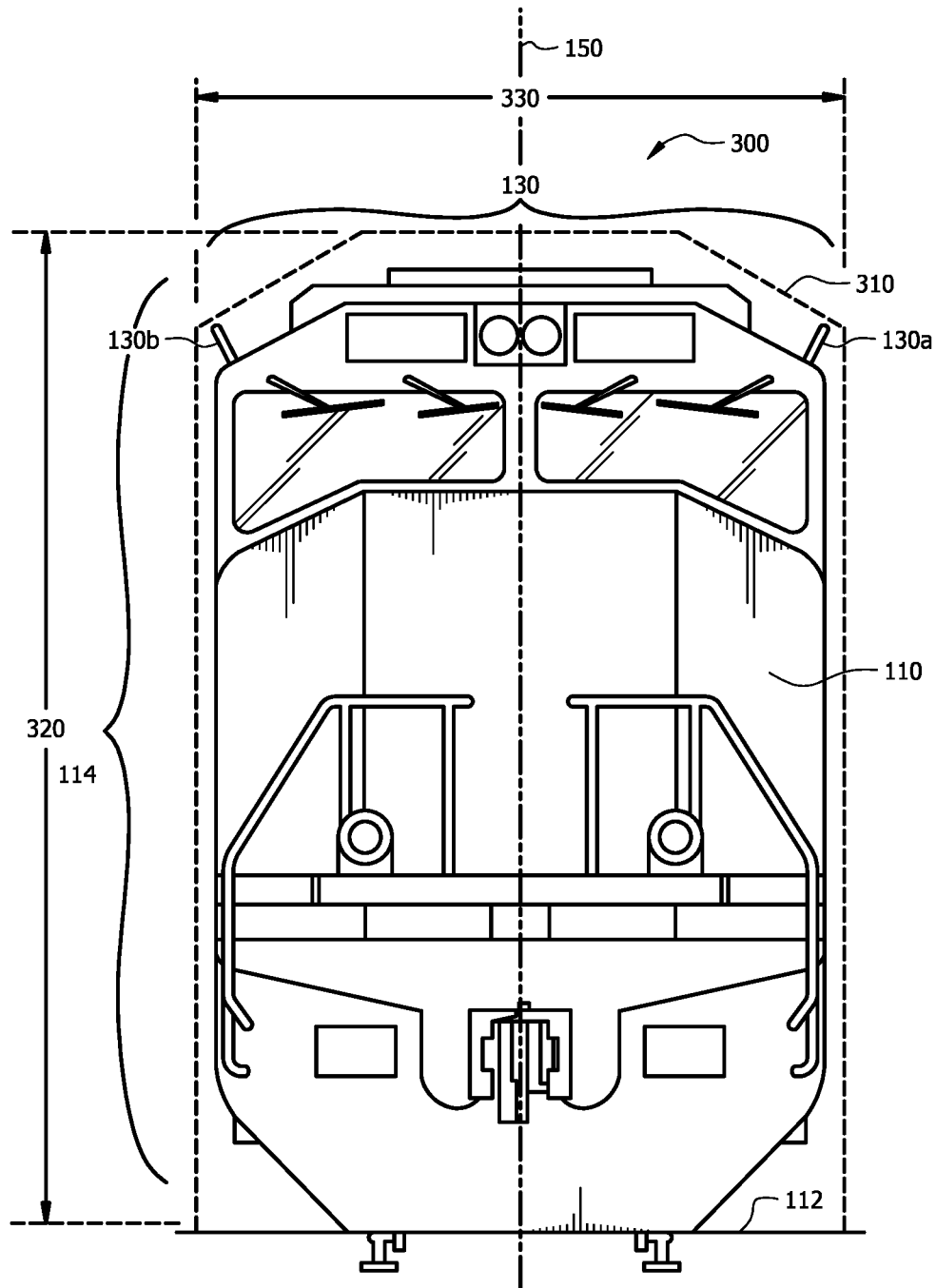


FIG. 3

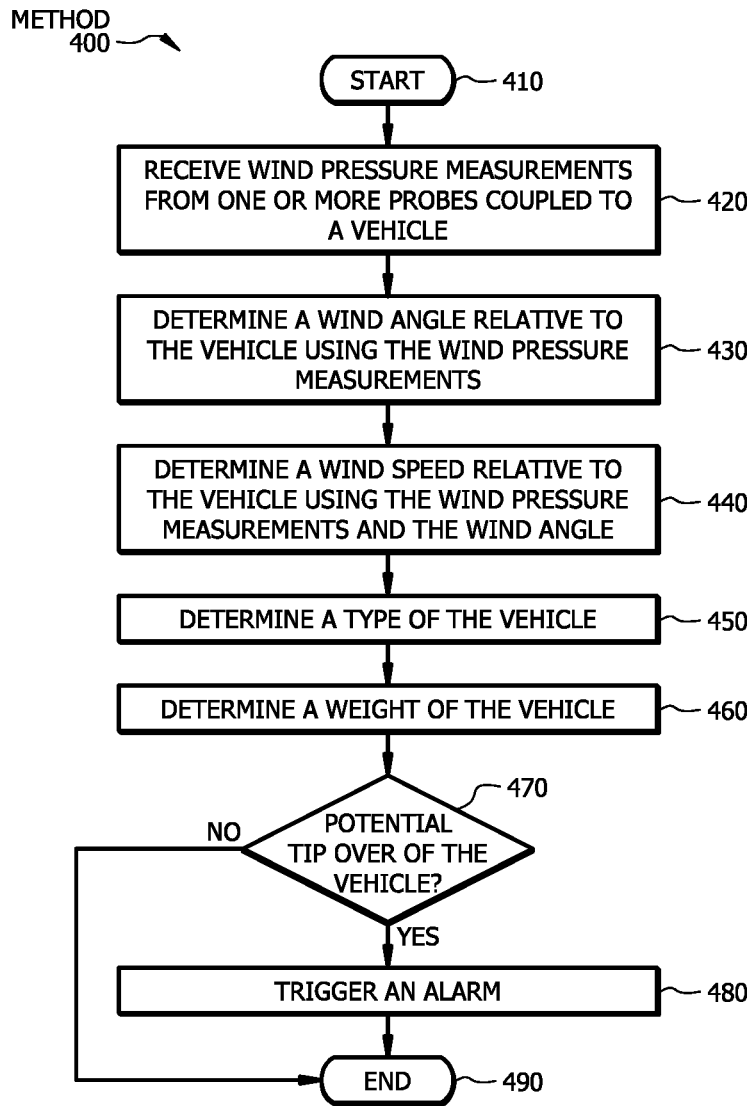


FIG. 4

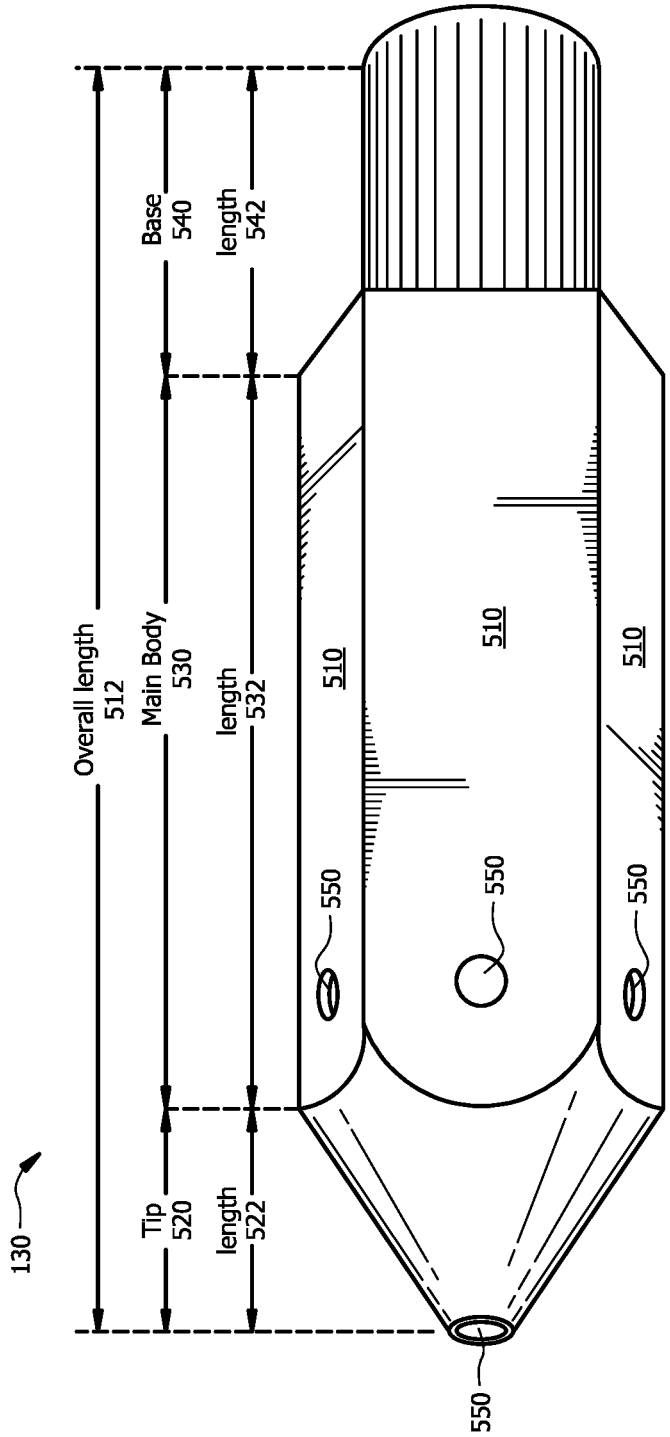


FIG. 5

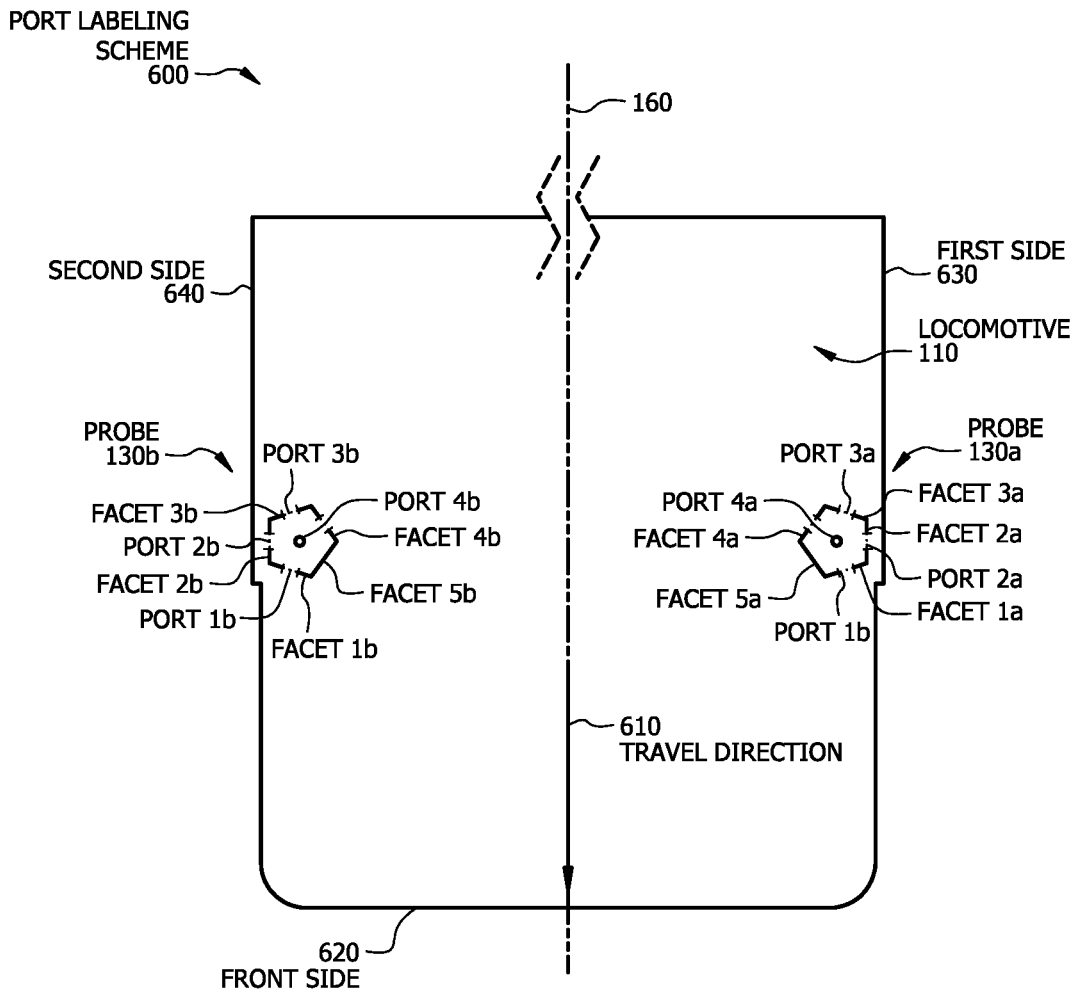


FIG. 6

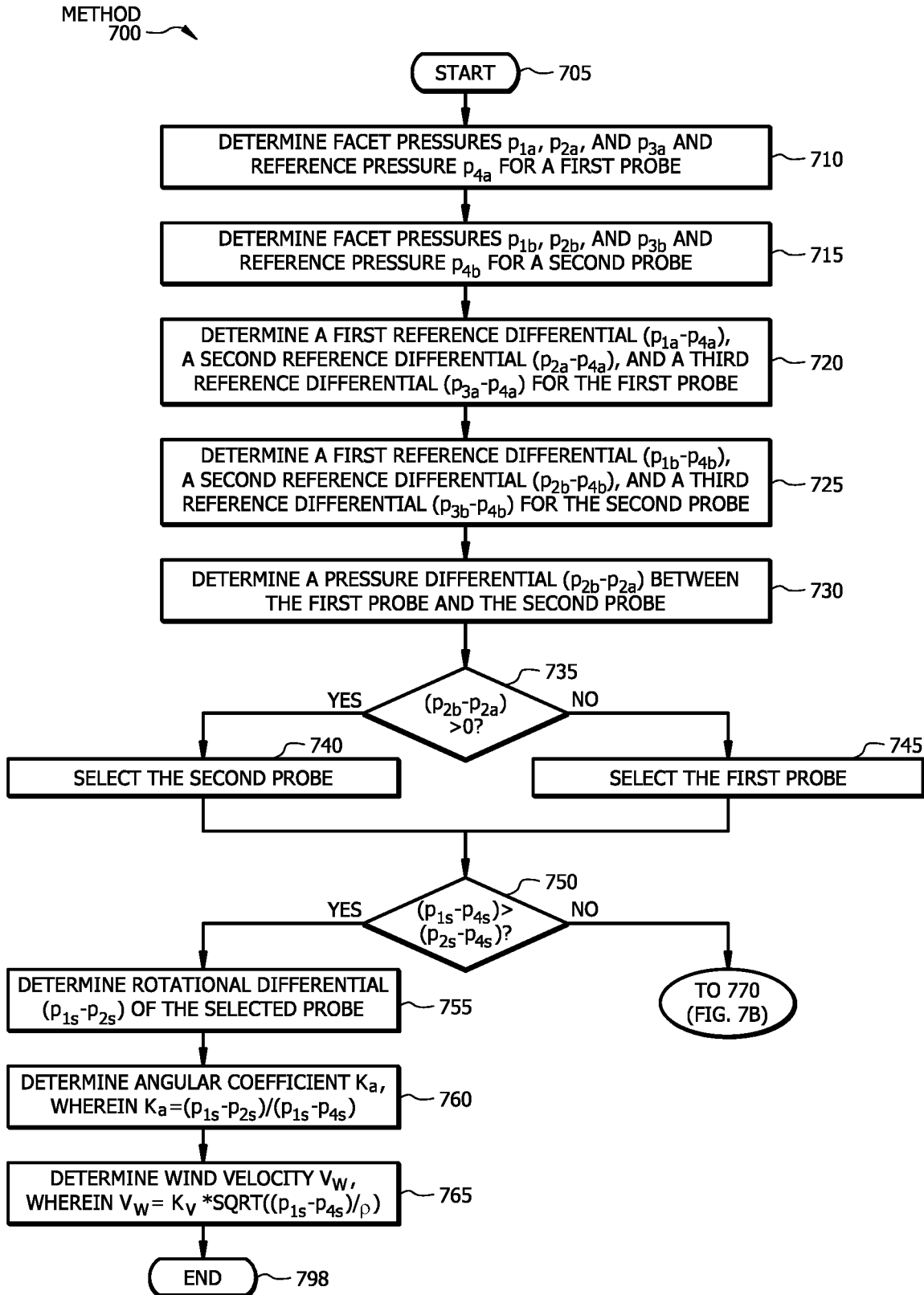


FIG. 7A

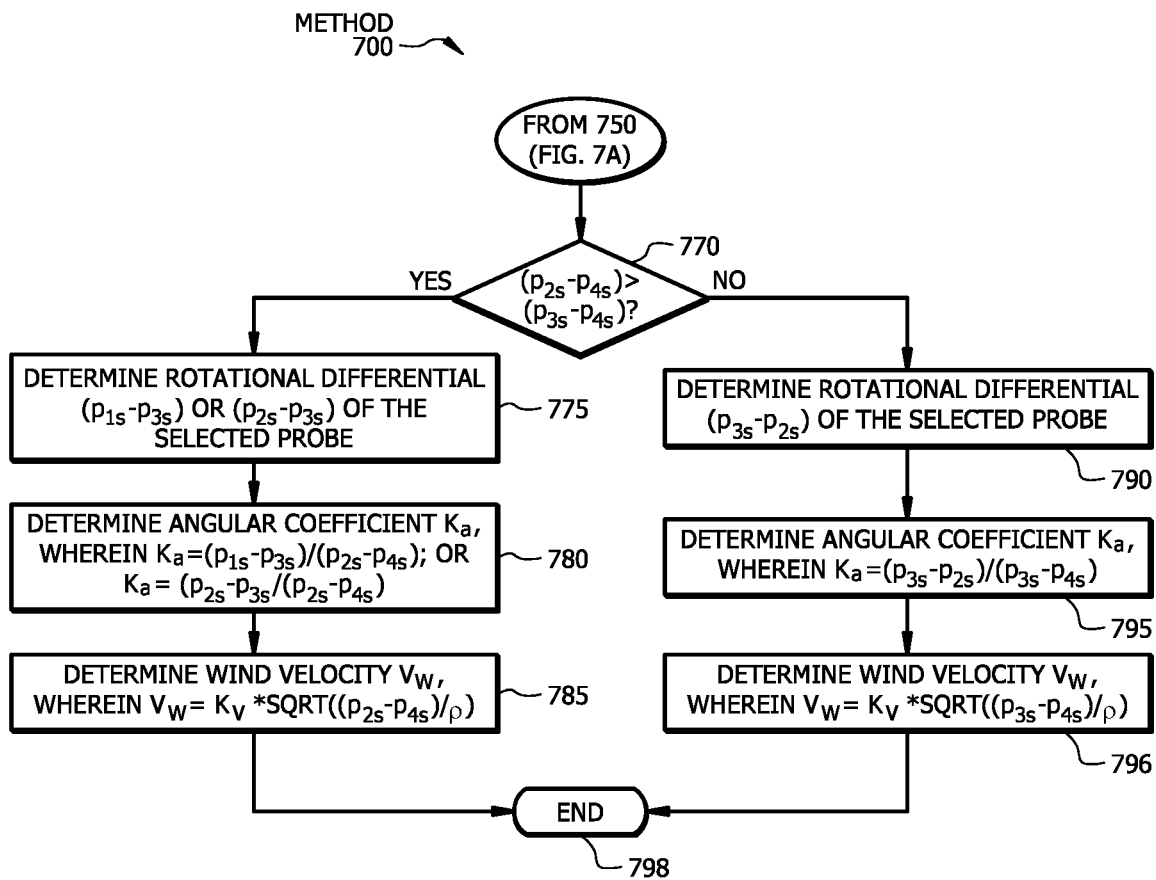
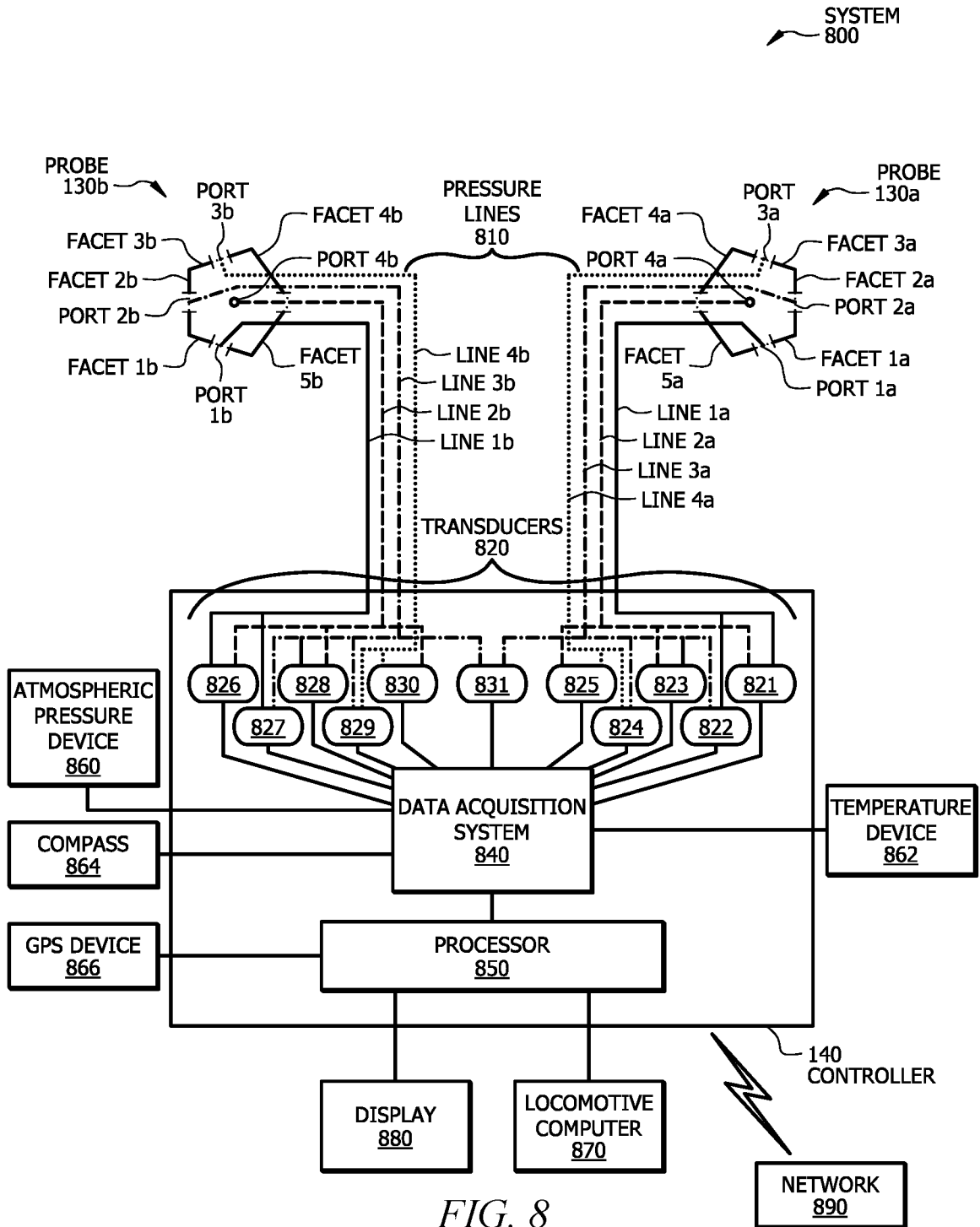


FIG. 7B



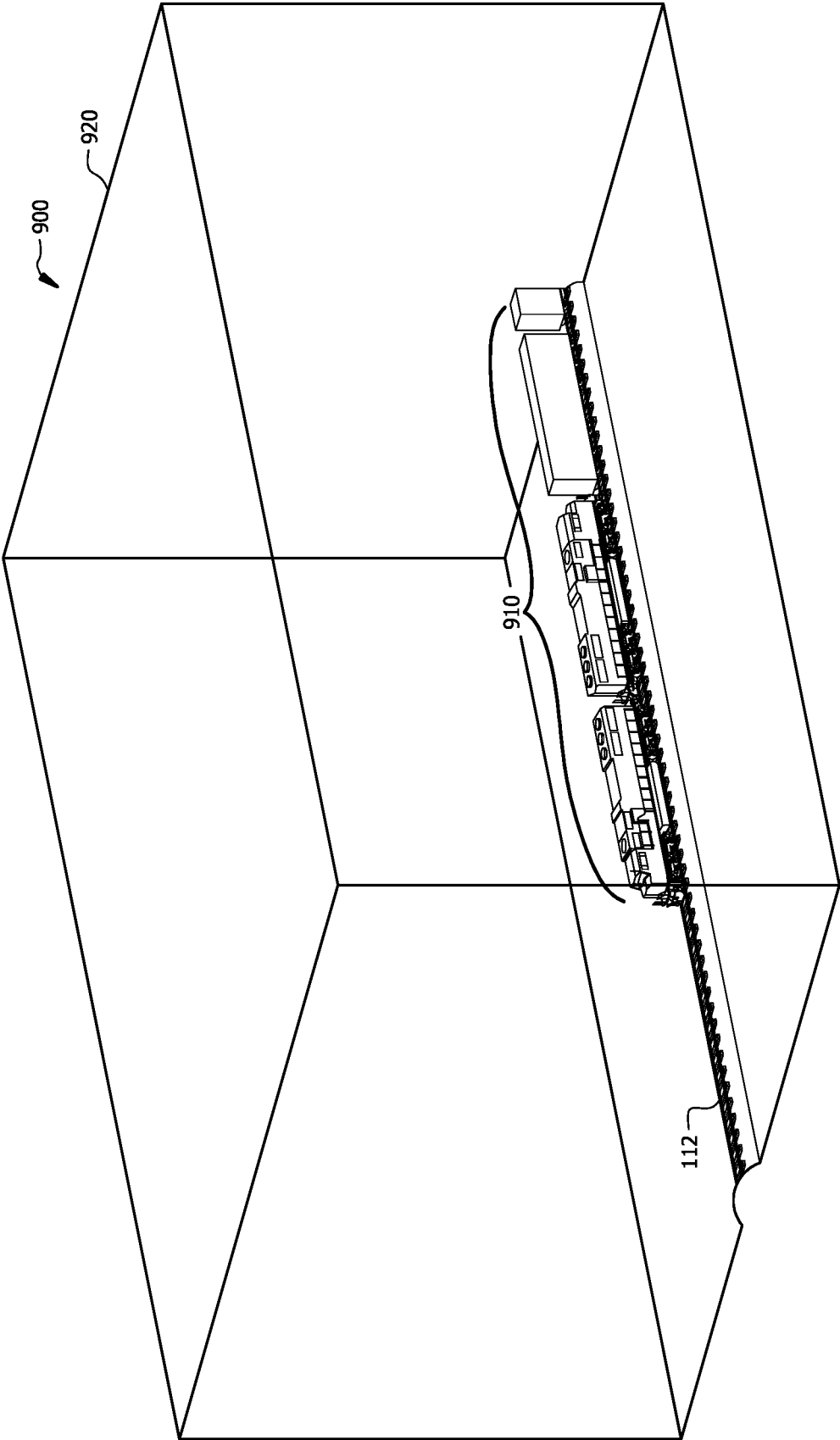


FIG. 9A

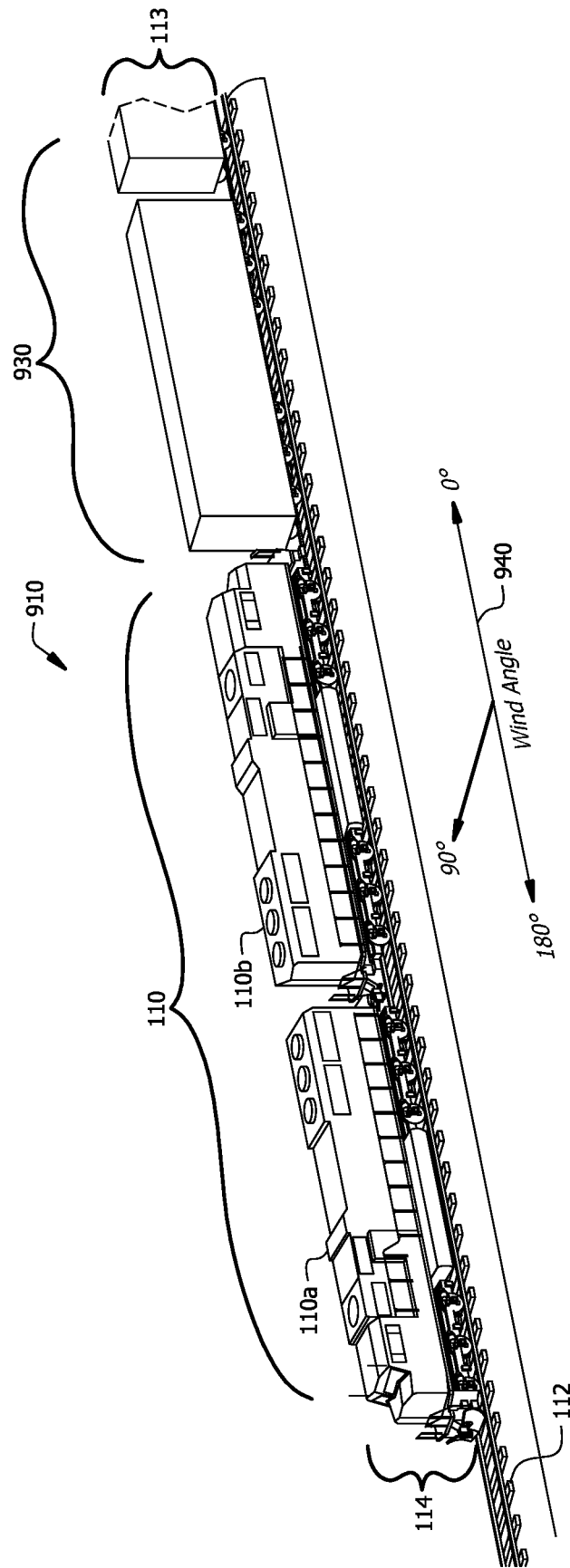


FIG. 9B

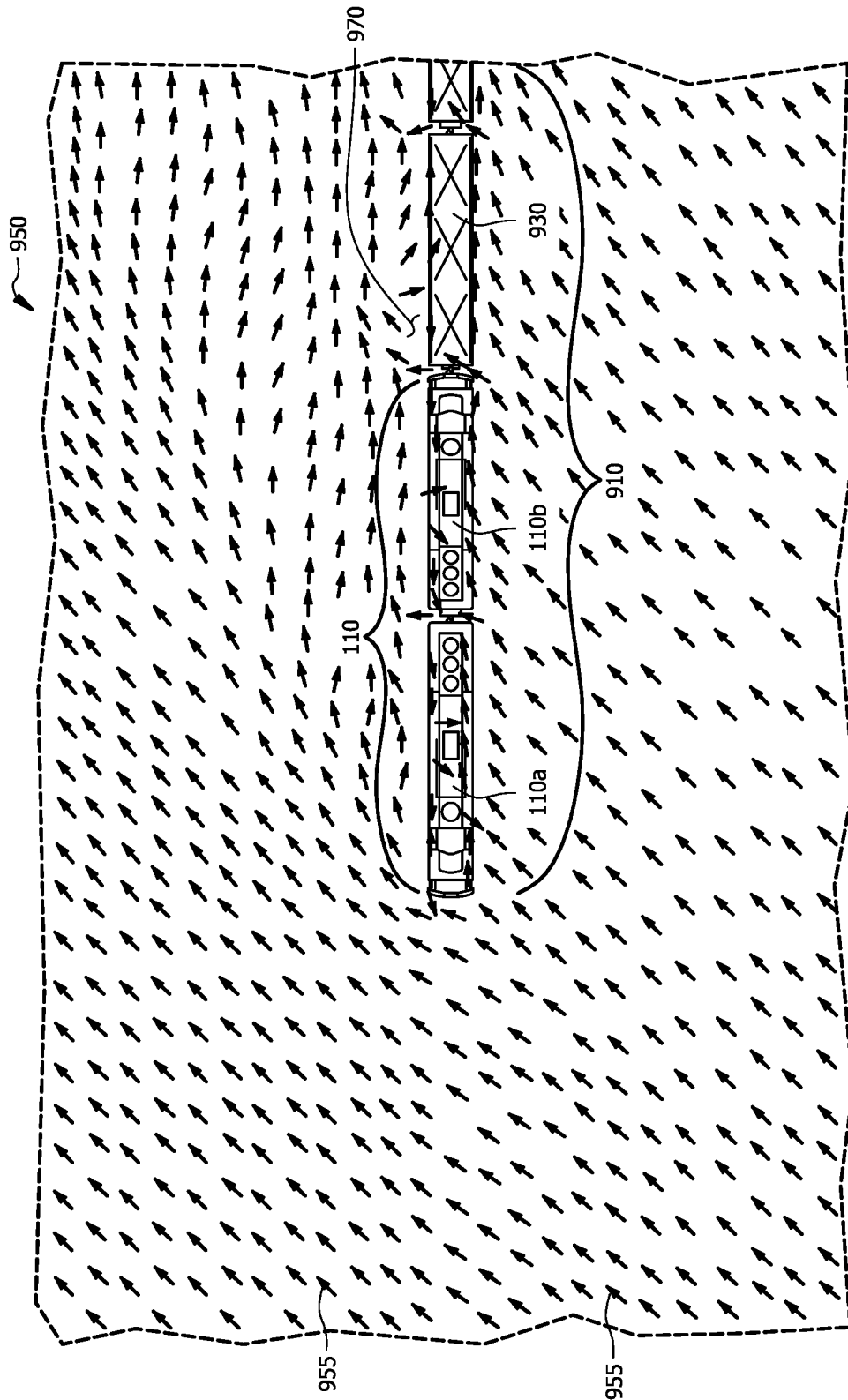


FIG. 9C

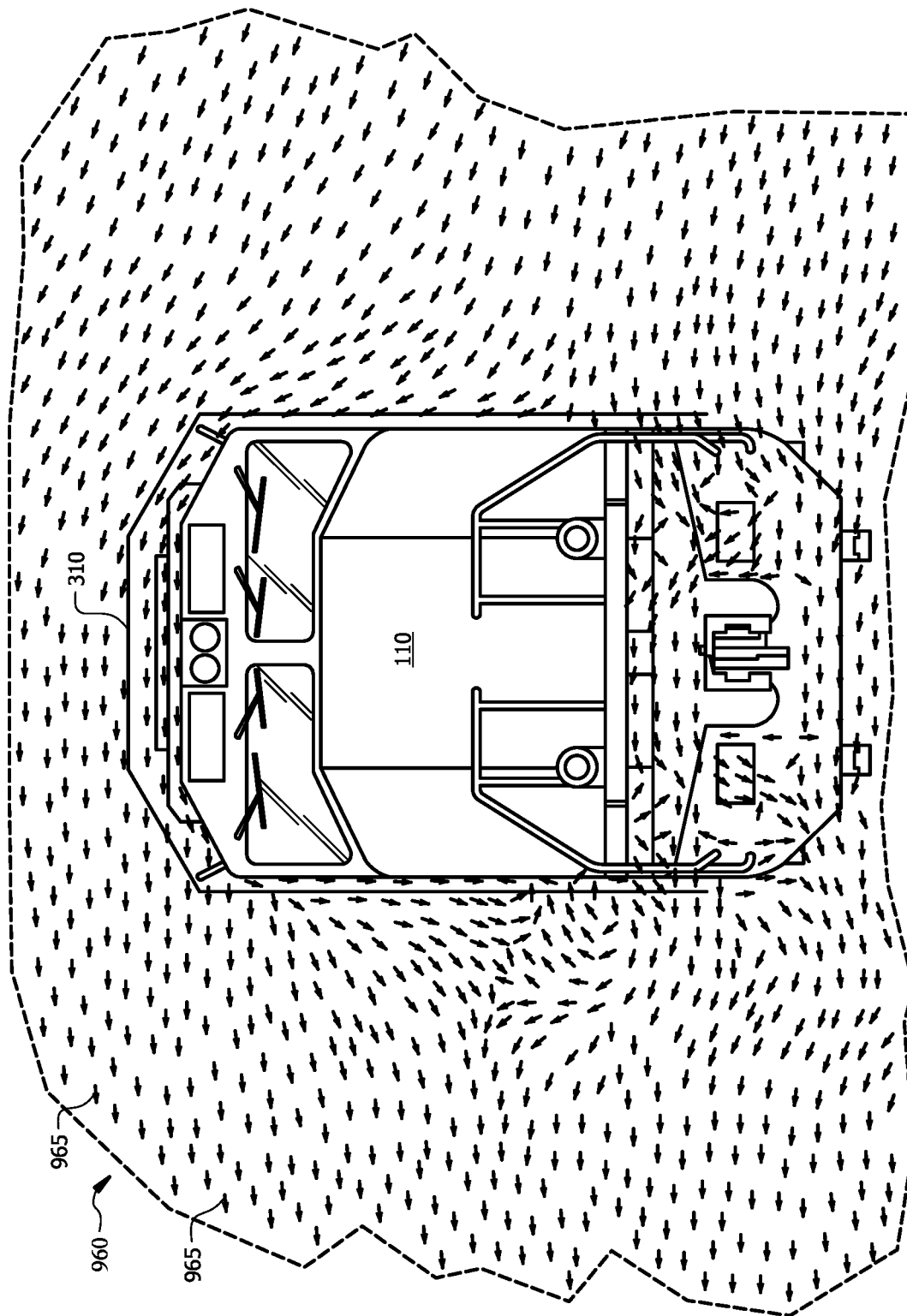


FIG. 9D

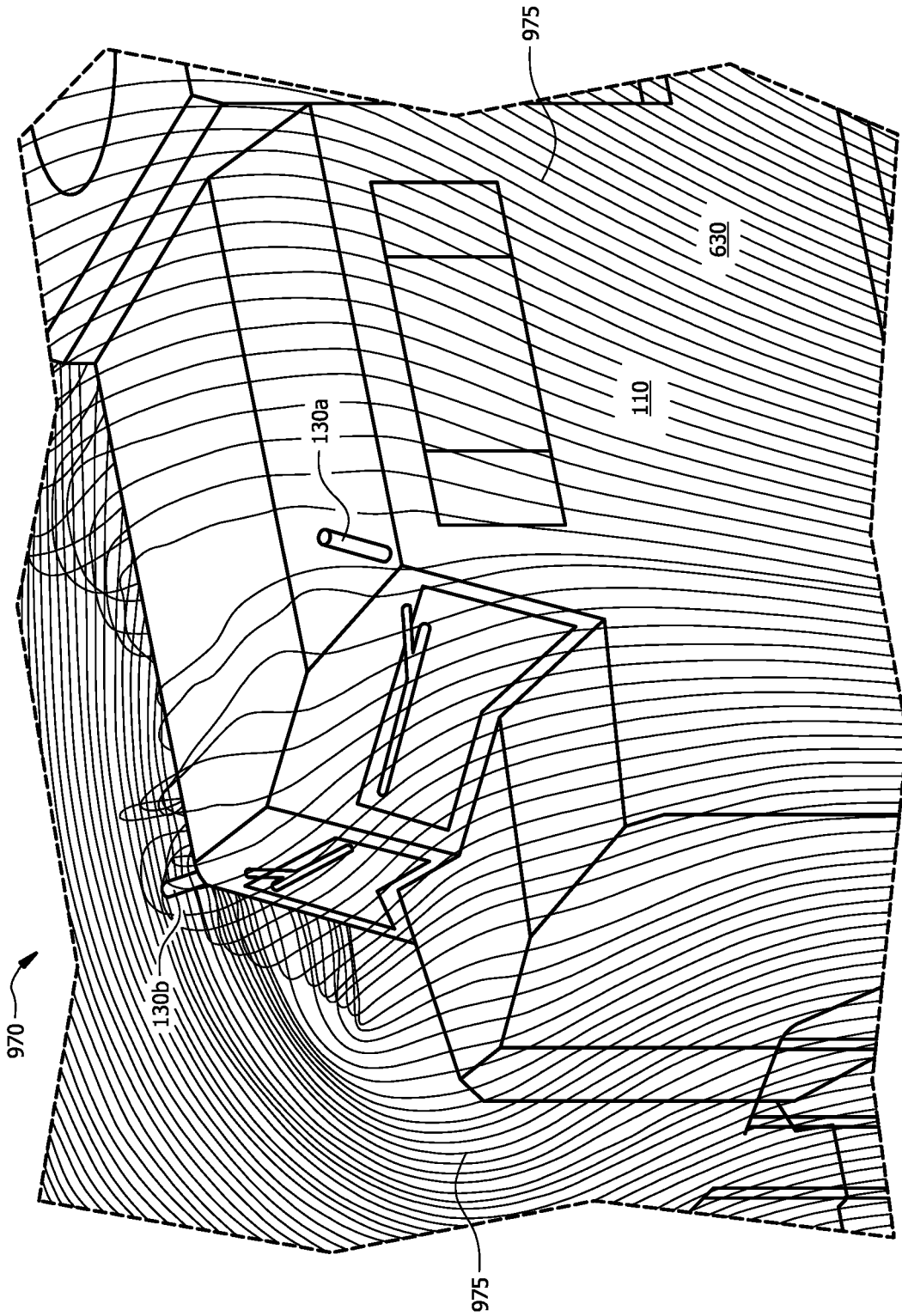


FIG. 9E

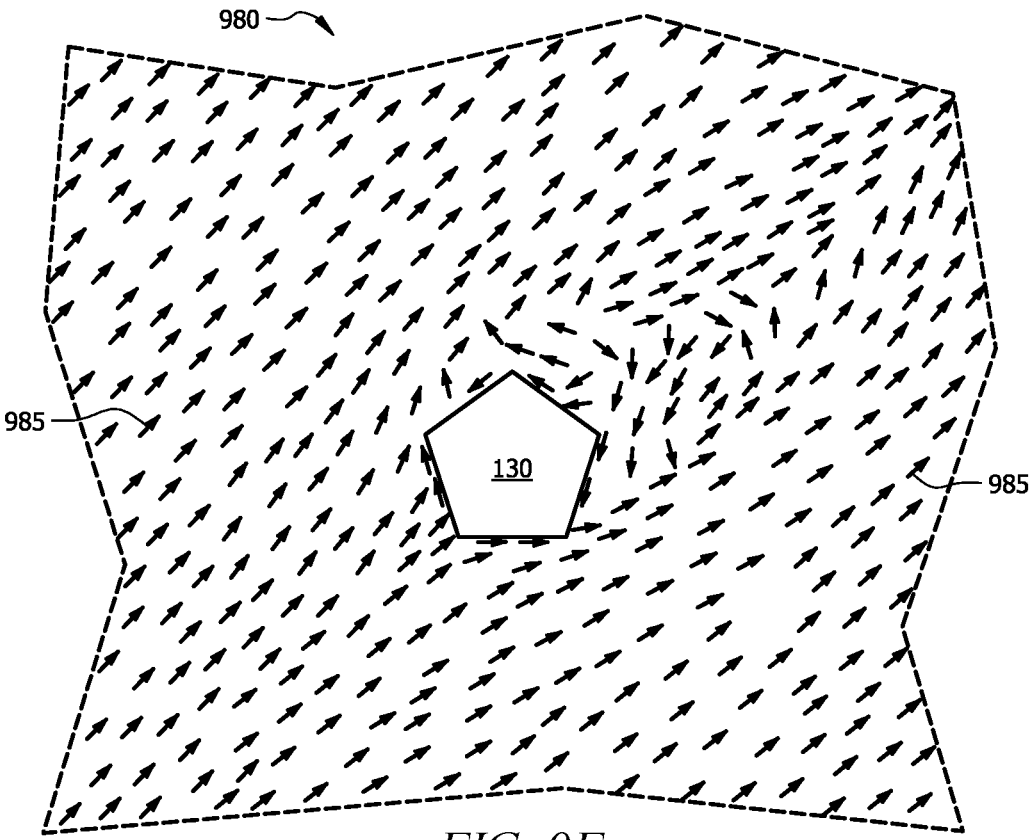


FIG. 9F

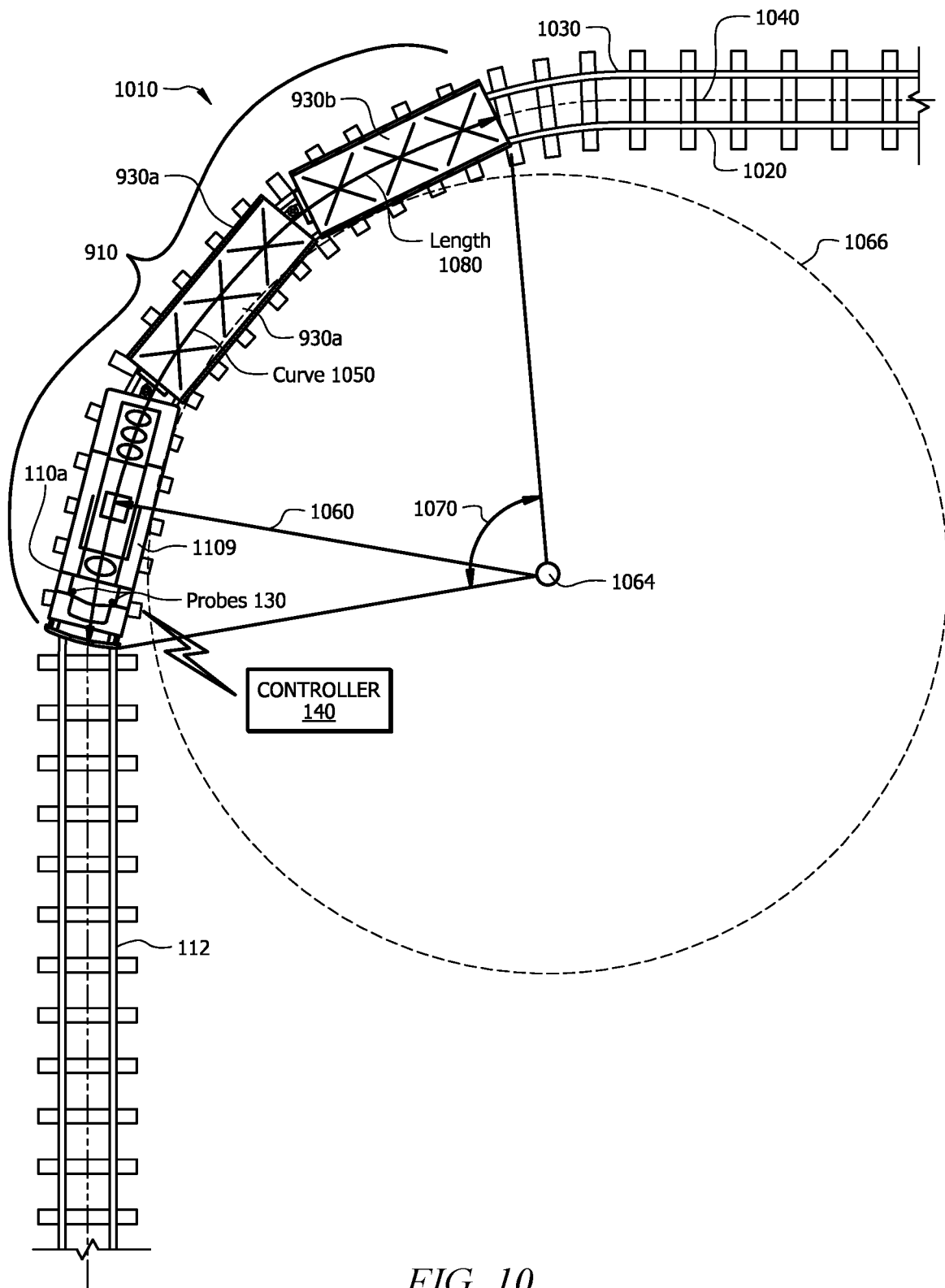


FIG. 10

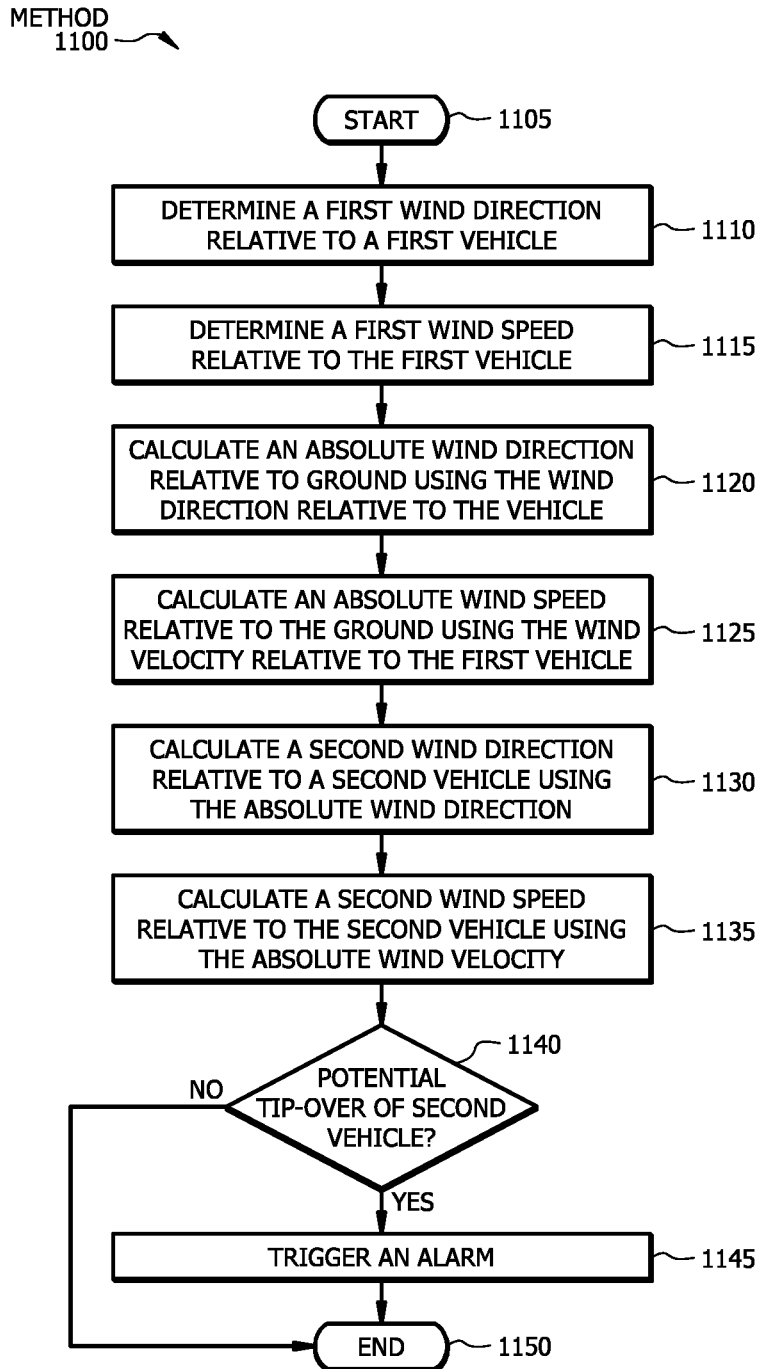


FIG. 11

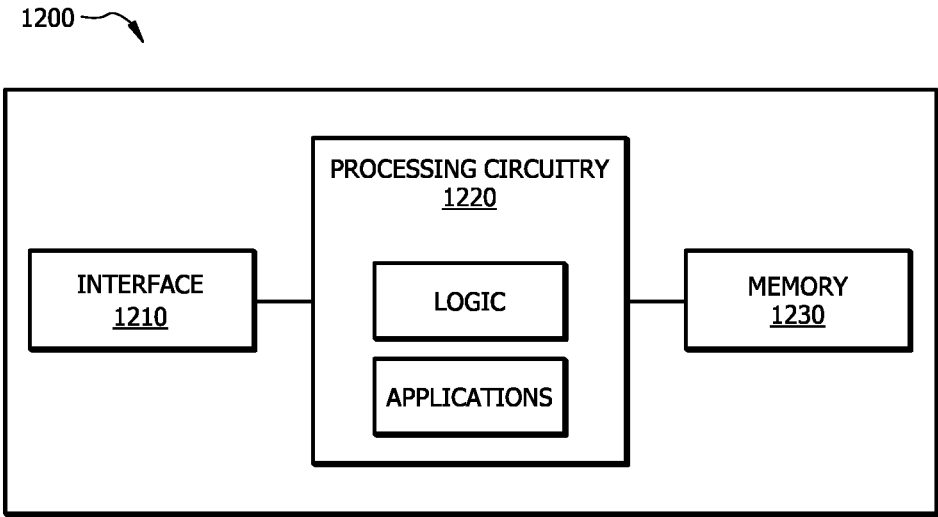


FIG. 12

1

PRESSURE SENSING PROBE

PRIORITY

This application is a continuation under 35 U.S.C. § 120 of U.S. patent application Ser. No. 16/295,240 filed Mar. 7, 2019, which is a utility filing entitled "PRESSURE SENSING PROBE", which is hereby incorporated by reference in its entirety.

TECHNICAL FIELD

This disclosure generally relates to a probe, and more specifically to a pressure sensing probe.

BACKGROUND

Under certain conditions, vehicles are susceptible to wind-induced tip-over. For example, surface pressures that occur during high wind conditions can result in forces and moments that may cause a train to derail. Currently, real-time wind speed and direction data is insufficient to make safety decisions regarding vehicle operations in potentially high and/or unknown wind conditions.

SUMMARY

According to an embodiment, a probe includes a first facet associated with a first pressure port operable to measure a first wind pressure, a second facet associated with a second pressure port operable to measure a second wind pressure, and a third facet associated with a third pressure port operable to measure a third wind pressure. The second facet is adjacent to the first facet and the third facet adjacent to the second facet. The probe further includes a fourth facet adjacent to the third facet and a fifth facet adjacent to the fourth facet and to the first facet. The first facet, the second facet, the third facet, the fourth facet, and the fifth facet are located between a first end portion and a second end portion of the probe.

According to another embodiment, a method includes measuring a first wind pressure using a first pressure port associated with a first facet of a probe, measuring a second wind pressure using a second pressure port associated with a second facet of the probe, and measuring a third wind pressure using a third pressure port associated with a third facet of the probe. The second facet is adjacent to the first facet, the third facet is adjacent to the second facet and a fourth facet, the fourth facet is adjacent to a fifth facet, and the fifth facet is adjacent to the first facet. The first facet, the second facet, the third facet, the fourth facet, and the fifth facet are located between a first end portion and a second end portion of the probe.

According to yet another embodiment, one or more computer-readable storage media embody instructions that, when executed by a processor, cause the processor to perform operations including measuring a first wind pressure using a first pressure port associated with a first facet of a probe, measuring a second wind pressure using a second pressure port associated with a second facet of the probe, and measuring a third wind pressure using a third pressure port associated with a third facet of the probe. The second facet is adjacent to the first facet, the third facet is adjacent to the second facet and a fourth facet, the fourth facet is adjacent to a fifth facet, and the fifth facet is adjacent to the first facet. The first facet, the second facet, the third facet, the

2

fourth facet, and the fifth facet are located between a first end portion and a second end portion of the probe.

Technical advantages of certain embodiments of this disclosure may include one or more of the following. The systems and methods described herein may improve safety based on rapid identification of wind conditions that may result in vehicle (e.g., train) blow-overs. Certain embodiments measure wind velocity relative to a vehicle using probes mounted to the vehicle. These wind velocity measurements may be used to determine whether wind-induced tip-over is imminent.

Certain embodiments described herein generate wind speed and wind direction data that may be communicated to vehicle operators, which enables the vehicle operators to take remedial actions such as slowing or stopping vehicles encountering dangerous wind conditions. For example, a train operator may slow down a train if the wind direction and wind speed data indicate that wind-induced tip-over is imminent or likely. The systems and methods described herein may provide a competitive advantage by more accurately identifying local wind states, which may allow vehicles that are not expected to encounter unsafe conditions to continue operations without being subjected to speed restrictions. Allowing vehicles to continue operations without being subjected to speed restrictions may provide a monetary advantage since speed restrictions can result in costly delays for transportation systems.

Certain embodiments of this disclosure utilize probes mounted to a locomotive of a train to measure wind velocity while the train is in motion. The probes may be located to fit within certain Association of American Railroads (AAR) locomotive shape and size clearances, which provides a safe and efficient wind measurement system. In certain embodiments, the probes do not have moving parts independent of the train, which increases reliability in measuring wind velocity. The systems and methods described herein may be ruggedized (e.g., hard wired) for industrial field use. Unlike many existing devices which are only accurate for headwinds, the systems and methods described herein measure both headwinds and crosswinds accurately.

The systems and methods described herein may provide real-time accurate local ambient wind speed and direction data for trains, which may reduce the number of unnecessary train stops and/or reduction of train speed caused by current less accurate high wind forecasts. The systems and methods described herein are adaptable to other modes of transportation. For example, the systems and methods described herein may be adaptable to road trucks to provide real-time in-motion wind speed and direction data to a driver and/or to a centralized database. As another example, the systems and methods described herein may be adaptable to an aircraft for enhanced measurement of headwind and crosswind during flight. As still another example, the systems and methods described herein may be adaptable to wind turbine nacelles for enhanced measurement of wind speed and direction, which may improve control and efficiency of power generation.

Other technical advantages will be readily apparent to one skilled in the art from the following figures, descriptions, and claims. Moreover, while specific advantages have been enumerated above, various embodiments may include all, some, or none of the enumerated advantages.

BRIEF DESCRIPTION OF THE DRAWINGS

To assist in understanding the present disclosure, reference is now made to the following description taken in conjunction with the accompanying drawings, in which:

FIG. 1 illustrates an example system for determining wind velocity relative to a vehicle;

FIG. 2 illustrates a side view of the vehicle of FIG. 1;

FIG. 3 illustrates a front view of the vehicle of FIG. 1;

FIG. 4 illustrates an example method for determining wind velocity relative to a vehicle;

FIG. 5 illustrates an example probe that may be used by the system of FIG. 1;

FIG. 6 illustrates an example port labeling scheme for the probe of FIG. 5;

FIGS. 7A and 7B illustrate an example method for determining wind velocity in accordance with the port labeling scheme of FIG. 6;

FIG. 8 illustrates an example communication system that may be used by the system of FIG. 1;

FIGS. 9A-9F illustrate computational fluid dynamics (CFD) simulations used to investigate the system of FIG. 1;

FIG. 9A illustrates a CFD model domain used to investigate the system of FIG. 1;

FIG. 9B illustrates a train used in the CFD model domain of FIG. 9A;

FIG. 9C illustrates a plan view of a simulated airflow around the train of FIG. 9B;

FIG. 9D illustrates a front view of a simulated airflow around the train of FIG. 9B;

FIG. 9E illustrates a perspective view of a simulated airflow around the train of FIG. 9B;

FIG. 9F illustrates a top view of a simulated airflow around a probe of FIG. 9E;

FIG. 10 illustrates an example system for determining wind velocity relative to each railroad car of a train traversing a curve of a track;

FIG. 11 illustrates an example method for determining wind velocity relative to a railroad car of a train traversing a curve of a track; and

FIG. 12 illustrates an example computer system that may be used by the systems and methods described herein.

DETAILED DESCRIPTION

Known methods for measuring ambient wind speed and direction near a moving vehicle utilize lengthy booms or other support structures to move wind sensors outside of the vehicle's influence and/or disturbed air flow. These methods may be impractical for general service since the wind sensors are located outside the normal vehicular clearance envelope or are located on booms that fit within the clearance envelopes and are used for short-term tests but are impractical for normal train operations. Ground-based anemometers may be located too far apart or too far away from the moving vehicle to provide actionable, real-time wind speed and direction data. The systems and methods described herein account for these deficiencies by measuring the ambient wind speed and direction from the moving vehicle.

The systems and methods described herein use probes attached to a vehicle to measure wind speed and direction relative to the vehicle. In certain embodiments, a controller uses wind pressures received from the probes and algorithms to calculate ambient wind speed and direction data while correcting the data for errors due to the probe locations potentially being within disturbed airflow around the vehicle. The probes are five-sided probes with pressure ports on three or four of the five sides and a reference port at an end of the probe. Differential pressures are measured between the ports, and a calibration procedure is used to

convert the differential pressure readings into wind speed and direction relative to the vehicle.

FIGS. 1 through 12 show example systems and methods for determining wind velocity relative to a vehicle. FIG. 1 shows an example system for determining wind velocity relative to a vehicle, and FIGS. 2 and 3 show a side view and a front view, respectively, of the vehicle used in FIG. 1. FIG. 4 shows an example method for determining wind velocity relative to a vehicle. FIG. 5 shows an example probe that may be used by the system of FIG. 1, FIG. 6 shows an example port labeling scheme for the probe of FIG. 5, and FIGS. 7A and 7B show an example method for determining wind velocity using the port labeling scheme of FIG. 6. FIG. 8 shows an example communication system that may be used by the system of FIG. 1. FIGS. 9A-9F show CFD simulations used to investigate the system of FIG. 1. FIG. 10 shows an example system for determining wind velocity relative to a railroad car of a train traversing a curve of a track, and FIG. 11 shows an example method that may be used by the system of FIG. 10. FIG. 12 shows an example computer system that may be used by the systems and methods described herein.

FIG. 1 illustrates an example system 100 for determining wind velocity relative to a vehicle. In the illustrated embodiment of FIG. 1, the vehicle is a locomotive 110. System 100 of FIG. 1 includes locomotive 110, tracks 112, one or more probes 130, and one or more controllers 140. System 100 or portions thereof may be associated with an entity, which may include any entity, such as a business, a company (e.g., a railway company, a transportation company, etc.), or a government agency (e.g., a department of transportation, a department of public safety, etc.). The elements of system 100 may be implemented using any suitable combination of hardware, firmware, and software. For example, the elements of system 100 may be implemented using one or more components of the computer system of FIG. 12.

Locomotive 110 represents any railed vehicle equipped to provide power for one or more railroad cars. Locomotive 110 may be used to pull the one or more railroad cars along one or more tracks 112. Locomotive 110 may operate independent of the one or more railroad cars. Locomotive 110 may pull and/or push one or more railroad cars. For example, a rear end 113 of locomotive 110 may be attached to a front end of a first railroad car of a plurality of railroad cars such that locomotive 110 pulls the one or more railroad cars. As another example, a front end 114 of locomotive 110 may be attached to a rear end of a last railroad car of a plurality of railroad cars such that locomotive 110 pushes the one or more railroad cars. As still another example, the one or more railroad cars may have first locomotive 110 attached to a front end of the one or more railroad cars and second locomotive 110 attached to the rear end of the one or more railroad cars for a push-pull operation. The one or more railroad cars may be used to transport goods (e.g., coal, grain, intermodal freight, etc.) and/or beings (e.g., humans, livestock, etc.). Locomotive 110 may be a self-propelled engine driven by electricity, diesel, battery, and/or steam power.

Locomotive 110 may include a front portion 116 and a rear portion 118. Locomotive 110 may be any suitable length measured from front end 114 to rear end 113 of locomotive 110. A centerline 150 of locomotive 110 represents an imaginary line drawn perpendicular to a mid-point of the length of locomotive 110. Front portion 116 of locomotive 110 represents the portion of locomotive 110 from centerline 150 to front end 114 of locomotive 110 and rear portion 118 of locomotive 110 represents the portion of locomotive 110

from centerline **150** to rear end **113** of locomotive **110**. Driver's compartment **122** of locomotive **110** represents the portion of locomotive **110** that houses controls necessary to operate locomotive **110** and/or one or more train operators (e.g., a driver, an engineer, a fireman, a driver's assistant, and the like). Driver's compartment **122** of locomotive **110** is located in first portion **116** of locomotive **110**.

One or more probes **130** are coupled to locomotive **110**. Probes **130** of system **100** represent instruments used to measure wind pressure. Each probe **130** includes one or more ports (e.g., pressure ports **550** of FIG. **5**). Each probe **130** directly outputs pressures associated with each of the one or more ports. One or more pressure lines (see, e.g., pressure lines **810** of FIG. **8**) may be hard wired to each probe **130** to communicate information to controller **140**. Each probe **130** may include one or more sensors operable to communicate information to controller **140**. Probes **130** are coupled to locomotive **110** such that at least one probe **130** is not located within an aerodynamic separation zone under any relative wind angle. The relative wind angle may be applied over 360 degrees of relative wind angles. Separation zones may form as airflow separates from the body of locomotive **110** and re-attaches at a region further downwind of locomotive **110**. Separation zones are discussed in more detail in FIGS. **9A-9F** below.

Each probe **130** is attached to an outer surface of locomotive **110**. Probes **130** may be attached to an outer surface of front portion **116** of locomotive **110**. For example, probes **130** may be attached to an outer surface of driver's compartment **122** of locomotive **110**. Probes **130** may be attached to a top surface of locomotive **110**. The top surface of locomotive **110** is the outer surface of locomotive **110** that is visible in a plan view of locomotive **110**. In the illustrated embodiment of FIG. **1**, the top surface of driver's compartment **122** includes a top flat surface **124** and two top angled surfaces **126** that slope downward toward tracks **112**. Each top angled surface **126** shares an edge with top flat surface **124**.

In the illustrated embodiment of FIG. **1**, probes **130** of system **100** include probe **130a** and probe **130b**. Probe **130a** is located near the intersection of front end **114**, top angled surface **126**, and a side surface **128** of locomotive **110**. Probe **130b** may be similarly located on an opposite side of locomotive **110** such that a location of probe **130b** mirrors the location of probe **130a** about longitudinal axis **160** of locomotive **110**.

Controller **140** of system **100** represents any suitable computing component that may be used to process information for system **100**. Controller **140** may coordinate one or more components of system **100**. Controller **140** may receive data (e.g., wind pressure data) from one or more probes **130** of system **100**. Controller **140** may include a communications function that allows users (e.g., a technician, an administrator, a driver, a vehicle operator, etc.) to communicate with one or more components of system **100** directly. For example, controller **140** may be part of a computer (e.g., a laptop computer, a desktop computer, a smartphone, a tablet, etc.), and a user may access controller **140** through an interface (e.g., a screen, a graphical user interface (GUI), or a panel) of the computer. Controller **140** may communicate with one or more components of system **100** via a network (e.g., network **890** of FIG. **8**). Controller **140** may be located inside locomotive **110**. For example, controller **140** may be located in driver's compartment **122** of locomotive **110**. In certain embodiments, controller **140** may be located exterior to locomotive **110**. For example, controller **140** may operate in a cloud computing system.

Controller **140** may determine wind direction and/or wind speed relative to a vehicle (e.g., locomotive **110**) of system **100** using information received from probes **130**. Controller **140** may determine wind direction and/or wind speed relative to the vehicle when the vehicle is in motion. For example, controller **140** may determine wind direction and/or wind speed relative to locomotive **110** in real-time or near real-time as locomotive **110** moves at a calculated speed along track **112**. Controller **140** may predict wind-induced tip-over of a vehicle (e.g., the locomotive and/or following cars) based on the determined wind direction and/or wind speed. Wind conditions resulting in tip-over may be determined using CFD simulations, wind tunnel tests, field tests, and the like.

Controller **140** may communicate the determined wind direction and/or wind speed to the entity associated with system **100**. For example, controller **140** may communicate the determined wind direction and/or wind speed to an operator (e.g., an operating crew) of locomotive **110**. As another example, controller **140** may communicate the determined wind direction and/or wind speed to a back-office system of the entity associated with system **100** to assist in the back office's decision making processes.

In certain embodiments, controller **140** may use the determined wind direction and/or wind speed to verify and/or validate weather information received from one or more weather sources. For example, controller **140** may verify and/or validate forecasted weather data (e.g., forecasted high winds) received from one or more weather sources. This validation process may save time and money by eliminating or reducing the need to dispatch personnel with hand-held anemometers to locations of forecasted high winds. The determined wind direction and/or wind speed provides local conditions at the vehicle (e.g., locomotive **100**) at all locations. These conditions may be different from conditions at wayside stations due to impact of local topography, such as canyons, elevated sections of track, hills, and adjacent structures.

In operation, probe **130a** and probe **130b** coupled to locomotive **110** measure wind pressures while locomotive **110** is in motion and communicate the wind pressures to controller **140**. Controller **140** receives the wind pressure measurements from probe **130a** and probe **130b** and determines a wind angle and a wind speed relative to locomotive **110** using the one or more wind pressure measurements. Controller **140** communicates the wind angle and wind speed to an operator of locomotive **110** to enable the operator to take corrective actions as needed based on the wind angle and the wind speed. For example, the operator may decrease the speed of locomotive **110** to prevent a potential tip-over of locomotive **110**. As such, system **100** of FIG. **1** determines wind angle and wind speed relative to locomotive **110**, which may prevent a wind-induced tip-over of locomotive **110**.

Although FIG. **1** illustrates a particular arrangement of locomotive **110**, probe **130a**, probe **130b**, and controller **140**, this disclosure contemplates any suitable arrangement of locomotive **110**, probe **130a**, probe **130b**, and controller **140**. Locomotive **110**, probe **130a**, probe **130b**, and controller **140** of system **100** may be physically or logically co-located with each other in whole or in part.

Although FIG. **1** illustrates a particular number of locomotives **110**, probes **130**, and controllers **140**, this disclosure contemplates any suitable number of locomotives **110**, probes **130**, and controllers **140**. For example, more than two probes **130** may be attached to locomotive **110**. As another

example, locomotive **110** may be part of a train that includes more than one locomotive **110** and/or one or more railroad cars.

Modifications, additions, or omissions may be made to system **100** depicted in FIG. 1. System **100** may include more, fewer, or other components. For example, locomotive **110** of system **100** may be replaced with any suitable component used for transportation such as an automobile, a railroad car, a truck, a bus, an aircraft, a shipping vessel, and the like. As another example, locomotive **110** of system **100** may be any suitable shape.

FIG. 2 illustrates a side view **200** of locomotive **110** of FIG. 1. The illustrated embodiment of FIG. 2 includes locomotive **110** and probe **130a**. Locomotive **110** includes front end **114**, driver's compartment **122**, top flat surface **124**, and top angled surface **126**. Probe **130a** is located at a corner of top angled surface **126**.

Probe **130a** is physically attached to an outer surface of locomotive **110**. Probe **130a** may be physically attached to the outer surface of locomotive **110** using one or more magnets, welds, bolts, adhesives, tape, and the like. Probe **130a** may be physically attached to locomotive **110** such that probe **130a** is fixed in position to locomotive **110**. Probe **130a** may be restricted from movement independent of locomotive **110**. In certain embodiments, probe **130a** has no moving parts independent of locomotive **110**. Moving parts require more maintenance and are more prone to failure than non-moving parts, especially when poor weather conditions are present. Rugged moving parts are generally not delicate, which is required for accurate measurements.

Probe **130a** may be made of metal (e.g., nickel, titanium, copper, iron, steel (e.g., stainless steel), aluminum, etc.), plastic, fabric, a combination thereof, or any other suitable material. Probe **130a** may be made of a material that can withstand sun, rain, hail, wind, snow, ice, sleet, and/or other weather conditions. Probe **130a** may include one or more components operable to account for one or more weather conditions. For example, probe **130a** may include a defrosting component.

Although FIG. 2 illustrates a particular arrangement of locomotive **110** and probe **130a**, this disclosure contemplates any suitable arrangement of locomotive **110** and probe **130a**. Although FIG. 2 illustrates a particular number of locomotives **110** and probes **130a**, this disclosure contemplates any suitable number of locomotives **110** and probes **130a**. Modifications, additions, or omissions may be made to side view **200** depicted in FIG. 2. For example, locomotive **110** may be replaced with any suitable component used for transportation such as an automobile, a railroad car, a truck, a bus, an aircraft, a shipping vessel, and the like. As another example, side view **200** may be mirrored such that probe **130a** is replaced with probe **130b** of FIG. 1. Side view **200** of locomotive **110** may include more, fewer, or other components.

FIG. 3 illustrates a front view **300** of locomotive **110** of FIG. 1. Front view **300** includes locomotive **110** and probes **130**. Front end **114** of locomotive **110** includes the components of locomotive **110** illustrated in front view **300**. As shown, probe **130a** is located on one side of centerline **150** of locomotive **110** and probe **130b** is located on an opposite side of centerline **150** of locomotive **110**. Each probe **130** is operable to measure wind angles over a range of 180 degrees.

Each probe **130** is coupled to locomotive **110** such that each probe **130** is located within a clearance plate set by AAR Plate M **310** for the AAR Mechanical Division. Rolling stock in the rail industry that fits within AAR

clearance plates is guaranteed safe clearance through known tunnels and past other known obstructions. For locomotive **110**, the relevant clearance plate is AAR Plate M **310**.

AAR Plate M **310** specifies a maximum height **320** and a maximum width **330** for cars. AAR Plate M **310** illustrates a car cross-section that tapers at each top corner. A compliant car (e.g., locomotive **110**) must fit within the illustrated cross-section. Accordingly, a compliant car is not permitted to fill an entire rectangle of the maximum height **320** and maximum width **330**. The maximum height **320** for plate M is approximately 16'-0" as measured from 2½ inches above the top of the rail of track **112**, and the maximum width **330** for plate M is 10'-8".

To comply with AAR Plate M **310**, probe **130a** and probe **130b** each extend a maximum distance (e.g., eight inches) from an outer surface of locomotive **110**. The maximum distance depends on the size of locomotive **110** relative to the clearance plate dimensions of AAR Plate M **310**. Probe **130a** and probe **130b** each extend in a direction perpendicular to the outer surface of locomotive **110**. In some embodiments, probe **130a** and/or probe **130b** may extend from the outer surface of locomotive **110** at an angle. For example, probe **130a** and/or probe **130b** may extend vertically such that probe **130a** and/or probe **130b** extend perpendicular to a longitudinal axis (e.g., longitudinal axis **160** of FIG. 1) of locomotive **110**.

Although FIG. 3 illustrates a particular arrangement of locomotive **110** and probes **130**, this disclosure contemplates any suitable arrangement of locomotive **110** and probes **130**. Although FIG. 3 illustrates a particular number of locomotives **110** and probes **130**, this disclosure contemplates any suitable number of locomotives **110** and probes **130**. For example, front view **300** may include more than two probes **130** (e.g., two probes **130** on either side of centerline **150**). Modifications, additions, or omissions may be made to front view **300** depicted in FIG. 3. Front view **300** of locomotive **110** may include more, fewer, or other components.

FIG. 4 illustrates an example method **400** for determining wind velocity relative to a vehicle. Method **400** begins at step **410**. At step **420**, a controller (e.g., controller **140** of FIG. 1) receives wind pressure measurements from one or more probes (e.g., probe **130a** and probe **130b** of FIG. 1) coupled to a vehicle (e.g., locomotive **110** of FIG. 1). For example, the controller may include transducers (e.g., transducers **820** of FIG. 8), and the transducers may receive wind pressure measurements from one or more ports of the one or more probes. Method **400** then advances to step **430**.

At step **430**, the controller determines a wind angle relative to the vehicle using the wind pressure measurements received from the one or more probes. The controller may determine the wind angle relative to the vehicle using the method of FIGS. 7A and 7B described below. At step **440**, the controller determines a wind speed relative to the vehicle using the wind pressure measurements and the wind angle. The controller may determine the wind speed relative to the vehicle using the method of FIGS. 7A and 7B below.

At step **450**, the controller determines a type of vehicle. For example, the controller may determine a specific model of the vehicle (e.g., a specific model of a locomotive). The controller may receive information associated with a specific model of the vehicle such as a height of the vehicle, a width of the vehicle, a length of the vehicle, a shape of the vehicle, one or more components attached to the vehicle, and the like. At step **460**, the controller determines a weight of the vehicle. The controller may determine the weight of the vehicle using the information associated with the specific model of the vehicle. Method **400** then advances to step **470**.

At step 470, the controller determines whether the vehicle has potential for wind-induced tip-over. The controller may determine whether the vehicle has potential for wind-induced tip-over based on the wind angle relative to the vehicle, the wind speed relative to the vehicle, the type of vehicle, the weight of the vehicle, a combination thereof, or any other suitable factor. For example, the controller may calculate a tipping moment for a locomotive and compare the tipping moment to a restoring moment. The restoring moment is the weight of the locomotive times the horizontal distance from the centerline of the locomotive to the rail. The tipping moment may be determined by comparing relative wind speed and direction to a lookup table based on previous aerodynamic studies for the particular vehicle (e.g., a CFD or wind tunnel study). If the tipping moment is greater than the restoring moment, the vehicle tips. More sophisticated models may include track inputs (e.g., non-smoothness), vehicle suspension details, vehicle rocking and swaying, and the like.

If the controller determines that the vehicle does not have potential for tip-over, method 400 advances from step 470 to step 490, where method 400 ends. If the controller determines that the vehicle has potential for tip-over, method 400 advances from step 470 to step 480, where the controller triggers an alarm. Triggering the alarm may send one or more signals (e.g., a verbal or written message) to an operator of the vehicle. For example, triggering the alarm may send a message to an operator of a locomotive to decrease the speed of the locomotive. In certain embodiments, triggering the alarm may initiate one or more automated actions. The automated actions may include decreasing the speed of the vehicle, stopping the vehicle, activating a siren, changing a direction of the vehicle, and the like. Method 400 then advances from step 480 to step 490, where method 400 ends.

Modifications, additions, or omissions may be made to method 400 depicted in FIG. 4. Method 400 may include more, fewer, or other steps. For example, method 400 may include determining one or more separation zones associated with the vehicle and physically attaching at least one probe to the vehicle outside of the one or more separation zones. As another example, method 400 may include determining one or more clearance plate standards associated with the vehicle and physically attaching the one or more probes to the vehicle such that the locations of the probes comply with the one or more clearance plate standards. As still another example, method 400 may include determining, at step 470, whether each vehicle in a series of vehicles (e.g., a series of railroad cars) has potential for wind-induced tip-over based on the wind angle and wind speed relative to each vehicle. Steps may be performed in parallel or in any suitable order. While discussed as specific components completing the steps of method 400, any suitable component may perform any step of method 400.

FIG. 5 illustrates a probe 130 that may be used by system 100 of FIG. 1. Probe 130 of FIG. 5 may represent probe 130a and/or probe 130b of FIG. 1. Probe 130 is an instrument used to measure wind velocity. As air flow passes over and around probe 130, the shape of probe 130 dictates a velocity pattern on an outer surface of probe 130. Probe 130 includes multiple facets 510 and multiple pressure ports 550. Pressure ports 550 of probe 130 are used to measure static pressures. By comparing the static pressures at the various pressure ports 550 of probe 130, a measurement of wind velocity can be determined.

Probe 130 includes five facets 510. Each facet 510 of probe 130 may be a machined, flat surface. Two or more

facets 510 may be equal in width, length, size, shape, or a combination thereof. In certain embodiments, two or more facets 510 may be different in width, length, size, shape, or a combination thereof. A cross section of probe 130 has an outer shape of a pentagon. The pentagon may be a regular pentagon with equal sides and angles. The pentagon may be an irregular pentagon with unequal sides and/or angles. A five-sided probe 130 may offer optimal performance with the fewest pressure differentials, which may minimize cost. In alternative embodiments, probe 130 may include more or less than five facets 510 (e.g., three, four, or six facets 510). For example, probe 130 may include six facets 510 and have a cross-sectional shape of a hexagon. In certain embodiments, probe 130 may have one or more outer curved surfaces. For example, a cross section of probe 130 may have an outer shape of a circular cylinder.

Overall length 512 of probe 130 may be limited by one or more standards (e.g., the AAR standard). For example, overall length 512 of probe 130 may be a maximum of eight inches to fit within the clearance plate associated with AAR plate M. Probe 130 may have any suitable thickness. For example, a maximum thickness of probe 130 may be between two and three inches.

Probe 130 includes a tip 520, a main body 530, and a base 540. Tip 520 of probe 130 has a shape of a spherical cone. A joint between tip 520 and each facet 510 of probe 130 forms a rounded edge. Tip 520 may be any suitable size and shape to accurately determine wind pressure relative to a vehicle. For example, tip 520 may be faceted in certain embodiments. Length 522 of tip 520 may be between 10 and 25 percent of length 512 of probe 130. In certain embodiments, length 522 of tip 520 is within a range of one and two inches.

Main body 522 of probe 130 includes facets 510. Main body 522 has a shape of a regular pentagon. Main body 522 may be any suitable size or shape to accurately determine wind velocity relative to a vehicle. Length 532 of main body 522 may be between 50 and 75 percent of overall length 512 of probe 130. In certain embodiments, length 532 of main body 522 is within a range of four to six inches.

Base 540 of probe 130 has a shape of a cylinder. Base 540 may be any suitable size or shape to accurately determine wind velocity relative to a vehicle. Length 542 of base 540 may be between 20 and 40 percent of overall length 512 of probe 130. In certain embodiments, length 532 of main body 522 is within a range of two to three inches. An outer edge of an end of base 540 attaches to a face of an end of main body 530 such that a joint between main body 530 and base 540 of probe 130 forms a perpendicular edge.

Tip 520, main body 530, and base 540 of probe 130 may be the same material (e.g., metal, plastic, fabric, etc.). In some embodiments, tip 520, main body 530, and base 540 of probe 130 may be different materials. Tip 520, main body 530, and base 540 of probe 130 may be manufactured as a single unit and/or in parts.

Pressure ports 550 of probe 130 are holes in probe 130 used to measure wind pressure (e.g., static pressure), wind speed, and/or wind direction. For example, pressure ports 550 may measure wind pressure, and a comparison of the relative pressure differentials between pressure ports 550 may be used to determine wind angle and/or wind speed relative to a vehicle. Probe 130 may include one or more pressure sensors to measure pressure at pressure ports 550. For example, each pressure port 550 may have its own pressure sensor to measure pressure at that particular port.

Pressure ports 550 may be located on one or more facets 510 of probe 130. For example, three facets 510 of probe

130 may each include a single pressure port 550, whereas the remaining two facets 510 of probe 130 do not include a pressure port 550. Tip 520 may include a pressure port 550. For example, an end of tip 520 located furthest away from main body 530 of probe 130 may include one pressure port 550. Pressure port 550 at tip 520 may be used to measure a reference pressure. The location of the reference pressure port 550 at the end of tip 520 of probe 130 may provide the most ideal location on probe 130 for measuring reference pressure because this location may be relatively insensitive to wind angle. Pressure ports 550 are described in more detail in FIG. 6 below.

Although FIG. 5 illustrates a particular arrangement of facets 510, tip 520, main body 530, base 540, and pressure ports 550, this disclosure contemplates any suitable arrangement of facets 510, tip 520, main body 530, base 540, and pressure ports 550. Modifications, additions, or omissions may be made to probe 130 depicted in FIG. 5. Probe 130 may include more, fewer, or other components. Probe 130 may have more or less than five facets 510. Tip 520, main body 530, and/or base 540 of probe 130 may have any suitable shape for measuring wind speed and/or direction. For example, main body 530 of probe 130 may have a cylindrical cross-sectional shape. In certain embodiments, probe 130 may not include tip 520 and/or base 540. One or more components of probe 130 may be implemented using one or more components of the computer system of FIG. 12.

FIG. 6 illustrates a port labeling scheme 600 for probes 130 of FIG. 1. Port labeling scheme 600 may be used by the method of FIGS. 7A and 7B to determine wind direction and wind speed relative to a vehicle. Port labeling scheme 600 shows a schematic plan view of locomotive 110, probe 130a, and probe 130b. In the illustrated embodiment, locomotive 110 is traveling in a direction 610 along longitudinal axis 160 of locomotive 110. Locomotive 110 includes a front side 620, a first side 630, and a second side 640. Front side 620 is located at a front end of locomotive 110.

Probe 130a includes five facets (see, e.g., facets 510 of FIG. 5). The five facets of probe 130a include facet 1a, facet 2a, facet 3a, facet 4a, and facet 5a. Facet 1a is adjacent to facet 2a, facet 2a is adjacent to facet 3a, facet 3a is adjacent to facet 4a, facet 4a is adjacent to facet 5a, and facet 5a is adjacent to facet 1a of probe 130a. Facets 1a, 2a, 3a, 4a, and 5a are connected to form a pentagon. In the illustrated embodiment, facet 2a and first side 630 of locomotive 110 face the same direction. Facets 1a, 2a, and 3a of probe 130a face away from longitudinal axis 160 of locomotive 110 and facets 4a and 5a face toward longitudinal axis 160 of locomotive 110. As such, facets 1a, 2a, and 3a of probe 130a can measure wind angles over a range of zero to 180 degrees.

Probe 130a includes pressure ports (see, e.g., pressure ports 550 of FIG. 5). The pressure ports are used to measure static pressure. The pressure ports of probe 130a include port 1a, port 2a, port 3a, and port 4a. Port 1a is located on facet 1a, port 2a is located on facet 2a, and port 3a is located on facet 3a. In the illustrated embodiment, facets 4a and 5a of probe 130a do not have pressure ports. Pressure ports are not included on facets 4a and 5a in this embodiment because facets 4a and 5a are frequently in a separation zone as locomotive 110 of FIG. 1 travels in direction 610 and are thus not useful. Port 4a is located on the top (e.g., top center) of probe 130a when viewing probe 130a in plan view. Port 4a may be used as a reference pressure measurement.

Similar to probe 130a, probe 130b includes five facets (see, e.g., facets 510 of FIG. 5). The five facets of probe 130b include facet 1b, facet 2b, facet 3b, facet 4b, and facet

5b. Facet 1b is adjacent to facet 2b, facet 2b is adjacent to facet 3b, facet 3b is adjacent to facet 4b, facet 4b is adjacent to facet 5b, and facet 5b is adjacent to facet 1b. Facets 1b, 2b, 3b, 4b, and 5b are connected to form a pentagon. In the illustrated embodiment, facet 2b and second side 640 of locomotive 110 face the same direction. Facets 1b, 2b, and 3b of probe 130b face away from longitudinal axis 160 of locomotive 110 and facets 4b and 5b face toward longitudinal axis 160 of locomotive 110. As such, facets 1b, 2b, and 3b of probe 130b can measure wind angles over a range of zero to 180 degrees. The combination of facets 1a, 2a, and 3a of probe 130a and facets 1b, 2b, and 3b of probe 130b can measure wind angles over a range of zero to 360 degrees.

Similar to probe 130a, probe 130b includes pressure ports (see, e.g., pressure ports 550 of FIG. 5). The pressure ports of probe 130b include port 1b, port 2b, port 3b, and port 4b. Port 1b is located on facet 1b, port 2b is located on facet 2b, and port 3b is located on facet 3b. In the illustrated embodiment, facets 4b and 5b of probe 130b do not have pressure ports. Port 4b is located on the top (e.g., top center) of probe 130b when viewing probe 130b in plan view. Port 4b may be used as a reference pressure measurement.

Although FIG. 6 illustrates a particular arrangement of facets and pressure ports within port labeling scheme 600, this disclosure contemplates any suitable arrangement of facets and ports within port labeling scheme 600 that can be used to accurately determine wind angle and wind speed relative to a vehicle. Modifications, additions, or omissions may be made to port labeling scheme 600 depicted in FIG. 6. Port labeling scheme 600 may include more, fewer, or other components. For example, probe 130a and/or probe 130b of port labeling scheme 600 may have more or less than five facets (e.g., three, four, or six facets). As another example, each probe 130 of port labeling scheme 600 may have more or less than four pressure ports.

Although FIG. 6 illustrates a particular number of probes 130 within port labeling scheme 600, this disclosure contemplates any suitable number of probes 130 within port labeling scheme 600 that can be used to accurately determine wind angle and wind speed relative to a vehicle. For example, port labeling scheme 600 may be used for an aerodynamic vehicle such that a single probe 130a with pressure ports on all facets may be used to accurately determine wind angle and wind speed relative to the vehicle over a full 360 degrees.

FIGS. 7A and 7B illustrate a method 700 for determining wind velocity in accordance with the port labeling scheme of FIG. 6. FIGS. 7A and 7B may be used by system 100 of FIG. 1 to determine wind velocity relative to locomotive 110. Method 700 starts at step 705. At step 710, a controller (e.g., controller 140 of FIG. 1) determines air pressures associated with facets of a first probe. The controller determines a first facet pressure p_{1a} , a second facet pressure p_{2a} , and a third facet pressure p_{3a} associated with a port of a first facet, a port of a second facet, and a port of a third facet, respectively, of the first probe (e.g., ports 1a, 2a, and 3a, respectively, of probe 130a of FIG. 6). The controller further determines a reference pressure p_{4a} associated with a port at an end of the first probe (e.g., port 4a of probe 130a of FIG. 6).

At step 715, the controller determines air pressures associated with facets of a second probe. The controller determines a first facet pressure p_{1b} , a second facet pressure p_{2b} , and a third facet pressure p_{3b} associated with a port of a first facet, a port of a second facet, and a port of a third facet, respectively, of the second probe (e.g., ports 1b, 2b, and 3b, respectively, of probe 130b of FIG. 6). The controller further

determines a reference pressure p_{4b} associated with a port at an end of the second probe (e.g., port **4b** of probe **130b** of FIG. **6**).

At step **720**, the controller determines pressure differentials between each facet pressure and the reference pressure associated with the first probe. Pressure differentials are calculated by taking a difference between values associated with two pressures. For the first probe, the controller determines a first reference differential ($p_{1a}-p_{4a}$) between first facet pressure p_{1a} and reference pressure p_{4a} associated with the first probe, a second reference differential ($p_{2a}-p_{4a}$) between the second facet pressure p_{2a} and the reference pressure p_{4a} associated with the first probe, and a third reference differential ($p_{3a}-p_{4a}$) between the third facet pressure p_{3a} and the reference pressure p_{4a} associated with the first probe.

At step **725**, the controller determines pressure differentials between each facet pressure and the reference pressure associated with the second probe. The controller determines a first reference differential ($p_{1b}-p_{4b}$) between the first facet pressure p_{1b} and the reference pressure p_{4b} associated with the second probe, a second reference differential ($p_{2b}-p_{4b}$) between the second facet pressure p_{2b} and the reference pressure p_{4b} associated with the second probe, and a third reference differential ($p_{3b}-p_{4b}$) between the third facet pressure p_{3b} and the reference pressure p_{4b} associated with the second probe. Method **700** then advances to step **730**.

At step **730**, the controller compares a facet pressure of the first probe to a facet pressure of the second probe to determine whether to use pressure differentials associated with the first probe or the second probe to calculate wind velocity. In certain embodiments, the probe that is not selected for use in determining wind velocity may be located in a separation zone, whereas the selected probe may be located outside of the separation zone and may therefore more accurately determine wind velocity. The controller determines a pressure differential ($p_{2b}-p_{2a}$) between second facet pressure p_{2a} of the first probe and second facet pressure p_{2b} of the second probe. Method **700** then advances to step **735**.

At step **735**, the controller determines whether the pressure differential is greater than zero ($(p_{2b}-p_{2a})>0$). If the pressure differential is greater than zero, method **700** advances from step **735** moves to step **740**, where the controller selects the second probe and uses pressures associated with the second probe to determine wind velocity. If the pressure differential is not greater than zero at step **735**, then the controller advances to step **745**, where the controller selects the first probe and uses pressures associated with the first probe to determine wind velocity. Method **700** advances from step **740** and step **745** to step **750**.

At step **750**, the controller determines whether the first reference differential is greater than the second reference differential of the selected probe ($(p_{1s}-p_{4s})>(p_{2s}-p_{4s})$). The selected probe represents either the first probe or the second probe selected in step **740** or step **745** above. If the first reference differential is greater than the second reference differential of the selected probe, then method **700** advances from step **750** to step **755**, where the controller determines a first rotational differential ($p_{1s}-p_{2s}$) between the first facet pressure p_{1a} and the second facet pressure p_{2a} of the selected probe. At step **760**, the controller determines an angular coefficient k_a by dividing the first reference differential by the first rotational differential ($(p_{1s}-p_{2s})/(p_{1s}-p_{4s})$). Angular coefficient k_a is functionally related to the wind angle such that the wind angle is $f(k_a)$. The function is relatively insensitive to wind speed. The relationship of k_a to the wind

angle may be irregular and a curve fit may be employed. The process of finding the curve fit will id determined during a calibration process.

After determining the wind angle at step **760**, method **700** advances to step **765**, where the controller calculates wind velocity V_w relative to a vehicle (e.g., locomotive **110** of FIG. **1**) using the following formula: $V_w = \sqrt{(p_{1s}-p_{4s})/\rho}$. Value K_v represents a velocity calibration coefficient that is determined as a function of the wind angle. The functional relationship is determined by the calibration process. Value ρ represents air density that is determined based on the atmospheric air pressure and a temperature. The atmospheric air pressure and temperature are associated with the vehicle and may be determined using one or more components (e.g., an atmospheric pressure device and a temperature sensor) of the communication system of FIG. **8** discussed below. Method **700** advances from step **765** to step **798**, where method **700** ends.

At step **750**, if the controller determines that the first reference differential is not greater than the second reference differential of the selected probe, then method **700** advances from step **750** to step **770**, where the controller determines whether the second reference differential is greater than the third reference differential of the selected probe (e.g., $(p_{2a}-p_{4a})>(p_{3a}-p_{4a})$). If the second reference differential is greater than the third reference differential of the selected probe, then the controller advances from step **770** to step **775**, where the controller determines a second rotational differential (e.g., $p_{1s}-p_{3s}$) between the first facet pressure (e.g., p_{1a}) and the third facet pressure (e.g., p_{3a}) of the selected probe. The controller may determine a third rotational differential (e.g., $p_{2s}-p_{3s}$) between the second facet pressure (e.g., p_{2a}) and the third facet pressure (e.g., p_{3a}) of the selected probe. Method **700** then advances to step **780**.

At step **780**, the controller determines angular coefficient k_a by dividing the second reference differential of the selected probe by the second rotational differential ($(p_{1s}-p_{3s})/p_{2s}-p_{4s}$). In certain embodiments, the controller may determine angular coefficient k_a by dividing the second reference differential of the selected probe by the third rotational differential ($(p_{2s}-p_{3s})/p_{2s}-p_{4s}$). The selection of whether to use the second or third rotational differential at step **780** may be arbitrary. Method **700** then advances from step **780** to step **785**, where the controller calculates wind velocity V_w using the following formula: $V_w = K_v \sqrt{(p_{2s}-p_{4s})/\rho}$. Method **700** then advances from step **785** to step **798**, where method **700** ends.

At step **770**, if the controller determines that the second reference differential is not greater than the third reference differential of the selected probe (e.g., $(p_{2a}-p_{4a})>(p_{3a}-p_{4a})$), then the controller advances from step **770** to step **790**, where the controller determines a fourth rotational differential (e.g., $p_{3s}-p_{2s}$) between the third facet pressure (e.g., p_{3a}) and the second facet pressure (e.g., p_{2a}) of the selected probe. Method **700** then advances to step **795**.

At step **795**, the controller determines angular coefficient k_a by dividing the third reference differential of the selected probe by the fourth rotational differential ($(p_{3s}-p_{2s})/p_{3s}-p_{4s}$). Method **700** then advances from step **795** to step **796**, where the controller calculates wind velocity V_w using the following formula: $V_w = K_v \sqrt{(p_{2s}-p_{4s})/\rho}$. Method **700** then advances from step **796** to step **798**, where method **700** ends.

As such, method **700** compares pressure differentials between each facet pressure and a reference pressure of a probe to determine an approximate wind direction. These pressure differentials are called reference differentials. A rotational differential, which is a pressure differential

between various facet pressures, is divided by the selected reference differential to determine the angular coefficient. The angular coefficient is functionally related to the wind angle. The wind angle is in turn functionally related to the velocity calibration coefficient, which is used to determine wind velocity. The wind velocity is relative to the vehicle upon which the probe is attached.

Each probe is calibrated prior to determining wind velocity. One or more facets of each probe may be calibrated separately over a predetermined wind angle range. For example, facets *1a*, *2a*, and *3a* of probe *130a* of FIG. 6 may be calibrated to cover a range of 0 degrees to 180 degrees of wind angle. Each probe is inserted into a wind tunnel and rotated relative to the flow direction. Probe calibration is performed at one or more wind tunnel velocities (e.g., 50 miles per hour). Pressure differentials are read for all test points prior to processing. Calibration wind velocities are selected in relation to one or more purposes of the system. For example, if the purpose of the system is to prevent wind induced tip-overs of a railroad car, then the calibration may be performed at the lowest wind speed capable of tipping an empty railroad car.

When all data are taken, an analyst calibrates the data. Data received from the wind tunnel system are used to associate the known wind angles with measured pressure differentials for each facet with a port. The calibration of each face extends a certain amount (e.g., one point) beyond the determined limits. Each facet with a port is calibrated separately. Each calibration is a curve fit of the parameters calculated from data taken in the wind tunnel. A human (e.g., an analyst) or a machine (e.g., a processor) may calibrate the wind tunnel data.

The relative wind angle and wind speed measured directly by the probe will differ from the actual relative wind angle and direction due to the presence of the body of the vehicle (e.g., the locomotive body.) A correlation between measured wind speed and wind direction (i.e., wind speed and wind direction at the probe location) versus actual relative wind speed and direction (i.e., wind speed and direction relative to the vehicle as a whole) is determined. The preliminary body correction may be determined using a CFD model, one or more lookup tables, etc. The preliminary body correction may be different for each vehicle type and each probe position.

The method for determining the preliminary body correction may be tested using a specially instrumented test vehicle (e.g., locomotive) to validate and/or improve the preliminary body correction. This correction may then be considered valid for every vehicle of that specific model unless probe locations change.

Modifications, additions, or omissions may be made to method **700** depicted in FIGS. 7A and 7B. For example, method **700** may determine facet pressures for more or less than two probes. As another example, method **700** may determine more or less than three facet pressures and one reference pressure for each probe. As still another example, method **700** may modify step **730** to determine pressure differential ($p_{1b}-p_{1a}$) in place of or in addition to ($p_{2b}-p_{2a}$). Method **700** may include more, fewer, or other steps. For example, step **710** and step **715** may be eliminated such that the controller determines differential pressures without determining individual facet pressures. Steps may be performed in parallel or in any suitable order. While discussed as specific components completing the steps of method **700**, any suitable component may perform any step of method **700**.

FIG. 8 illustrates a communications system **800** that may be used by system **100** of FIG. 1. Communications system **800** includes probe *130a*, probe *130b*, controller **140**, pressure lines **810**, transducers **820**, a data acquisition system **840**, a processor **850**, atmospheric pressure device **860**, a temperature device **862**, a compass **864**, a Global Positioning System (GPS) device **866**, a locomotive computer **870**, a display **880**, and a network **890**.

Probe *130a* and probe *130b*, which are described above in FIG. 1, are coupled to a vehicle (e.g., locomotive **110** of FIG. 1) and used to measure wind velocity relative to the vehicle. Probe *130a* directly outputs four pressures associated with ports *1a*, *2a*, *3a*, and *4a* of probe *130a*. Probe *130b* directly outputs four pressures associated with ports *1b*, *2b*, *3b*, and *4b* of probe *130b*. Controller **140**, which is described above in FIG. 1, may include transducers **820**, data acquisition system **840**, and processor **850**.

Pressure lines **810** include four pressure lines *1a*, *2a*, *3a*, and *4a* coupled (e.g., hard wired) to probe *130a* and four pressure lines *1b*, *2b*, *3b*, and *4b* coupled (e.g., hard wired) to probe *130b*. Pressure lines *1a*, *2a*, *3a*, and *4a* are routed from ports *1a*, *2a*, *3a*, and *4a*, respectively, of probe *130a* to transducers **820**. Pressure lines *1b*, *2b*, *3b*, and *4b* are routed from ports *1b*, *2b*, *3b*, and *4b*, respectively, of probe *130b* to transducers **820**. Pressure lines **810** may be routed through a base of each probe *130a* and *130b* and through a hole in the roof of the vehicle (e.g., locomotive **110** of FIG. 1). In certain embodiments, pressure lines **810** may be routed through openings (e.g., windows and/or vents) of the vehicle.

Pressure lines **810** may be plumbed into a set of eleven transducers **820**. Transducers **820** of communications system **800** are instruments that measure differential pressure. Transducers **820** may be differential pressure transducers, gauges, sensors, differential pressure transmitters, capacitive pressure transducers, digital output pressure transducers, voltage/current output pressure transducers, a combination thereof, and/or any other suitable device for measuring differential pressure. Transducers **820** may sense a difference in pressure between two ports of probes *130a* and/or *130b* and generate an output signal.

Transducers **820** include the following eleven transducers: **821**, **822**, **823**, **824**, **825**, **826**, **827**, **828**, **829**, **830**, and **831**. Transducer **821** measures a differential pressure (e.g., first reference differential ($p_{1a}-p_{4a}$) of FIG. 7A) between ports *1a* and *4a* of probe *130a*; transducer **822** measures a differential pressure (e.g., rotational differential ($p_{1s}-p_{2s}$) of FIG. 7A) between ports *1a* and *2a* of probe *130a*; transducer **823** measures differential pressure (e.g., second reference differential ($p_{2a}-p_{4a}$) of FIG. 7A) between ports *2a* and *4a* of probe *130a*; transducer **824** measures differential pressure (e.g., rotational differential ($p_{2s}-p_{3s}$) of FIG. 7B) between ports *2a* and *3a* of probe *130a*; transducer **825** measures differential pressure (e.g., third reference differential ($p_{1a}-p_{4a}$) of FIG. 7B) between ports *3a* and *4a* of probe *130a*; transducer **826** measures differential pressure (e.g., first reference differential ($p_{1b}-p_{4b}$) of FIG. 7A) between ports *1b* and *4b* of probe *130b*; transducer **827** measures differential pressure (e.g., rotational differential ($p_{1s}-p_{2s}$) of FIG. 7A) between ports *1b* and *2b* of probe *130b*; transducer **828** measures differential pressure (e.g., second reference differential ($p_{2b}-p_{4b}$) of FIG. 7A) between ports *2b* and *4b* of probe *130b*; transducer **829** measures differential pressure (e.g., rotational differential ($p_{2s}-p_{3s}$) of FIG. 7B) between ports *2b* and *3b* of probe *130b*; transducer **830** measures differential pressure (e.g., third reference differential ($p_{3b}-p_{4b}$) of FIG. 7A) between ports *3b* and *4b* of probe *130b*; and

transducer **831** measures differential pressure (e.g., pressure differential ($p_{2b}-p_{2a}$) of FIG. 7A) between ports **2a** and **2b** of probe **130a** and probe **130b**.

Eight pressure lines (i.e., pressure lines **1a**, **2a**, **3a**, and **4a** of probe **130a** and pressure lines **1b**, **2b**, **3b**, and **4b** of probe **130b**) couple ports **1a**, **2a**, **3a**, and **4a** of probe **130a** and ports **1b**, **2b**, **3b**, and **4b** of probe **130b** to eleven transducers **820** (i.e., transducers **821** through **831**.) Pressure line **1a** is coupled to port **1a** of probe **130a** and transducers **821** and **822**. Pressure line **2a** is coupled to port **2a** and transducers **822**, **823**, **824**, and **831**. Pressure line **3a** is coupled to port **3a** of probe **130a** and transducers **824** and **825**. Pressure line **4a** is coupled to port **4a** and transducers **821**, **823**, and **825**. Pressure line **1b** is coupled to port **1b** of probe **130b** and transducers **826** and **827**. Pressure line **2b** is coupled to port **2b** and transducers **827**, **828**, **829**, and **831**. Pressure line **3b** is coupled to port **3b** of probe **130a** and transducers **829** and **830**. Pressure line **4b** is coupled to port **4b** and transducers **826**, **828**, and **830**.

Each transducer **820** is coupled to a data acquisition system **840**. Data acquisition system **840** is a system that samples one or more components of communication system **800**. Data acquisition system **840** may convert one or more signals received from one or more components of communication system **800** to one or more digital signals. Data acquisition system **840** may sample one or more transducers **820**, atmospheric pressure device **860**, temperature device **862**, compass **864**, GPS **866**, a combination thereof, or any other component of communication system **800**. Data acquisition system **840** may receive signals from one or more components of a vehicle (e.g., locomotive **110** of FIG. 1) such as track speed and curve information. Data acquisition system **800** may convert the received signals to digital signals. These digital signals may be processed by processor **850** to calculate wind speed and wind angle relative to the vehicle. The processed data may be presented to an engineer (e.g., a locomotive engineer). The processed data may be available for input into electronics associated with the vehicle.

Data acquisition system **840** is coupled to processor **850**. Processor **850** controls certain operations of communications system **800** by processing information received from one or more components (e.g., transducers **820**) of communications system **800**. Processor **850** communicatively couples to one or more components of system **800**. Processor **850** may include any hardware and/or software that operates to control and process information. Processor **850** may be a programmable logic device, a microcontroller, a microprocessor, any suitable processing device, or any suitable combination of the preceding. Processor **850** may be included in controller **140** of communication system **800**. Alternatively, processor **850** may be located externally to controller **140**, such as in a cloud computing environment. Processor **850** may be located in any location suitable for processor **850** to communicate with one or more components of communications system **800**.

Atmospheric pressure device **860** is a device used to measure atmospheric pressure. Atmospheric pressure device **860** may be an electronic instrument that stores atmospheric pressure on a computer. Atmospheric pressure device **860** may be a barometer (e.g., a mercury or aneroid barometer), a barometric sensor (e.g., a barometric air pressure sensor), a manometer, a combination of the preceding, or the like. Atmospheric pressure device **860** may be located internally or externally to controller **140**. Atmospheric pressure device **860** may be coupled to the vehicle associated with communication system **800**.

Temperature device **862** is a device used to measure outside temperature. Temperature device **862** may be a temperature sensor (e.g., a mechanical or an electrical temperature sensor). Temperature device **862** may be located near probe **130a** and/or **130b**. For example, temperature device **862** may be physically attached to probe **130a** or probe **130b**. As another example, temperature device **862** may be located within a predetermined distance (e.g., one foot) of probe **130a** or probe **130b**.

Processor **850** may determine air density using an atmospheric pressure value as measured by atmospheric pressure device **860** and an outside temperature value as measured by temperature device **862**. Air density is equal to atmospheric pressure divided by outside temperature and the gas constant for air. Air density may be calculated using one or more principles of perfect gas law. Air density may be used to determine wind velocity relative to the vehicle associated with communication system **800**, as illustrated in FIGS. 7A and 7B above.

Compass **864** of communication system **800** is a device used to determine geographic direction. Compass **864** may be a standard magnetic compass, a differential compass, an electronic compass, a magnetometer, a gyrocompass, a combination thereof, or any other suitable device used to determine geographical direction. Compass **864** may include one or more electronic sensors. Compass **864** may be configured to switch to a differential mode when compass **864** reaches a predetermined speed. In differential mode, compass **864** may use GPS to periodically record the position of compass **864**. Compass **864** may compare positions to determine a direction of a vehicle (e.g., locomotive **110** of FIG. 1) and/or to indicate the current bearing of the vehicle. Compass **864** may be integrated with GPS device **866**.

GPS device **866** is a device that receives information from GPS satellites and uses this information to calculate the geographical position of GPS device **866**. GPS device **866** may display the position on a display of GPS device **866**. GPS device **866** may display the position on a map. GPS device **866** may determine one or more directions of a vehicle (e.g., locomotive **110** of FIG. 1) using information from compass **862**. One or more components of system **800** may store time-histories of the readings of GPS device **866** to determine direction. GPS device **866** may be integrated with compass **862**.

Locomotive computer **870** is a computer on-board a vehicle (e.g., locomotive **110** of FIG. 1) that performs logical control of the vehicle. Locomotive computer **870** may receive signals (e.g., digital and/or analog inputs) from one or more components (e.g., one or more microprocessors) of the vehicle. Locomotive computer **870** may perform diagnostics, such as checking for abnormalities in the operation of the vehicle. Processor **850** may query locomotive computer **870** to gather the information from one or more databases (e.g., a track database) stored on a network (e.g., a network of a railroad). Locomotive computer **880** is located on-bound the vehicle. Locomotive computer **870** may report information (e.g., a type or location of an actual or potential malfunction) to display **880**. Locomotive computer **880** may include one or more components of the computer of FIG. 12.

Display **880** is a visual device that visually communicates information to an operator of a vehicle. Display **880** may communicate information including wind direction relative to the vehicle, wind speed relative to the vehicle, potential wind-induced tip-over information, information related to track conditions, alarms, instructions, and the like. Display **880** may communicate information that allows the engineer

of the vehicle to make decisions. For example, display **880** may visually display instructions that alert the engineer of a potential tip-over so that the engineer can reduce the speed of the vehicle.

One or more components of communications system **800** may be connected by a network **890**. Network **890** may be any type of network that facilitates communication between components of system **800**. One or more portions of network **890** may include Center for Transportation Analysis (CTA) Railroad Network. Although this disclosure shows network **890** as being a particular kind of network, this disclosure contemplates any suitable network. One or more portions of network **890** may include an ad-hoc network, an intranet, an extranet, a virtual private network (VPN), a local area network (LAN), a wireless LAN (WLAN), a wide area network (WAN), a wireless WAN (WWAN), a metropolitan area network (MAN), a portion of the Internet, a portion of the Public Switched Telephone Network (PSTN), a cellular telephone network, a 3G network, a 4G network, a 5G network, a Long Term Evolution (LTE) cellular network, a combination of two or more of these, or other suitable types of networks. One or more portions of network **890** may include one or more access (e.g., mobile access), core, and/or edge networks. Network **890** may be any communications network, such as a private network, a public network, a connection through Internet, a mobile network, a WI-FI network, a Bluetooth network, etc. Network **890** may include one or more network nodes. Network nodes are connection points that can receive, create, store, and/or transmit data throughout network **890**. Network **890** may include cloud computing capabilities. One or more components of system **800** may communicate over network **890**. For example, controller **140** and/or locomotive computer **870** may communicate over network **890** to receive information from one or more databases (e.g., a track database) stored on network **890**.

Although FIG. **8** illustrates a particular arrangement of probes **130**, controller **140**, pressure lines **810**, transducers **820**, data acquisition system **840**, processor **850**, atmospheric pressure device **860**, temperature device **862**, compass **864**, GPS device **866**, locomotive computer **870**, display **880**, and network **890**, this disclosure contemplates any suitable arrangement of probes **130**, controller **140**, pressure lines **810**, transducers **820**, data acquisition system **840**, processor **850**, atmospheric pressure device **860**, temperature device **862**, compass **864**, GPS device **866**, locomotive computer **870**, display **880**, and network **890**. The elements of communication system **800** may be implemented using any suitable combination of hardware, firmware, and software. For example, the elements of communication system **800** may be implemented using one or more components of the computer system of FIG. **12**.

Modifications, additions, or omissions may be made to communications system **800** depicted in FIG. **8**. Communications system **800** may include more, fewer, or other components. For example, communications system **800** may include more or less than two probes **130**, more or less than three ports per probe **130**, and/or more or less than eleven transducers **820**. One skilled in the art would recognize that an embodiment utilizing a different number of probes and/or ports than illustrated in communication system **800** of FIG. **8** may change the number of pressure lines **810** and/or transducers **820**. As another example, compass **864** and GPS device **866** may be a single device.

FIGS. **9A-9F** show CFD simulations used to investigate certain components of system **100** of FIG. **1**. FIG. **9A** shows a CFD model domain used to investigate components of

system **100** of FIG. **1** and FIG. **9B** shows a train used in the CFD model domain of FIG. **9A**. FIG. **9C** shows a plan view of a simulated airflow around the train of FIG. **9B**, FIG. **9D** shows a front view of a simulated airflow around the train of FIG. **9B**, and FIG. **9E** shows a perspective view of a simulated airflow around the train of FIG. **9B**. FIG. **9F** shows a top view of a simulated airflow around a probe of FIG. **9E**.

FIG. **9A** illustrates a CFD model domain **900** used to investigate system **100** of FIG. **1**. Specifically, CFD domain **900** illustrates the modeling parameters used to simulate airflow around an object. CFD domain **900** is a volume in which an airflow takes place. CFD domain **900** may be created on any suitable computing device (e.g., a desktop computer, a laptop computer, a smartphone, a tablet, etc.) using any suitable CFD software. CFD domain **900** may be constructed around a geometry of a solid object, such as a locomotive, a railroad car, an automobile, a truck, a car, a bus, an aircraft, a shipping vessel, and the like. In the illustrated embodiment of FIG. **9A**, the solid object is train **910**. CFD domain **900** may be constructed by forming a box **920** or any other suitable shape around the geometry such that the object is contained within box **920**. In the illustrated embodiment of FIG. **9A**, box **920** is 360 feet wide, 360 feet long, and 185 feet high (i.e., 185 feet above railroad track **930**). The flow domain for the external flow analysis may be calculated by subtracting the geometry from the volume of box **920**. In the illustrated embodiment, CFD domain **900** uses 63,000,000 computational cells concentrated around train **910**.

FIG. **9B** illustrates train **910** used in CFD domain **900** of FIG. **9A**. Train **910** includes locomotives **110** of FIG. **1** and railroad cars **930**. Locomotives **110** include locomotive **110a** and locomotive **110b**. In the illustrated embodiment, locomotive **110a** and locomotive **110b** are each an Electro Motive Division (EMD) SD70M locomotive, which is a type of 4,000 hp six-axle diesel locomotive. Locomotives **110** are situated on a single track **112** having a 3-foot berm with 30-degree slopes.

FIG. **9B** shows a wind angle **940** relative to train **910**. As illustrated, a 0-degree wind angle may be applied perpendicular to and toward a front end **114** of train **910** (e.g., front end **114** of locomotive **110a**) such that the applied wind is parallel to the sides of train **910** and in a direction from front end **114** to rear end **113** of train **910**. A 180-degree wind angle may be applied perpendicular to and toward a rear end **113** of train **910** such that the applied wind is parallel to the sides of train **910** and in a direction from rear end **113** to front end **114** of train **910**. A 90-degree wind angle may be applied perpendicular to a side of train **910**. Wind angle **940** may be applied to train **910** at any angle ranging from zero to 360 degrees.

FIG. **9C** illustrates a plan view **950** of a simulated airflow around train **910** of FIG. **9B** as used in CFD domain **900** of FIG. **9A**. FIG. **9C** shows an airflow path around train **910**. Train **910** includes locomotives **110** (i.e., locomotives **110a** and **110b**) and railroad cars **930**. Locomotives **110** and railroad cars **930** are bluff bodies from an aerodynamic perspective. The simulated wind speed in CFD domain **900** is 50 miles per hour with an angle of 45 degrees relative to a longitudinal axis of train **910**. In the illustrated embodiment of FIG. **9C**, plan view **950** is taken 2.70 meters above railroad tracks **112** of FIG. **9A**. The simulated wind speed in CFD domain **900** generates airflow path-lines **955**.

As illustrated by air flow path-lines **955** in FIG. **9C**, air passes around locomotives **110**. The air is unable to remain attached to train **910** and instead slides across the body of

each locomotive **110** and each railroad car **930**. Air flow path-lines **950** separate (i.e., detach) from the body of each locomotive **110** and each railroad car **930**. As air flow separates from the body of train **910** and re-attaches at a region further downwind of train **910**, one or more separation zones **970** may form. If a probe (e.g., probe **130** of FIG. 1) sits in separation zone **970**, the probe may be unable to accurately measure wind velocity. One or more probes used to measure wind velocity may be located outside of separation zones **970** under any possible wind angle (i.e., zero to 360 degrees.) Probes may be located outside of one or more separation zones **970** at some wind angles and within one or more separation zones **970** at other wind angles. The locations of probes **130** in FIG. 1 satisfy the requirements of at least one probe located outside of separations zones **970** by locating first probe **130a** and second probe **130b** on opposite sides of locomotive **110**. Each probe **130a** and **130b** of FIG. 1 can measure wind angles over a range of zero to 180 degrees.

FIG. 9D illustrates a front view **960** of a simulated airflow around train **910** of FIG. 9B as used in CFD domain **900** of FIG. 9A. Front view **960** is cut through locomotive **110a** of train **910**. Specifically, front view **960** is cut through the locations of probes **130a** and **130b** attached to locomotive **110** as illustrated in FIG. 1. Air flow path-lines **965** are generated in result of a simulated wind speed in CFD domain **900** of FIG. 9A of 50 miles per hour with an angle of 45 degrees relative to a longitudinal axis of locomotive **110a**. This model was taken to investigate the locations of probe **130a** and probe **130b** of FIG. 1. Based on this model, a determination was made that the probes should be located such that at least one probe penetrates into the air velocity field at every possible wind angle. As previously discussed in FIG. 3, all probes should be located within the clearance plate associated with AAR Plate M **310**.

FIG. 9E illustrates a perspective view **970** of a simulated airflow around train **910** of FIG. 9B as used in CFD domain **900** of FIG. 9A. Specifically, FIG. 9E shows simulated airflow past a probe (e.g., probe **130a** of FIG. 1) attached to locomotive **110a** of train **910**. Air flow path-lines **975** are generated using a simulated wind speed in CFD domain **900** of 50 miles per hour with an angle of 45 degrees relative to a longitudinal axis of locomotives **110**. The applied wind angle of 45 degrees is applied to a first side **630** of locomotive **110a**. As illustrated in FIG. 9E, air flow path-lines **975** intersect probe **130a** and circumvent probe **130b**. In an embodiment where the wind is applied to a second side of locomotive **110a** that is opposite first side **630** of locomotive **110a**, air flow path-lines **975** will intersect probe **130b** and circumvent probe **130a**. Thus, in certain embodiments, two probes are used to determine airflow to accurately account for all possible wind flow directions (e.g., wind flow directions from 0 to 360 degrees).

FIG. 9F shows a top view of a simulated airflow around probe **130a** of FIG. 9E. Air flow path-lines **985** are generated using a simulated wind speed in CFD domain **900** of FIG. 9A of 50 miles per hour with an angle of 45 degrees relative to a longitudinal axis of locomotive **110a**. As illustrated, air flow path-lines **985** change direction as airflow passes probe **130a**. The total velocity of the airflow changes as airflow passes probe **130a**.

As such, FIGS. 9A-9F illustrate simulated airflow around train **910** and probes **130**, which may provide guidance in determining the shape of probes **130**, the placement of probes **130** on a vehicle, and the orientation of probes **130** relative to the vehicle.

FIG. 10 illustrates an example system **1010** for determining wind velocity relative to each railroad car of train **910** traversing a curve **1050** of track **112**. System **1010** includes train **910**, track **112**, probes **130**, and controller **140**. Train **910** includes locomotive **110a**, railroad car **930a**, and railroad car **930b**. Probes **130** are located on locomotive **110a** of train **910**. System **1010** or portions thereof may be associated with an entity, which may include any entity, such as a business, company (e.g., a railway company, a transportation company, etc.), or a government agency (e.g., a department of transportation, a department of public safety, etc.). The elements of system **1010** may be implemented using any suitable combination of hardware, firmware, and software. For example, the elements of system **1010** may be implemented using one or more components of the computer system of FIG. 12.

Track **112** of system **1010** includes an inner rail **1020** and an outer rail **1030**. A centerline of track **112** is located at a midpoint between inner rail **1020** and outer rail **1030** of track **112**. Track **112** includes curve **1050**. Curve **1050** is a section of track **112** that deviates from being straight along all or some of its length. Radius **1060** of curve **1050** is a distance from a point **1062** along centerline **1040** of curve **1050** to a point **1064** at a center of an imaginary circle **1066** encompassing curve **1050**. Locomotive **110a**, railroad car **930a**, and railroad car **930b** of train **910** traverse curve **1050** of track **112**.

As train **910** traverses curve **1050** of track **112**, a heading of each car (i.e., locomotive **110a**, railroad car **930a**, and railroad car **930b**) of train **910** traversing curve **1050** differs with position of each car on curve **1050**. As such, relative wind speed and wind direction for each car also differs with position of each car on curve **1050**. Accurately determining wind speed and wind direction relative to each car on curve **1050** may prevent wind-induced tip-over of one or more cars of train **910**.

Wind speed and wind direction relative to railroad car **930a** and railroad car **930b** of train **910** may be determined using the wind speed and wind direction relative to locomotive **110a**. Wind speed and wind direction relative to locomotive **110a** may be determined using wind pressure values received from probes **130**. Wind speed and wind direction relative to locomotive **110a** may be determined in accordance with method **700** of FIG. 7. Controller **140** may calculate an absolute wind speed and absolute wind direction relative to ground using the following information: wind speed and wind direction relative to locomotive **110a**, a track speed, and/or a compass (e.g., an electronic compass, a magnetic compass, a differential compass, a magnetometer, a gyrocompass, etc.). For example, controller **140** may receive one or more readings from a compass (e.g., compass **864** of FIG. 8) to determine true North direction relative to ground. Controller **140** may then determine absolute wind speed and wind direction relative to the compass reading. Once an orientation of a given car in train **910** is known, wind velocity relative to the given car can be calculated.

Controller **140** may receive a track speed from one or more components of train **910** (e.g., locomotive computer **870** of FIG. 8). Track speed is typically measured on standard locomotives. All cars of train **910** will have the same track speed regardless of the heading of each individual car. If the cars of train **910** are still, the relative wind speeds for all cars are the same, although the wind angle is different. If train **910** is moving, then the relative wind velocity vector (based on relative wind speed and direction) is added to the velocity vector (based on ground speed and track direction) of locomotive **110a** using vector addition to

calculate an absolute wind velocity vector. The absolute wind velocity vector is then added, using vector addition, to the velocity vector (which has the same train speed but a different direction) of railroad car **930a** or **930b** to determine the relative wind velocity vector for railroad car **930a** or **930b**, respectively.

Controller **140** of system **1010** may determine wind speed and wind direction relative to railroad car **930a** and **930b** of train **910** using a curve-correction method. Controller **140** may determine radius **1060** of curve **1050**, a bend angle **1070** of curve **1050** between a front end and a back end of train **910**, and a length **1080** of train **910**. Train length **1080** is measured along centerline **1040** of track **112** from a front end of locomotive **110a** to a rear end of railroad car **930b**. Controller **140** may use radius **1060**, bend angle **1070**, and train length **1080** to calculate a range of wind angles by calculating a relative angle between locomotive **110a** and the last car of train **910** (i.e., railroad car **930b**). An interaction between locomotive **110a** and an electronic map may be utilized to calculate the range of wind angles. The range of wind angles may be overestimated by a predetermined value or percentage since this curve-correction method may only be accurate when entire train **910** is on curve **1050**.

Controller **140** may utilize an advanced variation of the curve-correction method described above. The advanced method requires specific geometric track information based on track geometry, a location of locomotive **110a**, and information associated with train **910**. By calculating a specific orientation of each car of train **910**, wind speed and wind direction may be determined relative to each car of train **910**. Controller **140** may communicate the relative wind speed and direction along with a car type and a car weight for one or more cars of train **910** to a speed restriction system. The speed restriction system may determine advanced predictions of wind-induced tip-over for one or more cars of train **910**.

Track information may include geometry of track **112**, a location of locomotive **110a** on track **112**, a location of railroad car **930a** on track **112**, and/or a location of railroad care **930b** on track **112**. Controller **140** may obtain track information from a track database. For example, controller **140** may obtain track information from a track database stored on network **890** of communication system **800** of FIG. **8**. Controller **140** may determine track information by querying a computer associated with train **910** to collect track information from the track database. Controller **140** may determine track information by storing time-histories of readings from a compass, storing track speed, and integrating headings for each car on train **930**. Controller **140** may determine track information by storing time-histories of GPS data to differentiate heading for each car of train **910**.

In operation, controller **140** determines a wind direction and a wind speed relative to locomotive **110a** using wind pressure measurements from probes **130**. Locomotive **110a**, railroad car **930a**, and railroad car **930b** are located on curve **1050** of track **112**. Controller **140** calculates an absolute wind direction and an absolute wind speed relative to ground using the wind direction and wind speed relative to locomotive **110a**, a ground speed, and a vehicle direction of locomotive **110a**. Controller **140** calculates a wind direction and a wind speed relative to railroad car **930a** and relative to railroad car **930b** using the absolute wind direction, the absolute wind speed, the ground speed, and a vehicle direction for railroad car **930b**.

Although FIG. **10** illustrates a particular arrangement of track **112**, probes **130**, controller **140**, and train **910**, this disclosure contemplates any suitable arrangement of track

112, probes **130**, controller **140**, and train **910**. Although FIG. **10** illustrates a particular number of locomotives **110**, tracks **112**, probes **130**, controllers **140**, trains **910**, and railroad cars **930**, this disclosure contemplates any suitable number of locomotives **110**, tracks **112**, probes **130**, controllers **140**, trains **910**, and railroad cars **930**. For example, train **910** may include more or less than one locomotive **110a** and/or more or less than two railroad cars **930a** and **930b**. One or more components of system **1010** may be implemented using one or more components of the computer system of FIG. **12**.

Modifications, additions, or omissions may be made to system **1010** depicted in FIG. **10**. System **1010** may include more, fewer, or other components. For example, train **910** of system **1010** may be replaced with any suitable component used for transportation such as one or more automobiles, buses, trucks, aircrafts, shipping vessels, and the like. As another example, track **112** of system **1010** may be any suitable shape.

FIG. **11** illustrates an example method **1100** for determining wind velocity for multiple vehicles traversing a curve of a track. Method **110** begins at step **1105**. At step **1110**, a controller (e.g., controller **140** of FIG. **1**) determines a first wind direction relative to a first vehicle (e.g., locomotive **110** of FIG. **1**). The first vehicle is moving along a curve of a track. At step **1115**, the controller determines a first wind speed relative to the first vehicle. The controller may receive one or more wind pressures from one or more probes coupled to the first vehicle and determine the first wind direction and the first wind speed using the one or more received wind pressures. The controller may determine the first wind direction and the first wind speed using method **700** of FIGS. **7A** and **7B**. Method **1100** then advances to step **1120**.

At step **1120**, the controller calculates, in real-time, an absolute wind direction relative to ground using the wind direction relative to the first vehicle. At step **1125**, the controller calculates, in real-time, an absolute wind speed relative to ground using the wind speed relative to the first vehicle. The controller may calculate the absolute wind direction and absolute wind speed of the first vehicle using a ground speed and a direction of the first vehicle. The controller may calculate absolute wind direction and absolute wind speed of the first vehicle using one or more readings from a compass onboard the first vehicle.

At step **1130**, the controller calculates a second wind direction relative to a second vehicle (e.g., railroad car **930a** or railroad car **930b** of FIG. **10**) using the absolute wind speed and direction calculated in step **1120** along with a ground speed and direction for the second vehicle. The second vehicle is any vehicle attached to the first vehicle that is moving along the curve of the track. At step **1135**, the controller calculates a second wind speed relative to the second vehicle using the absolute wind speed calculated in step **1125**. The controller may calculate the absolute wind direction and absolute wind speed of the second vehicle using the ground speed and a direction of the second vehicle.

The controller may calculate the second wind speed using an orientation of the second vehicle. The orientation of the second vehicle may be calculated using track information such as track geometry, a location of the first vehicle on the track, and a location of the second vehicle on the track. The controller may calculate the second wind speed using a relative angle between the first vehicle and a last vehicle on the track. The controller may calculate the relative angle using an overall length of the connected vehicles, a bend

radius of the track, and a bend angle of the track. Method **1100** then advances to step **1140**.

At step **1140**, the controller may determine whether the second vehicle has potential for wind-induced tip-over. Controller may determine whether the second vehicle has potential for wind-induced tip-over based on the second wind direction, the second wind speed, vehicle type information for the second vehicle (e.g., a height, width, and/or length of the second vehicle), and/or a weight of the second vehicle.

If the controller determines that the second vehicle does not have potential for wind-induced tip-over, method **1100** advances to step **1150**, where method **1100** ends. If the controller determines that the second vehicle has potential for wind-induced tip-over, method **1100** advances to step **1145**, where the controller triggers an alarm.

Triggering the alarm may send one or more signals (e.g., a verbal or written message) to an operator of the first vehicle. For example, triggering the alarm may send a message to an operator of a locomotive via a locomotive display (e.g., display **880** of FIG. **8**) to decrease the speed of the locomotive. In certain embodiments, triggering the alarm may initiate one or more automated actions (e.g., decreasing the speed of the vehicle and/or activating a siren). Method **1100** then advances from step **1145** to step **1150**, where method **1100** ends.

Modifications, additions, or omissions may be made to method **1100** depicted in FIG. **11**. For example, method **1100** may include calculating the potential tip-over for multiple railroad cars of a train. Method **1100** may include more, fewer, or other steps. Steps may be performed in parallel or in any suitable order. While discussed as specific components completing the steps of method **1100**, any suitable component may perform any step of method **1100**. For example, at step **1140**, a speed restriction system rather than the controller may determine whether the second vehicle has potential for wind-induced tip-over.

FIG. **12** shows an example computer system that may be used by the systems and methods described herein. For example, one or more components of system **100** of FIG. **1** may include one or more interface(s) **1210**, processing circuitry **1220**, memory(ies) **1230**, and/or other suitable element(s). Interface **1210** (receives input, sends output, processes the input and/or output, and/or performs other suitable operation. Interface **1210** may comprise hardware and/or software.

Processing circuitry **1220** (e.g., processor **850** of FIG. **8**) performs or manages the operations of the component. Processing circuitry **1220** may include hardware and/or software. Examples of a processing circuitry include one or more computers, one or more microprocessors, one or more applications, etc. In certain embodiments, processing circuitry **1220** executes logic (e.g., instructions) to perform actions (e.g., operations), such as generating output from input. The logic executed by processing circuitry **1220** may be encoded in one or more tangible, non-transitory computer readable media (such as memory **1230**). For example, the logic may comprise a computer program, software, computer executable instructions, and/or instructions capable of being executed by a computer. In particular embodiments, the operations of the embodiments may be performed by one or more computer readable media storing, embodied with, and/or encoded with a computer program and/or having a stored and/or an encoded computer program.

Memory **1230** (or memory unit) stores information. Memory **1230** may comprise one or more non-transitory, tangible, computer-readable, and/or computer-executable

storage media. Examples of memory **1230** include computer memory (for example, RAM or ROM), mass storage media (for example, a hard disk), removable storage media (for example, a Compact Disk (CD) or a Digital Video Disk (DVD)), database and/or network storage (for example, a server), and/or other computer-readable medium.

Although the systems and methods described herein are primarily directed to determining wind direction and/or wind speed relative to a train, the system and methods described herein may be used to determine wind direction and/or wind speed relative to any structure that may be exposed to high winds. For example, the systems and methods described herein may be applied to structures in the HVAC industry, wind turbine farms, sailing vessels, temporary structure for sports facilities, festivals, and/or concerts, and the like.

Herein, a computer-readable non-transitory storage medium or media may include one or more semiconductor-based or other integrated circuits (ICs) (such as field-programmable gate arrays (FPGAs) or application-specific ICs (ASICs)), hard disk drives (HDDs), hybrid hard drives (HHDs), optical discs, optical disc drives (ODDs), magneto-optical discs, magneto-optical drives, floppy diskettes, floppy disk drives (FDDs), magnetic tapes, solid-state drives (SSDs), RAM-drives, SECURE DIGITAL cards or drives, any other suitable computer-readable non-transitory storage media, or any suitable combination of two or more of these, where appropriate. A computer-readable non-transitory storage medium may be volatile, non-volatile, or a combination of volatile and non-volatile, where appropriate.

Herein, “or” is inclusive and not exclusive, unless expressly indicated otherwise or indicated otherwise by context. Therefore, herein, “A or B” means “A, B, or both,” unless expressly indicated otherwise or indicated otherwise by context. Moreover, “and” is both joint and several, unless expressly indicated otherwise or indicated otherwise by context. Therefore, herein, “A and B” means “A and B, jointly or severally,” unless expressly indicated otherwise or indicated otherwise by context.

The scope of this disclosure encompasses all changes, substitutions, variations, alterations, and modifications to the example embodiments described or illustrated herein that a person having ordinary skill in the art would comprehend. The scope of this disclosure is not limited to the example embodiments described or illustrated herein. Moreover, although this disclosure describes and illustrates respective embodiments herein as including particular components, elements, feature, functions, operations, or steps, any of these embodiments may include any combination or permutation of any of the components, elements, features, functions, operations, or steps described or illustrated anywhere herein that a person having ordinary skill in the art would comprehend. Furthermore, reference in the appended claims to an apparatus or system or a component of an apparatus or system being adapted to, arranged to, capable of, configured to, enabled to, operable to, or operative to perform a particular function encompasses that apparatus, system, component, whether or not it or that particular function is activated, turned on, or unlocked, as long as that apparatus, system, or component is so adapted, arranged, capable, configured, enabled, operable, or operative. Additionally, although this disclosure describes or illustrates particular embodiments as providing particular advantages, particular embodiments may provide none, some, or all of these advantages.

What is claimed is:

- 1. A probe, comprising:
 - a first flat facet associated with a first pressure port operable to measure a first wind pressure; and
 - a second flat facet associated with a second pressure port operable to measure a second wind pressure;
 wherein:
 - the first flat facet and the second flat facet are located between a first end portion and a second end portion of the probe;
 - the first flat facet is adjacent to the second flat facet;
 - the probe is coupled to a vehicle; and
 - a surface of each of the first flat facet and the second flat facet of the probe faces away from a longitudinal centerline of the vehicle.
- 2. The probe of claim 1, further comprising a third facet associated with a third pressure port operable to measure a third wind pressure, wherein a surface of the third facet of the probe faces away from the longitudinal centerline of the vehicle.
- 3. The probe of claim 1, wherein:
 - the first end portion comprises a third pressure port operable to measure a third wind pressure; and
 - the third wind pressure is a reference pressure.
- 4. The probe of claim 1, wherein the first flat facet and the second flat facet are machined surfaces.
- 5. The probe of claim 1, wherein:
 - the first end portion is a cone-shaped tip comprising a first end;
 - the second end portion is a cylindrical base comprising a second end; and
 - a maximum length from the first end to the second end is eight inches.
- 6. The probe of claim 1, wherein the first pressure port and the second pressure port are located the same distance from the first end portion.
- 7. The probe of claim 1, wherein the probe is a solid object comprising at least one of the following materials:
 - aluminum;
 - steel; and
 - plastic.
- 8. A method, comprising:
 - measuring a first wind pressure using a first pressure port associated with a first flat facet of a probe; and
 - measuring a second wind pressure using a second pressure port associated with a second flat facet of the probe;
 wherein:
 - the first flat facet and the second flat facet are located between a first end portion and a second end portion of the probe;
 - the first flat facet is adjacent to the second flat facet;
 - the probe is coupled to a vehicle; and
 - a surface of each of the first flat facet and the second flat facet of the probe faces away from a longitudinal centerline of the vehicle.
- 9. The method of claim 8, further comprising measuring a third wind pressure using a third pressure port associated with a third facet of the probe, wherein a surface of the third facet of the probe faces away from the longitudinal centerline of the vehicle.
- 10. The method of claim 8, further comprising measuring a third wind pressure using a third pressure port, wherein:

- the first end portion comprises the third pressure port; and the third wind pressure is a reference pressure.
- 11. The method of claim 8, wherein the first flat facet and the second flat facet are machined surfaces.
- 12. The method of claim 8, wherein:
 - the first end portion is a cone-shaped tip comprising a first end;
 - the second end portion is a cylindrical base comprising a second end; and
 - a maximum length from the first end to the second end is eight inches.
- 13. The method of claim 8, wherein the first pressure port and the second pressure port are located the same distance from the first end portion.
- 14. The method of claim 8, wherein the probe is a solid object comprising at least one of the following materials:
 - aluminum;
 - steel; and
 - plastic.
- 15. One or more computer-readable storage media embodying instructions that, when executed by a processor, cause the processor to perform operations comprising:
 - measuring a first wind pressure using a first pressure port associated with a first flat facet of a probe; and
 - measuring a second wind pressure using a second pressure port associated with a second flat facet of the probe;
 wherein:
 - the first flat facet and the second flat facet are located between a first end portion and a second end portion of the probe;
 - the first flat facet is adjacent to the second flat facet;
 - the probe is coupled to a vehicle; and
 - a surface of each of the first flat facet and the second flat facet faces away from a longitudinal centerline of the vehicle.
- 16. The one or more computer-readable storage media of claim 15, the operations further comprising measuring a third wind pressure using a third pressure port associated with a third facet of the probe, wherein a surface of the third facet faces away from the longitudinal centerline of the vehicle.
- 17. The one or more computer-readable storage media of claim 15, the operations further comprising measuring a third wind pressure using a third pressure port, wherein:
 - the first end portion comprises the third pressure port; and
 - the third wind pressure is a reference pressure.
- 18. The one or more computer-readable storage media of claim 15, wherein the first flat facet and the second flat facet are machined surfaces.
- 19. The one or more computer-readable storage media of claim 15, wherein:
 - the first end portion is a cone-shaped tip comprising a first end;
 - the second end portion is a cylindrical base comprising a second end; and
 - a maximum length from the first end to the second end is eight inches.
- 20. The one or more computer-readable storage media of claim 15, wherein the first pressure port and the second pressure port are located the same distance from the first end portion.

* * * * *