

CORRECTED VERSION

(19) World Intellectual Property Organization

International Bureau

(43) International Publication Date 29 June 2023 (29.06.2023)



(10) International Publication Number WO 2023/121868 A8

- (51) International Patent Classification: H04L 9/40 (2022.01) H04L 47/2441 (2022.01)
(21) International Application Number: PCT/US2022/052048
(22) International Filing Date: 06 December 2022 (06.12.2022)
(25) Filing Language: English
(26) Publication Language: English
(30) Priority Data: 17/559,966 22 December 2021 (22.12.2021) US
(71) Applicant: PALO ALTO NETWORKS, INC. [US/US]; 3000 Tannery Way, Santa Clara, CA 95054 (US).
(72) Inventors: WARBURTON, Thomas, Arthur; 3000 Tannery Way, Santa Clara, CA 95054 (US). LONG, Hao; 3000 Tannery Way, Santa Clara, CA 95054 (US). LIN, Shu;

- 3000 Tannery Way, Santa Clara, CA 95054 (US). PENG, Mingfei; 3000 Tannery Way, Santa Clara, CA 95054 (US).
(74) Agent: SCHALLOP, Michael, J.; Van Pelt, Yi & James, LLP, 10050 N. Foothill Blvd., Suite 200, Cupertino, CA 95014 (US).
(81) Designated States (unless otherwise indicated, for every kind of national protection available): AE, AG, AL, AM, AO, AT, AU, AZ, BA, BB, BG, BH, BN, BR, BW, BY, BZ, CA, CH, CL, CN, CO, CR, CU, CV, CZ, DE, DJ, DK, DM, DO, DZ, EC, EE, EG, ES, FI, GB, GD, GE, GH, GM, GT, HN, HR, HU, ID, IL, IN, IQ, IR, IS, IT, JM, JO, JP, KE, KG, KH, KN, KP, KR, KW, KZ, LA, LC, LK, LR, LS, LU, LY, MA, MD, MG, MK, MN, MW, MX, MY, MZ, NA, NG, NI, NO, NZ, OM, PA, PE, PG, PH, PL, PT, QA, RO, RS, RU, RW, SA, SC, SD, SE, SG, SK, SL, ST, SV, SY, TH, TJ, TM, TN, TR, TT, TZ, UA, UG, US, UZ, VC, VN, WS, ZA, ZM, ZW.

(54) Title: NETWORKING AND SECURITY SPLIT ARCHITECTURE

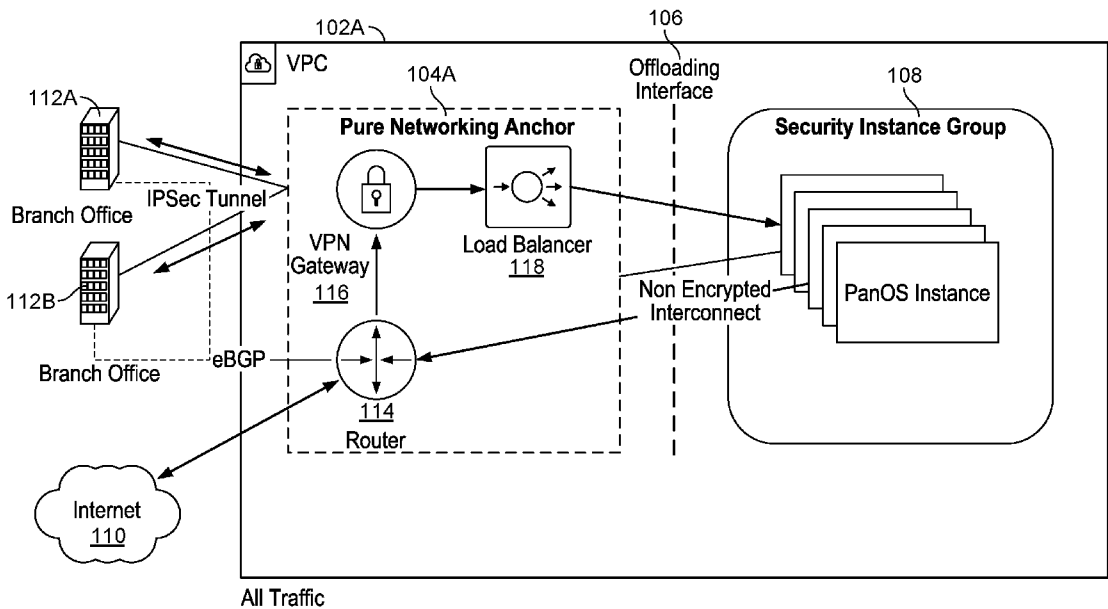


FIG. 1

(57) Abstract: Techniques for providing a networking and security split architecture are disclosed. In some embodiments, a system, process, and/or computer program product for providing a networking and security split architecture includes receiving a flow at a security service; processing the flow at a network layer of the security service to perform one or more networking functions; and offloading the flow to a security layer of the security service to perform security enforcement based on a policy.

WO 2023/121868 A8

**(84) Designated States** (*unless otherwise indicated, for every kind of regional protection available*): ARIPO (BW, CV, GH, GM, KE, LR, LS, MW, MZ, NA, RW, SC, SD, SL, ST, SZ, TZ, UG, ZM, ZW), Eurasian (AM, AZ, BY, KG, KZ, RU, TJ, TM), European (AL, AT, BE, BG, CH, CY, CZ, DE, DK, EE, ES, FI, FR, GB, GR, HR, HU, IE, IS, IT, LT, LU, LV, MC, ME, MK, MT, NL, NO, PL, PT, RO, RS, SE, SI, SK, SM, TR), OAPI (BF, BJ, CF, CG, CI, CM, GA, GN, GQ, GW, KM, ML, MR, NE, SN, TD, TG).

**Published:**

— *with international search report (Art. 21(3))*

**(48) Date of publication of this corrected version:**

11 January 2024 (11.01.2024)

**(15) Information about Correction:**

see Notice of 11 January 2024 (11.01.2024)