



US00D994161S

(12) **United States Design Patent**
Cao

(10) **Patent No.:** **US D994,161 S**

(45) **Date of Patent:** **** Aug. 1, 2023**

(54) **LIGHT STRING**

(71) Applicant: **Xia Cao**, Shenzhen (CN)

(72) Inventor: **Xia Cao**, Shenzhen (CN)

(**) Term: **15 Years**

(21) Appl. No.: **29/815,444**

(22) Filed: **Nov. 14, 2021**

(30) **Foreign Application Priority Data**

Nov. 3, 2021 (CN) 202130722723.3

(51) **LOC (14) Cl.** **26-04**

(52) **U.S. Cl.**
USPC **D26/25**

(58) **Field of Classification Search**

USPC D26/25, 27, 43, 75, 78, 80, 86, 113, 138
CPC F21W 2131/00; F21W 2131/04; F21W
2131/109; F21V 21/00; F21V 21/08;
F21V 21/008; F21S 10/00; F21S 10/02;
F21S 10/06; G09F 13/00; G09F 13/22
See application file for complete search history.

(56) **References Cited**

U.S. PATENT DOCUMENTS

D816,874 S * 5/2018 Lentz D26/25
D825,793 S * 8/2018 Lentz D26/25
D869,012 S * 12/2019 Zhu D26/25

D869,013 S * 12/2019 Zhu D26/25
10,883,709 B1 * 1/2021 Huang H01R 13/516
D916,333 S * 4/2021 Liang D26/25
D918,438 S * 5/2021 Lentz D26/25
D950,112 S * 4/2022 Zheng D26/25
11,384,907 B1 * 7/2022 Zou F21V 21/002
D968,660 S * 11/2022 Li D26/25
2015/0163876 A1 * 6/2015 Zhang H05B 45/00
362/235

* cited by examiner

Primary Examiner — Clint A Samuel

(57) **CLAIM**

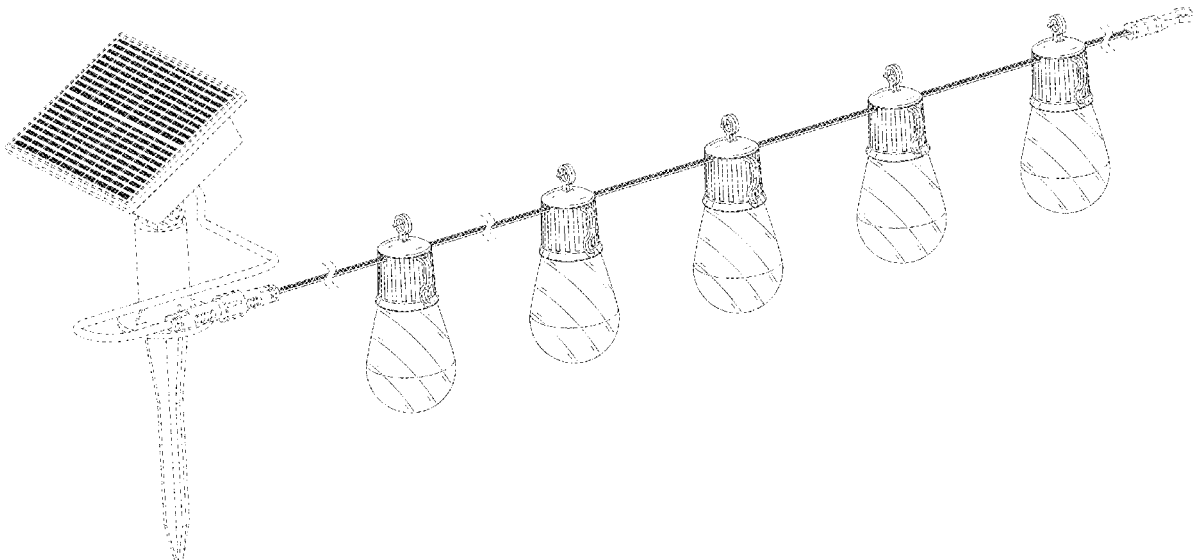
The ornamental design for a light string, as shown and described.

DESCRIPTION

FIG. 1 is a perspective view of a light string showing my new design;
FIG. 2 is another perspective view thereof;
FIG. 3 is a front elevational view thereof;
FIG. 4 is a rear elevational view thereof;
FIG. 5 is a left side elevational view thereof;
FIG. 6 is a right side elevational view thereof;
FIG. 7 is a top plan view thereof; and,
FIG. 8 is a bottom plan view thereof.

The light string is shown with a symbolic break in its length and the appearance of any portion of the light string between the break lines form no part of the claimed design. The broken lines in the drawings depict portions of the light string that form no part of the claimed design.

1 Claim, 8 Drawing Sheets



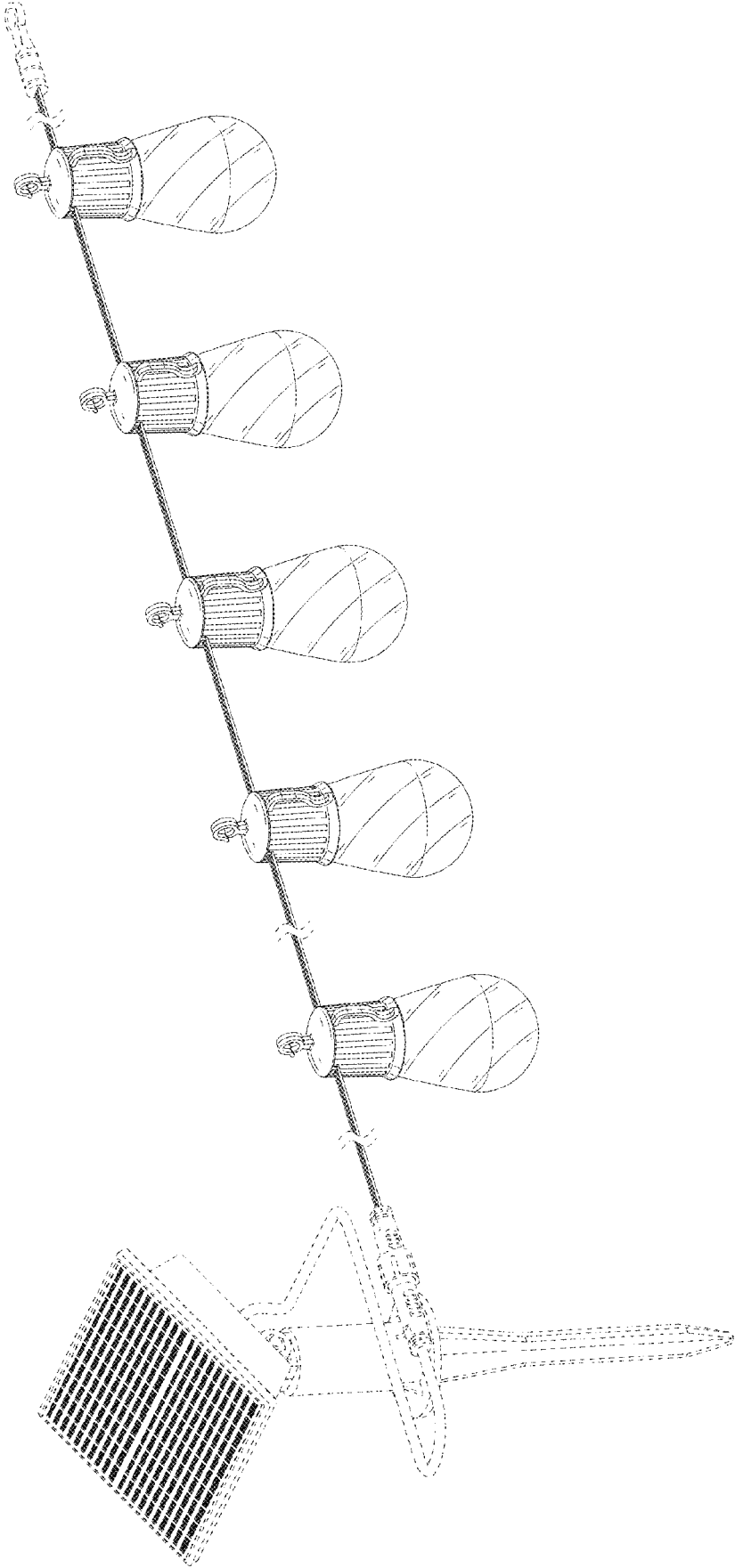


FIG. 1

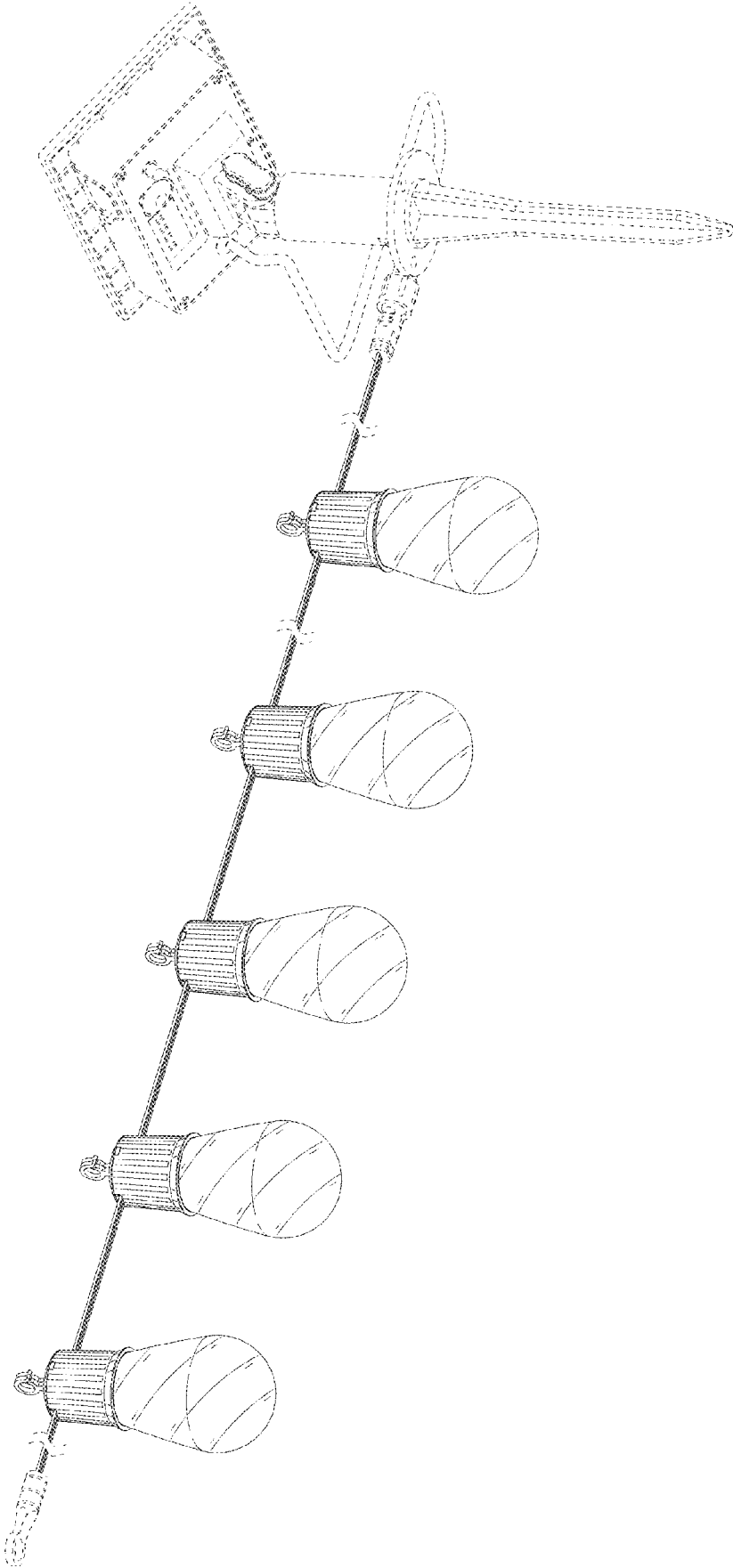


FIG. 2

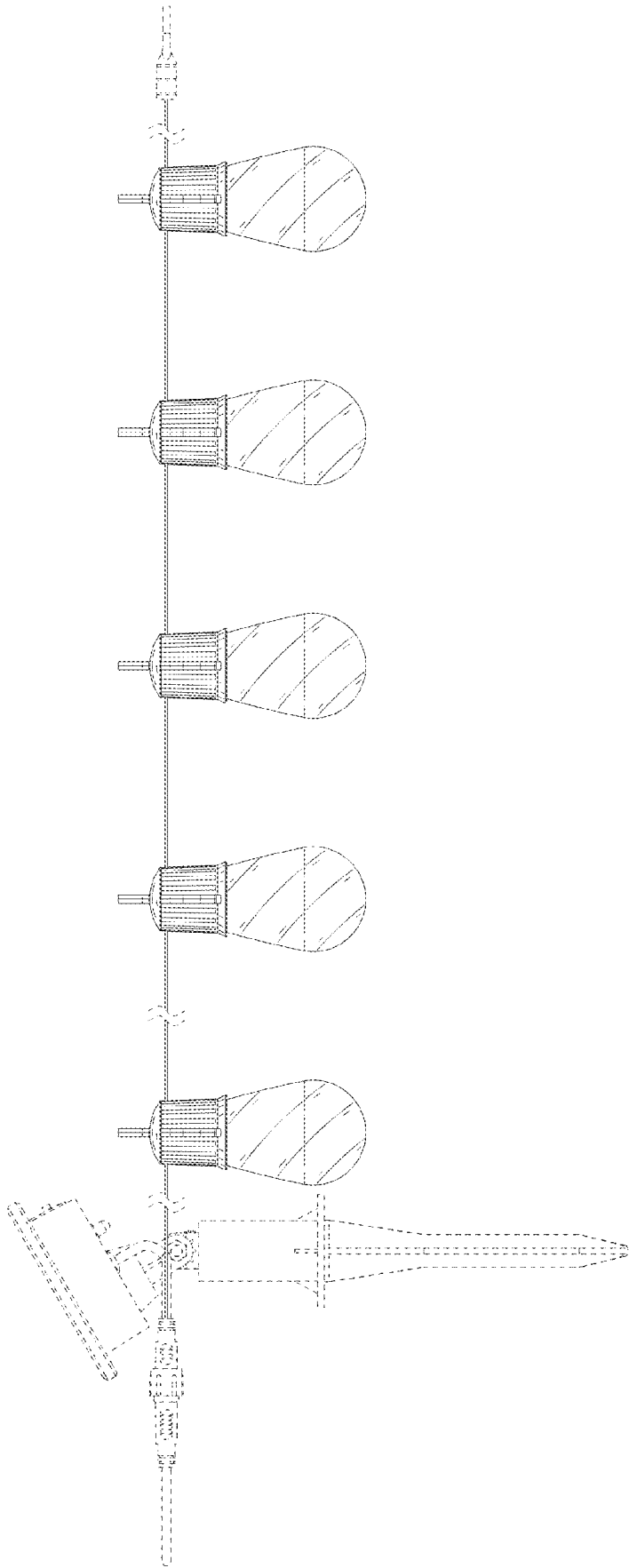


FIG. 3

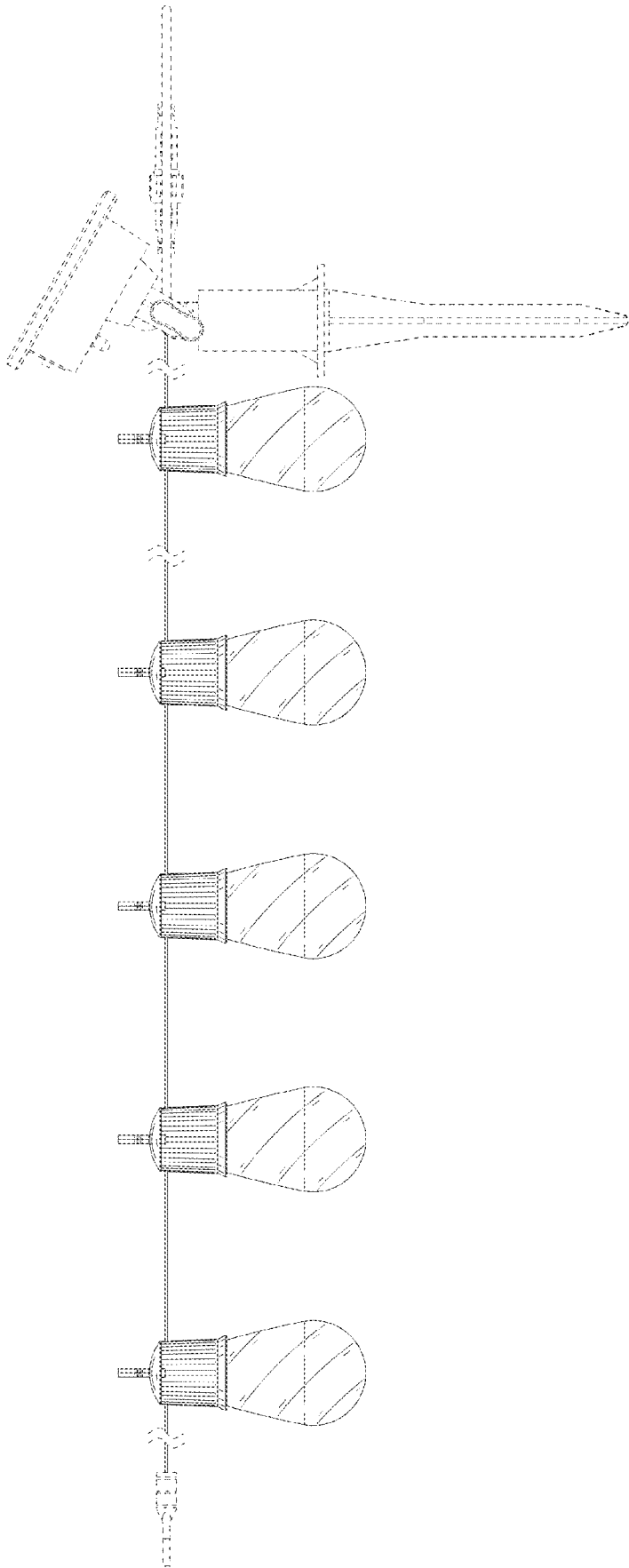


FIG. 4

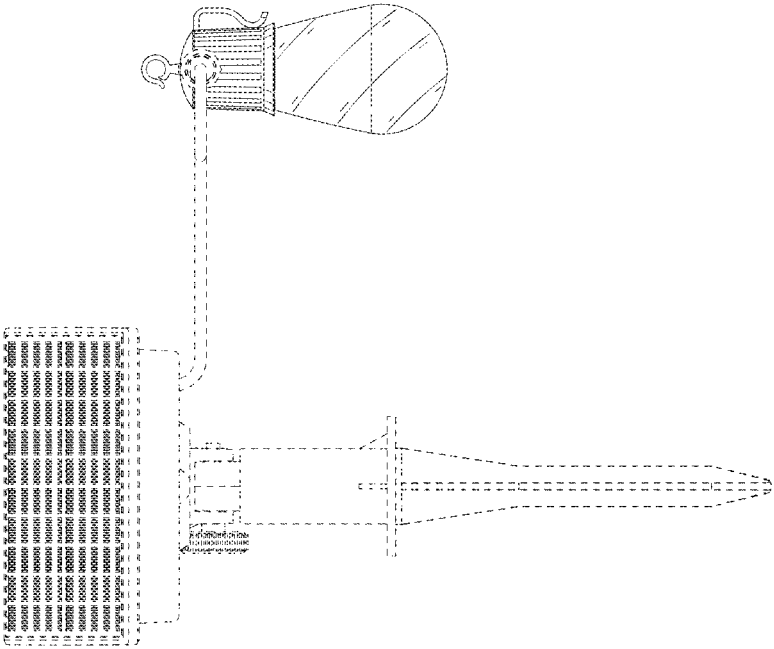


FIG. 5

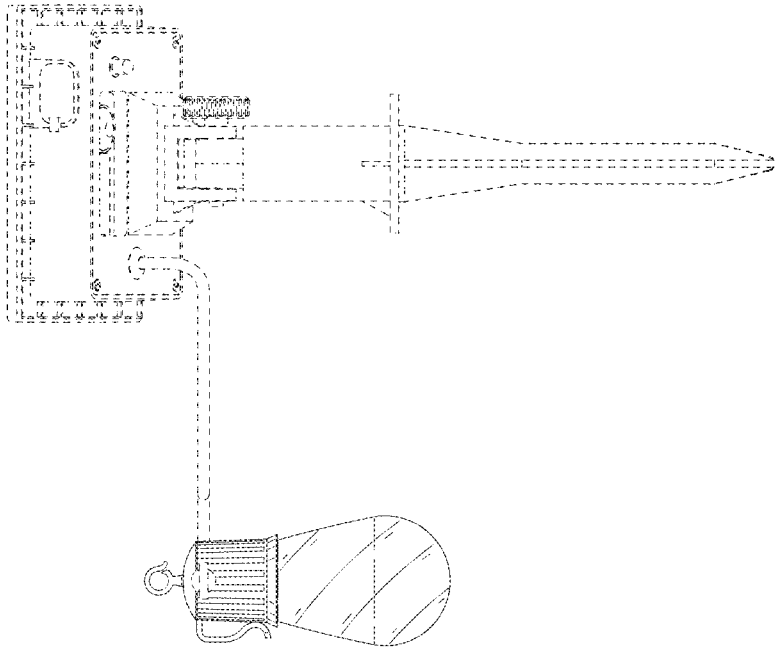


FIG. 6

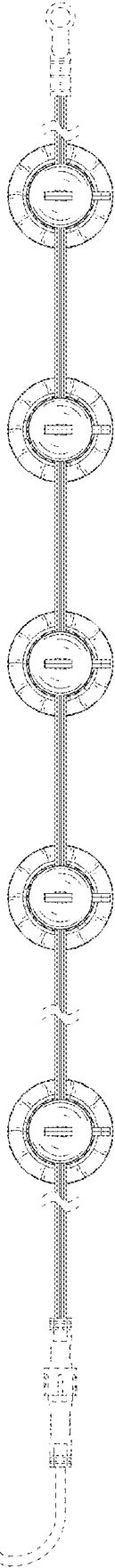


FIG. 7

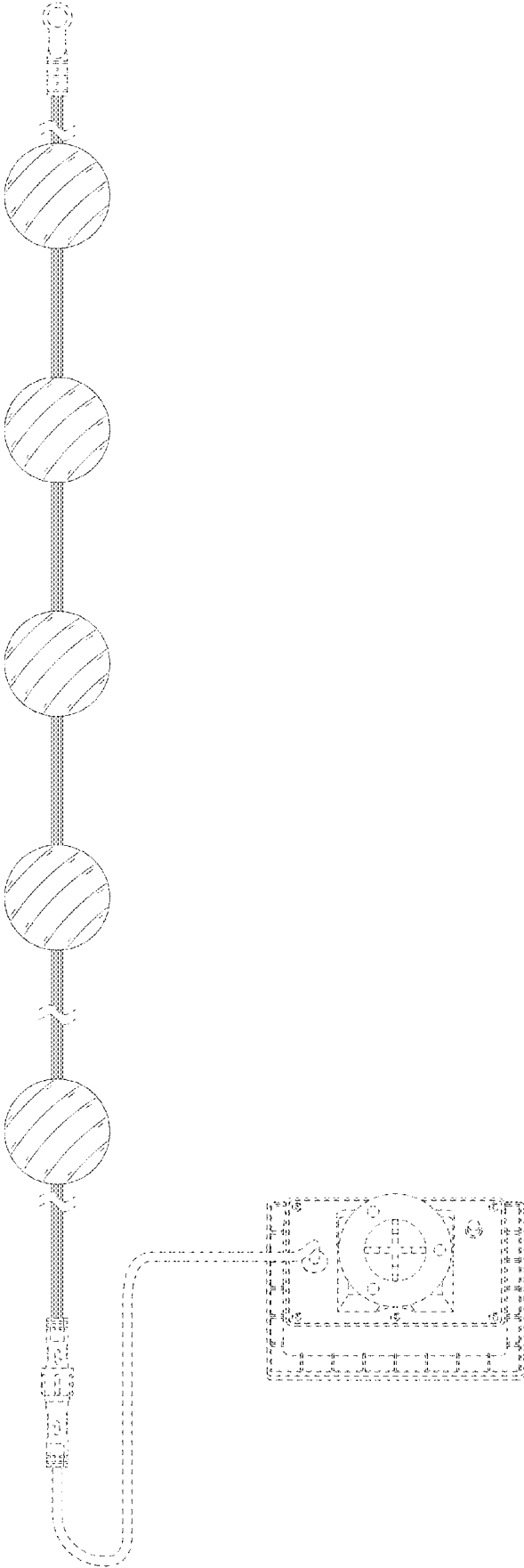


FIG. 8