



US0D1034006S

(12) **United States Design Patent**  
**Weldon et al.**

(10) **Patent No.:** **US D1,034,006 S**

(45) **Date of Patent:** **\*\* Jul. 9, 2024**

(54) **SOCCER BALL DISPLAY CASE**

(71) Applicant: **INDUCOMP Corporation**, Pacific,  
MO (US)

(72) Inventors: **John T. Weldon**, Pacific, MO (US);  
**David Day**, Union, MO (US)

(73) Assignee: **INDUCOMP Corporation**, Pacific,  
MO (US)

(\*\*) Term: **15 Years**

(21) Appl. No.: **29/761,250**

(22) Filed: **Dec. 8, 2020**

(51) **LOC (14) Cl.** ..... **20-02**

(52) **U.S. Cl.**  
USPC ..... **D6/672**

(58) **Field of Classification Search**  
USPC ..... D6/300, 301, 314, 552, 661, 668, 672,  
D6/673, 675, 678, 680.2, 682, 682.1, 683;  
D9/418, 432, 436, 445, 454, 503, 668;  
D3/304, 315; D15/79, 81; D19/76;  
D26/51, 118; D30/101; D20/10; D99/5,  
D99/17; D21/686; D28/83  
CPC ..... A61G 17/00; A63B 22/0605; A47F 3/08;  
A47F 3/004; A47F 7/0057; A47F  
2007/0092  
See application file for complete search history.

D252,588 S \* 8/1979 Spinner ..... D25/19  
D252,831 S \* 9/1979 Sovaiko ..... D26/51  
D317,838 S \* 7/1991 Millet ..... D6/661.3  
D325,483 S \* 4/1992 Muhlack ..... D6/661.3  
5,487,600 A \* 1/1996 Griffin ..... A47F 7/02  
211/85.2  
D370,372 S \* 6/1996 Kraft ..... D6/680.2  
D378,057 S \* 2/1997 Dikowitz ..... D9/418  
D405,628 S 2/1999 Terrana et al.  
5,918,393 A \* 7/1999 Martell ..... A47G 1/12  
206/315.9  
D525,127 S 7/2006 Cogley et al.  
D620,797 S \* 8/2010 Waaland ..... D9/454  
D641,258 S 7/2011 Wilson et al.  
D666,908 S \* 9/2012 Dabah ..... D9/449  
D670,935 S \* 11/2012 Weldon ..... B65D 43/0235  
D6/661.3  
D801,810 S \* 11/2017 Engel ..... D7/396.2  
D803,051 S \* 11/2017 Engel ..... D9/452  
D825,227 S \* 8/2018 Goh ..... D6/675  
D830,174 S \* 10/2018 Takezawa ..... D9/450  
D831,134 S \* 10/2018 Hillson ..... D21/686

(Continued)

*Primary Examiner* — Nathan M Johnston  
(74) *Attorney, Agent, or Firm* — Stinson LLP

(57) **CLAIM**

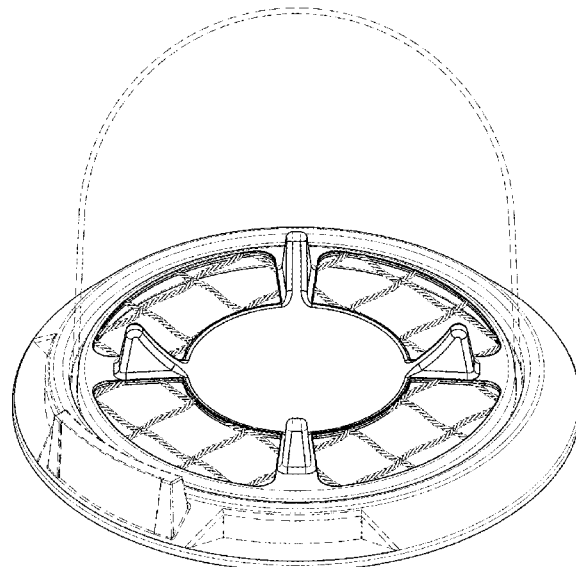
The ornamental design for a soccer ball display case, as shown and described.

**DESCRIPTION**

FIG. 1 is a perspective of a soccer ball display case showing our new design;  
FIG. 2 is a front view of the display case;  
FIG. 3 is a right side view of the display case;  
FIG. 4 is a top plan view of the display case;  
FIG. 5 is a rear view of the display case;  
FIG. 6 is a left side view of the display case; and,  
FIG. 7 is a bottom plan view of the display case.  
The elements shown in phantom form no part of the claimed design.

**1 Claim, 7 Drawing Sheets**

(56) **References Cited**  
U.S. PATENT DOCUMENTS  
D98,914 S \* 3/1936 Briscoe ..... D99/5  
D129,960 S \* 10/1941 Derham ..... D9/503  
3,269,578 A 8/1966 Lewis  
3,374,771 A \* 3/1968 Michie ..... A01K 63/003  
222/453  
3,405,984 A \* 10/1968 Clark ..... A47F 3/001  
312/223.5



(56)

**References Cited**

U.S. PATENT DOCUMENTS

D831,483 S \* 10/2018 Tseng ..... D7/396.2  
D836,436 S 12/2018 Engel et al.  
D845,128 S \* 4/2019 Eickhoff ..... D9/453  
D850,260 S \* 6/2019 Eickhoff ..... D9/454  
D899,252 S \* 10/2020 Wang ..... D9/454  
2018/0055249 A1 \* 3/2018 Goh ..... A47F 3/145  
2020/0268174 A1 \* 8/2020 Day ..... B65D 43/0208

\* cited by examiner

FIG. 1

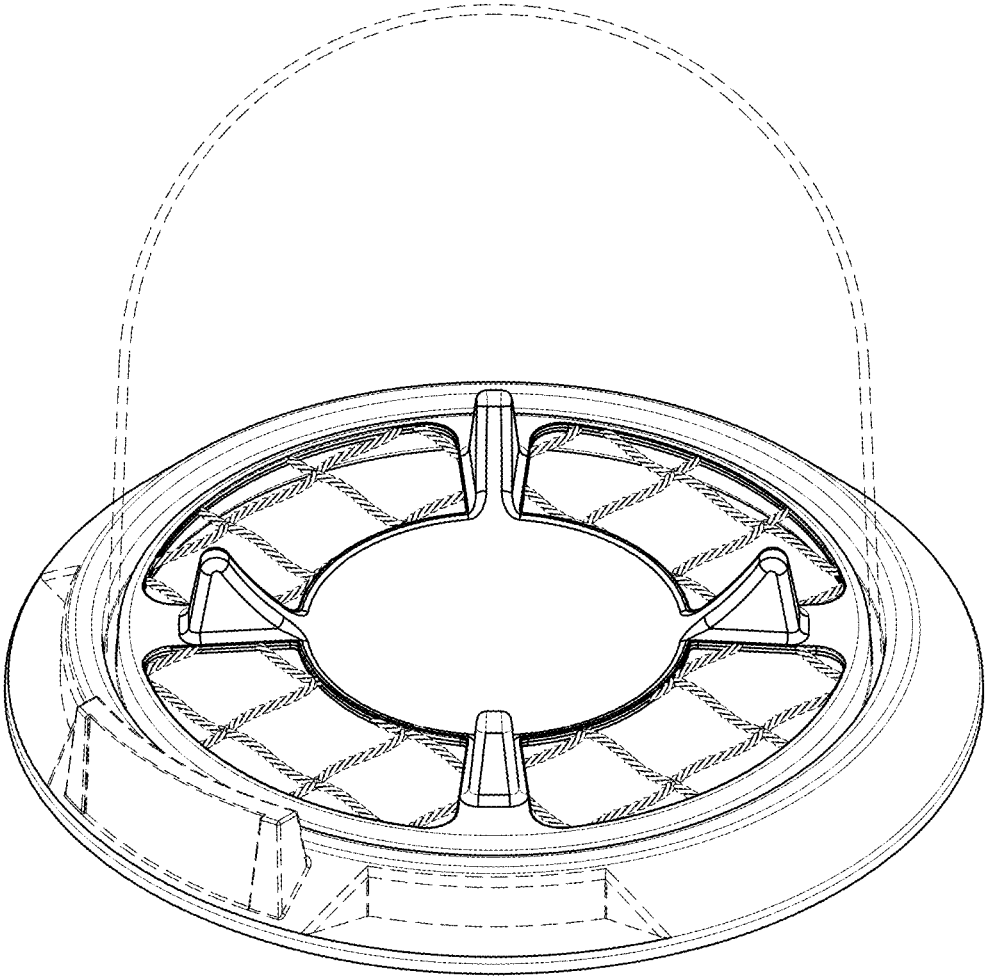


FIG. 2

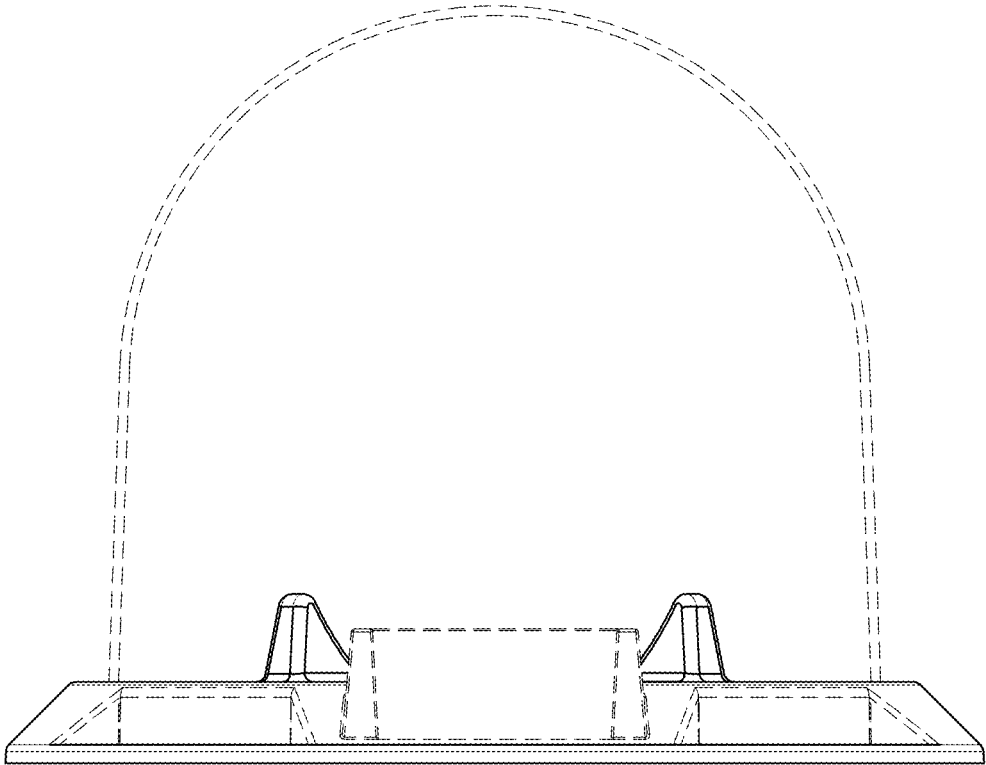


FIG. 3

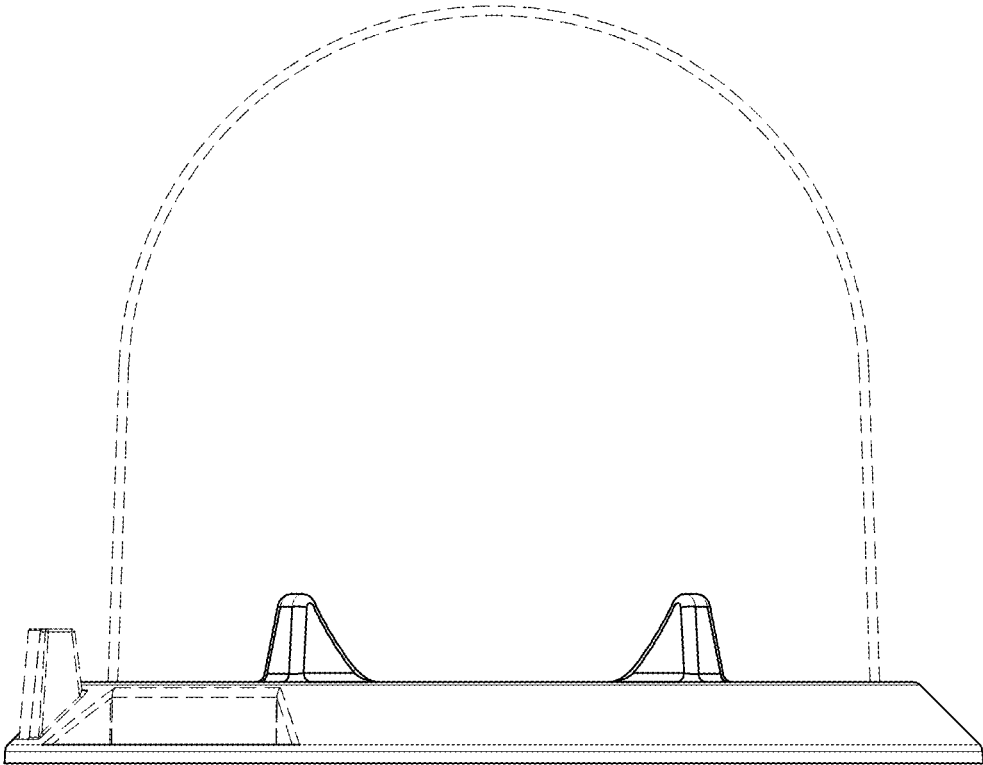


FIG. 4

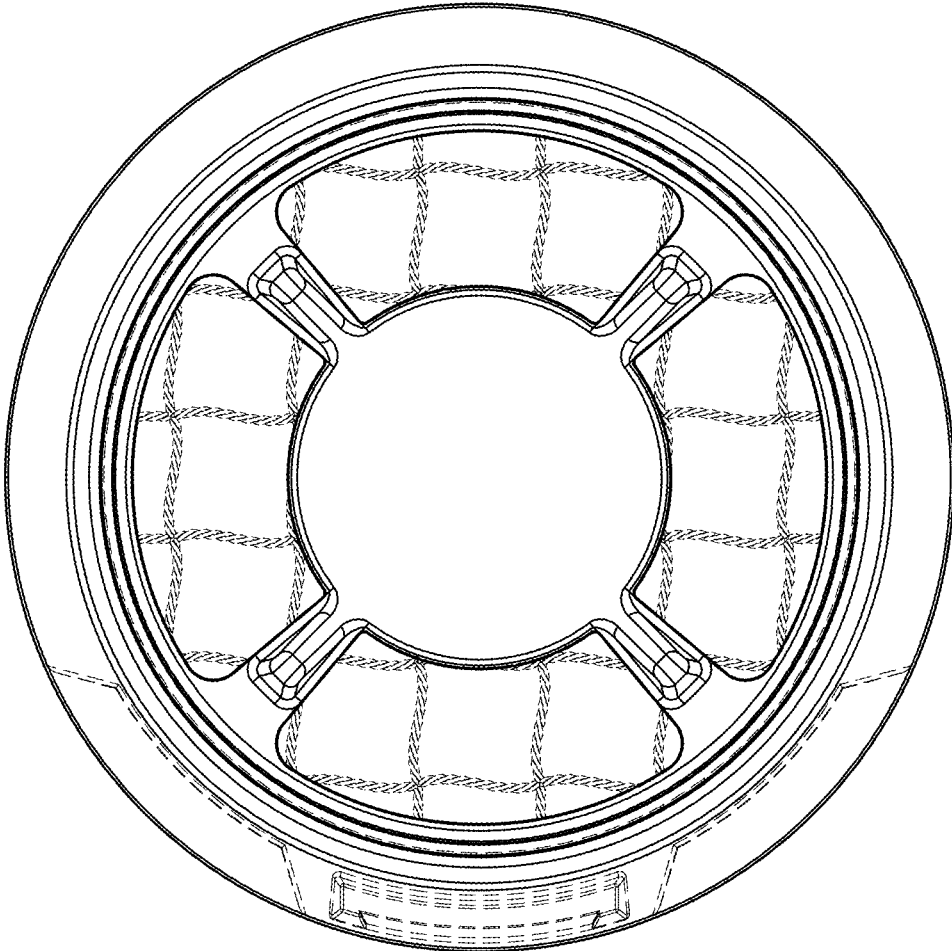


FIG. 5

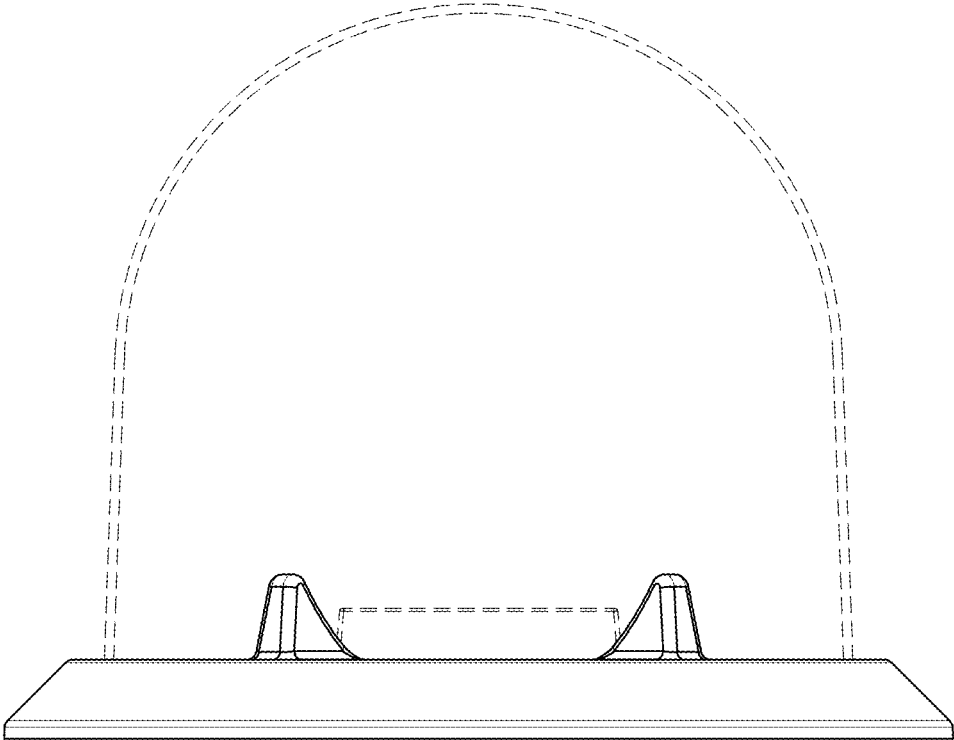


FIG. 6

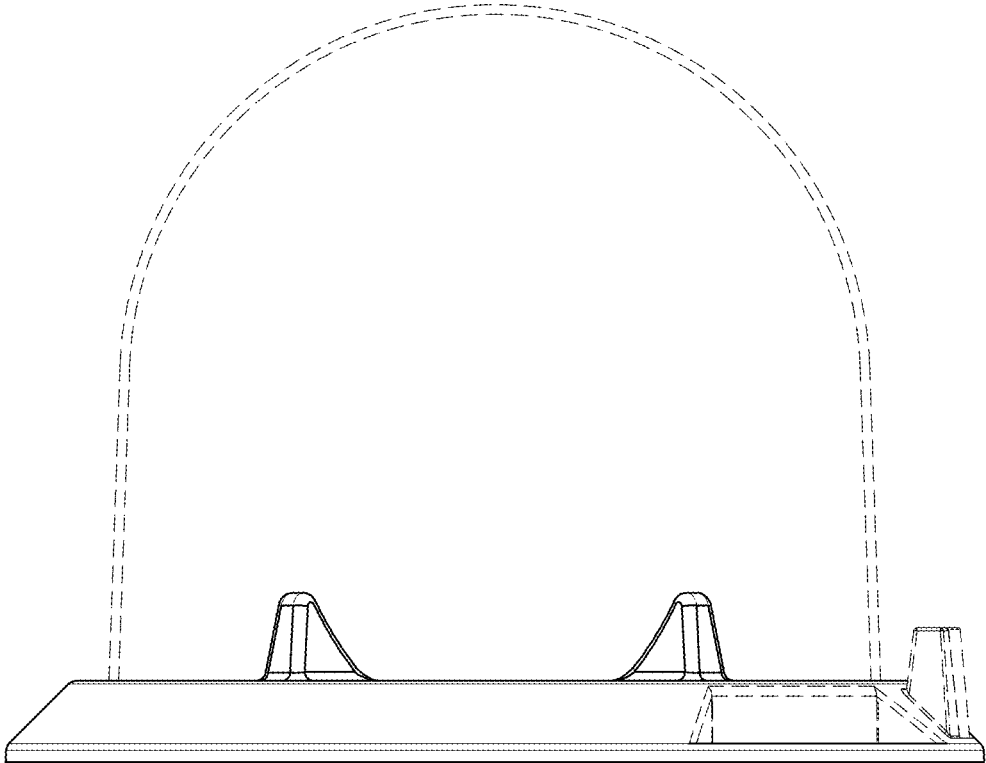




FIG. 7

