

(19) World Intellectual Property Organization  
International Bureau



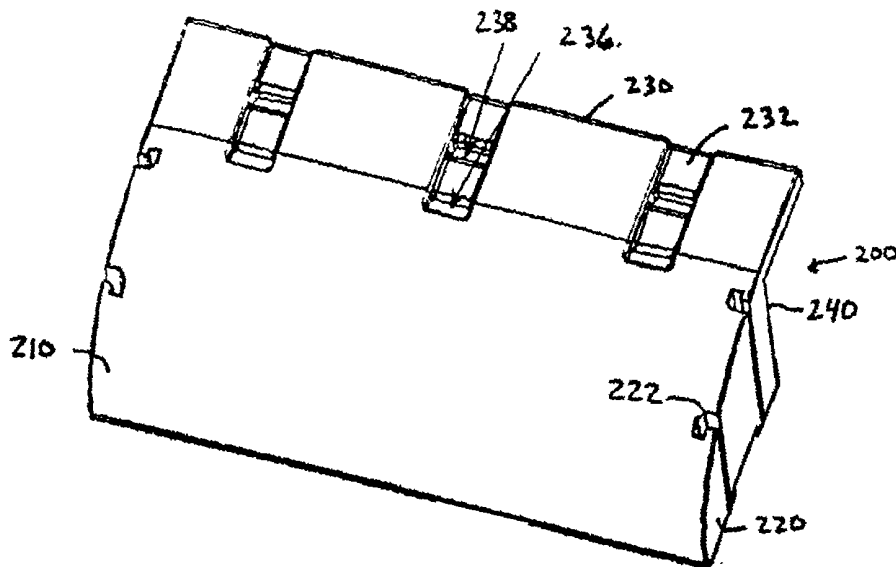
(43) International Publication Date  
13 December 2001 (13.12.2001)

PCT

(10) International Publication Number  
WO 01/95449 A3

- (51) International Patent Classification<sup>7</sup>: H02G 3/04, G02B 6/44
- (21) International Application Number: PCT/US01/17922
- (22) International Filing Date: 1 June 2001 (01.06.2001)
- (25) Filing Language: English
- (26) Publication Language: English
- (30) Priority Data: 09/585,416 2 June 2000 (02.06.2000) US
- (71) Applicant: PANDUIT CORP. [US/US]; 17301 S. Ridgeland Avenue, Tinley Park, IL 60477 (US).
- (72) Inventor: NELSON, Kevin, L.; 6040 Savannah Drive, Cummings, GA 30040 (US).
- (74) Agents: MCCANN, Robert, A. et al.; Panduit Corp., 17301 S. Ridgeland Avenue, Tinley Park, IL 60477 (US).
- (81) Designated States (*national*): AE, AG, AL, AM, AT, AU, AZ, BA, BB, BG, BR, BY, BZ, CA, CH, CN, CR, CU, CZ, DE, DK, DM, DZ, EE, ES, FI, GB, GD, GE, GH, GM, HR, HU, ID, IL, IN, IS, JP, KE, KG, KP, KR, KZ, LC, LK, LR, LS, LT, LU, LV, MA, MD, MG, MK, MN, MW, MX, MZ, NO, NZ, PL, PT, RO, RU, SD, SE, SG, SI, SK, SL, TJ, TM, TR, TT, TZ, UA, UG, UZ, VN, YU, ZA, ZW.
- (84) Designated States (*regional*): ARIPO patent (GH, GM, KE, LS, MW, MZ, SD, SL, SZ, TZ, UG, ZW), Eurasian patent (AM, AZ, BY, KG, KZ, MD, RU, TJ, TM), European patent (AT, BE, CH, CY, DE, DK, ES, FI, FR, GB, GR, IE, IT, LU, MC, NL, PT, SE, TR), OAPI patent (BF, BJ, CF, CG, CI, CM, GA, GN, GW, ML, MR, NE, SN, TD, TG).
- Published:  
— with international search report
- (88) Date of publication of the international search report:  
28 March 2002
- For two-letter codes and other abbreviations, refer to the "Guidance Notes on Codes and Abbreviations" appearing at the beginning of each regular issue of the PCT Gazette.*

(54) Title: MODULAR BEND RADIUS CONTROL FIXTURE



(57) Abstract: A reconfigurable modular bend radius control fixture system allows for customization of bend module sections to achieve a variety of configurations with only a minimal number of different parts. The system includes at least one main section having a curved surface with a predetermined radius that provides a first bend radius control surface and side walls, at least one straight side plate section removably mountable to the side walls of the main section, the side plate section having a side wall that extends beyond the curved surface when mounted, and at least one bend radius control side plate removably mountable to the side walls of the main section. The bend radius control side plate section forms a second bend radius control surface. These sections can be mounted in various configurations to form a bend radius control fixture that can be mounted to a mount member of a cable management system, such as a ladder rack. The fixture is particularly suited for assisting management of sensitive cabling, such as fiber optic cabling or category 5 and 6 cabling.

INTERNATIONAL SEARCH REPORT

International Application No  
PCT/US 01/17922

**A. CLASSIFICATION OF SUBJECT MATTER**  
IPC 7 H02G3/04 G02B6/44

According to International Patent Classification (IPC) or to both national classification and IPC

**B. FIELDS SEARCHED**  
Minimum documentation searched (classification system followed by classification symbols)  
IPC 7 H02G G02B

Documentation searched other than minimum documentation to the extent that such documents are included in the fields searched

Electronic data base consulted during the international search (name of data base and, where practical, search terms used)  
WPI Data, PAJ, EPO-Internal

**C. DOCUMENTS CONSIDERED TO BE RELEVANT**

Category °	Citation of document, with indication where appropriate, of the relevant passages	Relevant to claim No.
A	US 5 937 131 A (HAATAJA TIMOTHY JON ET AL) 10 August 1999 (1999-08-10) figures -----	1

Further documents are listed in the continuation of box C  Patent family members are listed in annex.

° Special categories of cited documents

\*A\* document defining the general state of the art which is not considered to be of particular relevance

\*E\* earlier document but published on or after the international filing date

\*L\* document which may throw doubts on priority claim(s) or which is cited to establish the publication date of another citation or other special reason (as specified)

\*O\* document referring to an oral disclosure, use, exhibition or other means

\*P\* document published prior to the international filing date but later than the priority date claimed

\*T\* later document published after the international filing date or priority date and not in conflict with the application but cited to understand the principle or theory underlying the invention

\*X\* document of particular relevance; the claimed invention cannot be considered novel or cannot be considered to involve an inventive step when the document is taken alone

\*Y\* document of particular relevance; the claimed invention cannot be considered to involve an inventive step when the document is combined with one or more other such documents, such combination being obvious to a person skilled in the art.

\*&\* document member of the same patent family

Date of the actual completion of the international search 20 December 2001	Date of mailing of the international search report 03/01/2002
---	--

Name and mailing address of the ISA European Patent Office, P.B. 5818 Patentlaan 2 NL - 2280 HV Rijswijk Tel. (+31-70) 340-2040, Tx. 31 651 epo nl. Fax: (+31-70) 340-3016	Authorized officer Rieutort, A
--	-----------------------------------

# INTERNATIONAL SEARCH REPORT

Information on patent family members

International Application No

PCT/US 01/17922

Patent document cited in search report	Publication date	Patent family member(s)	Publication date
US 5937131	A	10-08-1999 US 6192181 B1	20-02-2001