

223,071

BICYCLE FRAME

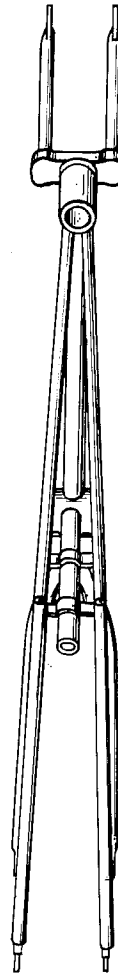
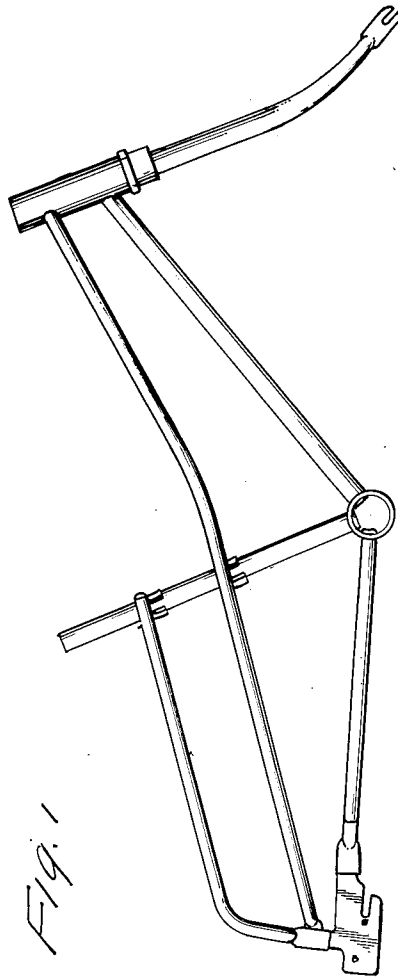
Viktor Schreckengost, Cleveland Heights, Ohio, assignor
to The Murray Ohio Manufacturing Co., Nashville,
Tenn.

Filed Aug. 20, 1970, Ser. No. 24,612

Term of patent 14 years

Int. Cl. D12-11

U.S. Cl. D90-8



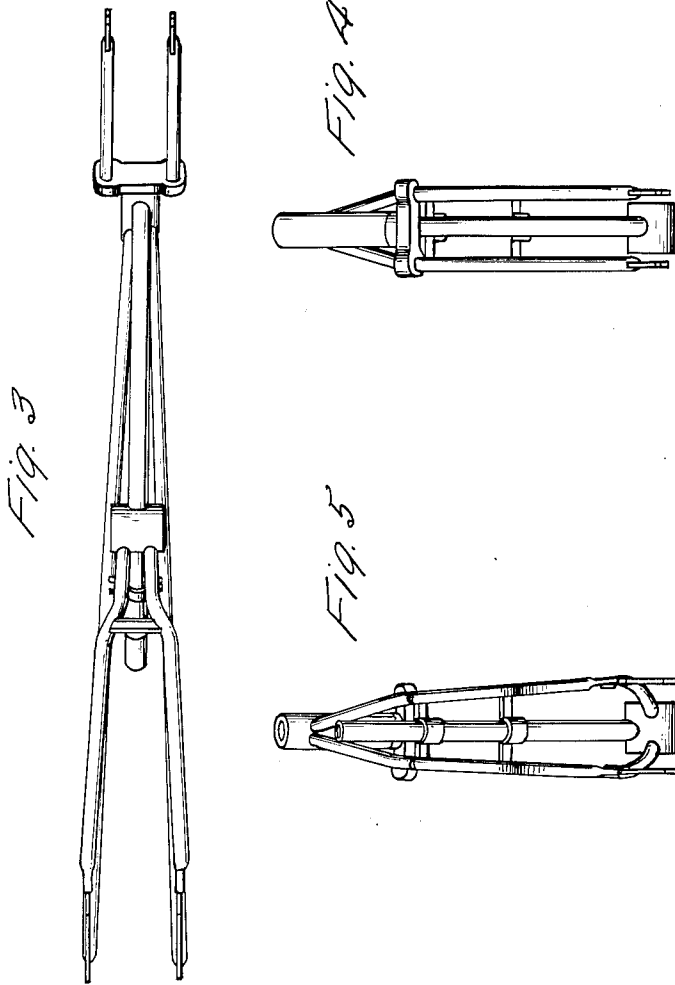


FIG. 1 is a side elevational view of a bicycle frame showing my new design;

FIG. 2 is a top plan view thereof;

FIG. 3 is a bottom plan view thereof;

FIG. 4 is a front perspective view thereof; and

FIG. 5 is a rear perspective view thereof.

I claim:

The ornamental design for a bicycle frame, substantially as shown.

References Cited

UNITED STATES PATENTS

D. 170,169 8/1953 Schreckengost D90—8

FOREIGN PATENTS

942,350 9/1948 France.

1,192,586 4/1959 France.

OTHER REFERENCES

American Bicyclist and Motorcyclist, July 1968, page 46, Stelber Charger bicycle at bottom.

J. PAUL GUERTIN, Primary Examiner