



(51) International Patent Classification:

F41A 17/06 (2006.01) F41A 17/56 (2006.01)
F41A 17/46 (2006.01) F41A 19/59 (2006.01)

(21) International Application Number:

PCT/US2022/033372

(22) International Filing Date:

14 June 2022 (14.06.2022)

(25) Filing Language:

English

(26) Publication Language:

English

(30) Priority Data:

63/210,366 14 June 2021 (14.06.2021) US

(71) Applicants: **XAVIER DEFENSE LLC** [US/US]; 5150 Tamiami Trail North, Suite 300, Naples, Florida 34103 (US). **AZT TECHNOLOGY, DBA AZIMUTH TECHNOLOGY** [US/US]; 10130 Market Street #7, Naples, Virginia 34112 (US). **RFPH, LLC** [US/US]; 4413 Bluebonnet Suite 8, Stafford, Virginia 77477 (US).

(72) Inventors: **VAN METER, Charles Z.**; 5150 Tamiami Trail North, Suite 300, Naples, Florida 34103 (US). **SPECTOR, David M.**; 5150 Tamiami Trail North, Suite 300, Naples, Florida 34103 (US). **HAAG, Phillip E.**; 5150 Tamiami Trail North, Suite 300, Naples, Florida 34103 (US). **KURTIN, Roger Chase**; 5150 Tamiami Trail North, Suite 300, Naples, Florida 34103 (US).

(81) Designated States (unless otherwise indicated, for every kind of national protection available): AE, AG, AL, AM, AO, AT, AU, AZ, BA, BB, BG, BH, BN, BR, BW, BY, BZ, CA, CH, CL, CN, CO, CR, CU, CZ, DE, DJ, DK, DM, DO, DZ, EC, EE, EG, ES, FI, GB, GD, GE, GH, GM, GT, HN, HR, HU, ID, IL, IN, IQ, IR, IS, IT, JM, JO, JP, KE, KG, KH, KN, KP, KR, KW, KZ, LA, LC, LK, LR, LS, LU, LY, MA, MD, ME, MG, MK, MN, MW, MX, MY, MZ, NA, NG, NI, NO, NZ, OM, PA, PE, PG, PH, PL, PT, QA, RO, RS, RU, RW, SA, SC, SD, SE, SG, SK, SL, ST, SV, SY, TH, TJ, TM, TN, TR, TT, TZ, UA, UG, US, UZ, VC, VN, WS, ZA, ZM, ZW.

(84) Designated States (unless otherwise indicated, for every kind of regional protection available): ARIPO (BW, GH,

(54) Title: ELECTRONIC TRIGGER ASSEMBLIES, SYSTEMS, LOWER RECEIVERS AND FIREARMS INCLUDING THE SAME

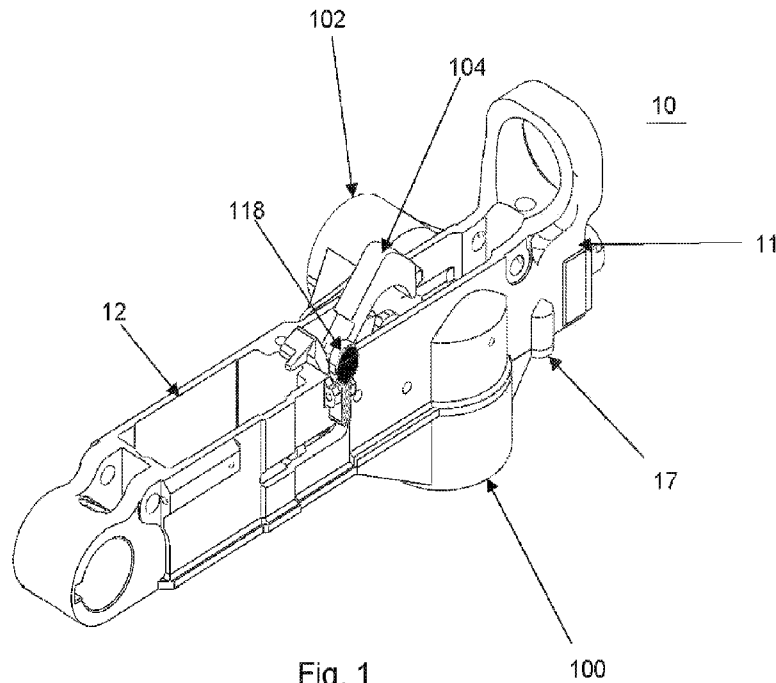


Fig. 1

(57) Abstract: An electronic trigger assembly for a firearm includes a firearm control mechanism, a safety actuator and a firing actuator. The firing control mechanism is configured to operate in a safe mode or a shot mode. The safety actuator is configured to actuate a safety rod linearly in a first direction to switch the firing control mechanism between the safe mode and the shot mode. The firing actuator is configured to actuate a firing plunger linearly in a second direction to actuate the firing control mechanism in the shot mode.



GM, KE, LR, LS, MW, MZ, NA, RW, SD, SL, ST, SZ, TZ,
UG, ZM, ZW), Eurasian (AM, AZ, BY, KG, KZ, RU, TJ,
TM), European (AL, AT, BE, BG, CH, CY, CZ, DE, DK,
EE, ES, FI, FR, GB, GR, HR, HU, IE, IS, IT, LT, LU, LV,
MC, MK, MT, NL, NO, PL, PT, RO, RS, SE, SI, SK, SM,
TR), OAPI (BF, BJ, CF, CG, CI, CM, GA, GN, GQ, GW,
KM, ML, MR, NE, SN, TD, TG).

Published:

- *with international search report (Art. 21(3))*
- *before the expiration of the time limit for amending the claims and to be republished in the event of receipt of amendments (Rule 48.2(h))*

(88) Date of publication of the international search report:

13 April 2023 (13.04.2023)

(15) Information about Correction:

see Notice of 09 March 2023 (09.03.2023)

INTERNATIONAL SEARCH REPORT

International application No PCT/US2022/033372

A. CLASSIFICATION OF SUBJECT MATTER
INV. F41A17/06 F41A17/46 F41A17/56 F41A19/59
ADD.

According to International Patent Classification (IPC) or to both national classification and IPC

B. FIELDS SEARCHED

Minimum documentation searched (classification system followed by classification symbols)
F41A

Documentation searched other than minimum documentation to the extent that such documents are included in the fields searched

Electronic data base consulted during the international search (name of data base and, where practicable, search terms used)

EPO-Internal, WPI Data

C. DOCUMENTS CONSIDERED TO BE RELEVANT

Category*	Citation of document, with indication, where appropriate, of the relevant passages	Relevant to claim No.
X	EP 2 048 468 A2 (RHEINMETALL LANDSYSTEME GMBH [DE]) 15 April 2009 (2009-04-15) claim 1; figures 1-5 <p style="text-align: center;">-----</p>	1, 3-5, 8-10, 13, 14, 26
Y	US 2016/084601 A1 (ALICEA JR BENJAMIN [US]) 24 March 2016 (2016-03-24) claim 1; figures 1-6 <p style="text-align: center;">-----</p>	1, 2, 4-7, 11, 12, 15-25, 27-30
Y	WO 2016/019305 A2 (TRACKINGPOINT INC [US]) 4 February 2016 (2016-02-04) paragraph [0058]; claim 1; figures 1-6 <p style="text-align: center;">-----</p> <p style="text-align: center;">-/--</p>	1, 2, 4-7, 11, 12, 15-25, 27-30

Further documents are listed in the continuation of Box C.

See patent family annex.

* Special categories of cited documents :

- "A" document defining the general state of the art which is not considered to be of particular relevance
- "E" earlier application or patent but published on or after the international filing date
- "L" document which may throw doubts on priority claim(s) or which is cited to establish the publication date of another citation or other special reason (as specified)
- "O" document referring to an oral disclosure, use, exhibition or other means
- "P" document published prior to the international filing date but later than the priority date claimed

- "T" later document published after the international filing date or priority date and not in conflict with the application but cited to understand the principle or theory underlying the invention
- "X" document of particular relevance; the claimed invention cannot be considered novel or cannot be considered to involve an inventive step when the document is taken alone
- "Y" document of particular relevance; the claimed invention cannot be considered to involve an inventive step when the document is combined with one or more other such documents, such combination being obvious to a person skilled in the art
- "&" document member of the same patent family

Date of the actual completion of the international search

Date of mailing of the international search report

9 February 2023

17/02/2023

Name and mailing address of the ISA/
 European Patent Office, P.B. 5818 Patentlaan 2
 NL - 2280 HV Rijswijk
 Tel. (+31-70) 340-2040,
 Fax: (+31-70) 340-3016

Authorized officer

Beaufumé, Cédric

INTERNATIONAL SEARCH REPORT

International application No
PCT/US2022/033372

C(Continuation). DOCUMENTS CONSIDERED TO BE RELEVANT

Category*	Citation of document, with indication, where appropriate, of the relevant passages	Relevant to claim No.
A	US 4 718 187 A (BLAKE FRANK W [US]) 12 January 1988 (1988-01-12) claim 1; figures 1-7 -----	1, 14

INTERNATIONAL SEARCH REPORT

Information on patent family members

International application No

PCT/US2022/033372

Patent document cited in search report	Publication date	Patent family member(s)	Publication date
EP 2048468	A2	15-04-2009	DE 102008025499 A1
		EP 2048468 A2	09-04-2009
			15-04-2009

US 2016084601	A1	24-03-2016	US 2016084601 A1
		US 2017102199 A1	24-03-2016
		US 2019204037 A1	13-04-2017
			04-07-2019

WO 2016019305	A2	04-02-2016	US 2016061549 A1
		WO 2016019305 A2	03-03-2016
			04-02-2016

US 4718187	A	12-01-1988	CA 1277858 C
		EP 0325612 A1	18-12-1990
		IL 84082 A	02-08-1989
		US 4718187 A	21-02-1993
		WO 8802466 A1	12-01-1988
			07-04-1988
