

(19) World Intellectual Property Organization
International Bureau



(43) International Publication Date
10 February 2005 (10.02.2005)

PCT

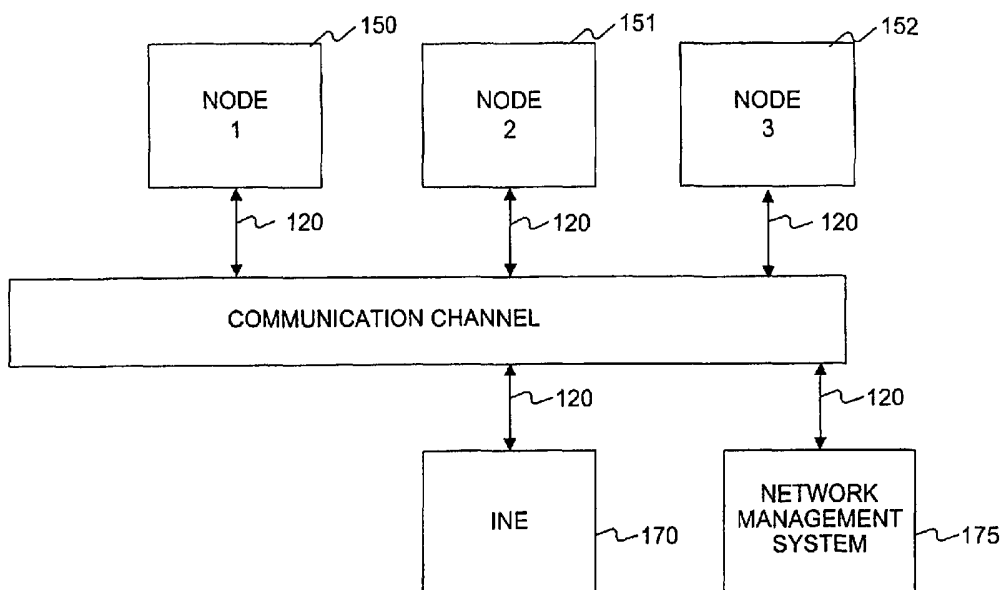
(10) International Publication Number
WO 2005/013557 A3

- (51) International Patent Classification⁷: **H04L 12/24** 01886 (US). GARY, Eric, W. [US/US]; 56 High Road, Lee, NH 03824 (US).
- (21) International Application Number: PCT/US2004/025046 (74) Agent: GARRETT, Arthur, S.; Finnegan, Henderson, Farabow, Garrett & Dunner, LLP, 1300 I Street, N.W., Washington, DC 20005-3315 (US).
- (22) International Filing Date: 2 August 2004 (02.08.2004) (81) Designated States (unless otherwise indicated, for every kind of national protection available): AE, AG, AL, AM, AT, AU, AZ, BA, BB, BG, BR, BW, BY, BZ, CA, CH, CN, CO, CR, CU, CZ, DE, DK, DM, DZ, EC, EE, EG, ES, FI, GB, GD, GE, GH, GM, HR, HU, ID, IL, IN, IS, JP, KE, KG, KP, KR, KZ, LC, LK, LR, LS, LT, LU, LV, MA, MD, MG, MK, MN, MW, MX, MZ, NA, NI, NO, NZ, OM, PG, PH, PL, PT, RO, RU, SC, SD, SE, SG, SK, SL, SY, TJ, TM, TN, TR, TT, TZ, UA, UG, US, UZ, VC, VN, YU, ZA, ZM, ZW.
- (25) Filing Language: English
- (26) Publication Language: English
- (30) Priority Data:

60/491,566	1 August 2003 (01.08.2003)	US
10/845,517	14 May 2004 (14.05.2004)	US
60/577,165	7 June 2004 (07.06.2004)	US
- (71) Applicant (for all designated States except US): WEST RIDGE NETWORKS [US/US]; 25 Porter Road, Littleton, MA 01460 (US).
- (72) Inventors; and
- (75) Inventors/Applicants (for US only): KANNAN, Navneeth, N. [IN/US]; 13 April Lane, Westford, MA
- (84) Designated States (unless otherwise indicated, for every kind of regional protection available): ARIPO (BW, GH, GM, KE, LS, MW, MZ, NA, SD, SL, SZ, TZ, UG, ZM, ZW), Eurasian (AM, AZ, BY, KG, KZ, MD, RU, TJ, TM), European (AT, BE, BG, CH, CY, CZ, DE, DK, EE, ES, FI, FR, GB, GR, HU, IE, IT, LU, MC, NL, PL, PT, RO, SE, SI,

[Continued on next page]

(54) Title: SYSTEMS AND METHODS FOR INFERRING SERVICES ON A NETWORK



(57) Abstract: Systems and methods are disclosed for simulating network performance. In one exemplary embodiment, the method includes inferring one or more services on the network; collecting network information based on actual traffic on the network determining a traffic generator, such that the traffic generator represents the actual traffic on the network from a perspective of at least one of the inferred services; and simulating performance of the network using the determined traffic generator and at least one of the inferred services.

WO 2005/013557 A3



SK, TR), OAPI (BF, BJ, CF, CG, CI, CM, GA, GN, GQ, GW, ML, MR, NE, SN, TD, TG).

For two-letter codes and other abbreviations, refer to the "Guidance Notes on Codes and Abbreviations" appearing at the beginning of each regular issue of the PCT Gazette.

Published:

- *with international search report*
- *before the expiration of the time limit for amending the claims and to be republished in the event of receipt of amendments*

(88) Date of publication of the international search report:

28 April 2005

INTERNATIONAL SEARCH REPORT

International Application No
PCT/US2004/025046

A. CLASSIFICATION OF SUBJECT MATTER IPC 7 H04L12/24		
According to international Patent Classification (IPC) or to both national classification and IPC		
B. FIELDS SEARCHED		
Minimum documentation searched (classification system followed by classification symbols) IPC 7 H04L		
Documentation searched other than minimum documentation to the extent that such documents are included in the fields searched		
Electronic data base consulted during the international search (name of data base and, where practical, search terms used) EPO-Internal, WPI Data, PAJ, INSPEC		
C. DOCUMENTS CONSIDERED TO BE RELEVANT		
Category *	Citation of document, with indication, where appropriate, of the relevant passages	Relevant to claim No.
X	US 5 964 837 A (CHAO CHIH WEI ET AL) 12 October 1999 (1999-10-12) column 2, line 32 - line 38 column 3, line 28 - line 31 column 3, line 65 - column 4, line 39 column 5, line 15 - line 22 column 6, line 1 - line 12 -----	1,71,75, 81
X	US 5 568 605 A (CLOUSTON ROBERT D ET AL) 22 October 1996 (1996-10-22) column 1, line 65 - column 2, line 22 column 2, line 61 - column 3, line 12 -----	1,71,75, 81
<input type="checkbox"/> Further documents are listed in the continuation of box C.		
<input checked="" type="checkbox"/> Patent family members are listed in annex.		
* Special categories of cited documents :		
"A" document defining the general state of the art which is not considered to be of particular relevance	"T" later document published after the international filing date or priority date and not in conflict with the application but cited to understand the principle or theory underlying the invention	
"E" earlier document but published on or after the international filing date	"X" document of particular relevance; the claimed invention cannot be considered novel or cannot be considered to involve an inventive step when the document is taken alone	
"L" document which may throw doubts on priority claim(s) or which is cited to establish the publication date of another citation or other special reason (as specified)	"Y" document of particular relevance; the claimed invention cannot be considered to involve an inventive step when the document is combined with one or more other such documents, such combination being obvious to a person skilled in the art.	
"O" document referring to an oral disclosure, use, exhibition or other means	"&" document member of the same patent family	
"P" document published prior to the international filing date but later than the priority date claimed		
Date of the actual completion of the international search <p style="text-align: center; font-size: 1.2em;">23 November 2004</p>	Date of mailing of the international search report <p style="text-align: center; font-size: 1.2em;">07 03 2005</p>	
Name and mailing address of the ISA European Patent Office, P.B. 5818 Patentlaan 2 NL - 2280 HV Rijswijk Tel. (+31-70) 340-2040, Tx. 31 651 epo nl, Fax: (+31-70) 340-3016	Authorized officer <p style="text-align: center; font-size: 1.2em;">Tous Fajardo, J</p>	

INTERNATIONAL SEARCH REPORT

International application No.
PCT/US2004/025046

Box II Observations where certain claims were found unsearchable (Continuation of item 2 of first sheet)

This International Search Report has not been established in respect of certain claims under Article 17(2)(a) for the following reasons:

1. Claims Nos.:
because they relate to subject matter not required to be searched by this Authority, namely:

2. Claims Nos.:
because they relate to parts of the International Application that do not comply with the prescribed requirements to such an extent that no meaningful International Search can be carried out, specifically:

3. Claims Nos.:
because they are dependent claims and are not drafted in accordance with the second and third sentences of Rule 6.4(a).

Box III Observations where unity of invention is lacking (Continuation of item 3 of first sheet)

This International Searching Authority found multiple inventions in this international application, as follows:

see additional sheet

1. As all required additional search fees were timely paid by the applicant, this International Search Report covers all searchable claims.
2. As all searchable claims could be searched without effort justifying an additional fee, this Authority did not invite payment of any additional fee.
3. As only some of the required additional search fees were timely paid by the applicant, this International Search Report covers only those claims for which fees were paid, specifically claims Nos.:
4. No required additional search fees were timely paid by the applicant. Consequently, this International Search Report is restricted to the invention first mentioned in the claims; it is covered by claims Nos.:

1, 71, 75, 81

Remark on Protest

- The additional search fees were accompanied by the applicant's protest.
- No protest accompanied the payment of additional search fees.

FURTHER INFORMATION CONTINUED FROM PCT/ISA/ 210

This International Searching Authority found multiple (groups of) inventions in this international application, as follows:

1. claims: 1,71,75,81

Resolving network topology conflicts

2. claims: 2-18,72,76-80,82-86

Protocol based service discovery

3. claims: 19-48,73,87-94

Method and system for managing a network

4. claims: 49-52,95,96

Determining the number of nodes exporting route targets

5. claims: 53-70,74,97-110

Method and system for storing event based network
information

6. claims: 111-118

Method and system for simulating network performance

INTERNATIONAL SEARCH REPORT

International Application No
PCT/US2004/025046

Patent document cited in search report		Publication date	Patent family member(s)	Publication date
US 5964837	A	12-10-1999	NONE	
US 5568605	A	22-10-1996	GB 2285727 A	19-07-1995