



(11) **EP 1 847 768 A3**

(12) **EUROPEAN PATENT APPLICATION**

(88) Date of publication A3:  
**13.02.2008 Bulletin 2008/07**

(51) Int Cl.:  
**F21V 17/16<sup>(2006.01)</sup> F21V 15/01<sup>(2006.01)</sup>**

(43) Date of publication A2:  
**24.10.2007 Bulletin 2007/43**

(21) Application number: **07105917.4**

(22) Date of filing: **11.04.2007**

(84) Designated Contracting States:  
**AT BE BG CH CY CZ DE DK EE ES FI FR GB GR  
HU IE IS IT LI LT LU LV MC MT NL PL PT RO SE  
SI SK TR**  
Designated Extension States:  
**AL BA HR MK YU**

(71) Applicant: **iGUZZINI ILLUMINAZIONE S.p.A.  
62019 Recanati-Macerata (IT)**

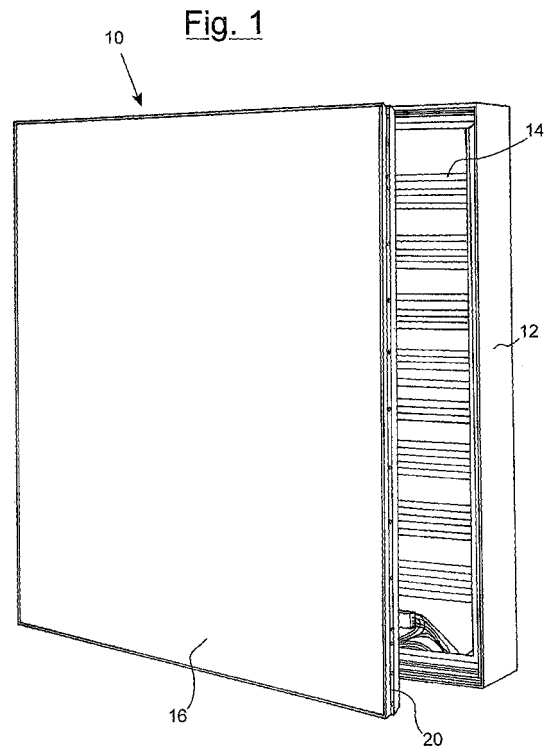
(72) Inventor: **Guzzini, Giannunzio  
62019 Recanati (Macerata) (IT)**

(30) Priority: **21.04.2006 IT MI20060144 U**

(74) Representative: **De Gregori, Antonella et al  
Ing. Barzano' & Zanardo Milano S.p.A.  
Via Borgonuovo 10  
20121 Milano (IT)**

(54) **Lighting apparatus with high light diffusion**

(57) A lighting apparatus (10) with high light diffusion, comprising a box-shaped main body (12) open on one side, inside of which at least one light source (14) is housed and on the open side of which a diffusing screen (16) is arranged. The diffusing screen (16) is fixed to a support structure (20) able to be attached to the box-shaped body (12), so that the perimetric portion of the support structure (20) substantially coincides with the perimetric walls of the box-shaped body (12).



**EP 1 847 768 A3**



DOCUMENTS CONSIDERED TO BE RELEVANT			
Category	Citation of document with indication, where appropriate, of relevant passages	Relevant to claim	CLASSIFICATION OF THE APPLICATION (IPC)
X	DE 102 53 343 A1 (DER KLUTH DECKE UND LICHT GMBH [DE]) 27 May 2004 (2004-05-27) * page 5, paragraph 30 - paragraph 31 * * abstract * * figures 1,2 *	1,2	INV. F21V17/16 F21V15/01
X	US 3 248 536 A (DOCIMO PETER J ET AL) 26 April 1966 (1966-04-26) * column 2, line 11 - column 3, line 7 * * figures 1-5 *	1-5	
X	US 3 737 654 A (HAWLEY W) 5 June 1973 (1973-06-05) * column 1, line 53 - column 3, line 60 * * figure 1 *	1,3,5	
A	US 3 186 129 A (BINDON BLOOD PETER) 1 June 1965 (1965-06-01) * the whole document *	1-5	
A	WO 03/071182 A (KONINKL PHILIPS ELECTRONICS NV [NL]; DICKEN NORBERT [NL]) 28 August 2003 (2003-08-28) * the whole document *	1-5	TECHNICAL FIELDS SEARCHED (IPC) F21V
The present search report has been drawn up for all claims			
Place of search The Hague		Date of completion of the search 8 January 2008	Examiner Blokland, Russell
CATEGORY OF CITED DOCUMENTS X : particularly relevant if taken alone Y : particularly relevant if combined with another document of the same category A : technological background O : non-written disclosure P : intermediate document		T : theory or principle underlying the invention E : earlier patent document, but published on, or after the filing date D : document cited in the application L : document cited for other reasons ..... & : member of the same patent family, corresponding document	

3 EPO FORM 1503 03.82 (PO4C01)

**ANNEX TO THE EUROPEAN SEARCH REPORT  
ON EUROPEAN PATENT APPLICATION NO.**

EP 07 10 5917

This annex lists the patent family members relating to the patent documents cited in the above-mentioned European search report. The members are as contained in the European Patent Office EDP file on  
The European Patent Office is in no way liable for these particulars which are merely given for the purpose of information.

08-01-2008

Patent document cited in search report	Publication date	Patent family member(s)	Publication date
DE 10253343 A1	27-05-2004	NONE	
-----			
US 3248536 A	26-04-1966	NONE	
-----			
US 3737654 A	05-06-1973	NONE	
-----			
US 3186129 A	01-06-1965	DE 1247597 B	17-08-1967
		DK 106401 C	30-01-1967
		GB 1001485 A	18-08-1965
-----			
WO 03071182 A	28-08-2003	AU 2003202741 A1	09-09-2003
		CN 1639507 A	13-07-2005
		US 2005157498 A1	21-07-2005
-----			