

(19) World Intellectual Property Organization
International Bureau



(43) International Publication Date
18 December 2008 (18.12.2008)

PCT

(10) International Publication Number
WO 2008/152631 A3

- (51) International Patent Classification:
B65D 77/04 (2006.01)
- (21) International Application Number:
PCT/IL2008/000791
- (22) International Filing Date: 11 June 2008 (11.06.2008)
- (25) Filing Language: English
- (26) Publication Language: English
- (30) Priority Data:
11/811,785 12 June 2007 (12.06.2007) US
61/003,858 19 November 2007 (19.11.2007) US
- (71) Applicant (for all designated States except US): **LOG - PLASTIC PRODUCTS COMPANY (1993) LTD.** [IL/IL]; Ashdot Yaacov Ichud, 15155 Jordan Valley (IL).
- (72) Inventors; and
- (75) Inventors/Applicants (for US only): **PELEG, Dan** [IL/IL]; 29 Calaniyot Street, 36052 Kiryat Tivon (IL). **BARKAI, Yari** [IL/IL]; Kibbutz Ashdot Yaacov Ichud, 15155 D.N. Jordan Valley (IL). **SHAY, Amit** [IL/IL]; 184 Zivoni Street, 19351 Gan Ner (IL).
- (74) Agents: **SANFORD T. COLB & CO.** et al.; P.O. Box 2273, 76122 Rehovot (IL).
- (81) Designated States (unless otherwise indicated, for every kind of national protection available): AE, AG, AL, AM,

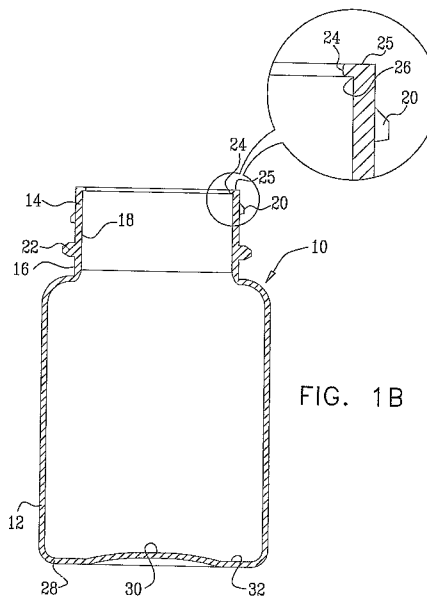
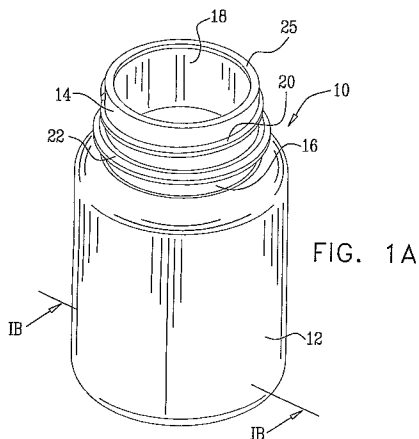
AO, AT, AU, AZ, BA, BB, BG, BH, BR, BW, BY, BZ, CA, CH, CN, CO, CR, CU, CZ, DE, DK, DM, DO, DZ, EC, EE, EG, ES, FI, GB, GD, GE, GH, GM, GT, HN, HR, HU, ID, IL, IN, IS, JP, KE, KG, KM, KN, KP, KR, KZ, LA, LC, LK, LR, LS, LT, LU, LY, MA, MD, ME, MG, MK, MN, MW, MX, MY, MZ, NA, NG, NI, NO, NZ, OM, PG, PH, PL, PT, RO, RS, RU, SC, SD, SE, SG, SK, SL, SM, SV, SY, TJ, TM, TN, TR, TT, TZ, UA, UG, US, UZ, VC, VN, ZA, ZM, ZW.

(84) Designated States (unless otherwise indicated, for every kind of regional protection available): ARIPO (BW, GH, GM, KE, LS, MW, MZ, NA, SD, SL, SZ, TZ, UG, ZM, ZW), Eurasian (AM, AZ, BY, KG, KZ, MD, RU, TJ, TM), European (AT, BE, BG, CH, CY, CZ, DE, DK, EE, ES, FI, FR, GB, GR, HR, HU, IE, IS, IT, LT, LU, LV, MC, MT, NL, NO, PL, PT, RO, SE, SI, SK, TR), OAPI (BF, BJ, CF, CG, CI, CM, GA, GN, GQ, GW, ML, MR, NE, SN, TD, TG).

Published:
— with international search report
— before the expiration of the time limit for amending the claims and to be republished in the event of receipt of amendments

(88) Date of publication of the international search report:
12 March 2009

(54) Title: PLASTIC CONTAINER



(57) Abstract: A plastic container including an outer container element (10) having a geometrical center and an inner container element (50) mounted within the outer container element, the outer container element and the inner container element, when mounted in the outer container element, together having a center of gravity which is lower than the said geometrical center of the outer container element.

WO 2008/152631 A3

INTERNATIONAL SEARCH REPORT

International application No

PCT/IL2008/000791

A. CLASSIFICATION OF SUBJECT MATTER

INV. B65D77/04

According to International Patent Classification (IPC) or to both national classification and IPC

B. FIELDS SEARCHED

Minimum documentation searched (classification system followed by classification symbols)

B65D

Documentation searched other than minimum documentation to the extent that such documents are included in the fields searched

Electronic data base consulted during the international search (name of data base and, where practical, search terms used)

EPO-Internal

C. DOCUMENTS CONSIDERED TO BE RELEVANT

Category*	Citation of document, with indication, where appropriate, of the relevant passages	Relevant to claim No.
X	US 4 460 090 A (PAOLETTI JEAN-CLAUDE [FR]) 17 July 1984 (1984-07-17) cited in the application abstract; figures 1-3 -----	1-5
A	US 5 099 998 A (CURZON ROY [GB] ET AL) 31 March 1992 (1992-03-31) abstract; figure 1 column 3, line 42 - column 6, paragraph 2 -----	1-19
A	WO 96/39343 A (DRUG PLASTICS & GLASS CO [US]; GLAXO WELLCOME INC [US]) 12 December 1996 (1996-12-12) abstract; figures 1,2,4 page 1, paragraph 1 - page 3, paragraph 1 page 5, line 11 - page 11, line 33 ----- -/--	1-19

Further documents are listed in the continuation of Box C.

See patent family annex.

* Special categories of cited documents :

- *A* document defining the general state of the art which is not considered to be of particular relevance
- *E* earlier document but published on or after the international filing date
- *L* document which may throw doubts on priority claim(s) or which is cited to establish the publication date of another citation or other special reason (as specified)
- *O* document referring to an oral disclosure, use, exhibition or other means
- *P* document published prior to the international filing date but later than the priority date claimed

- *T* later document published after the international filing date or priority date and not in conflict with the application but cited to understand the principle or theory underlying the invention
- *X* document of particular relevance; the claimed invention cannot be considered novel or cannot be considered to involve an inventive step when the document is taken alone
- *Y* document of particular relevance; the claimed invention cannot be considered to involve an inventive step when the document is combined with one or more other such documents, such combination being obvious to a person skilled in the art.
- *&* document member of the same patent family

Date of the actual completion of the international search

19 September 2008

Date of mailing of the international search report

16/01/2009

Name and mailing address of the ISA/

European Patent Office, P.B. 5818 Patentlaan 2
NL - 2280 HV Rijswijk
Tel. (+31-70) 340-2040.
Fax: (+31-70) 340-3016

Authorized officer

Segerer, Heiko

INTERNATIONAL SEARCH REPORT

International application No
PCT/IL2008/000791

C(Continuation). DOCUMENTS CONSIDERED TO BE RELEVANT		
Category*	Citation of document, with indication, where appropriate, of the relevant passages	Relevant to claim No.
A	US 6 243 936 B1 (BIESECKER LISSA B [US] ET AL) 12 June 2001 (2001-06-12) cited in the application abstract; figure 2 -----	1-19
A	US 5 219 005 A (STOFFEL HANS [US]) 15 June 1993 (1993-06-15) cited in the application abstract; figure 1 -----	1-19

INTERNATIONAL SEARCH REPORT

International application No.
PCT/IL2008/000791

Box No. II Observations where certain claims were found unsearchable (Continuation of item 2 of first sheet)

This international search report has not been established in respect of certain claims under Article 17(2)(a) for the following reasons:

1. Claims Nos.:
because they relate to subject matter not required to be searched by this Authority, namely:

2. Claims Nos.:
because they relate to parts of the international application that do not comply with the prescribed requirements to such an extent that no meaningful international search can be carried out, specifically:

3. Claims Nos.:
because they are dependent claims and are not drafted in accordance with the second and third sentences of Rule 6.4(a).

Box No. III Observations where unity of invention is lacking (Continuation of item 3 of first sheet)

This International Searching Authority found multiple inventions in this international application, as follows:

see additional sheet

1. As all required additional search fees were timely paid by the applicant, this international search report covers allsearchable claims.

2. As all searchable claims could be searched without effort justifying an additional fees, this Authority did not invite payment of additional fees.

3. As only some of the required additional search fees were timely paid by the applicant, this international search report covers only those claims for which fees were paid, specifically claims Nos.:

4. No required additional search fees were timely paid by the applicant. Consequently, this international search report is restricted to the invention first mentioned in the claims; it is covered by claims Nos.:

1-19

Remark on Protest

- The additional search fees were accompanied by the applicant's protest and, where applicable, the payment of a protest fee.
- The additional search fees were accompanied by the applicant's protest but the applicable protest fee was not paid within the time limit specified in the invitation.
- No protest accompanied the payment of additional search fees.

FURTHER INFORMATION CONTINUED FROM PCT/ISA/ 210

This International Searching Authority found multiple (groups of) inventions in this international application, as follows:

1. claims: 1-19

Plastic container with inner container element lowering the center of gravity

2. claims: 20-32

Plastic container comprising two snap-fitted container elements being centered with respect to each other

3. claims: 33,34

Plastic container comprising an inner container element having a linearly adjustable internal volume

INTERNATIONAL SEARCH REPORT

Information on patent family members

International application No PCT/IL2008/000791

Patent document cited in search report	A	Publication date	Patent family member(s)	Publication date
US 4460090	A	17-07-1984	CA 1188640 A1 DE 3261064 D1 DK 305582 A EP 0070776 A1 ES 274562 U FR 2509694 A1 GR 76877 A1 JP 58030944 A PT 75273 A	11-06-1985 29-11-1984 21-01-1983 26-01-1983 16-01-1984 21-01-1983 04-09-1984 23-02-1983 01-08-1982
US 5099998	A	31-03-1992	CA 2064239 A1 EP 0491891 A1 JP 5505374 T WO 9117926 A1	18-11-1991 01-07-1992 12-08-1993 28-11-1991
WO 9639343	A	12-12-1996	AU 5970996 A	24-12-1996
US 6243936	B1	12-06-2001	NONE	
US 5219005	A	15-06-1993	NONE	