



US00D365744S

# United States Patent [19] Leung

[11] Patent Number: Des. 365,744

[45] Date of Patent: \*\*Jan. 2, 1996

[54] **DOOR LATCH ASSEMBLY**

[75] Inventor: **Kam S. Leung**, Hong Kong, Hong Kong

[73] Assignee: **Faith Hill Industrial Limited**, Hong Kong

[\*\*] Term: **14 Years**

[21] Appl. No.: **24,303**

[22] Filed: **Jun. 13, 1994**

[30] **Foreign Application Priority Data**

Dec. 14, 1993 [GB] United Kingdom ..... 2035829

[52] U.S. Cl. .... **D8/331**

[58] Field of Search ..... D8/330-331, 336, D8/338, 339, 341, 344-345; 292/166-168, 173, 223, 226, 163

[56] **References Cited**

**U.S. PATENT DOCUMENTS**

D. 256,429	8/1980	Best et al. ....	D8/341
D. 284,639	7/1986	Matuso et al. ....	D8/331
D. 290,684	7/1987	Wildgen ..... ..	D8/331
2,379,810	7/1945	Ledin et al. ....	292/163 X
4,131,002	12/1978	Gianello ..... ..	292/226 X

Primary Examiner—Brian N. Vinson  
Attorney, Agent, or Firm—Gunn, Lee & Miller

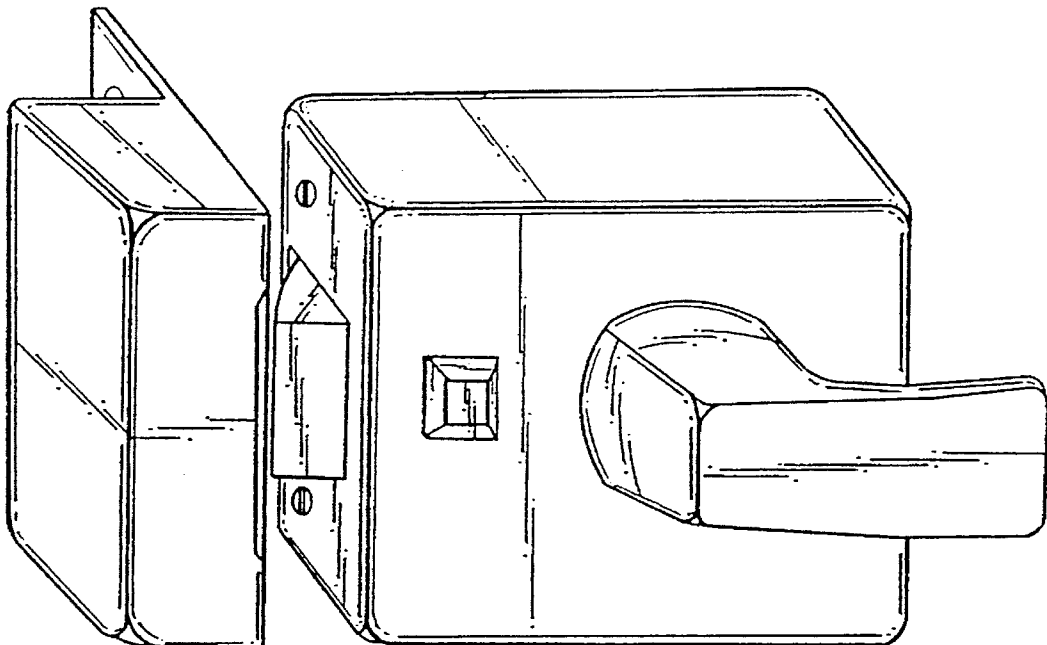
[57] **CLAIM**

The ornamental design for a door latch assembly, as shown and described.

**DESCRIPTION**

FIG. 1 is a top, front, and left side perspective view of a door latch assembly showing my new design; FIG. 2 is a front elevational view thereof; FIG. 3 is a rear elevational view thereof; FIG. 4 is a top plan view thereof; FIG. 5 is a bottom plan view thereof; FIG. 6 is a left side elevational view of the door frame-mounted portion of the assembly; FIG. 7 is a left side elevational view of the door-mounted portion of the assembly; FIG. 8 is a right side elevational view of the door frame-mounted portion of the assembly; FIG. 9 is a right side elevational view of the door-mounted portion of the assembly; and, FIG. 10 is a top, front, and left side perspective view thereof, showing the handle portion rotated to an alternate position, and the bolt portion retracted.

**1 Claim, 3 Drawing Sheets**



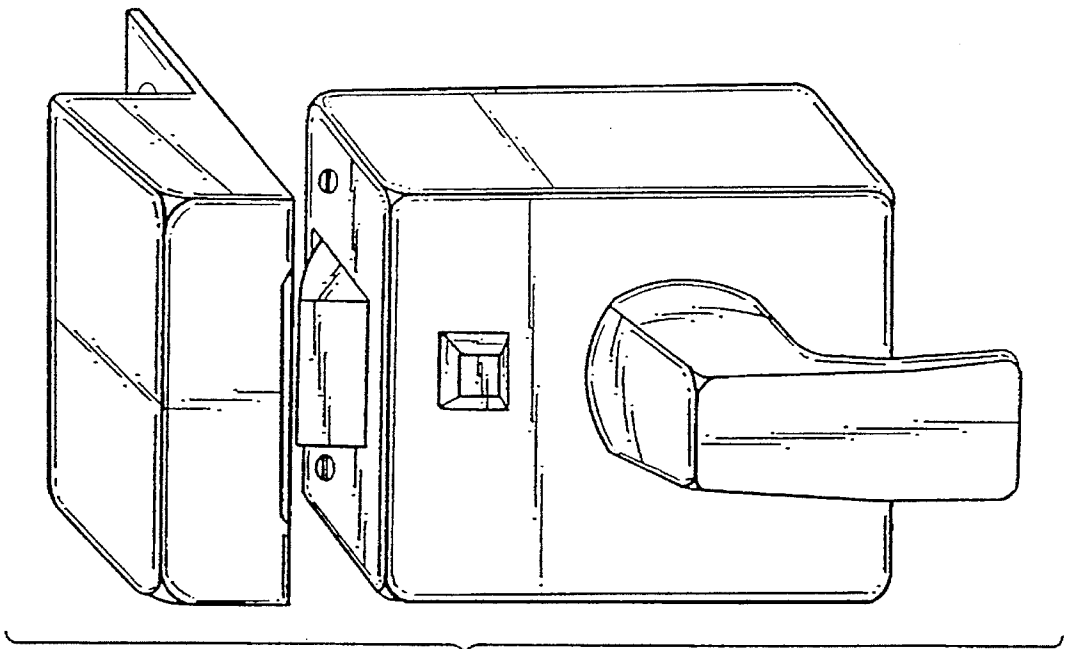


FIG. 1

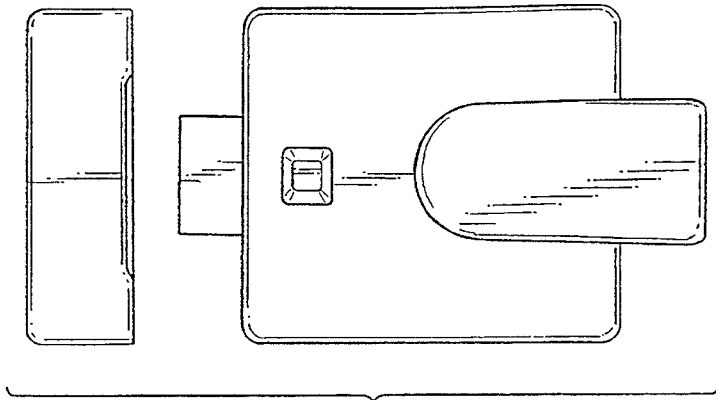


FIG. 2

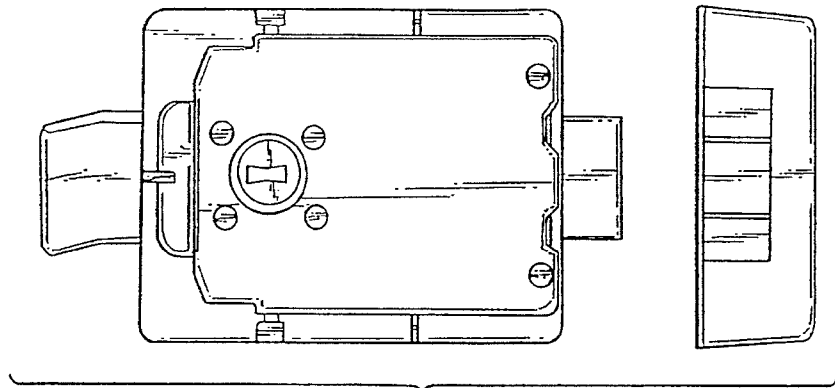


FIG. 3

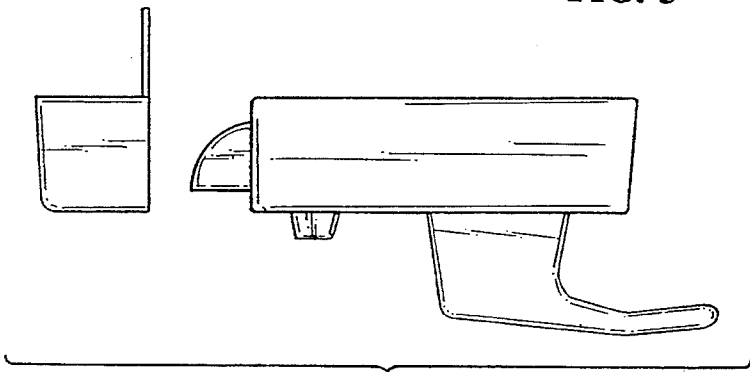


FIG. 4

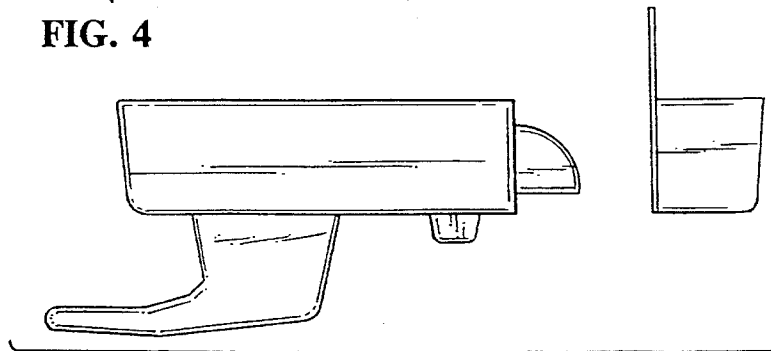


FIG. 5

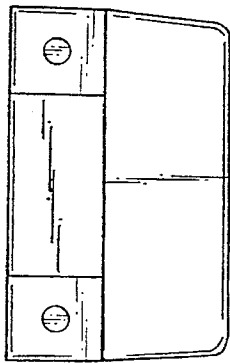


FIG. 6

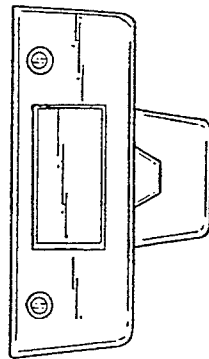


FIG. 7

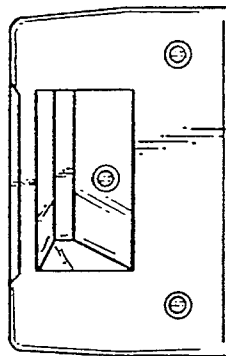


FIG. 8

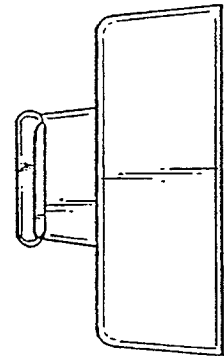


FIG. 9

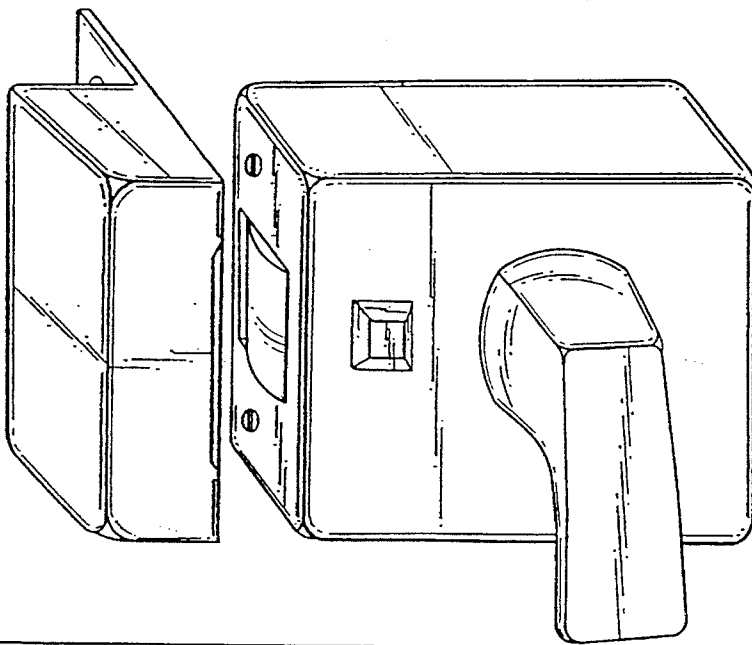


FIG. 10