

(19) World Intellectual Property Organization  
International Bureau



(43) International Publication Date  
16 July 2009 (16.07.2009)

(10) International Publication Number  
**WO 2009/087477 A3**

- (51) International Patent Classification:  
*F02F 7/00* (2006.01)      *F16M 7/00* (2006.01)
- (21) International Application Number:  
PCT/IB2008/003722
- (22) International Filing Date:  
19 December 2008 (19.12.2008)
- (25) Filing Language: English
- (26) Publication Language: English
- (30) Priority Data:  
2007-330566 21 December 2007 (21.12.2007)      JP
- (71) Applicant (for all designated States except US): **TOYOTA JIDOSHA KABUSHIKI KAISHA** [JP/JP]; 1, Toyota-cho, Toyota-shi, Aichi-ken 471-8571 (JP).
- (72) Inventor; and
- (75) Inventor/Applicant (for US only): **TERADA, Tatsuhiro** [JP/JP]; c/o Toyota Jidosha Kabushiki Kaisha, 1, Toyota-cho, Toyota-shi, Aichi-ken 471-8571 (JP).
- (81) Designated States (unless otherwise indicated, for every kind of national protection available): AE, AG, AL, AM, AO, AT, AU, AZ, BA, BB, BG, BH, BR, BW, BY, BZ,

CA, CH, CN, CO, CR, CU, CZ, DE, DK, DM, DO, DZ, EC, EE, EG, ES, FI, GB, GD, GE, GH, GM, GT, HN, HR, HU, ID, IL, IN, IS, KE, KG, KM, KN, KP, KR, KZ, LA, LC, LK, LR, LS, LT, LU, LY, MA, MD, ME, MG, MK, MN, MW, MX, MY, MZ, NA, NG, NI, NO, NZ, OM, PG, PH, PL, PT, RO, RS, RU, SC, SD, SE, SG, SK, SL, SM, ST, SV, SY, TJ, TM, TN, TR, TT, TZ, UA, UG, US, UZ, VC, VN, ZA, ZM, ZW.

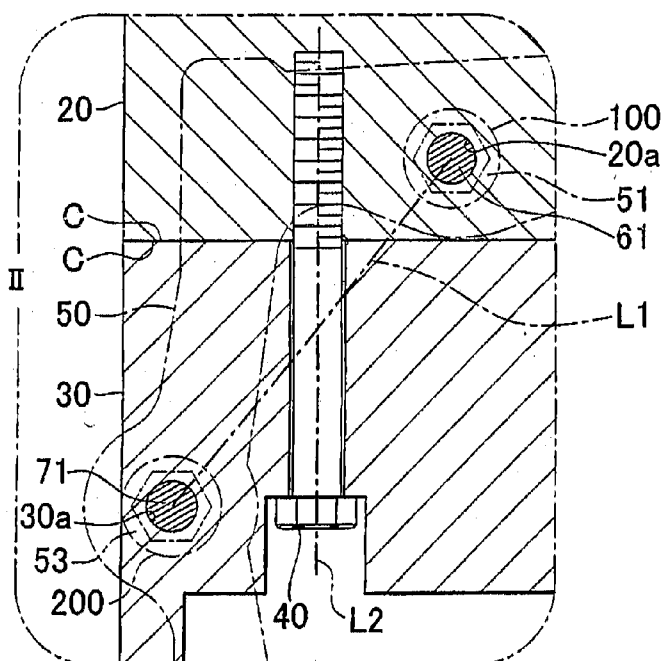
(84) Designated States (unless otherwise indicated, for every kind of regional protection available): ARIPO (BW, GH, GM, KE, LS, MW, MZ, NA, SD, SL, SZ, TZ, UG, ZM, ZW), Eurasian (AM, AZ, BY, KG, KZ, MD, RU, TJ, TM), European (AT, BE, BG, CH, CY, CZ, DE, DK, EE, ES, FI, FR, GB, GR, HR, HU, IE, IS, IT, LT, LU, LV, MC, MT, NL, NO, PL, PT, RO, SE, SI, SK, TR), OAPI (BF, BJ, CF, CG, CI, CM, GA, GN, GQ, GW, ML, MR, NE, SN, TD, TG).

Published:  
— with international search report (Art. 21(3))  
— before the expiration of the time limit for amending the claims and to be republished in the event of receipt of amendments (Rule 48.2(h))

[Continued on next page]

(54) Title: BRACKET FASTENING STRUCTURE

**FIG. 2**



(57) Abstract: A first fastening portion (100) for fastening a cylinder block (20) and a bracket (50) to each other and a second fastening portion (200) for fastening a crank case (30) and the bracket (50) to each other are so provided as to have interposed therebetween a fastening bolt (40) for fastening the cylinder block (20) and the crank case (30) to each other.

WO 2009/087477 A3

**(88) Date of publication of the international search report:**  
8 October 2009

**INTERNATIONAL SEARCH REPORT**

International application No  
PCT/IB2008/003722

<b>A. CLASSIFICATION OF SUBJECT MATTER</b> INV. F02F7/00 F16M7/00		
According to International Patent Classification (IPC) or to both national classification and IPC		
<b>B. FIELDS SEARCHED</b>		
Minimum documentation searched (classification system followed by classification symbols) F02F F16M		
Documentation searched other than minimum documentation to the extent that such documents are included in the fields searched		
Electronic data base consulted during the international search (name of data base and, where practical, search terms used) EPO-Internal		
<b>C. DOCUMENTS CONSIDERED TO BE RELEVANT</b>		
<b>Category*</b>	<b>Citation of document, with indication, where appropriate, of the relevant passages</b>	<b>Relevant to claim No.</b>
X	US 5 090 502 A (INOUE YASUSHI [JP] ET AL) 25 February 1992 (1992-02-25) columns 2-4 -----	1-10
X	JP 06 193460 A (MAZDA MOTOR) 12 July 1994 (1994-07-12) abstract; figures -----	1-10
X	JP 2003 049706 A (HONDA MOTOR CO LTD) 21 February 2003 (2003-02-21) cited in the application abstract; figures -----	1-10
X	US 6 223 850 B1 (RAJCA STANLEY H [US] ET AL) 1 May 2001 (2001-05-01) abstract; figures -----	1-10
	-/--	
<input checked="" type="checkbox"/> Further documents are listed in the continuation of Box C. <input checked="" type="checkbox"/> See patent family annex.		
* Special categories of cited documents : *A* document defining the general state of the art which is not considered to be of particular relevance *E* earlier document but published on or after the international filing date *L* document which may throw doubts on priority claim(s) or which is cited to establish the publication date of another citation or other special reason (as specified) *O* document referring to an oral disclosure, use, exhibition or other means *P* document published prior to the international filing date but later than the priority date claimed *T* later document published after the international filing date or priority date and not in conflict with the application but cited to understand the principle or theory underlying the invention *X* document of particular relevance; the claimed invention cannot be considered novel or cannot be considered to involve an inventive step when the document is taken alone *Y* document of particular relevance; the claimed invention cannot be considered to involve an inventive step when the document is combined with one or more other such documents, such combination being obvious to a person skilled in the art. *&* document member of the same patent family		
Date of the actual completion of the international search  11 June 2009		Date of mailing of the international search report  05/08/2009
Name and mailing address of the ISA European Patent Office, P.B. 5818 Patentlaan 2 NL - 2280 HV Rijswijk Tel. (+31-70) 340-2040, Fax: (+31-70) 340-3016		Authorized officer  Coniglio, Carlo

## INTERNATIONAL SEARCH REPORT

International application No

PCT/IB2008/003722

C(Continuation). DOCUMENTS CONSIDERED TO BE RELEVANT

Category*	Citation of document, with indication, where appropriate, of the relevant passages	Relevant to claim No.
X	US 6 324 744 B1 (BANKS THOMAS M [US] ET AL) 4 December 2001 (2001-12-04) abstract; figures -----	1-10
A	US 2003/062211 A1 (TSURUDA TAKAYUKI [JP]) 3 April 2003 (2003-04-03) abstract; figures -----	1

# INTERNATIONAL SEARCH REPORT

Information on patent family members

International application No

PCT/IB2008/003722

Patent document cited in search report	Publication date	Publication date	Patent family member(s)	Publication date
US 5090502	A	25-02-1992	JP 3092530 U JP 7041869 Y2	20-09-1991 27-09-1995
JP 6193460	A	12-07-1994	JP 3096182 B2	10-10-2000
JP 2003049706	A	21-02-2003	NONE	
US 6223850	B1	01-05-2001	NONE	
US 6324744	B1	04-12-2001	NONE	
US 2003062211	A1	03-04-2003	DE 10244891 A1 JP 2003104069 A	26-06-2003 09-04-2003