



(12) **EUROPEAN PATENT APPLICATION**

(88) Date of publication A3:
07.08.2013 Bulletin 2013/32

(51) Int Cl.:
F24F 9/00 (2006.01)

(43) Date of publication A2:
07.12.2011 Bulletin 2011/49

(21) Application number: **11250572.2**

(22) Date of filing: **01.06.2011**

(84) Designated Contracting States:
AL AT BE BG CH CY CZ DE DK EE ES FI FR GB GR HR HU IE IS IT LI LT LU LV MC MK MT NL NO PL PT RO RS SE SI SK SM TR
 Designated Extension States:
BA ME

(72) Inventor: **Price, Mike**
Nuneaton
Warwickshire CV11 5AU (GB)

(30) Priority: **05.06.2010 GB 201009460**

(74) Representative: **Bhimani, Alan et al**
Marks & Clerk LLP
Alpha Tower
Suffolk Street Queensway
Birmingham B1 1TT (GB)

(71) Applicant: **Thermoscreens Limited**
Nuneaton
Warwickshire CV11 5AU (GB)

(54) **Air curtain discharge device**

(57) An air curtain discharge device 33 is provided for use with an air curtain 20 of the type used to separate two spaces A, B from each other in order to protect an opening. The discharge device comprises a plenum chamber 30 for receiving compressed air. An air distribution means 32 is operable for directing and increasing the velocity of pressurized air from the plenum chamber towards an outlet 38. The air curtain discharge device further comprises means 34 for reducing turbulence within the air.

tion means 32 is operable for directing and increasing the velocity of pressurized air from the plenum chamber towards an outlet 38. The air curtain discharge device further comprises means 34 for reducing turbulence within the air.

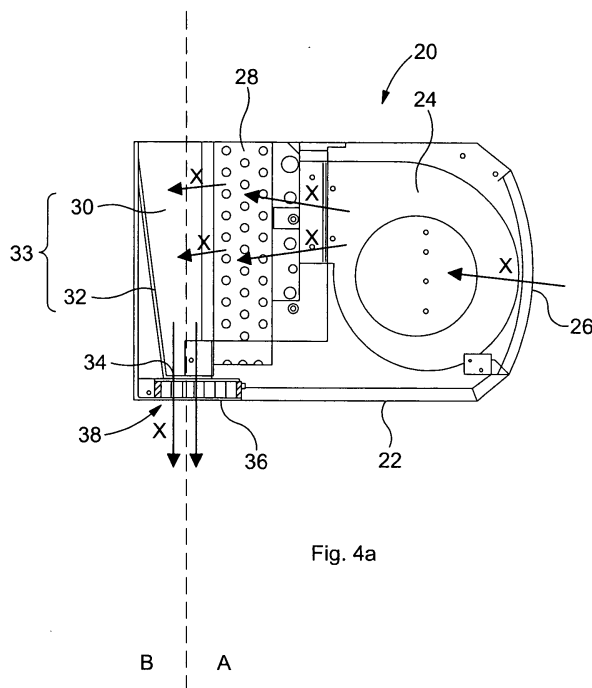


Fig. 4a



EUROPEAN SEARCH REPORT

Application Number
EP 11 25 0572

DOCUMENTS CONSIDERED TO BE RELEVANT			
Category	Citation of document with indication, where appropriate, of relevant passages	Relevant to claim	CLASSIFICATION OF THE APPLICATION (IPC)
X	DE 10 2004 001765 A1 (SCHANZE JOCHEN [DE]) 4 August 2005 (2005-08-04) * paragraph [0016] - paragraph [0027]; figures 1b-3c *	1-14	INV. F24F9/00
X	DE 91 03 331 U1 (SCHANZE JOCHEN, LINGEN [DE]) 20 June 1991 (1991-06-20) * page 4, last paragraph - page 6, last paragraph; figures 1-6 *	1,11	
A	EP 0 611 924 A1 (BIDDLE F H BV [NL]) 24 August 1994 (1994-08-24) * abstract; figures *	2-10, 12-14	
A	EP 1 462 730 A1 (KAMPMANN GMBH [DE]) 29 September 2004 (2004-09-29) * abstract; figures *	1-14	
A	WO 2007/027083 A1 (BIDDLE B V [NL]; HOROWITZ DMITRI [NL]) 8 March 2007 (2007-03-08) * abstract; figures *	1,11	
A	US 2007/298703 A1 (CHEN CHIH-FENG [CN]) 27 December 2007 (2007-12-27) * figures *	1,11	
The present search report has been drawn up for all claims			TECHNICAL FIELDS SEARCHED (IPC) F24F
Place of search Munich		Date of completion of the search 3 July 2013	Examiner González-Granda, C
CATEGORY OF CITED DOCUMENTS X : particularly relevant if taken alone Y : particularly relevant if combined with another document of the same category A : technological background O : non-written disclosure P : intermediate document		T : theory or principle underlying the invention E : earlier patent document, but published on, or after the filing date D : document cited in the application L : document cited for other reasons & : member of the same patent family, corresponding document	

1
EPO FORM 1503 03.82 (P04C01)

**ANNEX TO THE EUROPEAN SEARCH REPORT
ON EUROPEAN PATENT APPLICATION NO.**

EP 11 25 0572

This annex lists the patent family members relating to the patent documents cited in the above-mentioned European search report.
The members are as contained in the European Patent Office EDP file on
The European Patent Office is in no way liable for these particulars which are merely given for the purpose of information.

03-07-2013

Patent document cited in search report	Publication date	Patent family member(s)	Publication date
DE 102004001765 A1	04-08-2005	NONE	
DE 9103331 U1	20-06-1991	NONE	
EP 0611924 A1	24-08-1994	AT 159580 T DE 69406326 D1 DE 69406326 T2 EP 0611924 A1 ES 2108362 T3 GR 3025641 T3 NL 9300305 A	15-11-1997 27-11-1997 26-02-1998 24-08-1994 16-12-1997 31-03-1998 16-09-1994
EP 1462730 A1	29-09-2004	NONE	
WO 2007027083 A1	08-03-2007	NL 1029849 C2 WO 2007027083 A1	05-03-2007 08-03-2007
US 2007298703 A1	27-12-2007	NONE	