

(19) World Intellectual Property Organization  
International Bureau



(43) International Publication Date  
5 October 2006 (05.10.2006)

PCT

(10) International Publication Number  
WO 2006/105088 A3

- (51) International Patent Classification:  
G08B 1/08 (2006.01) G01S 1/02 (2006.01)
- (21) International Application Number:  
PCT/US2006/011282
- (22) International Filing Date: 28 March 2006 (28.03.2006)
- (25) Filing Language: English
- (26) Publication Language: English
- (30) Priority Data:  
11/092,497 29 March 2005 (29.03.2005) US
- (71) Applicant: ARBITRON, INC. [US/US]; 9705 Patuxent Woods Drive, Columbia, MD 21046 (US).
- (72) Inventors: FITZGERALD, Joan, G.; 802 N. Irving Street, Arlington, VA 22201 (US). CRYSTAL, Jack, C.; 11 Supreme Court, Owings Mill, MD 21117 (US). NEUHAUSER, Alan, R.; 1512 Flora Court, Silver Spring, MD 20910 (US). JENSEN, James, M.; 10702 Faulkner Ridge Road, Columbia, MA 21044 (US). FORR, David, Patrick; 3317 Royal Oak Court, Ellicott City, MD 21043 (US). FLANAGAN, Eugene, L., III; 19 Juniper Place, Wilton, CT 06897 (US).
- (74) Agents: FLANAGAN, Eugene, L., III et al.; Cowan, Liebowitz & Latman, P.C., 1133 Avenue of the Americas, New York, NY 10036-6799 (US).

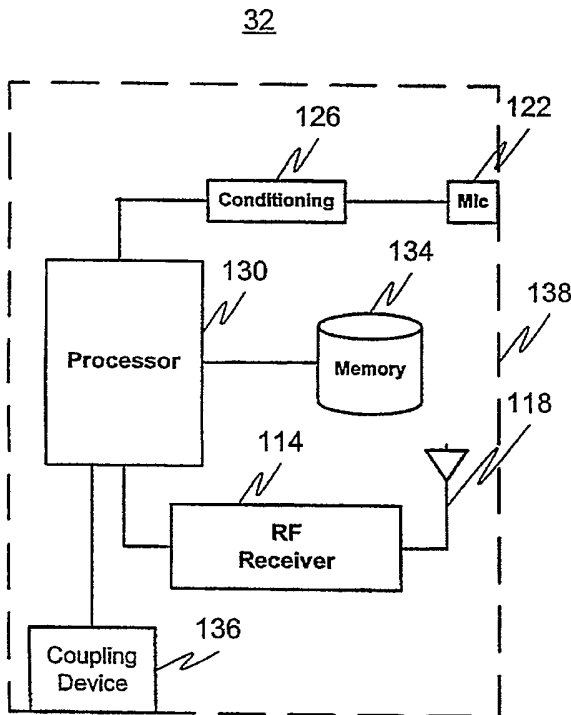
- (81) Designated States (unless otherwise indicated, for every kind of national protection available): AE, AG, AL, AM, AT, AU, AZ, BA, BB, BG, BR, BW, BY, BZ, CA, CH, CN, CO, CR, CU, CZ, DE, DK, DM, DZ, EC, EE, EG, ES, FI, GB, GD, GE, GH, GM, HR, HU, ID, IL, IN, IS, JP, KE, KG, KM, KN, KP, KR, KZ, LC, LK, LR, LS, LT, LU, LV, LY, MA, MD, MG, MK, MN, MW, MX, MZ, NA, NG, NI, NO, NZ, OM, PG, PH, PL, PT, RO, RU, SC, SD, SE, SG, SK, SL, SM, SY, TJ, TM, TN, TR, TT, TZ, UA, UG, UZ, VC, VN, YU, ZA, ZM, ZW.
- (84) Designated States (unless otherwise indicated, for every kind of regional protection available): ARIPO (BW, GH, GM, KE, LS, MW, MZ, NA, SD, SL, SZ, TZ, UG, ZM, ZW), Eurasian (AM, AZ, BY, KG, KZ, MD, RU, TJ, TM), European (AT, BE, BG, CH, CY, CZ, DE, DK, EE, ES, FI, FR, GB, GR, HU, IE, IS, IT, LT, LU, LV, MC, NL, PL, PT, RO, SE, SI, SK, TR), OAPI (BF, BJ, CF, CG, CI, CM, GA, GN, GQ, GW, ML, MR, NE, SN, TD, TG).

Published:  
— with international search report

(88) Date of publication of the international search report:  
7 December 2006

[Continued on next page]

(54) Title: METHODS AND SYSTEMS FOR GATHERING MARKET RESEARCH DATA INSIDE AND OUTSIDE COMMERCIAL ESTABLISHMENTS



(57) Abstract: Methods and systems for tracking movements of participants in a market research study, for example, outside retail establishments, are provided. The methods and systems employ portable monitors (32, 350, 400, 410) carried on the persons of the participants to gather location data.

WO 2006/105088 A3



---

*For two-letter codes and other abbreviations, refer to the "Guidance Notes on Codes and Abbreviations" appearing at the beginning of each regular issue of the PCT Gazette.*

**INTERNATIONAL SEARCH REPORT**

International application No.

PCT/US06/11282

**A. CLASSIFICATION OF SUBJECT MATTER**

IPC: **G08B 1/08**( 2006.01);**G01S 1/02**( 2006.01)

USPC: 340/539.13,573.4,825.49;705/7,10;235/375,376;342/357.06-357.09

According to International Patent Classification (IPC) or to both national classification and IPC

**B. FIELDS SEARCHED**

Minimum documentation searched (classification system followed by classification symbols)

U.S. : 340/539.13,573.4,825.49;705/7,10;235/375,376;342/357.06-357.09

Documentation searched other than minimum documentation to the extent that such documents are included in the fields searched

Electronic data base consulted during the international search (name of data base and, where practicable, search terms used)  
Please See Continuation Sheet

**C. DOCUMENTS CONSIDERED TO BE RELEVANT**

Category *	Citation of document, with indication, where appropriate, of the relevant passages	Relevant to claim No.
Y	US. 2003/0055707 A1 (BUSCHE et al) 20 March 2003 (20.03.2003), par. 61, 65.	1-64
Y	US 6,396,413 B2 (HINES et al), 28 May 2002 (28.05.2002), col. 3, l. 42- col. 4, l. 9	1-64
Y, P	US 2005/0159863 A1 (HOWARD et al), 21 July 2005 (21.07.2005), 0039, 0099, 0100, fig. 2.	1-64
Y, P	US 7,015,817 B2 (COPLY et al), 21 March 2006 (21.03.2006), col. 9, l. 44- col. 10, l. 35, col. 11, l. 55-61, col. 20, l. 34-50, col. 24, l. 55 – col. 25, l. 56, col. 29, l. 39-59, figs. 1, 17.	1-64
Y, P	US 7,006,982 B2 (SORENSEN) 28 February 2006 (28.02.2006), col. 3, l. 38-43; col. 6, l. 49-57.	1-64

Further documents are listed in the continuation of Box C.

See patent family annex.

* Special categories of cited documents:	"T"	later document published after the international filing date or priority date and not in conflict with the application but cited to understand the principle or theory underlying the invention
"A" document defining the general state of the art which is not considered to be of particular relevance	"X"	document of particular relevance; the claimed invention cannot be considered novel or cannot be considered to involve an inventive step when the document is taken alone
"E" earlier application or patent published on or after the international filing date	"Y"	document of particular relevance; the claimed invention cannot be considered to involve an inventive step when the document is combined with one or more other such documents, such combination being obvious to a person skilled in the art
"L" document which may throw doubts on priority claim(s) or which is cited to establish the publication date of another citation or other special reason (as specified)	"&"	document member of the same patent family
"O" document referring to an oral disclosure, use, exhibition or other means		
"P" document published prior to the international filing date but later than the priority date claimed		

Date of the actual completion of the international search

03 August 2006 (03.08.2006)

Date of mailing of the international search report

**13 SEP 2006**

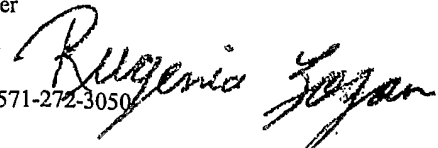
Name and mailing address of the ISA/US

Mail Stop PCT, Attn: ISA/US  
Commissioner for Patents  
P.O. Box 1450  
Alexandria, Virginia 22313-1450

Facsimile No. (571) 273-3201

Authorized officer

Hofsass Jeffery  
Telephone No. 571-272-3050



**INTERNATIONAL SEARCH REPORT**

International application No.

PCT/US06/11282

Continuation of B. FIELDS SEARCHED Item 3:

market, research, advertisement, position, location, proximity, tracking, portable, time adj stamp, date, duration, mode, speed near9 travel, rate, inertia, calibration, retail near9 environment, department near9 store.