



US00D614435S

(12) **United States Design Patent**  
**Lin**

(10) **Patent No.:** **US D614,435 S**

(45) **Date of Patent:** **\*\* Apr. 27, 2010**

(54) **BARBECUE GRILL**

(75) Inventor: **Chi-Shui Lin**, Changhua Hsien (TW)

(73) Assignee: **Voka Enterprise Co., Ltd.**, Changhua (TW)

(\*\*) Term: **14 Years**

(21) Appl. No.: **29/341,008**

(22) Filed: **Jul. 29, 2009**

(51) **LOC (9) Cl.** ..... **15-05**

(52) **U.S. Cl.** ..... **D7/334**

(58) **Field of Classification Search** ..... D7/332,  
D7/334-337, 402-405; 99/339, 449, 450,  
99/482; 126/25 R, 9 R, 41 R, 50, 276, 304 A,  
126/268

See application file for complete search history.

(56) **References Cited**

**U.S. PATENT DOCUMENTS**

D325,318 S *	4/1992	Parent et al.	.....	D7/334
D361,466 S *	8/1995	Peterson et al.	.....	D7/334
D414,374 S *	9/1999	Ting	.....	D7/334
D459,142 S *	6/2002	Wu	.....	D7/334
D459,938 S *	7/2002	Pai	.....	D7/334
D460,657 S *	7/2002	Bossler	.....	D7/334

D460,658 S *	7/2002	Wu	.....	D7/334
D466,359 S *	12/2002	Bossler et al.	.....	D7/334
D476,843 S *	7/2003	Pai	.....	D7/332
6,591,830 B2 *	7/2003	Wu	.....	126/25 R
D480,906 S *	10/2003	Pai	.....	D7/334
D485,116 S *	1/2004	Kwok	.....	D7/334

\* cited by examiner

*Primary Examiner*—Ruth McInroy

(57) **CLAIM**

The ornamental design for a barbecue grill, as shown and described.

**DESCRIPTION**

FIG. 1 is a perspective view of a barbecue grill, showing our new design;

FIG. 2 is a front elevational view thereof;

FIG. 3 is a rear elevational view thereof;

FIG. 4 is a left side elevational view thereof;

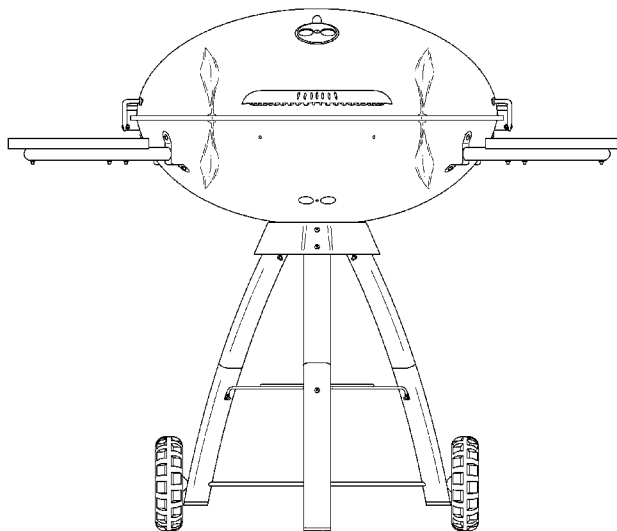
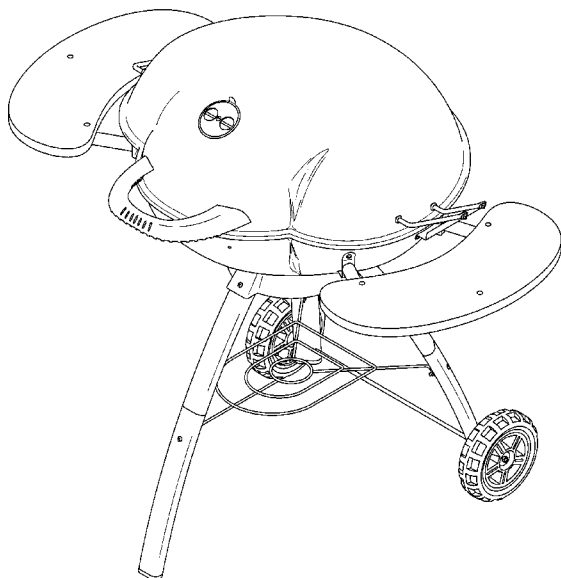
FIG. 5 is a right side elevational view thereof;

FIG. 6 is a top plan view thereof; and

FIG. 7 is a bottom plan view thereof; and,

FIG. 8 is perspective view of the barbecue grill in use.

**1 Claim, 8 Drawing Sheets**



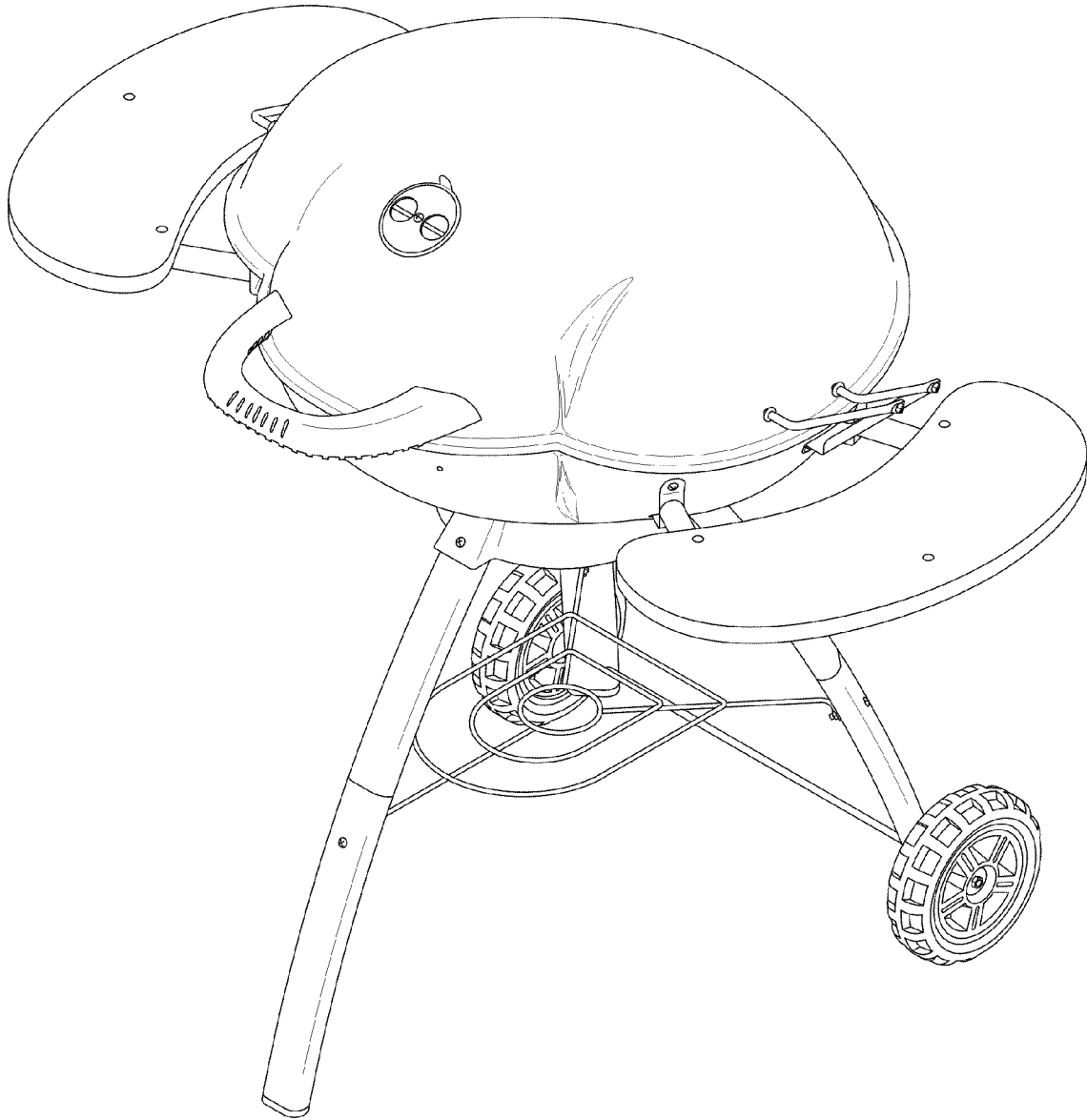


FIG. 1

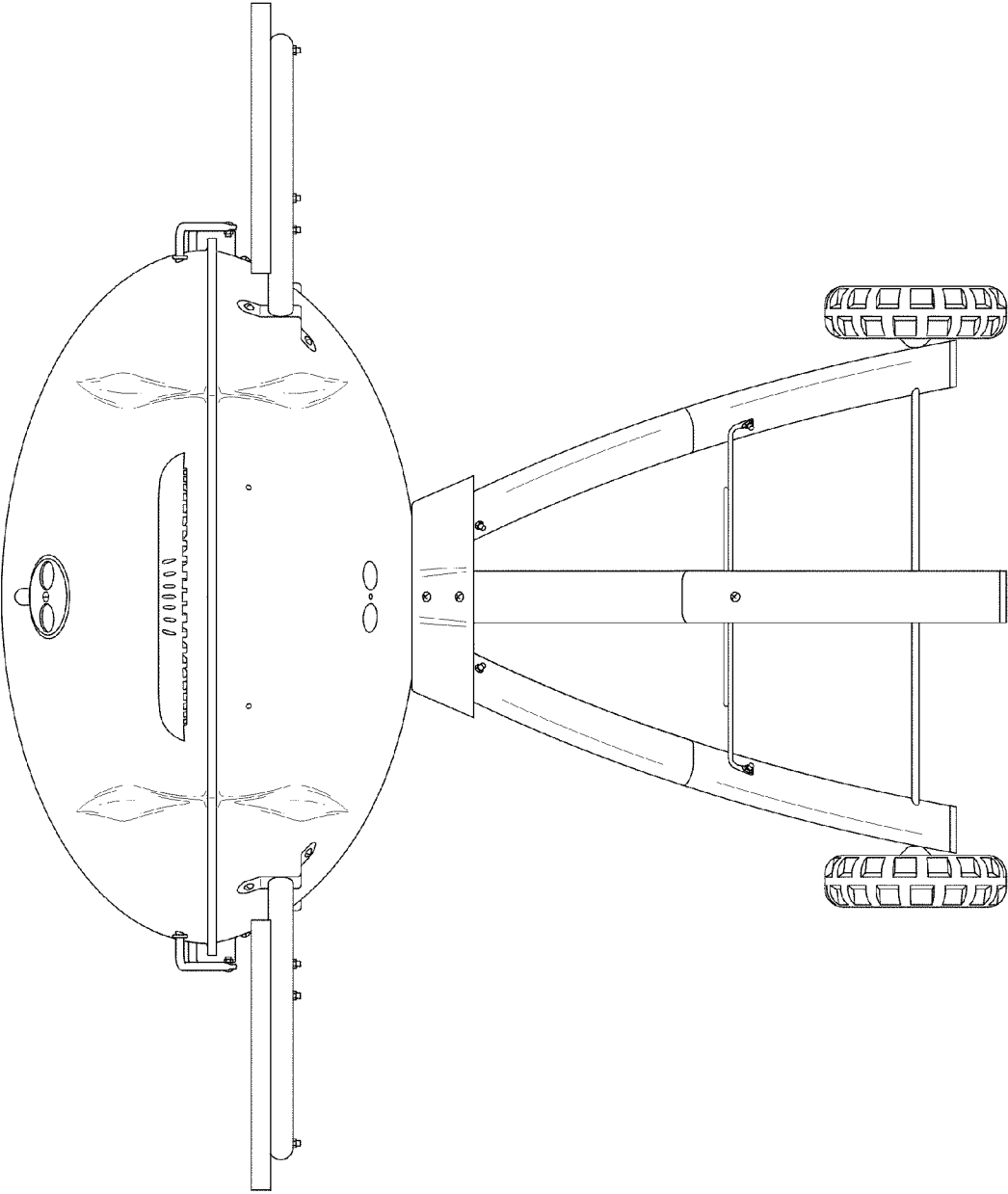


FIG. 2

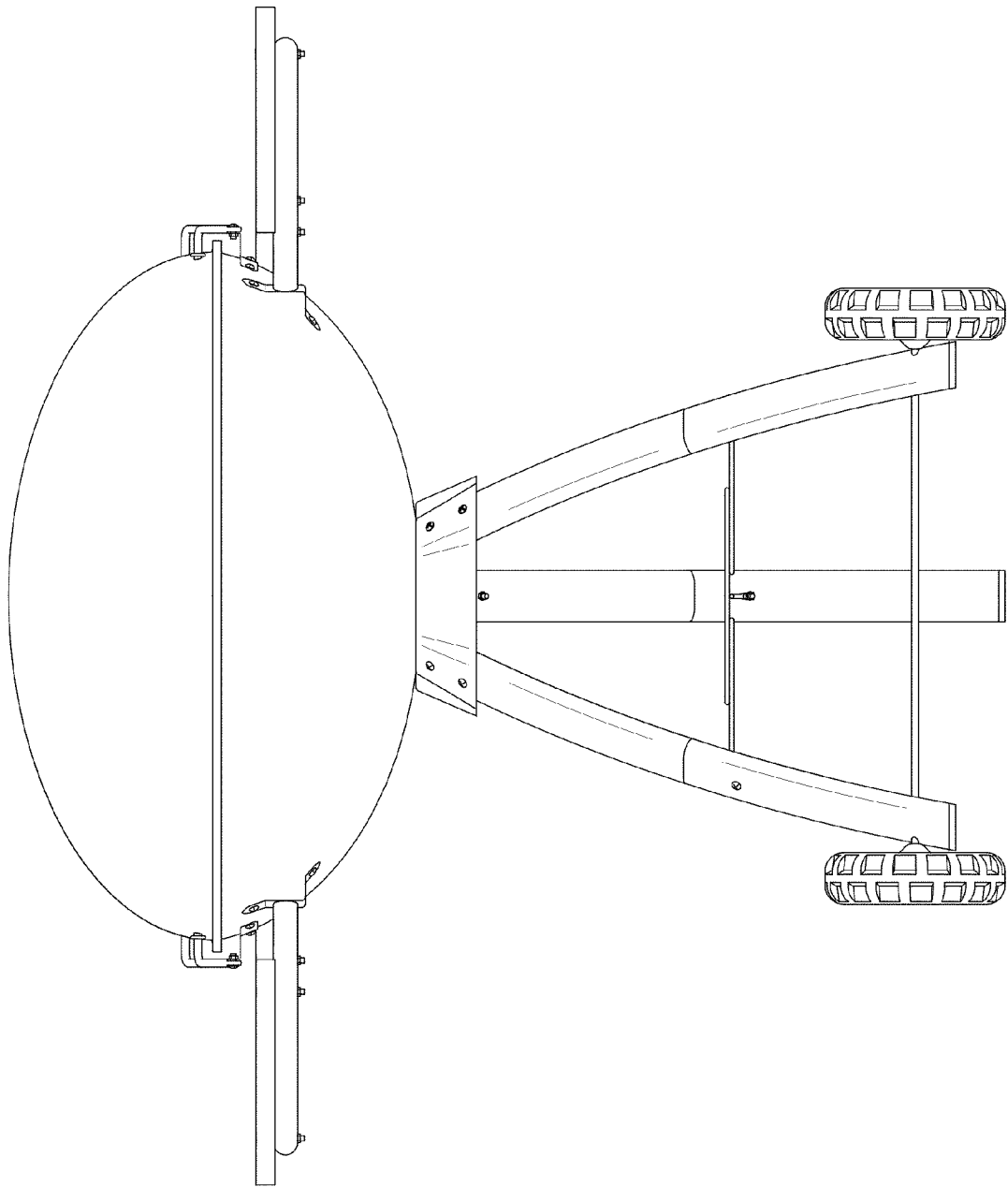


FIG. 3

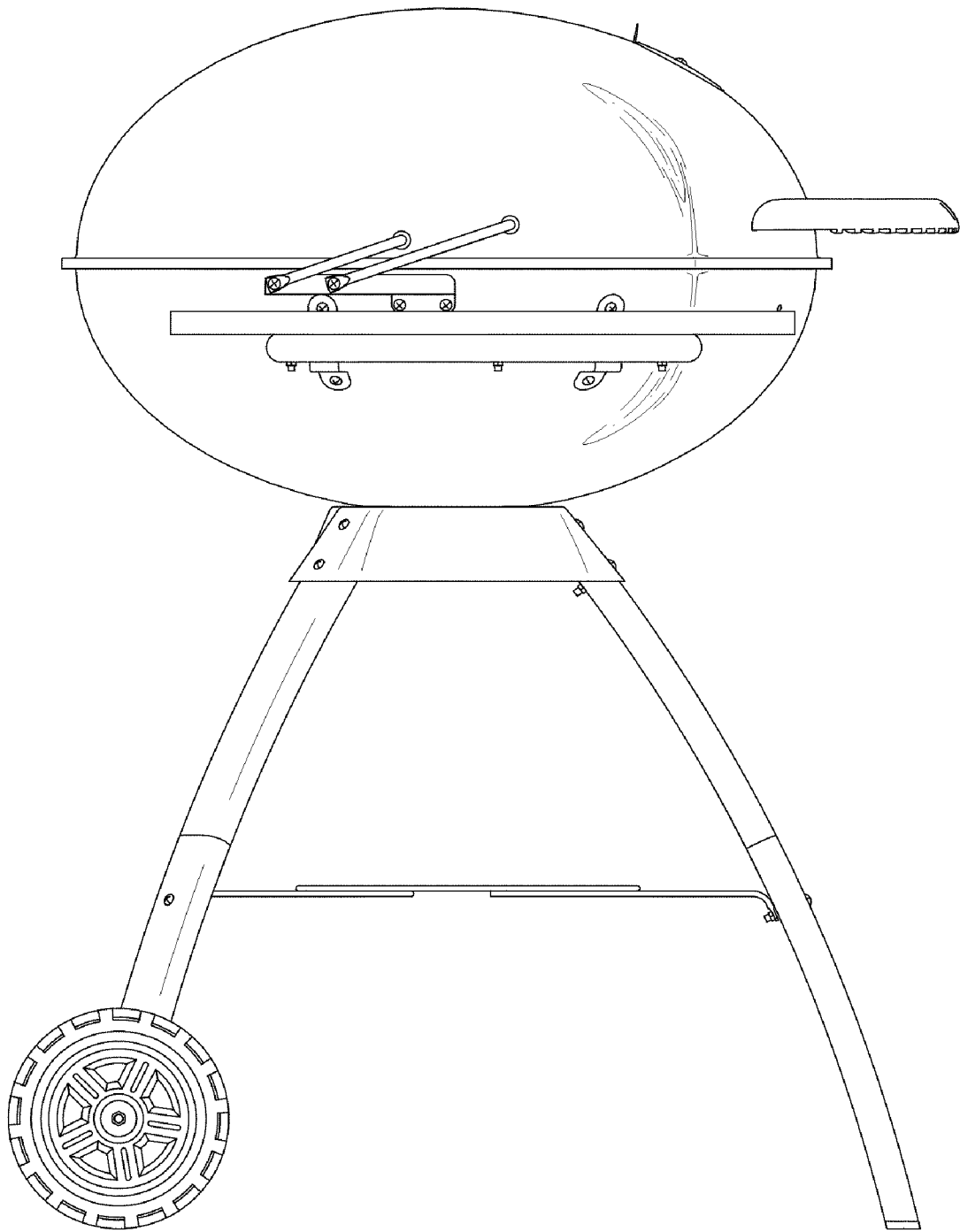


FIG. 4

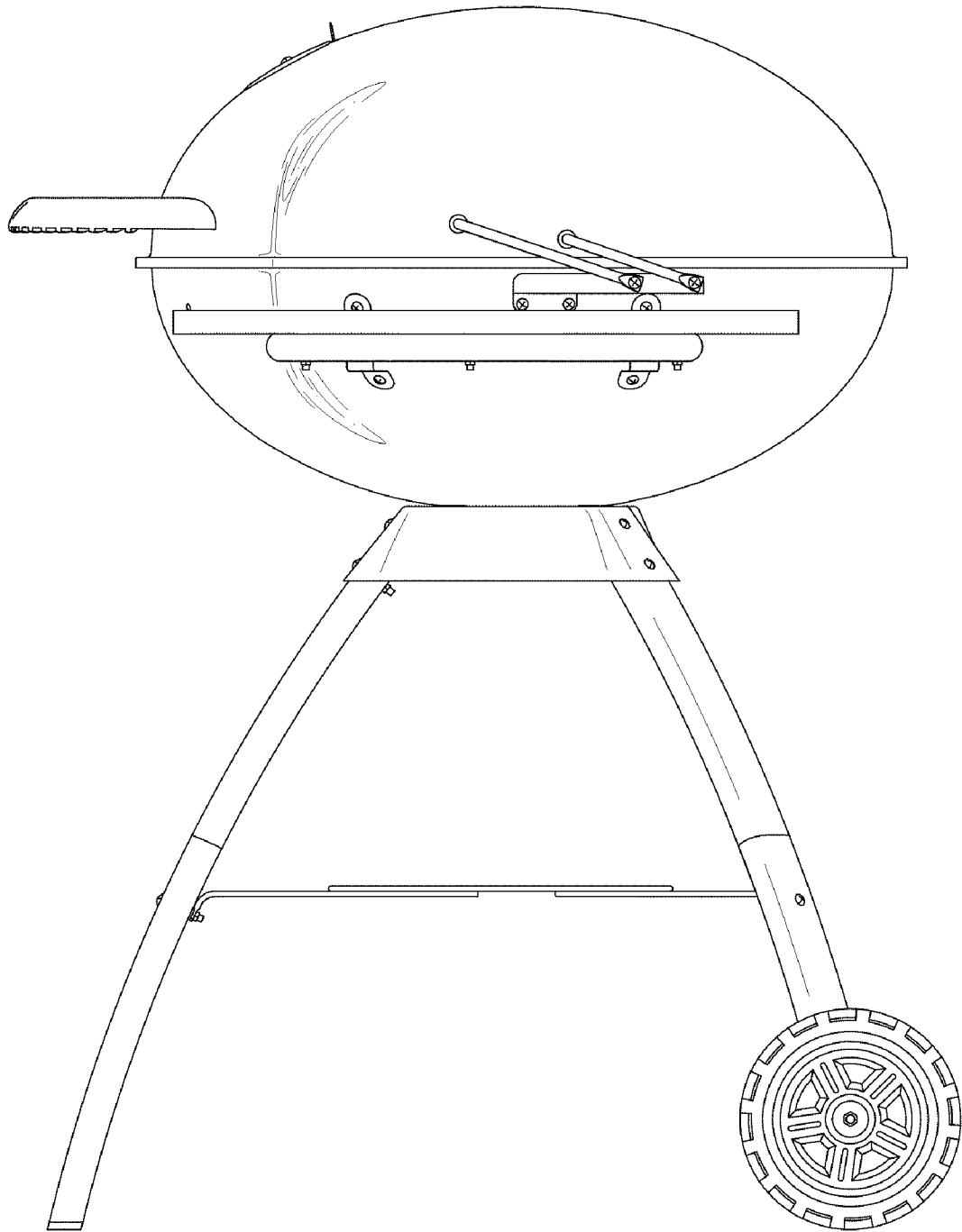


FIG. 5

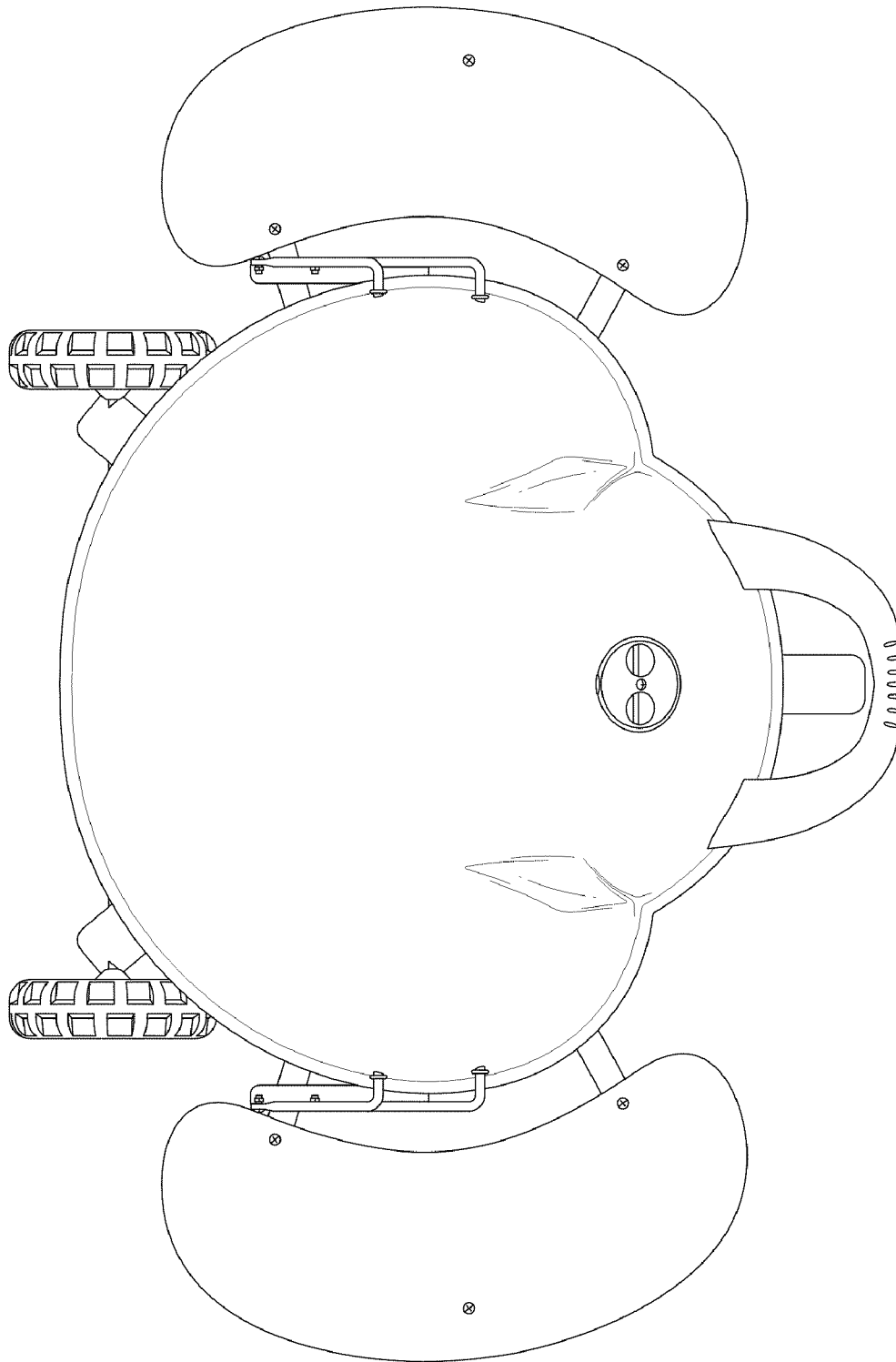


FIG. 6

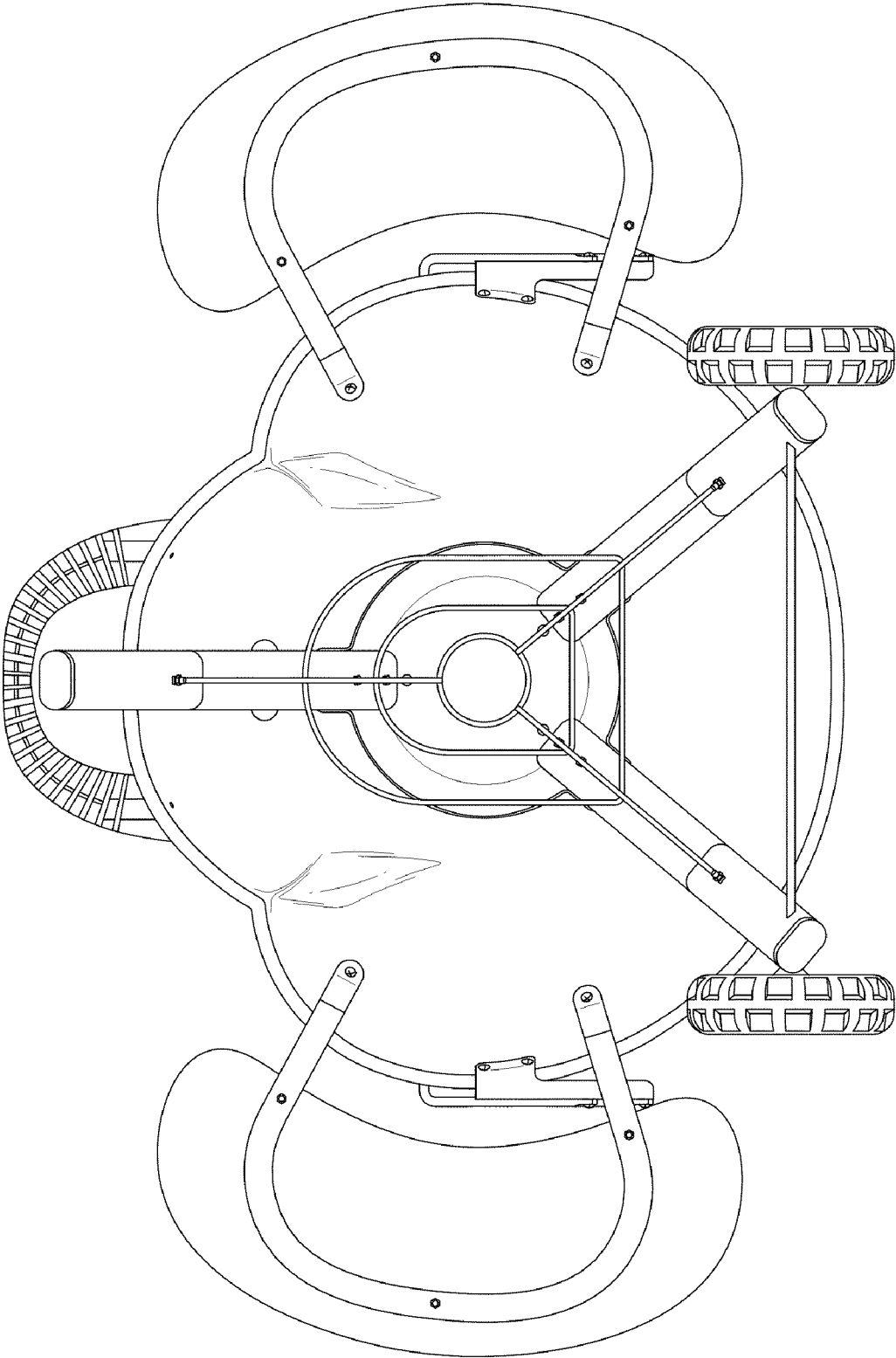


FIG. 7



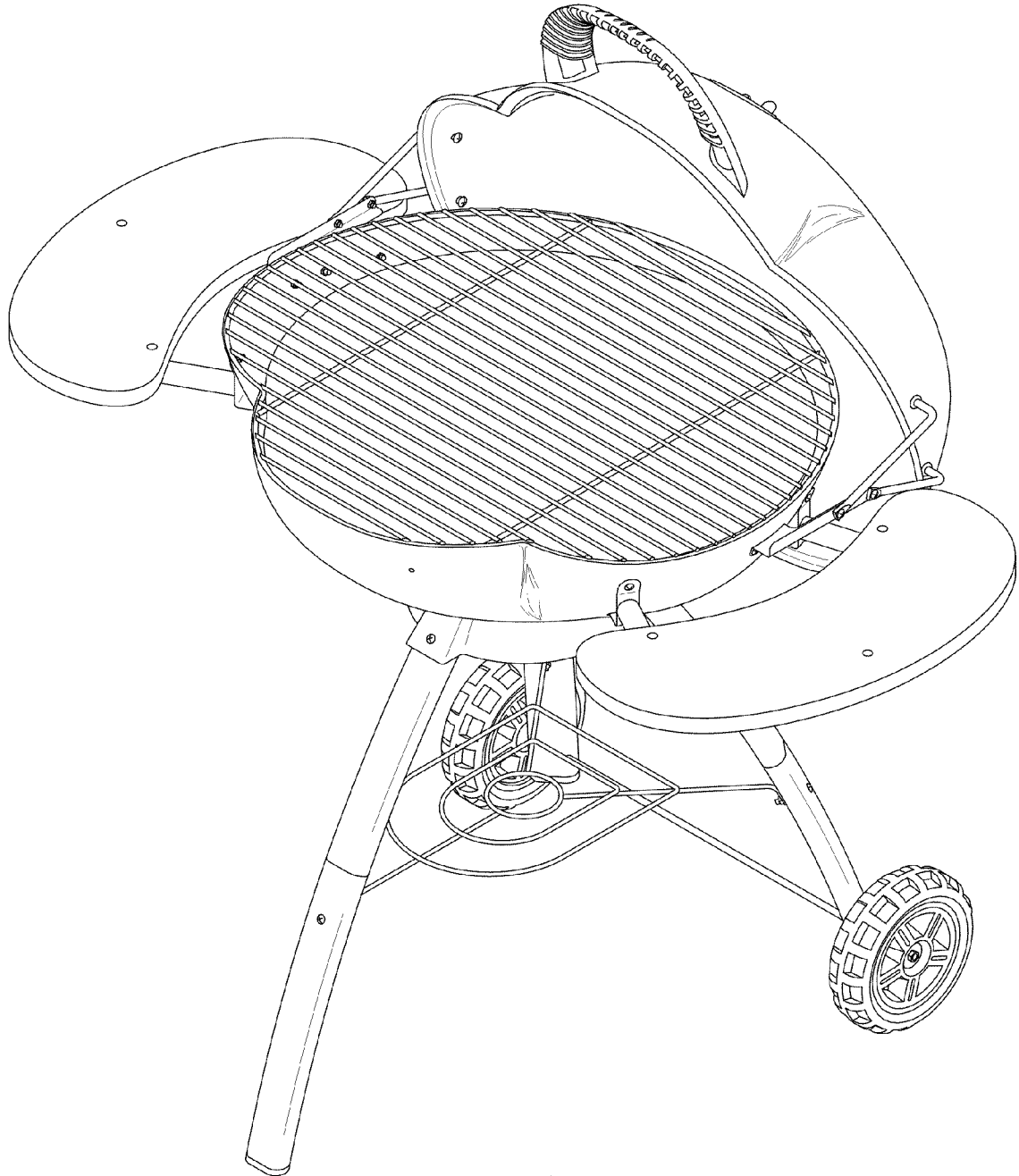


FIG. 8