

231,829

SHOWER HEAD

Gerald W. Frasier, Sherman Oaks, Calif., assignor to
Rain Jet Corp., Burbank, Calif.

Filed Aug. 28, 1972, Ser. No. 284,088

Term of patent 14 years

Int. Cl. D23—01

U.S. Cl. D23—35

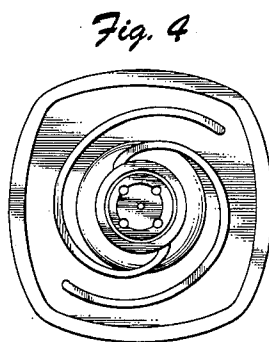
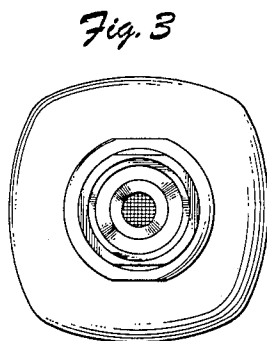
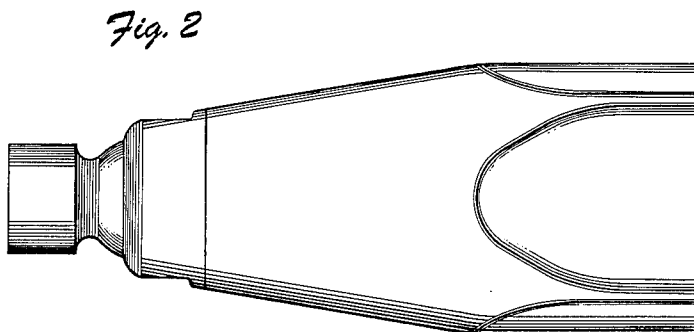
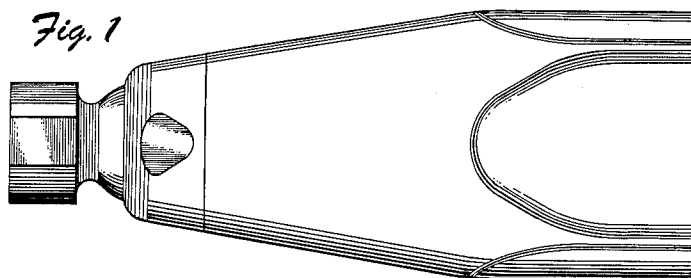


FIG. 1 is a left side elevational view of a shower head showing my new design;

FIG. 2 is a top plan view thereof;

FIG. 3 is a left end elevational view thereof; and

FIG. 4 is a right end elevational view thereof.

I claim:

The ornamental design for a shower head, substantially as shown.

References Cited

UNITED STATES PATENTS

| | | | | |
|------------|---------|-------------------|-------|-----------|
| D. 101,440 | 10/1936 | Dreyfuss | ----- | D23—35 |
| D. 186,757 | 11/1959 | Hruby, Jr. et al. | ----- | D23—35 |
| D. 191,428 | 9/1961 | Leighton | ----- | D23—35 |
| D. 215,936 | 11/1969 | Contreras | ----- | D23—35 |
| 2,657,955 | 11/1953 | Manning | | |
| 2,974,877 | 3/1961 | Hruby, Jr. | ----- | 239—456 X |
| 3,254,842 | 6/1966 | Bachli et al. | ----- | 239—460 X |

OTHER REFERENCES

Hardware Age, October 1964, p. 68, item No. 39.

JAMES R. LARGEN, Primary Examiner