

(19) World Intellectual Property Organization
International Bureau



(43) International Publication Date
29 March 2007 (29.03.2007)

PCT

(10) International Publication Number
WO 2007/034427 A3

- (51) **International Patent Classification:**
A61M 25/00 (2006.01) A61M 27/00 (2006.01)
A61M 25/10 (2006.01)
- (21) **International Application Number:**
PCT/IB2006/053405
- (22) **International Filing Date:**
20 September 2006 (20.09.2006)
- (25) **Filing Language:** Turkish
- (26) **Publication Language:** English
- (30) **Priority Data:**
2005/03763 20 September 2005 (20.09.2005) TR
- (71) **Applicant (for all designated States except US):**
BASKENT UNIVERSITESI [TR/TR]; 1. Cadde
No: 77, Bahçelievler, 06490 Ankara (TR).
- (72) **Inventors; and**
- (75) **Inventors/Applicants (for US only):** **HABERAL, Mehmet** [TR/TR]; 10. Sokak No: 45, Bahçelievler, 06490 Ankara (TR). **BOYVAT, Fatih** [TR/TR]; 10. Sokak No: 45, Bahçelievler, 06490 Ankara (TR).
- (74) **Agent:** **ANKARA PATENT BUREAU LIMITED;**
Bestekar Sokak No.10, Kavaklıdere, 06680 Ankara (TR).
- (81) **Designated States (unless otherwise indicated, for every kind of national protection available):** AE, AG, AL, AM, AT, AU, AZ, BA, BB, BG, BR, BW, BY, BZ, CA, CH, CN, CO, CR, CU, CZ, DE, DK, DM, DZ, EC, EE, EG, ES, FI, GB, GD, GE, GH, GM, HN, HR, HU, ID, IL, IN, IS, JP, KE, KG, KM, KN, KP, KR, KZ, LA, LC, LK, LR, LS, LT, LU, LV, LY, MA, MD, MG, MK, MN, MW, MX, MY, MZ, NA, NG, NI, NO, NZ, OM, PG, PH, PL, PT, RO, RS, RU, SC, SD, SE, SG, SK, SL, SM, SV, SY, TJ, TM, TN, TR, TT, TZ, UA, UG, US, UZ, VC, VN, ZA, ZM, ZW.
- (84) **Designated States (unless otherwise indicated, for every kind of regional protection available):** ARIPO (BW, GH, GM, KE, LS, MW, MZ, NA, SD, SL, SZ, TZ, UG, ZM, ZW), Eurasian (AM, AZ, BY, KG, KZ, MD, RU, TJ, TM), European (AT, BE, BG, CH, CY, CZ, DE, DK, EE, ES, FI, FR, GB, GR, HU, IE, IS, IT, LT, LU, LV, MC, NL, PL, PT, RO, SE, SI, SK, TR), OAPI (BF, BJ, CF, CG, CI, CM, GA, GN, GQ, GW, ML, MR, NE, SN, TD, TG).
- Published:**
— with international search report
— before the expiration of the time limit for amending the claims and to be republished in the event of receipt of amendments
- (88) **Date of publication of the international search report:**
30 October 2008

(54) **Title:** A CATHETER

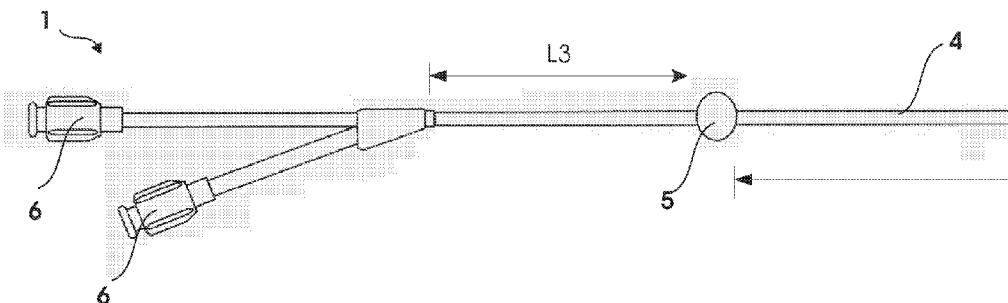


FIGURE 1

(57) **Abstract:** The present invention relates to a catheter used to minimize and check complications in bile ducts after liver transplantation and if necessary, to allow percutaneous intervention.



WO 2007/034427 A3

INTERNATIONAL SEARCH REPORT

International application No
PCT/IB2006/053405

A. CLASSIFICATION OF SUBJECT MATTER

INV. A61M25/00 A61M25/10 A61M27/00

According to International Patent Classification (IPC) or to both national classification and IPC

B. FIELDS SEARCHED

Minimum documentation searched (classification system followed by classification symbols)
A61M

Documentation searched other than minimum documentation to the extent that such documents are included in the fields searched

Electronic data base consulted during the international search (name of data base and, where practical, search terms used)

EPO-Internal, WPI Data

C. DOCUMENTS CONSIDERED TO BE RELEVANT

Category*	Citation of document, with indication, where appropriate, of the relevant passages	Relevant to claim No.
Y	WO 01/24867 A (WOLFFGRAM THOMAS [DE]; KRIETER AXEL [DE]) 12 April 2001 (2001-04-12) page 1, line 1 - page 1, line 11 page 6, line 21 - page 7, line 28 page 9, line 13 - page 10, line 5 page 13, line 2 - page 15, line 4; figure 1	1-5
Y	US 2003/018309 A1 (BREZNOCK EUGENE MICHAEL [US]) 23 January 2003 (2003-01-23) page 1, paragraph 1 page 1, paragraph 8 - page 1, paragraph 10 page 2, paragraph 16 - page 2, paragraph 19 page 2, paragraph 29 - page 4, paragraph 41; figures 1-4B	1-5
	----- -/--	



Further documents are listed in the continuation of Box C.



See patent family annex.

* Special categories of cited documents :

- *A* document defining the general state of the art which is not considered to be of particular relevance
- *E* earlier document but published on or after the international filing date
- *L* document which may throw doubts on priority claim(s) or which is cited to establish the publication date of another citation or other special reason (as specified)
- *O* document referring to an oral disclosure, use, exhibition or other means
- *P* document published prior to the international filing date but later than the priority date claimed

- *T* later document published after the international filing date or priority date and not in conflict with the application but cited to understand the principle or theory underlying the invention
- *X* document of particular relevance; the claimed invention cannot be considered novel or cannot be considered to involve an inventive step when the document is taken alone
- *Y* document of particular relevance; the claimed invention cannot be considered to involve an inventive step when the document is combined with one or more other such documents, such combination being obvious to a person skilled in the art.
- * & * document member of the same patent family

Date of the actual completion of the international search

20 August 2008

Date of mailing of the international search report

28/08/2008

Name and mailing address of the ISA/

European Patent Office, P.B. 5818 Patentlaan 2
NL - 2280 HV Rijswijk
Tel. (+31-70) 340-2040, Tx. 31 651 epo nl,
Fax: (+31-70) 340-3016

Authorized officer

Rolland, Philippe

INTERNATIONAL SEARCH REPORT

International application No

PCT/IB2006/053405

C(Continuation). DOCUMENTS CONSIDERED TO BE RELEVANT

Category*	Citation of document, with indication, where appropriate, of the relevant passages	Relevant to claim No.
Y	US 3 583 404 A (MCWHORTER DANIEL M) 8 June 1971 (1971-06-08) column 1, line 3 - column 1, line 9 column 1, line 70 - column 2, line 38; figure 1 -----	1,2
Y	WO 99/58174 A (CARDEON CORP [US]) 18 November 1999 (1999-11-18) page 1, line 2 - page 1, line 4 page 23, line 16 - page 26, line 2; figures 11-13 -----	1
A	US 2004/193093 A1 (DESMOND JOSEPH P [US] DESMOND III JOSEPH P [US]) 30 September 2004 (2004-09-30) page 1, paragraph 1 page 1, paragraph 5 page 2, paragraph 33 - page 3, paragraph 39; figures 1a-4b page 4, paragraph 50 - page 4, paragraph 51 -----	1,2,4,5

INTERNATIONAL SEARCH REPORT

Information on patent family members

International application No

PCT/IB2006/053405

Patent document cited in search report		Publication date	Patent family member(s)	Publication date
WO 0124867	A	12-04-2001	AU 7913800 A DE 19947907 A1 EP 1221998 A1 JP 2003511111 T	10-05-2001 19-04-2001 17-07-2002 25-03-2003
US 2003018309	A1	23-01-2003	US 2006206097 A1 US 2004087905 A1	14-09-2006 06-05-2004
US 3583404	A	08-06-1971	NONE	
WO 9958174	A	18-11-1999	AU 762196 B2 AU 3973899 A AU 2003248190 A1 CA 2331323 A1 DE 69911950 D1 DE 69911950 T2 EP 1076573 A2	19-06-2003 29-11-1999 30-10-2003 18-11-1999 13-11-2003 29-07-2004 21-02-2001
US 2004193093	A1	30-09-2004	US 2007118228 A1 WO 2004087013 A1	24-05-2007 14-10-2004