

(19) World Intellectual Property Organization
International Bureau



(43) International Publication Date
5 October 2006 (05.10.2006)

PCT

(10) International Publication Number
WO 2006/104731 A3

(51) International Patent Classification:

A63F 9/24 (2006.01) G06F 17/00 (2006.01)
A63F 13/00 (2006.01) G06F 19/00 (2006.01)

(74) Agents: BURNHAM, Daniel, J. et al.; Jenkens & Gilchrist, a Professional Corporation, 225 W. Washington Street, Suite 2600, Chicago, IL 60606-3418 (US).

(21) International Application Number:

PCT/US2006/009799

(81) Designated States (unless otherwise indicated, for every kind of national protection available): AE, AG, AL, AM, AT, AU, AZ, BA, BB, BG, BR, BW, BY, BZ, CA, CH, CN, CO, CR, CU, CZ, DE, DK, DM, DZ, EC, EE, EG, ES, FI, GB, GD, GE, GH, GM, HR, HU, ID, IL, IN, IS, JP, KE, KG, KM, KN, KP, KR, KZ, LC, LK, LR, LS, LT, LU, LV, LY, MA, MD, MG, MK, MN, MW, MX, MZ, NA, NG, NI, NO, NZ, OM, PG, PH, PL, PT, RO, RU, SC, SD, SE, SG, SK, SL, SM, SY, TJ, TM, TN, TR, TT, TZ, UA, UG, US, UZ, VC, VN, YU, ZA, ZM, ZW.

(22) International Filing Date: 17 March 2006 (17.03.2006)

(25) Filing Language: English

(26) Publication Language: English

(30) Priority Data:
60/667,145 31 March 2005 (31.03.2005) US

(71) Applicant (for all designated States except US): WMS GAMING INC. [US/US]; 800 S. Northpoint Boulevard, Waukegan, IL 60085 (US).

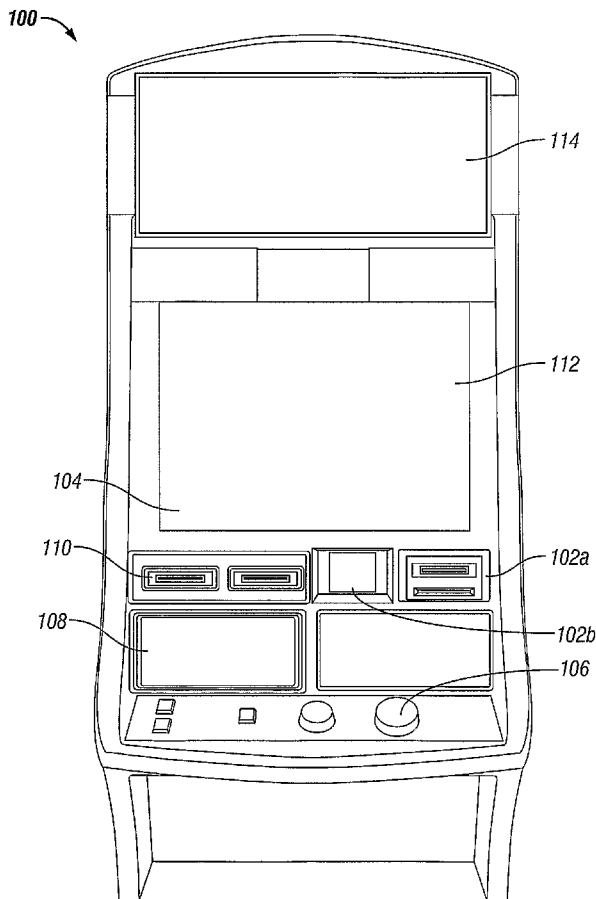
(84) Designated States (unless otherwise indicated, for every kind of regional protection available): ARIPO (BW, GH, GM, KE, LS, MW, MZ, NA, SD, SL, SZ, TZ, UG, ZM, ZW), Eurasian (AM, AZ, BY, KG, KZ, MD, RU, TJ, TM), European (AT, BE, BG, CH, CY, CZ, DE, DK, EE, ES, FI, FR, GB, GR, HU, IE, IS, IT, LT, LU, LV, MC, NL, PL, PT,

(72) Inventor; and

(75) Inventor/Applicant (for US only): PACEY, Larry, J. [US/US]; 3002 Rennes Court, Northbrook, IL 60062 (US).

[Continued on next page]

(54) Title: WAGERING GAMES WITH UNLOCKABLE BONUS ROUNDS



(57) Abstract: Method and system are disclosed for allowing players at wagering game terminals to select entire sets of bonus games instead of a single bonus game upon occurrence of a certain randomly selected basic game outcome. One or more of the bonus games or sets of bonus games may be temporarily unavailable or "locked" to the player. The player may unlock the bonus games or sets of bonus games by acquiring certain game assets, reaching certain game milestones, and/or exceeding certain wagering levels. The unlocked games may reveal credits, prizes, progressives, basic and/or bonus game updates, or additional bonus games, some of which may also be locked. The updates and additions may already be present in the wagering game terminals or they may be downloaded from a central location. The player may retain the locked and unlocked statuses of the bonus games across multiple wagering game sessions and/or wagering game terminals.

WO 2006/104731 A3



RO, SE, SI, SK, TR), OAPI (BF, BJ, CF, CG, CI, CM, GA, GN, GQ, GW, ML, MR, NE, SN, TD, TG).

— *before the expiration of the time limit for amending the claims and to be republished in the event of receipt of amendments*

Declarations under Rule 4.17:

- *as to the applicant's entitlement to claim the priority of the earlier application (Rule 4.17(iii))*
- *of inventorship (Rule 4.17(iv))*

(88) Date of publication of the international search report:
3 May 2007

Published:

- *with international search report*

For two-letter codes and other abbreviations, refer to the "Guidance Notes on Codes and Abbreviations" appearing at the beginning of each regular issue of the PCT Gazette.

INTERNATIONAL SEARCH REPORT

International application No.

PCT/US06/09799

A. CLASSIFICATION OF SUBJECT MATTER
 IPC: **A63F 9/24**(2006.01),**13/00**(2006.01);**G06F 17/00**(2006.01),**19/00**(2006.01)

 USPC: 463/17.18.19.20
 According to International Patent Classification (IPC) or to both national classification and IPC

B. FIELDS SEARCHED
 Minimum documentation searched (classification system followed by classification symbols)
 U.S. : 463/17.18.19.20

 Documentation searched other than minimum documentation to the extent that such documents are included in the fields searched

 Electronic data base consulted during the international search (name of data base and, where practicable, search terms used)

C. DOCUMENTS CONSIDERED TO BE RELEVANT

Category *	Citation of document, with indication, where appropriate, of the relevant passages	Relevant to claim No.
X	US 6.315.666 B1 (MASTERA et al) 13 November 2001 (13.11.2001). See entire document.	1-10,14-20,23,25-37
Y	US 6.280.325 B1 (FISK) 28 August 2001 (28.08.2001), See entire document.	11-13,21-22,24,38-48

Further documents are listed in the continuation of Box C. See patent family annex.

* Special categories of cited documents:	
"A" document defining the general state of the art which is not considered to be of particular relevance	"T" later document published after the international filing date or priority date and not in conflict with the application but cited to understand the principle or theory underlying the invention
"E" earlier application or patent published on or after the international filing date	"X" document of particular relevance; the claimed invention cannot be considered novel or cannot be considered to involve an inventive step when the document is taken alone
"L" document which may throw doubts on priority claim(s) or which is cited to establish the publication date of another citation or other special reason (as specified)	"Y" document of particular relevance; the claimed invention cannot be considered to involve an inventive step when the document is combined with one or more other such documents, such combination being obvious to a person skilled in the art
"O" document referring to an oral disclosure, use, exhibition or other means	
"P" document published prior to the international filing date but later than the priority date claimed	"&" document member of the same patent family

Date of the actual completion of the international search 21 September 2006 (21.09.2006)	Date of mailing of the international search report 14 MAR 2007
---	--

Name and mailing address of the ISA/US Mail Stop PCT, Attn: ISA/US Commissioner for Patents P.O. Box 1450 Alexandria, Virginia 22313-1450 Facsimile No. (571) 273-3201	Authorized officer Robert Olszewski <i>Sharon D Greene for</i> Telephone No. 571-272-2774
---	---