

(19) World Intellectual Property Organization  
International Bureau



(43) International Publication Date  
14 June 2007 (14.06.2007)

PCT

(10) International Publication Number  
WO 2007/067971 A3

- (51) International Patent Classification:  
G03B 21/56 (2006.01)
- (21) International Application Number:  
PCT/US2006/061780
- (22) International Filing Date:  
8 December 2006 (08.12.2006)
- (25) Filing Language: English
- (26) Publication Language: English
- (30) Priority Data:  
11/164,864 8 December 2005 (08.12.2005) US
- (71) Applicant (for all designated States except US): TEXAS INSTRUMENTS INCORPORATED [US/US]; P.O. Box 655474, Mail Station 3999, Dallas, TX 75265-5474 (US).
- (72) Inventors; and
- (75) Inventors/Applicants (for US only): SEGLER, Dana, F. [US/US]; 2056 Londonberry Drive, Allen, TX 75013 (US). PENN, Steven, M. [US/US]; 7312 Angel Fire Drive, Plano, TX 75025 (US).
- (74) Agents: FRANZ, Warren, L. et al.; Texas Instruments Incorporated, Deputy General Patent Counsel, P.O. Box 655474, MS 3999, Dallas, TX 75265-5474 (US).

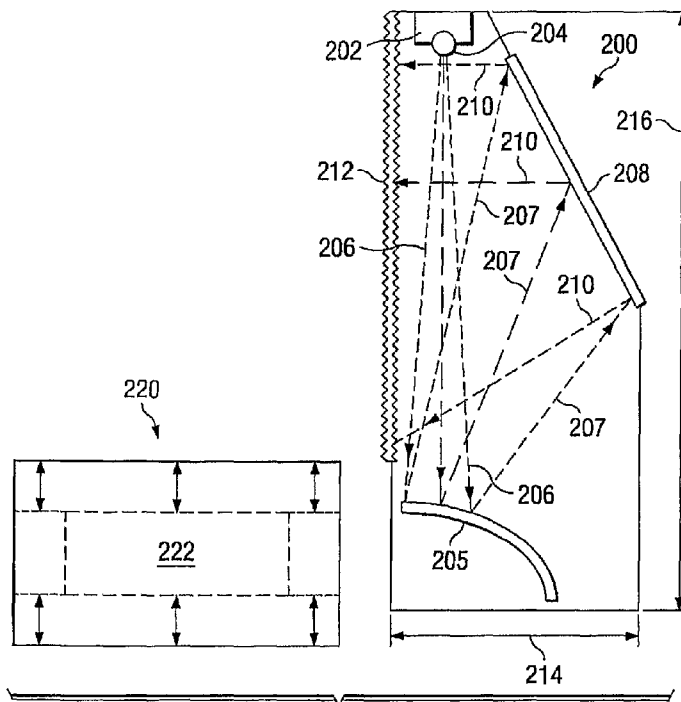
- (81) Designated States (unless otherwise indicated, for every kind of national protection available): AE, AG, AL, AM, AT, AU, AZ, BA, BB, BG, BR, BW, BY, BZ, CA, CH, CN, CO, CR, CU, CZ, DE, DK, DM, DZ, EC, EE, EG, ES, FI, GB, GD, GE, GH, GM, GT, HN, HR, HU, ID, IL, IN, IS, JP, KE, KG, KM, KN, KP, KR, KZ, LA, LC, LK, LR, LS, LT, LU, LV, LY, MA, MD, MG, MK, MN, MW, MX, MY, MZ, NA, NG, NI, NO, NZ, OM, PG, PH, PL, PT, RO, RS, RU, SC, SD, SE, SG, SK, SL, SM, SV, SY, TJ, TM, TN, TR, TT, TZ, UA, UG, US, UZ, VC, VN, ZA, ZM, ZW.
- (84) Designated States (unless otherwise indicated, for every kind of regional protection available): ARIPO (BW, GH, GM, KE, LS, MW, MZ, NA, SD, SL, SZ, TZ, UG, ZM, ZW), Eurasian (AM, AZ, BY, KG, KZ, MD, RU, TJ, TM), European (AT, BE, BG, CH, CY, CZ, DE, DK, EE, ES, FI, FR, GB, GR, HU, IE, IS, IT, LT, LU, LV, MC, NL, PL, PT, RO, SE, SI, SK, TR), OAPI (BF, BJ, CF, CG, CI, CM, GA, GN, GQ, GW, ML, MR, NE, SN, TD, TG).

**Declarations under Rule 4.17:**

- as to applicant's entitlement to apply for and be granted a patent (Rule 4.17(ii))
- as to the applicant's entitlement to claim the priority of the earlier application (Rule 4.17(iii))

[Continued on next page]

(54) Title: PROJECTION TV WITH REDUCED CABINET DIMENSIONS



(57) Abstract: Described is a rear projection television (200) with reduced cabinet depth (214) and method of manufacturing thereof. An anamorphic projection lens (204) compresses an image and projects it along an optic path, where a cylindrical mirror expands and reflects the image within the optic path. The combination of compression and expansion facilitates in the design of a rear projection television with reduced cabinet depth.

WO 2007/067971 A3



**Published:**

- with international search report
- before the expiration of the time limit for amending the claims and to be republished in the event of receipt of amendments

*For two-letter codes and other abbreviations, refer to the "Guidance Notes on Codes and Abbreviations" appearing at the beginning of each regular issue of the PCT Gazette.*

**(88) Date of publication of the international search report:**

15 November 2007

INTERNATIONAL SEARCH REPORT

International application No.  
PCT/US06/61780

A. CLASSIFICATION OF SUBJECT MATTER  
IPC(8) - G03B 21/56 (2007.01)  
USPC - 359/460  
According to International Patent Classification (IPC) or to both national classification and IPC

B. FIELDS SEARCHED

Minimum documentation searched (classification system followed by classification symbols)  
IPC(8) - G03B 21/56 (2007.01)  
USPC - 359/460

Documentation searched other than minimum documentation to the extent that such documents are included in the fields searched

Electronic data base consulted during the international search (name of data base and, where practicable, search terms used)  
MicroPatent

C. DOCUMENTS CONSIDERED TO BE RELEVANT

| Category* | Citation of document, with indication, where appropriate, of the relevant passages | Relevant to claim No. |
|-----------|--|-----------------------|
| Y         | US 6,873,460 B1 (BURSTYN et al) 29 March 2005 (29.03.2005) entire document         | 1-10                  |
| Y         | US 6,406,150 B1 (BURSTYN) 18 June 2002 (18.06.2002) entire document                | 1-10                  |
| A         | US 6,935,752 B2 (JEON) 30 August 2005 (30.08.2005) entire document                 | 1-10                  |

Further documents are listed in the continuation of Box C.

|   |  |
|---|--|
| * Special categories of cited documents:  | "T" later document published after the international filing date or priority date and not in conflict with the application but cited to understand the principle or theory underlying the invention  |
| "A" document defining the general state of the art which is not considered to be of particular relevance  | "X" document of particular relevance; the claimed invention cannot be considered novel or cannot be considered to involve an inventive step when the document is taken alone   |
| "E" earlier application or patent but published on or after the international filing date   | "Y" document of particular relevance; the claimed invention cannot be considered to involve an inventive step when the document is combined with one or more other such documents, such combination being obvious to a person skilled in the art |
| "L" document which may throw doubts on priority claim(s) or which is cited to establish the publication date of another citation or other special reason (as specified) | "&" document member of the same patent family  |
| "O" document referring to an oral disclosure, use, exhibition or other means  |  |
| "P" document published prior to the international filing date but later than the priority date claimed  |  |

|   |  |
|---|--|
| Date of the actual completion of the international search<br>27 June 2007 | Date of mailing of the international search report<br><b>25 SEP 2007</b> |
|---|--|

|   |   |
|---|---|
| Name and mailing address of the ISA/US<br>Mail Stop PCT, Attn: ISA/US, Commissioner for Patents<br>P.O. Box 1450, Alexandria, Virginia 22313-1450<br>Facsimile No. 571-273-3201 | Authorized officer:<br>Blaine R. Copenheaver<br>PCT Helpdesk: 571-272-4300<br>PCT OSP: 571-272-7774 |
|---|---|