

(19) World Intellectual Property Organization
International Bureau



(43) International Publication Date
8 March 2001 (08.03.2001)

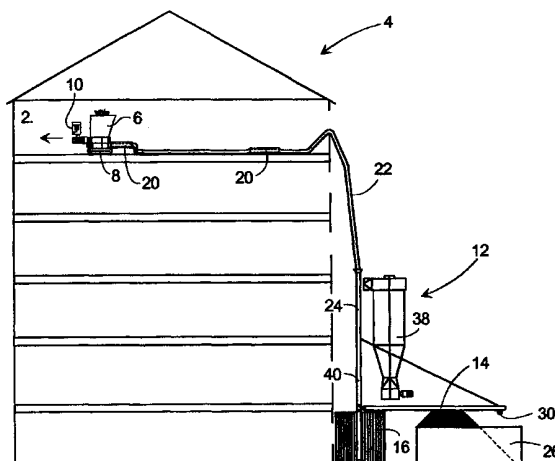
PCT

(10) International Publication Number
WO 01/15810 A3

- (51) International Patent Classification⁷: B02C 21/02, 23/08
- (21) International Application Number: PCT/DK00/00473
- (22) International Filing Date: 25 August 2000 (25.08.2000)
- (25) Filing Language: Danish
- (26) Publication Language: English
- (30) Priority Data:
PA 1999 01194 27 August 1999 (27.08.1999) DK
- (71) Applicant (for all designated States except US): FRANDSEN INDUSTRI [DK/DK]; Ærøvej 14, DK-9500 Hobro (DK).
- (72) Inventor; and
- (75) Inventor/Applicant (for US only): FRANDSEN, Karl, Johan, Klitgaard [DK/DK]; Teglværkssvinget 9, Stinesminde, DK-9500 Hobro (DK).
- (74) Agent: K. SKØTT-JENSEN PATENTINGENIØRER A/S; Lemmingvej 225, DK-8361 Hasselager (DK).
- (81) Designated States (national): AE, AG, AL, AM, AT, AT (utility model), AU, AZ, BA, BB, BG, BR, BY, BZ, CA, CH, CN, CR, CU, CZ, CZ (utility model), DE, DE (utility model), DK, DK (utility model), DM, DZ, EE, EE (utility model), ES, FI, FI (utility model), GB, GD, GE, GH, GM, HR, HU, ID, IL, IN, IS, JP, KE, KG, KP, KR, KZ, LC, LK, LR, LS, LT, LU, LV, MA, MD, MG, MK, MN, MW, MX, MZ, NO, NZ, PL, PT, RO, RU, SD, SE, SG, SI, SK, SK (utility model), SL, TJ, TM, TR, TT, TZ, UA, UG, US, UZ, VN, YU, ZA, ZW.
- (84) Designated States (regional): ARIPO patent (GH, GM, KE, LS, MW, MZ, SD, SL, SZ, TZ, UG, ZW), Eurasian patent (AM, AZ, BY, KG, KZ, MD, RU, TJ, TM), European patent (AT, BE, CH, CY, DE, DK, ES, FI, FR, GB, GR, IE, IT, LU, MC, NL, PT, SE), OAPI patent (BF, BJ, CF, CG, CI, CM, GA, GN, GW, ML, MR, NE, SN, TD, TG).
- Published:
— with international search report
- (88) Date of publication of the international search report: 30 August 2001

[Continued on next page]

(54) Title: METHOD AND SYSTEM FOR TREATING AND SORTING BUILDING SCRAP



(57) Abstract: Unsorted building scrap represents great problems, both where the volume is concerned and where the possibilities of disposal are concerned, in that this involves a mixture of practically everything which is to be found in a building, such as woodwork, plaster, glass, electrical and gas installations. A method and a system are disclosed for solving the problems connected with building scrap, comprising an immediate dividing-down of the building scrap at a dividing-down station comprising a dividing-down unit (6) with a vacuum arrangement for dust collection set up in the immediate proximity of where the demolition work takes place, the carrying out of transport of divided-down building scrap between the dividing-down station and respective containers (26, 26') for receiving source-sorted scrap by means of a closed conveyor (14) connected to a distribution station (12) controlled remotely from the dividing-down station (6), the distribution station (12) similarly being provided with a vacuum arrangement with dust collection (38) and leading the respective types of scrap to respective closed containers (26, 26') set up for this purpose. It is hereby achieved that the building scrap is divided-down and sorted in respective container spaces (26, 26') before being discarded.



WO 01/15810 A3



For two-letter codes and other abbreviations, refer to the "Guidance Notes on Codes and Abbreviations" appearing at the beginning of each regular issue of the PCT Gazette.

INTERNATIONAL SEARCH REPORT

International application No.
PCT/DK 00/00473

A. CLASSIFICATION OF SUBJECT MATTER

IPC7: B02C 21/02, B02C 23/08
According to International Patent Classification (IPC) or to both national classification and IPC

B. FIELDS SEARCHED

Minimum documentation searched (classification system followed by classification symbols)

IPC7: B02C, B07B, B09B, E04F

Documentation searched other than minimum documentation to the extent that such documents are included in the fields searched

Electronic data base consulted during the international search (name of data base and, where practicable, search terms used)

C. DOCUMENTS CONSIDERED TO BE RELEVANT

Category*	Citation of document, with indication, where appropriate, of the relevant passages	Relevant to claim No.
A	WO 9725263 A1 (SH VAGNEN AB), 17 July 1997 (17.07.97), figures 1,2, claim 1 --	1-13
A	EP 0599102 A1 (KLEEMANN+REINER MASCHINEN- UND ANLAGENBAU VERTRIEBS GMBH), 1 June 1994 (01.06.94), figure 3, abstract -- -----	1-13

Further documents are listed in the continuation of Box C. See patent family annex.

* Special categories of cited documents:	"T" later document published after the international filing date or priority date and not in conflict with the application but cited to understand the principle or theory underlying the invention
"A" document defining the general state of the art which is not considered to be of particular relevance	"X" document of particular relevance: the claimed invention cannot be considered novel or cannot be considered to involve an inventive step when the document is taken alone
"E" earlier application or patent but published on or after the international filing date	"Y" document of particular relevance: the claimed invention cannot be considered to involve an inventive step when the document is combined with one or more other such documents, such combination being obvious to a person skilled in the art
"L" document which may throw doubts on priority claim(s) or which is cited to establish the publication date of another citation or other special reason (as specified)	"&" document member of the same patent family
"O" document referring to an oral disclosure, use, exhibition or other means	
"P" document published prior to the international filing date but later than the priority date claimed	

Date of the actual completion of the international search 21 November 2000	Date of mailing of the international search report 28.02.2001
--	---

Name and mailing address of the International Searching Authority European Patent Office P.B. 5818 Patentlaan 2 NL-2280 HV Rijswijk Tel(+31-70)340-2040, Tx 31 651 epo nl, Fax(+31-70)340-3016	Authorized officer WIVA ASPLUND/ELY Telephone No.
--	--

INTERNATIONAL SEARCH REPORT
Information on patent family members

02/11/00

International application No.

PCT/DK 00/00473

Patent document cited in search report			Publication date	Patent family member(s)		Publication date
WO	9725263	A1	17/07/97	AU	4593596 A	07/08/96
				EP	0815033 A	07/01/98
				SE	508715 C	02/11/98
				SE	9600067 A	10/07/97
EP	0599102	A1	01/06/94	AT	152636 T	15/05/97
				DE	4239190 A,C	26/05/94
				DE	59306389 D	00/00/00