

(19)



(11)

**EP 1 645 699 A3**

(12)

**EUROPEAN PATENT APPLICATION**

(88) Date of publication A3:  
**28.05.2008 Bulletin 2008/22**

(51) Int Cl.:  
**E04F 11/16<sup>(2006.01)</sup>**

(43) Date of publication A2:  
**12.04.2006 Bulletin 2006/15**

(21) Application number: **05380011.6**

(22) Date of filing: **19.01.2005**

(84) Designated Contracting States:  
**AT BE BG CH CY CZ DE DK EE ES FI FR GB GR  
HU IE IS IT LI LT LU MC NL PL PT RO SE SI SK TR**  
Designated Extension States:  
**AL BA HR LV MK YU**

(72) Inventor: **Llorca Vaquer, Antonio**  
**c/o Peltorex, S.L.**  
**12540 Vila Real, Castellon de la Plana (ES)**

(30) Priority: **07.10.2004 ES 200402277 U**

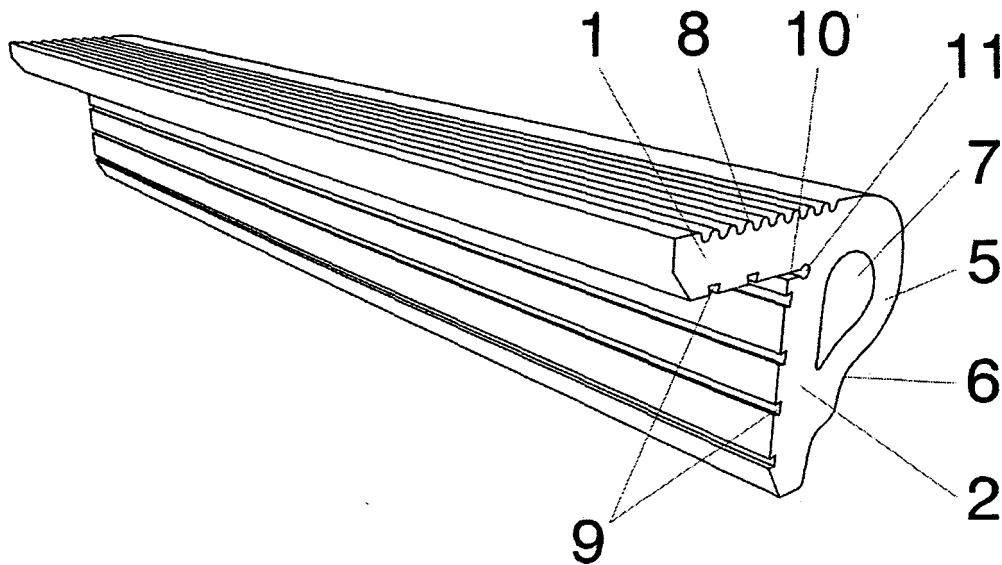
(74) Representative: **Carvajal y Urquijo, Isabel et al**  
**Clarke, Modet & Co.,**  
**C/ Goya No. 11**  
**28001 Madrid (ES)**

(71) Applicant: **Peltorex, S.L.**  
**12540 Vila-Real,**  
**Castellon de la Plana (ES)**

(54) **Nosing for steps**

(57) A nosing for steps having a continuous angular profile made up of a single piece, the sides of which are intended for making up a portion of the tread, and the other, a portion of the riser, the inner edge having as an

extension of the inner face corresponding to the tread a deep and narrow groove that allows for the introduction of a longitudinal member allowing the perfect alignment of the different step nosings making up each step.



**FIG. 1**

**EP 1 645 699 A3**



DOCUMENTS CONSIDERED TO BE RELEVANT			
Category	Citation of document with indication, where appropriate, of relevant passages	Relevant to claim	CLASSIFICATION OF THE APPLICATION (IPC)
X	WO 01/89786 A (LO SCALINO S R L [IT]; PASTORELLI GIOVANNI [IT]) 29 November 2001 (2001-11-29) * figures 1,3,8 *	1,2	INV. E04F11/16
Y	ES 1 056 923 U (PASICOS S A [ES]) 1 June 2004 (2004-06-01) * the whole document *	1,2	
Y	EP 0 784 132 A (PASTORELLI CERAMICHE SPA [IT] LO SCALINO S R L [IT]) 16 July 1997 (1997-07-16) * column 3, line 55 - column 4, line 3; figure 3 *	1,2	
X	DE 93 02 089 U1 (DURAL GMBH & CO. KG, 5430 MONTABAUER, DE) 6 May 1993 (1993-05-06) * figure 2 *	1,2	
A	GB 2 142 672 A (PEACOCK GEORGE ALISTAIR) 23 January 1985 (1985-01-23) * figure 1 *	1,2	
The present search report has been drawn up for all claims			TECHNICAL FIELDS SEARCHED (IPC) E04F
Place of search The Hague		Date of completion of the search 13 December 2007	Examiner Severens, Gert
CATEGORY OF CITED DOCUMENTS X : particularly relevant if taken alone Y : particularly relevant if combined with another document of the same category A : technological background O : non-written disclosure P : intermediate document		T : theory or principle underlying the invention E : earlier patent document, but published on, or after the filing date D : document cited in the application L : document cited for other reasons & : member of the same patent family, corresponding document	

EPO FORM 1505 03.02 (P04C01)

ANNEX TO THE EUROPEAN SEARCH REPORT  
ON EUROPEAN PATENT APPLICATION NO.

EP 05 38 0011

This annex lists the patent family members relating to the patent documents cited in the above-mentioned European search report. The members are as contained in the European Patent Office EDP file on  
The European Patent Office is in no way liable for these particulars which are merely given for the purpose of information.

13-12-2007

Patent document cited in search report		Publication date	Patent family member(s)	Publication date
WO 0189786	A	29-11-2001	NONE	
ES 1056923	U	01-06-2004	NONE	
EP 0784132	A	16-07-1997	DE 69716972 D1	19-12-2002
			DE 69716972 T2	17-07-2003
			ES 2185819 T3	01-05-2003
			IT M0960004 A1	14-07-1997
DE 9302089	U1	06-05-1993	NONE	
GB 2142672	A	23-01-1985	NONE	