



(12) **EUROPEAN PATENT APPLICATION**

(88) Date of publication A3:
13.11.2002 Bulletin 2002/46

(51) Int Cl.7: **E04F 11/02**

(43) Date of publication A2:
08.08.2001 Bulletin 2001/32

(21) Application number: **01301080.6**

(22) Date of filing: **07.02.2001**

(84) Designated Contracting States:
**AT BE CH CY DE DK ES FI FR GB GR IE IT LI LU
MC NL PT SE TR**
Designated Extension States:
AL LT LV MK RO SI

(72) Inventors:
• **Matsuoka, Tetsuya, c/o Sweden House Co., Ltd.
Setagaya-ku, Tokyo, 154-0004 (JP)**
• **Kuroda, Yutaka, c/o Sweden House Co., Ltd.
Setagaya-ku, Tokyo, 154-0004 (JP)**

(30) Priority: **07.02.2000 JP 2000028572**

(74) Representative: **Silverman, Warren
Haseltine Lake & Co.
Imperial House,
15-19 Kingsway
London WC2B 6UD (GB)**

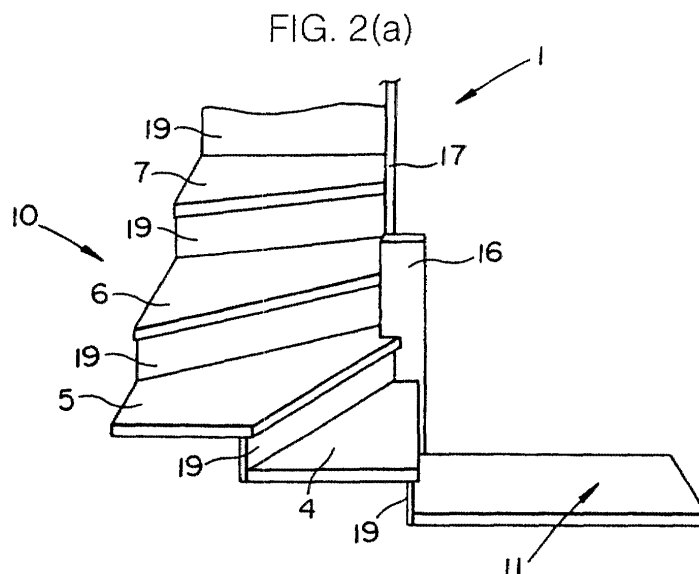
(71) Applicant: **Sweden House Co. Ltd.
Tokyo 154-0004 (JP)**

(54) **Curved staircase and stair tread for curved staircase**

(57) A curved staircase (1) and a stair tread (4,5,6,7) for a curved staircase (1) capable of reducing a stock space used for stock keeping, enhancing the working efficiency for shipment without requiring a selection operation in accordance with a curve direction of a curved staircase (1), and facilitating assembly at a building site is provided.

A curved staircase A (1) is formed by asymmetrical stair treads (4,5,6 and 7) such that finishing process for

enabling use as a treadboard is applied to one horizontal surface of each stair tread (4,5,6,7), which can be an upper surface when arranged in a curved portion (10) bent in the right-hand direction and the same finishing process as that for the former horizontal surface is applied to the other horizontal surface of the stair tread (4,5,6,7), which can be an upper surface when the stair tread (4,5,6,7) is inverted to be arranged in the curved portion (10) bent in the left-hand direction.





European Patent
Office

EUROPEAN SEARCH REPORT

Application Number
EP 01 30 1080

| DOCUMENTS CONSIDERED TO BE RELEVANT | | | |
|---|---|--|--|
| Category | Citation of document with indication, where appropriate, of relevant passages | Relevant to claim | CLASSIFICATION OF THE APPLICATION (Int.Cl.7) |
| A | GB 2 038 442 A (KENCOT IND LTD) 23 July 1980 (1980-07-23) * page 2, line 31 - page 4, line 115; figures 1-6 * | 1,2,4,5, 7 | E04F11/02 |
| A | EP 0 119 118 A (ESCARMOR S A) 19 September 1984 (1984-09-19) * page 2, line 8 - page 6, line 10; figures 1-7 * | 1,3 | |
| A | US 5 167 102 A (KOBAYASHI TAKASHI ET AL) 1 December 1992 (1992-12-01) * the whole document * | 1 | |
| The present search report has been drawn up for all claims | | | TECHNICAL FIELDS SEARCHED (Int.Cl.7) |
| | | | E04F |
| Place of search | Date of completion of the search | Examiner | |
| THE HAGUE | 20 September 2002 | Ayiter, J | |
| CATEGORY OF CITED DOCUMENTS | | T : theory or principle underlying the invention E : earlier patent document, but published on, or after the filing date D : document cited in the application L : document cited for other reasons | |
| X : particularly relevant if taken alone Y : particularly relevant if combined with another document of the same category A : technological background O : non-written disclosure P : intermediate document | | & : member of the same patent family, corresponding document | |

EPO FORM 1503 03/92 (P04001)

**ANNEX TO THE EUROPEAN SEARCH REPORT
ON EUROPEAN PATENT APPLICATION NO.**

EP 01 30 1080

This annex lists the patent family members relating to the patent documents cited in the above-mentioned European search report. The members are as contained in the European Patent Office EDP file on
The European Patent Office is in no way liable for these particulars which are merely given for the purpose of information.

20-09-2002

| Patent document cited in search report | | Publication date | | Patent family member(s) | Publication date |
|--|---|------------------|----|-------------------------|------------------|
| GB 2038442 | A | 23-07-1980 | DE | 2938758 A1 | 03-04-1980 |
| | | | JP | 55045995 A | 31-03-1980 |
| | | | NZ | 188503 A | 23-11-1982 |
| | | | US | 4322927 A | 06-04-1982 |
| EP 0119118 | A | 19-09-1984 | FR | 2540923 A1 | 17-08-1984 |
| | | | EP | 0119118 A1 | 19-09-1984 |
| US 5167102 | A | 01-12-1992 | JP | 1942415 C | 23-06-1995 |
| | | | JP | 5018077 A | 26-01-1993 |
| | | | JP | 6078677 B | 05-10-1994 |

EPO FORM P0459

For more details about this annex : see Official Journal of the European Patent Office, No. 12/82