

(19) World Intellectual Property  
Organization  
International Bureau



(10) International Publication Number  
**WO 2015/151125 A8**

(43) International Publication Date  
8 October 2015 (08.10.2015)

(51) International Patent Classification:

**B27B 17/00** (2006.01)    **B28D 7/02** (2006.01)  
**B28D 1/18** (2006.01)    **B28D 7/04** (2006.01)

(21) International Application Number:

PCT/IT2015/000012

(22) International Filing Date:

22 January 2015 (22.01.2015)

(25) Filing Language:

Italian

(26) Publication Language:

English

(30) Priority Data:

FI2014A000019 31 January 2014 (31.01.2014)    IT

(71) Applicant: **IMER INTERNATIONAL S.P.A.** [IT/IT];  
Localita' Salceto 55, Nucleo G - Scala D, I-53036 Pog-  
gibonsi (SI) (IT).

(72) Inventor: **BERTINI, Antonio**; Via Pino Montaccio 336,  
I-50052 Certaldo (FI) (IT).

(74) Agent: **MINCONE, Antimo**; Viale Europe 101, I-50126  
Firenze (IT).

(81) Designated States (unless otherwise indicated, for every  
kind of national protection available): AE, AG, AL, AM,  
AO, AT, AU, AZ, BA, BB, BG, BH, BN, BR, BW, BY,  
BZ, CA, CH, CL, CN, CO, CR, CU, CZ, DE, DK, DM,  
DO, DZ, EC, EE, EG, ES, FI, GB, GD, GE, GH, GM, GT,  
HN, HR, HU, ID, IL, IN, IR, IS, JP, KE, KG, KN, KP, KR,

KZ, LA, LC, LK, LR, LS, LU, LY, MA, MD, ME, MG,  
MK, MN, MW, MX, MY, MZ, NA, NG, NI, NO, NZ, OM,  
PA, PE, PG, PH, PL, PT, QA, RO, RS, RU, RW, SA, SC,  
SD, SE, SG, SK, SL, SM, ST, SV, SY, TH, TJ, TM, TN,  
TR, TT, TZ, UA, UG, US, UZ, VC, VN, ZA, ZM, ZW.

(84) Designated States (unless otherwise indicated, for every  
kind of regional protection available): ARIPO (BW, GH,  
GM, KE, LR, LS, MW, MZ, NA, RW, SD, SL, ST, SZ,  
TZ, UG, ZM, ZW), Eurasian (AM, AZ, BY, KG, KZ, RU,  
TJ, TM), European (AL, AT, BE, BG, CH, CY, CZ, DE,  
DK, EE, ES, FI, FR, GB, GR, HR, HU, IE, IS, IT, LT, LU,  
LV, MC, MK, MT, NL, NO, PL, PT, RO, RS, SE, SI, SK,  
SM, TR), OAPI (BF, BJ, CF, CG, CI, CM, GA, GN, GQ,  
GW, KM, ML, MR, NE, SN, TD, TG).

Declarations under Rule 4.17:

- as to applicant's entitlement to apply for and be granted a patent (Rule 4.17(ii))
- of inventorship (Rule 4.17(iv))

Published:

- with international search report (Art. 21(3))

(48) Date of publication of this corrected version:

11 August 2016

(15) Information about Correction:

see Notice of 11 August 2016

(54) Title: MACHINE TOOL

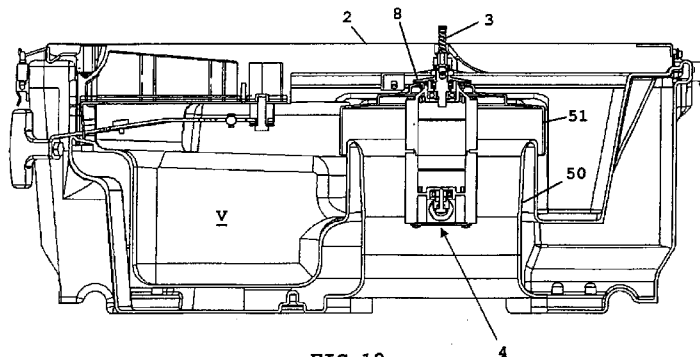


FIG. 12

(57) Abstract: Machine tool, comprising a base (1) with a bottom (10) and a peripheral wall (11) of predetermined height to delimit an internal volume of predetermined capacity and open at the top, in which on the upper edge of said wall (11) is placed, removably, a pierced cover (2), or a work-piece carrier surface provided with through holes (20) through which a refrigerant liquid is free to fall, and wherein an electric motor (4), on which is engaged a tool holder (7), is placed in said inner volume, and wherein said electric motor (4) is inserted in a protection chamber (5) which protects it from the refrigerant liquid passing through said holes (20). The electric motor (4) is connected to corresponding lowering and lifting means, by means of which the tool holder (7) is lowered and raised accordingly, so producing the lifting and lowering of a respective tool (3) through the cover (2).



WO 2015/151125 A8