

(19) World Intellectual Property
Organization
International Bureau



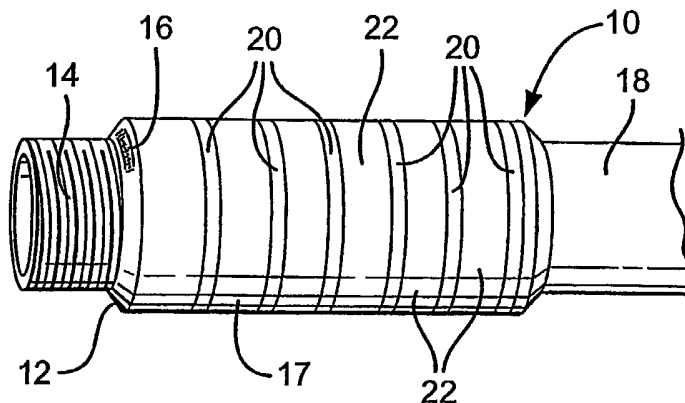
(43) International Publication Date
6 January 2005 (06.01.2005)

PCT

(10) International Publication Number
WO 2005/001795 A3

- (51) International Patent Classification⁷: **G09F 3/00**, F16L 15/08
- (21) International Application Number: PCT/GB2004/002605
- (22) International Filing Date: 15 June 2004 (15.06.2004)
- (25) Filing Language: English
- (26) Publication Language: English
- (30) Priority Data: 60/438,582 27 June 2003 (27.06.2003) US
- (71) Applicants (for all designated States except US): **VARCO I/P, INC.** [US/US]; One BriarLake Plaza, 2000 West Sam Houston Parkway South, Suite 1700, Houston, TX 77042 (US). **LUCAS, Brian** [GB/GB]; Lucas & Co., 135 Westhall Road, Warlingham, Surrey CR6 9HJ (GB).
- (72) Inventors; and
- (75) Inventors/Applicants (for US only): **WILLIAMS, Barry** [US/US]; 2002 Mustang Lane, Rosharon, TX 77583 (US). **KAMMANN, Reinhold** [DE/DE]; Schaffeld 12, 29342 Wienhausen (DE). **WORMS, Manfred, Hermann** [DE/DE]; Maisfeld 15, 29336 Nienhagen (DE).
- (74) Agent: **LUCAS, Brian**; Lucas & Co., 135 Westhall Road, Warlingham, Surrey CR6 9HJ (GB).
- (81) Designated States (unless otherwise indicated, for every kind of national protection available): AE, AG, AL, AM, AT, AU, AZ, BA, BB, BG, BR, BW, BY, BZ, CA, CH, CN, CO, CR, CU, CZ, DE, DK, DM, DZ, EC, EE, EG, ES, FI, GB, GD, GE, GH, GM, HR, HU, ID, IL, IN, IS, JP, KE, KG, KP, KR, KZ, LC, LK, LR, LS, LT, LU, LV, MA, MD, MG, MK, MN, MW, MX, MZ, NA, NI, NO, NZ, OM, PG, PH, PL, PT, RO, RU, SC, SD, SE, SG, SK, SL, SY, TJ, TM, TN, TR, TT, TZ, UA, UG, US, UZ, VC, VN, YU, ZA, ZM, ZW.
- (84) Designated States (unless otherwise indicated, for every kind of regional protection available): ARIPO (BW, GH, GM, KE, LS, MW, MZ, NA, SD, SL, SZ, TZ, UG, ZM, ZW), Eurasian (AM, AZ, BY, KG, KZ, MD, RU, TJ, TM), European (AT, BE, BG, CH, CY, CZ, DE, DK, EE, ES, FI, FR, GB, GR, HU, IE, IT, LU, MC, NL, PL, PT, RO, SE, SI, SK, TR), OAPI (BF, BJ, CF, CG, CI, CM, GA, GN, GQ, GW, ML, MR, NE, SN, TD, TG).
- Published:
— with international search report
- (88) Date of publication of the international search report: 24 March 2005
- For two-letter codes and other abbreviations, refer to the "Guidance Notes on Codes and Abbreviations" appearing at the beginning of each regular issue of the PCT Gazette.

(54) Title: TUBULAR MEMBER AND METHOD FOR IDENTIFYING SAME



(57) Abstract: A tubular member such as drill pipe comprising a body and identification indicia characterised in that the identifying indicia comprises at least one circumferential band around the body for identifying the tubular member. Preferably, the at least one circumferential band comprises a metal which preferably is applied by hardbanding.

WO 2005/001795 A3

INTERNATIONAL SEARCH REPORT

Inter

Application No

PCT/GB2004/002605

A. CLASSIFICATION OF SUBJECT MATTER

IPC 7 G09F3/00 F16L15/08

According to International Patent Classification (IPC) or to both national classification and IPC

B. FIELDS SEARCHED

Minimum documentation searched (classification system followed by classification symbols)

IPC 7 G09F F16L

Documentation searched other than minimum documentation to the extent that such documents are included in the fields searched

Electronic data base consulted during the international search (name of data base and, where practical, search terms used)

EPO-Internal

C. DOCUMENTS CONSIDERED TO BE RELEVANT

Category °	Citation of document, with indication, where appropriate, of the relevant passages	Relevant to claim No.
X	CA 2 351 678 A (WAKER BRIAN D) 27 December 2002 (2002-12-27) page 3, lines 3-10; figure 3	1,2,4-8, 11,12
Y	-----	9,10,13
X	GB 541 951 A (THOMAS ROSS ARMSTRONG; BELL S ASBESTOS AND ENGINEERIN) 18 December 1941 (1941-12-18) column 2, lines 77-82; figure 1	1,2,4-7, 11,12
Y	-----	9,10,13
X	US 2001/040374 A1 (BREIHAN JAMES W) 15 November 2001 (2001-11-15) sentence 11, paragraph 24; figure 2	1,4-8, 11,12

 Further documents are listed in the continuation of box C. Patent family members are listed in annex.

° Special categories of cited documents :

- "A" document defining the general state of the art which is not considered to be of particular relevance
- "E" earlier document but published on or after the international filing date
- "L" document which may throw doubts on priority claim(s) or which is cited to establish the publication date of another citation or other special reason (as specified)
- "O" document referring to an oral disclosure, use, exhibition or other means
- "P" document published prior to the international filing date but later than the priority date claimed

- "T" later document published after the international filing date or priority date and not in conflict with the application but cited to understand the principle or theory underlying the invention
- "X" document of particular relevance; the claimed invention cannot be considered novel or cannot be considered to involve an inventive step when the document is taken alone
- "Y" document of particular relevance; the claimed invention cannot be considered to involve an inventive step when the document is combined with one or more other such documents, such combination being obvious to a person skilled in the art.
- "&" document member of the same patent family

Date of the actual completion of the international search

7 September 2004

Date of mailing of the international search report

15. 12. 2004

Name and mailing address of the ISA

European Patent Office, P.B. 5818 Patentlaan 2
NL - 2280 HV Rijswijk
Tel. (+31-70) 340-2040, Tx. 31 651 epo nl,
Fax: (+31-70) 340-3016

Authorized officer

Dauvergne, B

INTERNATIONAL SEARCH REPORT

International application No.
PCT/GB2004/002605

Box II Observations where certain claims were found unsearchable (Continuation of item 2 of first sheet)

This International Search Report has not been established in respect of certain claims under Article 17(2)(a) for the following reasons:

1. Claims Nos.:
because they relate to subject matter not required to be searched by this Authority, namely:

2. Claims Nos.:
because they relate to parts of the International Application that do not comply with the prescribed requirements to such an extent that no meaningful International Search can be carried out, specifically:

3. Claims Nos.:
because they are dependent claims and are not drafted in accordance with the second and third sentences of Rule 6.4(a).

Box III Observations where unity of invention is lacking (Continuation of item 3 of first sheet)

This International Searching Authority found multiple inventions in this international application, as follows:

see additional sheet

1. As all required additional search fees were timely paid by the applicant, this International Search Report covers all searchable claims.
2. As all searchable claims could be searched without effort justifying an additional fee, this Authority did not invite payment of any additional fee.
3. As only some of the required additional search fees were timely paid by the applicant, this International Search Report covers only those claims for which fees were paid, specifically claims Nos.:
4. No required additional search fees were timely paid by the applicant. Consequently, this International Search Report is restricted to the invention first mentioned in the claims; it is covered by claims Nos.:

1-13

Remark on Protest

- The additional search fees were accompanied by the applicant's protest.
- No protest accompanied the payment of additional search fees.

INTERNATIONAL SEARCH REPORT

International Application No. PCT/GB2004 /002605

FURTHER INFORMATION CONTINUED FROM PCT/ISA/ 210

This International Searching Authority found multiple (groups of) inventions in this international application, as follows:

1. claims: 1-13

A tubular body with an identifying band.

2. claims: 14-24

A method and an apparatus for reading the information contained in a band surrounding a tubular member

3. claims: 25-28

A tubular body with identifying slots.

4. claims: 29-32

A body with a bar code

5. claims: 33-36

A method for reading a bar code located on a tubular member.

INTERNATIONAL SEARCH REPORT

Information on patent family members

Inte	nal Application No
PCT/GB2004/002605	

Patent document cited in search report	A	Publication date	Patent family member(s)	Publication date
CA 2351678	A	27-12-2002	CA 2351678 A1	27-12-2002
GB 541951	A	18-12-1941	NONE	
US 2001040374	A1	15-11-2001	AU 4047200 A WO 0060266 A1	23-10-2000 12-10-2000