



US009712350B2

(12) **United States Patent**
Henry et al.

(10) **Patent No.:** **US 9,712,350 B2**

(45) **Date of Patent:** **Jul. 18, 2017**

(54) **TRANSMISSION DEVICE WITH CHANNEL EQUALIZATION AND CONTROL AND METHODS FOR USE THEREWITH**

(58) **Field of Classification Search**
CPC H04L 25/03891; H04W 72/0406; H04B 7/0413; H04B 3/54

See application file for complete search history.

(71) Applicant: **AT&T INTELLECTUAL PROPERTY I, LP**, Atlanta, GA (US)

(56) **References Cited**

U.S. PATENT DOCUMENTS

(72) Inventors: **Paul Shala Henry**, Holmdel, NJ (US); **Robert Bennett**, Southold, NY (US); **Irwin Gerszberg**, Kendall Park, NJ (US); **Farhad Barzegar**, Branchburg, NJ (US); **Donald J Barnickel**, Flemington, NJ (US); **Thomas M. Willis, III**, Tinton Falls, NJ (US)

529,290 A 11/1894 Harry et al.
1,721,785 A 7/1929 Myer
(Continued)

FOREIGN PATENT DOCUMENTS

AU 565039 B2 9/1987
AU 7261000 A 4/2001
(Continued)

(73) Assignee: **AT&T Intellectual Property I, L.P.**, Atlanta, GA (US)

OTHER PUBLICATIONS

(*) Notice: Subject to any disclaimer, the term of this patent is extended or adjusted under 35 U.S.C. 154(b) by 0 days.

International Search Report and Written Opinion in PCT/US2016/028417, mailed Jul. 5, 2016 13 pages, Authorized officer Brigitte Bettiol.

(Continued)

(21) Appl. No.: **15/095,029**

Primary Examiner — Vineeta Panwalkar

(22) Filed: **Apr. 9, 2016**

(74) *Attorney, Agent, or Firm* — Guntin & Gust, PLC; Ed Guntin

(65) **Prior Publication Data**

US 2016/0226681 A1 Aug. 4, 2016

(57) **ABSTRACT**

Related U.S. Application Data

(63) Continuation of application No. 14/548,429, filed on Nov. 20, 2014.

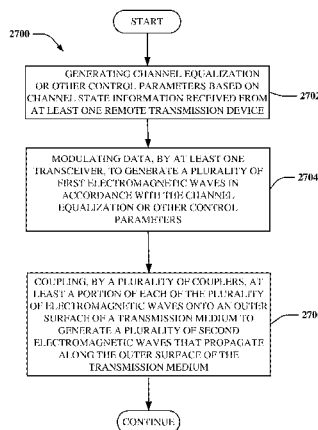
Aspects of the subject disclosure may include, for example, a transmission device that includes at least one transceiver configured to modulate data to generate a plurality of first electromagnetic waves in accordance with channel control parameters. A plurality of couplers are configured to couple at least a portion of the plurality of first electromagnetic waves to a transmission medium, wherein the plurality of couplers generate a plurality of second electromagnetic waves that propagate along the outer surface of the transmission medium. A training controller is configured to generate the channel control parameters based on channel state information received from at least one remote transmission device. Other embodiments are disclosed.

(51) **Int. Cl.**
H04L 25/03 (2006.01)
H04B 7/0413 (2017.01)

(Continued)

(52) **U.S. Cl.**
CPC **H04L 25/03891** (2013.01); **H04B 3/54** (2013.01); **H04B 7/0413** (2013.01); **H04W 72/0406** (2013.01)

20 Claims, 23 Drawing Sheets



- (51) **Int. Cl.**
H04B 3/54 (2006.01)
H04W 72/04 (2009.01)

(56) **References Cited**

U.S. PATENT DOCUMENTS

1,860,123 A 5/1932 Yagi
 2,129,711 A 9/1938 Southworth
 2,147,717 A 2/1939 Schelkunoff
 2,187,908 A 1/1940 McCreary
 2,199,083 A 4/1940 Schelkunoff
 2,232,179 A 2/1941 King
 2,283,935 A 5/1942 King
 2,398,095 A 4/1946 Katzin
 2,402,622 A 6/1946 Hansen
 2,407,068 A 9/1946 Fiske et al.
 2,407,069 A 9/1946 Fiske
 2,411,338 A 11/1946 Roberts
 2,415,089 A 2/1947 Feldman et al.
 2,415,807 A 2/1947 Barrow et al.
 2,420,007 A 5/1947 Olden
 2,422,058 A 6/1947 Whinnery
 2,432,134 A 12/1947 Bagnall
 2,461,005 A 2/1949 Southworth
 2,471,021 A 5/1949 Bradley
 2,488,400 A 11/1949 Harder
 2,513,205 A 6/1950 Roberts et al.
 2,514,679 A 7/1950 Southworth
 2,519,603 A 8/1950 Reber
 2,540,839 A 2/1951 Southworth
 2,542,980 A 2/1951 Barrow
 2,557,110 A 6/1951 Jaynes
 2,562,281 A 7/1951 Mumford
 2,596,190 A 5/1952 Wiley
 2,599,864 A 6/1952 Robertson-Shersby-Ha et al.
 2,659,817 A 11/1953 Cutler et al.
 2,677,055 A 4/1954 Allen
 2,685,068 A 7/1954 Goubau
 2,688,732 A 9/1954 Kock
 2,691,766 A 10/1954 Clapp
 2,706,279 A 4/1955 Aron
 2,711,514 A 6/1955 Rines
 2,723,378 A 11/1955 Clavier et al.
 2,727,232 A 12/1955 Pryga
 2,740,826 A 4/1956 Bondon
 2,745,101 A 5/1956 Marie
 2,748,350 A 5/1956 Miller et al.
 2,749,545 A 6/1956 Kostriza
 2,754,513 A 7/1956 Goubau
 2,761,137 A 8/1956 Atta
 2,769,147 A 10/1956 Black et al.
 2,794,959 A 6/1957 Fox
 2,805,415 A 9/1957 Berkowitz
 2,806,972 A 9/1957 Sensiper
 2,810,111 A 10/1957 Cohn
 2,819,451 A 1/1958 Sims et al.
 2,820,083 A 1/1958 Hendrix
 2,835,871 A 5/1958 Raabe
 2,867,776 A 1/1959 Wilkinson, Jr.
 2,912,695 A 11/1959 Cutler
 2,914,741 A 11/1959 Unger
 2,921,277 A 1/1960 Goubau
 2,925,458 A 2/1960 Lester et al.
 2,949,589 A 8/1960 Hafner
 2,960,670 A 11/1960 Marcatili et al.
 2,972,148 A 2/1961 Rupp et al.
 2,974,297 A 3/1961 Ros
 2,993,205 A 7/1961 Cooper et al.
 3,040,278 A 6/1962 Griemsmann et al.
 3,072,870 A 1/1963 Walker
 3,101,472 A 8/1963 Goubau
 3,109,175 A 10/1963 Lloyd
 3,129,356 A 4/1964 Phillips
 3,134,951 A 5/1964 Huber
 3,146,297 A 8/1964 Hahne
 3,146,453 A 8/1964 Hagaman

3,201,724 A 8/1965 Hafner
 3,218,384 A 11/1965 Shaw
 3,234,559 A 2/1966 Bartholoma
 3,255,454 A 6/1966 Walter et al.
 3,296,364 A 1/1967 Jefferson et al.
 3,296,685 A 1/1967 Menaham et al.
 3,316,344 A 4/1967 Toms et al.
 3,316,345 A 4/1967 Toms et al.
 3,321,763 A 5/1967 Ikrath et al.
 3,329,958 A 7/1967 Anderson et al.
 3,389,394 A 6/1968 Lewis et al.
 3,392,388 A 7/1968 Tsuneo et al.
 3,392,395 A 7/1968 Hannan
 3,411,112 A 11/1968 Honig et al.
 3,413,642 A 11/1968 Cook
 3,414,903 A 12/1968 Bartlett et al.
 3,420,596 A 1/1969 Osterberg
 3,427,573 A 2/1969 White et al.
 3,448,455 A 6/1969 Alfandari et al.
 3,459,873 A 8/1969 Harris et al.
 3,487,158 A 12/1969 Killian
 3,500,422 A 3/1970 Grady et al.
 3,509,463 A 4/1970 Woodward et al.
 3,522,560 A 8/1970 Hayany
 3,524,192 A 8/1970 Sakiotis et al.
 3,529,205 A 9/1970 Miller
 3,530,481 A 9/1970 Tanaka et al.
 3,531,803 A 9/1970 Hudspeth et al.
 3,555,553 A 1/1971 Boyns
 3,557,341 A 1/1971 Sochilin et al.
 3,588,754 A 6/1971 Hafner
 3,589,121 A 6/1971 Mulvey
 3,603,904 A 9/1971 Hafner
 3,609,247 A 9/1971 Halstead
 3,623,114 A 11/1971 Seaton
 3,668,459 A 6/1972 Symons et al.
 3,668,574 A 6/1972 Barlow
 3,672,202 A 6/1972 Barber et al.
 3,686,596 A 8/1972 Albee
 3,699,574 A 10/1972 Plunk et al.
 3,703,690 A 11/1972 Ravenscroft et al.
 3,725,937 A 4/1973 Schreiber
 3,772,528 A 11/1973 Anderson
 3,806,931 A 4/1974 Wright
 3,833,909 A 9/1974 Schaufelberger
 3,835,407 A 9/1974 Yariv et al.
 3,845,426 A 10/1974 Barlow
 3,896,380 A 7/1975 Martin
 3,935,577 A 1/1976 Hansen et al.
 3,936,838 A 2/1976 Foldes et al.
 3,959,794 A 5/1976 Chrepta et al.
 4,010,799 A 3/1977 Kern et al.
 4,020,431 A 4/1977 Saunders et al.
 4,026,632 A 5/1977 Hill et al.
 4,030,048 A 6/1977 Foldes et al.
 4,035,054 A 7/1977 Lattanzi et al.
 4,047,180 A 9/1977 Kuo et al.
 4,080,600 A 3/1978 Toman et al.
 4,123,759 A 10/1978 Hines et al.
 4,125,768 A 11/1978 Jackson et al.
 4,149,170 A 4/1979 Campbell et al.
 4,156,241 A 5/1979 Mobley et al.
 4,175,257 A 11/1979 Smith et al.
 4,188,595 A 2/1980 Cronson et al.
 4,190,137 A 2/1980 Shimada et al.
 4,195,302 A 3/1980 Leupelt et al.
 4,210,357 A 7/1980 Adachi et al.
 4,216,449 A 8/1980 Kach
 4,234,753 A 11/1980 Clutter
 4,238,974 A 12/1980 Fawcett
 4,246,584 A 1/1981 Noerpel et al.
 4,274,097 A 6/1981 Krall et al.
 4,278,955 A 7/1981 Lunden et al.
 4,293,833 A 10/1981 Popa et al.
 4,307,938 A 12/1981 Dyott
 4,316,646 A 2/1982 Siebens et al.
 4,319,074 A 3/1982 Yaste et al.
 4,329,690 A 5/1982 Parker et al.
 4,333,082 A 6/1982 Susman et al.

(56)

References Cited

U.S. PATENT DOCUMENTS

| | | | | | | | |
|-----------|---|---------|-----------------------|-----------|---|---------|----------------------|
| 4,336,719 | A | 6/1982 | Lynnworth | 5,006,846 | A | 4/1991 | Granville et al. |
| 4,345,256 | A | 8/1982 | Rainwater et al. | 5,015,914 | A | 5/1991 | Ives et al. |
| 4,366,565 | A | 12/1982 | Herskowitz | 5,017,936 | A | 5/1991 | Massey et al. |
| 4,367,446 | A | 1/1983 | Hall et al. | 5,017,937 | A | 5/1991 | Newham et al. |
| 4,378,143 | A | 3/1983 | Winzer | 5,019,832 | A | 5/1991 | Ekdahl et al. |
| 4,384,289 | A | 5/1983 | Fernandes et al. | 5,042,903 | A | 8/1991 | Jakubowski et al. |
| 4,398,058 | A | 8/1983 | Gerth et al. | 5,043,538 | A | 8/1991 | Hughey et al. |
| 4,398,121 | A | 8/1983 | Chodorow et al. | 5,043,629 | A | 8/1991 | Doane et al. |
| 4,447,811 | A | 5/1984 | Hamid | 5,044,722 | A | 9/1991 | Voser et al. |
| 4,463,329 | A | 7/1984 | Suzuki et al. | 5,045,820 | A | 9/1991 | Oehlerking et al. |
| 4,482,899 | A | 11/1984 | Dragone et al. | 5,072,228 | A | 12/1991 | Kuwahara et al. |
| 4,488,156 | A | 12/1984 | DuFort et al. | 5,082,349 | A | 1/1992 | Cordova-Plaza et al. |
| 4,491,386 | A | 1/1985 | Negishi et al. | 5,086,467 | A | 2/1992 | Malek |
| 4,525,432 | A | 6/1985 | Saito et al. | 5,107,231 | A | 4/1992 | Knox et al. |
| 4,525,693 | A | 6/1985 | Suzuki et al. | 5,109,232 | A | 4/1992 | Monte et al. |
| 4,533,875 | A | 8/1985 | Lau et al. | 5,117,237 | A | 5/1992 | Legg |
| 4,541,303 | A | 9/1985 | Kuzunishi | 5,126,750 | A | 6/1992 | Wang et al. |
| 4,550,271 | A | 10/1985 | Lau et al. | 5,132,968 | A | 7/1992 | Cephus |
| 4,553,112 | A | 11/1985 | Saad et al. | 5,134,251 | A | 7/1992 | Martin |
| 4,556,271 | A | 12/1985 | Hubbard | 5,134,965 | A | 8/1992 | Tokuda et al. |
| 4,558,325 | A | 12/1985 | Stroem et al. | 5,142,767 | A | 9/1992 | Adams et al. |
| 4,566,012 | A | 1/1986 | Choung et al. | 5,148,509 | A | 9/1992 | Kannabiran et al. |
| 4,567,401 | A | 1/1986 | Barnett et al. | 5,153,676 | A | 10/1992 | Bergh et al. |
| 4,573,215 | A | 2/1986 | Oates et al. | 5,166,698 | A | 11/1992 | Ashbaugh et al. |
| 4,589,424 | A | 5/1986 | Vaguine et al. | 5,174,164 | A | 12/1992 | Wilheim et al. |
| 4,598,262 | A | 7/1986 | Chen et al. | 5,182,427 | A | 1/1993 | McGaffigan et al. |
| 4,604,627 | A | 8/1986 | Saad et al. | 5,187,409 | A | 2/1993 | Ito et al. |
| 4,636,753 | A | 1/1987 | Geller et al. | 5,198,823 | A | 3/1993 | Litchford et al. |
| 4,641,916 | A | 2/1987 | Oestreich et al. | 5,212,755 | A | 5/1993 | Holmberg et al. |
| 4,660,050 | A | 4/1987 | Phillips et al. | 5,214,394 | A | 5/1993 | Wong et al. |
| 4,665,660 | A | 5/1987 | Krall et al. | 5,235,662 | A | 8/1993 | Prince et al. |
| 4,680,558 | A | 7/1987 | Ghosh et al. | 5,248,876 | A | 9/1993 | Kerstens et al. |
| 4,694,599 | A | 9/1987 | Hart et al. | 5,254,809 | A | 10/1993 | Martin |
| 4,704,611 | A | 11/1987 | Edwards et al. | 5,265,266 | A | 11/1993 | Trinh |
| 4,715,695 | A | 12/1987 | Nishimura et al. | 5,266,961 | A | 11/1993 | Milroy et al. |
| 4,717,974 | A | 1/1988 | Baumeister et al. | 5,276,455 | A | 1/1994 | Fitzsimmons et al. |
| 4,730,172 | A | 3/1988 | Bengeult | 5,278,687 | A | 1/1994 | Jansson et al. |
| 4,730,888 | A | 3/1988 | Darcie et al. | 5,291,211 | A | 3/1994 | Tropper et al. |
| 4,731,810 | A | 3/1988 | Watkins | 5,304,999 | A | 4/1994 | Roberts et al. |
| 4,735,097 | A | 4/1988 | Lynnworth et al. | 5,311,596 | A | 5/1994 | Scott et al. |
| 4,743,916 | A | 5/1988 | Bengeult | 5,329,285 | A | 7/1994 | McCandless et al. |
| 4,745,377 | A | 5/1988 | Stern et al. | 5,341,088 | A | 8/1994 | David |
| 4,746,241 | A | 5/1988 | Burbank, III et al. | 5,345,522 | A | 9/1994 | Vali et al. |
| 4,749,244 | A | 6/1988 | Luh | 5,371,623 | A | 12/1994 | Eastmond et al. |
| 4,758,962 | A | 7/1988 | Fernandes | 5,380,224 | A | 1/1995 | DiCicco |
| 4,764,738 | A | 8/1988 | Fried | 5,389,442 | A | 2/1995 | Kathiresan et al. |
| 4,772,891 | A | 9/1988 | Svy | 5,410,318 | A | 4/1995 | Wong et al. |
| 4,777,457 | A | 10/1988 | Ghosh et al. | 5,412,654 | A | 5/1995 | Perkins |
| 4,786,913 | A | 11/1988 | Barendregt et al. | 5,428,818 | A | 6/1995 | Meidan et al. |
| 4,788,553 | A | 11/1988 | Phillips et al. | 5,434,575 | A | 7/1995 | Jelinek et al. |
| 4,792,771 | A | 12/1988 | Siu et al. | 5,440,660 | A | 8/1995 | Dombrowski et al. |
| 4,792,812 | A | 12/1988 | Rinehart et al. | 5,479,176 | A | 12/1995 | Zavrel et al. |
| 4,799,031 | A | 1/1989 | Lang et al. | 5,481,268 | A | 1/1996 | Higgins |
| 4,801,937 | A | 1/1989 | Fernandes | 5,482,525 | A | 1/1996 | Kajioaka et al. |
| 4,818,963 | A | 4/1989 | Green et al. | 5,486,839 | A | 1/1996 | Rodeffer et al. |
| 4,818,990 | A | 4/1989 | Fernandes | 5,488,380 | A | 1/1996 | Harvey et al. |
| 4,829,310 | A | 5/1989 | Losee et al. | 5,495,546 | A | 2/1996 | Bottoms et al. |
| 4,829,314 | A | 5/1989 | Barbier et al. | 5,499,308 | A | 3/1996 | Arai et al. |
| 4,831,346 | A | 5/1989 | Brooker et al. | 5,499,311 | A | 3/1996 | DeCusatis et al. |
| 4,832,148 | A | 5/1989 | Becker et al. | 5,512,906 | A | 4/1996 | Speciale et al. |
| 4,835,517 | A | 5/1989 | van der Gracht et al. | 5,513,176 | A | 4/1996 | Dean et al. |
| 4,845,508 | A | 7/1989 | Krall et al. | 5,515,059 | A | 5/1996 | How et al. |
| 4,849,611 | A | 7/1989 | Whitney et al. | 5,528,208 | A | 6/1996 | Kobayashi et al. |
| 4,851,788 | A | 7/1989 | Ives et al. | 5,543,000 | A | 8/1996 | Lique |
| 4,873,534 | A | 10/1989 | Wohlleben et al. | 5,559,359 | A | 9/1996 | Reyes |
| 4,879,544 | A | 11/1989 | Maki et al. | 5,566,022 | A | 10/1996 | Segev |
| 4,881,028 | A | 11/1989 | Bright et al. | 5,566,196 | A | 10/1996 | Scifres |
| 4,886,980 | A | 12/1989 | Fernandes et al. | 5,592,183 | A | 1/1997 | Henf |
| 4,897,663 | A | 1/1990 | Kusano et al. | 5,603,089 | A | 2/1997 | Searle et al. |
| 4,904,996 | A | 2/1990 | Fernandes | 5,619,015 | A | 4/1997 | Kirma |
| 4,915,468 | A | 4/1990 | Kim et al. | 5,630,223 | A | 5/1997 | Bahu et al. |
| 4,929,962 | A | 5/1990 | Begout et al. | 5,637,521 | A | 6/1997 | Rhodes et al. |
| 4,931,808 | A | 6/1990 | Munson et al. | 5,640,168 | A | 6/1997 | Heger et al. |
| 4,946,202 | A | 8/1990 | Perricone et al. | 5,650,788 | A | 7/1997 | Jha |
| 4,977,618 | A | 12/1990 | Allen | 5,652,554 | A | 7/1997 | Krieg et al. |
| | | | | 5,671,304 | A | 9/1997 | Duguay |
| | | | | 5,677,909 | A | 10/1997 | Heide |
| | | | | 5,684,495 | A | 11/1997 | Dyott et al. |
| | | | | 5,724,168 | A | 3/1998 | Oschmann et al. |

(56)

References Cited

U.S. PATENT DOCUMENTS

| | | | | | | | |
|-----------|----|---------|-----------------------|-----------|----|---------|-----------------------|
| 5,726,980 | A | 3/1998 | Rickard et al. | 6,266,016 | B1 | 7/2001 | Bergstedt et al. |
| 5,757,323 | A | 5/1998 | Spencer et al. | 6,266,025 | B1 | 7/2001 | Popa et al. |
| 5,769,879 | A | 6/1998 | Levay et al. | 6,271,790 | B2 | 8/2001 | Smith et al. |
| 5,784,033 | A | 7/1998 | Boldissar, Jr. et al. | 6,271,952 | B1 | 8/2001 | Epworth et al. |
| 5,784,683 | A | 7/1998 | Sistanizadeh et al. | 6,278,357 | B1 | 8/2001 | Croushore et al. |
| 5,793,334 | A | 8/1998 | Harrison et al. | 6,281,855 | B1 | 8/2001 | Aoki et al. |
| 5,805,983 | A | 9/1998 | Naidu et al. | 6,282,354 | B1 | 8/2001 | Jones et al. |
| 5,818,396 | A | 10/1998 | Harrison et al. | 6,292,139 | B1 | 9/2001 | Yamamoto et al. |
| 5,818,512 | A | 10/1998 | Fuller | 6,292,143 | B1 | 9/2001 | Romanofsky et al. |
| 5,848,054 | A | 12/1998 | Mosebrook et al. | 6,301,420 | B1 | 10/2001 | Greenaway et al. |
| 5,850,199 | A | 12/1998 | Wan et al. | 6,323,819 | B1 | 11/2001 | Ergene et al. |
| 5,854,608 | A | 12/1998 | Leisten | 6,329,959 | B1 | 12/2001 | Varadan et al. |
| 5,861,843 | A | 1/1999 | Sorace et al. | 6,348,683 | B1 | 2/2002 | Verghese et al. |
| 5,867,763 | A | 2/1999 | Dean et al. | 6,351,247 | B1 | 2/2002 | Linstrom et al. |
| 5,870,060 | A | 2/1999 | Chen et al. | 6,362,789 | B1 | 3/2002 | Trumbull et al. |
| 5,873,324 | A | 2/1999 | Kaddas et al. | 6,366,238 | B1 | 4/2002 | DeMore et al. |
| 5,890,055 | A | 3/1999 | Chu et al. | 6,396,440 | B1 | 5/2002 | Chen et al. |
| 5,898,133 | A | 4/1999 | Bleich et al. | 6,404,773 | B1 | 6/2002 | Williams et al. |
| 5,898,830 | A | 4/1999 | Wesinger, Jr. et al. | 6,421,021 | B1 | 7/2002 | Rupp et al. |
| 5,900,847 | A | 5/1999 | Ishikawa et al. | 6,433,736 | B1 | 8/2002 | Timothy et al. |
| 5,903,373 | A | 5/1999 | Welch et al. | 6,433,741 | B2 | 8/2002 | Tanizaki et al. |
| 5,905,949 | A | 5/1999 | Hawkes et al. | 6,436,536 | B2 | 8/2002 | Peruzzotti et al. |
| 5,917,977 | A | 6/1999 | Barrett et al. | 6,445,774 | B1 | 9/2002 | Kidder et al. |
| 5,926,128 | A | 7/1999 | Brash et al. | 6,452,467 | B1 | 9/2002 | McEwan |
| 5,936,589 | A | 8/1999 | Kawahata | 6,452,923 | B1 | 9/2002 | Gerszberg et al. |
| 5,948,044 | A | 9/1999 | Varley et al. | 6,455,769 | B1 | 9/2002 | Belli et al. |
| 5,952,964 | A | 9/1999 | Chan et al. | 6,456,251 | B1 | 9/2002 | Rao et al. |
| 5,952,972 | A | 9/1999 | Ittipiboon et al. | 6,462,700 | B1 | 10/2002 | Schmidt et al. |
| 5,952,984 | A | 9/1999 | Kuramoto et al. | 6,463,295 | B1 | 10/2002 | Yun et al. |
| 5,977,650 | A | 11/1999 | Rickard et al. | 6,469,676 | B1 | 10/2002 | Fehrenbach et al. |
| 5,982,276 | A | 11/1999 | Stewart | 6,483,470 | B1 | 11/2002 | Hohnstein et al. |
| 5,986,331 | A | 11/1999 | Letavic et al. | 6,489,928 | B2 | 12/2002 | Sakurada |
| 5,994,984 | A | 11/1999 | Stancil et al. | 6,501,433 | B2 | 12/2002 | Popa et al. |
| 5,994,998 | A | 11/1999 | Fisher et al. | 6,507,573 | B1 | 1/2003 | Brandt et al. |
| 6,005,758 | A | 12/1999 | Spencer et al. | 6,510,152 | B1 | 1/2003 | Gerszberg et al. |
| 6,011,520 | A | 1/2000 | Howell et al. | 6,515,635 | B2 | 2/2003 | Chiang et al. |
| 6,011,524 | A | 1/2000 | Jervis et al. | 6,522,305 | B2 | 2/2003 | Sharman et al. |
| 6,014,110 | A | 1/2000 | Bridges et al. | 6,531,991 | B2 | 3/2003 | Adachi et al. |
| 6,023,619 | A | 2/2000 | Kaminsky | 6,542,739 | B1 | 4/2003 | Garner |
| 6,026,173 | A | 2/2000 | Svenson et al. | 6,549,106 | B2 | 4/2003 | Martin et al. |
| 6,026,208 | A | 2/2000 | Will et al. | 6,549,173 | B1 | 4/2003 | King et al. |
| 6,026,331 | A | 2/2000 | Feldberg et al. | 6,552,693 | B1 | 4/2003 | Leisten et al. |
| 6,037,894 | A | 3/2000 | Pfizenmaier et al. | 6,563,981 | B2 | 5/2003 | Weisberg et al. |
| 6,038,425 | A | 3/2000 | Jeffrey et al. | 6,567,573 | B1 | 5/2003 | Domash et al. |
| 6,049,647 | A | 4/2000 | Register et al. | 6,573,813 | B1 | 6/2003 | Joannopoulos et al. |
| 6,063,234 | A | 5/2000 | Chen et al. | 6,580,295 | B2 | 6/2003 | Takekuma et al. |
| 6,078,297 | A | 6/2000 | Kormanyos et al. | 6,584,084 | B1 | 6/2003 | Barany et al. |
| 6,088,001 | A | 7/2000 | Burger et al. | 6,584,252 | B1 | 6/2003 | Schier et al. |
| 6,100,846 | A | 8/2000 | Li et al. | 6,587,077 | B2 | 7/2003 | Vail et al. |
| 6,103,031 | A | 8/2000 | Aeschbacher et al. | 6,596,944 | B1 | 7/2003 | Clark et al. |
| 6,107,897 | A | 8/2000 | Hewett et al. | 6,606,066 | B1 | 8/2003 | Fawcett et al. |
| 6,114,998 | A | 9/2000 | Scheffe et al. | 6,606,077 | B2 | 8/2003 | Ebling et al. |
| 6,140,911 | A | 10/2000 | Fisher et al. | 6,631,229 | B1 | 10/2003 | Norris et al. |
| 6,140,976 | A | 10/2000 | Locke et al. | 6,639,566 | B2 | 10/2003 | Knop et al. |
| 6,146,330 | A | 11/2000 | Tujino et al. | 6,650,296 | B2 | 11/2003 | Wong et al. |
| 6,150,612 | A | 11/2000 | Grandy et al. | 6,653,598 | B2 | 11/2003 | Sullivan et al. |
| 6,151,145 | A | 11/2000 | Srivastava et al. | 6,659,655 | B2 | 12/2003 | Dair et al. |
| 6,154,488 | A | 11/2000 | Hunt | 6,671,824 | B1 | 12/2003 | Hyland et al. |
| 6,158,383 | A | 12/2000 | Watanabe et al. | 6,677,899 | B1 | 1/2004 | Lee et al. |
| 6,166,694 | A | 12/2000 | Ying et al. | 6,683,580 | B2 | 1/2004 | Kuramoto |
| 6,167,055 | A | 12/2000 | Ganek et al. | 6,686,832 | B2 | 2/2004 | Abraham et al. |
| 6,184,828 | B1 | 2/2001 | Shoki et al. | 6,686,873 | B2 | 2/2004 | Patel et al. |
| 6,195,058 | B1 | 2/2001 | Nakamura et al. | 6,686,875 | B1 | 2/2004 | Wolfson et al. |
| 6,195,395 | B1 | 2/2001 | Frodsham et al. | 6,697,030 | B2 | 2/2004 | Gleener |
| 6,208,161 | B1 | 3/2001 | Suda et al. | 6,703,981 | B2 | 3/2004 | Meitzler et al. |
| 6,208,903 | B1 | 3/2001 | Richards et al. | 6,714,165 | B2 | 3/2004 | Verstraeten |
| 6,211,836 | B1 | 4/2001 | Manasson et al. | 6,725,035 | B2 | 4/2004 | Jochim et al. |
| 6,211,837 | B1 | 4/2001 | Crouch et al. | 6,727,470 | B2 | 4/2004 | Reichle et al. |
| 6,222,503 | B1 | 4/2001 | Gietema et al. | 6,728,439 | B2 | 4/2004 | Weisberg et al. |
| 6,225,960 | B1 | 5/2001 | Collins et al. | 6,731,649 | B1 | 5/2004 | Silverman |
| 6,229,327 | B1 | 5/2001 | Boll et al. | 6,741,705 | B1 | 5/2004 | Nelson et al. |
| 6,239,377 | B1 | 5/2001 | Nishikawa et al. | 6,750,827 | B2 | 6/2004 | Manasson et al. |
| 6,239,379 | B1 | 5/2001 | Cotter et al. | 6,756,538 | B1 | 6/2004 | Murga-Gonzalez et al. |
| 6,246,821 | B1 | 6/2001 | Hemken et al. | 6,765,479 | B2 | 7/2004 | Stewart et al. |
| 6,259,337 | B1 | 7/2001 | Wen et al. | 6,768,456 | B1 | 7/2004 | Lalezari et al. |
| | | | | 6,768,471 | B2 | 7/2004 | Bostwick et al. |
| | | | | 6,768,474 | B2 | 7/2004 | Hunt et al. |
| | | | | 6,771,216 | B2 | 8/2004 | Patel et al. |
| | | | | 6,771,225 | B2 | 8/2004 | Tits et al. |

(56)

References Cited

U.S. PATENT DOCUMENTS

| | | | | | | | |
|-----------|----|---------|--------------------|-----------|----|---------|---------------------------|
| 6,771,739 | B1 | 8/2004 | Beamon et al. | 7,123,801 | B2 | 10/2006 | Fitz et al. |
| 6,788,865 | B2 | 9/2004 | Kawanishi et al. | 7,126,711 | B2 | 10/2006 | Fruth et al. |
| 6,788,951 | B2 | 9/2004 | Aoki et al. | 7,130,516 | B2 | 10/2006 | Wu et al. |
| 6,789,119 | B1 | 9/2004 | Zhu et al. | 7,132,950 | B2 | 11/2006 | Stewart et al. |
| 6,812,895 | B2 | 11/2004 | Anderson et al. | 7,133,930 | B2 | 11/2006 | Sabio et al. |
| 6,822,615 | B2 | 11/2004 | Quan et al. | 7,134,012 | B2 | 11/2006 | Doyle et al. |
| 6,839,846 | B2 | 1/2005 | Mangold et al. | 7,134,135 | B2 | 11/2006 | Cerami et al. |
| 6,842,157 | B2 | 1/2005 | Phelan et al. | 7,136,397 | B2 | 11/2006 | Sharma et al. |
| 6,842,430 | B1 | 1/2005 | Melnik et al. | 7,137,605 | B1 | 11/2006 | Guertler et al. |
| 6,850,128 | B2 | 2/2005 | Park | 7,138,767 | B2 | 11/2006 | Chen et al. |
| 6,859,185 | B2 | 2/2005 | Royalty et al. | 7,145,440 | B2 | 12/2006 | Gerszberg et al. |
| 6,859,187 | B2 | 2/2005 | Ohlsson et al. | 7,151,497 | B2 | 12/2006 | Crystal et al. |
| 6,859,590 | B1 | 2/2005 | Zaccone | 7,161,934 | B2 | 1/2007 | Buchsbaum et al. |
| 6,867,744 | B2 | 3/2005 | Toncich et al. | 7,167,139 | B2 | 1/2007 | Kim et al. |
| 6,868,258 | B2 | 3/2005 | Hayata et al. | 7,171,087 | B2 | 1/2007 | Takahashi et al. |
| 6,870,465 | B1 | 3/2005 | Song et al. | 7,171,493 | B2 | 1/2007 | Shu et al. |
| 6,885,674 | B2 | 4/2005 | Hunt et al. | 7,176,589 | B2 | 2/2007 | Rouquette et al. |
| 6,886,065 | B2 | 4/2005 | Sides et al. | 7,180,459 | B2 | 2/2007 | Damini et al. |
| 6,888,623 | B2 | 5/2005 | Clements | 7,180,467 | B2 | 2/2007 | Fabrega-Sanchez |
| 6,901,064 | B2 | 5/2005 | Billhartz et al. | 7,183,991 | B2 | 2/2007 | Bhattacharyya et al. |
| 6,904,218 | B2 | 6/2005 | Sun et al. | 7,194,528 | B1 | 3/2007 | Davidow et al. |
| 6,906,676 | B2 | 6/2005 | Killen et al. | 7,199,680 | B2 | 4/2007 | Fukunaga et al. |
| 6,906,681 | B2 | 6/2005 | Hoppenstein et al. | 7,200,391 | B2 | 4/2007 | Chung et al. |
| 6,909,893 | B2 | 6/2005 | Aoki et al. | 7,200,658 | B2 | 4/2007 | Goeller et al. |
| 6,917,974 | B1 | 7/2005 | Stytz et al. | 7,205,950 | B2 | 4/2007 | Imai et al. |
| 6,920,289 | B2 | 7/2005 | Zimmerman et al. | 7,212,163 | B2 | 5/2007 | Huang et a |
| 6,922,135 | B2 | 7/2005 | Abraham et al. | 7,215,220 | B1 | 5/2007 | Jia et al. |
| 6,934,655 | B2 | 8/2005 | Jones et al. | 7,215,928 | B2 | 5/2007 | Gage et al. |
| 6,937,595 | B2 | 8/2005 | Barzegar et al. | 7,218,285 | B2 | 5/2007 | Davis et al. |
| 6,943,553 | B2 | 9/2005 | Zimmermann et al. | 7,224,170 | B2 | 5/2007 | Graham et al. |
| 6,944,555 | B2 | 9/2005 | Blackett et al. | 7,224,243 | B2 | 5/2007 | Cope et al. |
| 6,947,635 | B2 | 9/2005 | Kohns et al. | 7,224,272 | B2 | 5/2007 | White, II et al. |
| 6,950,567 | B2 | 9/2005 | Kline et al. | 7,224,320 | B2 | 5/2007 | Cook et al. |
| 6,958,729 | B1 | 10/2005 | Metz et al. | 7,228,123 | B2 | 6/2007 | Moursund et al. |
| 6,965,302 | B2 | 11/2005 | Mollenkopf et al. | 7,234,413 | B2 | 6/2007 | Suzuki et al. |
| 6,965,355 | B1 | 11/2005 | Durham et al. | 7,234,895 | B2 | 6/2007 | Richardson et al. |
| 6,970,502 | B2 | 11/2005 | Kim et al. | 7,239,284 | B1 | 7/2007 | Staal et al. |
| 6,972,729 | B2 | 12/2005 | Wang et al. | 7,243,610 | B2 | 7/2007 | Ishii et al. |
| 6,980,091 | B2 | 12/2005 | White, II et al. | 7,248,148 | B2 | 7/2007 | Kline et al. |
| 6,982,611 | B2 | 1/2006 | Cope et al. | 7,260,424 | B2 | 8/2007 | Schmidt |
| 6,982,679 | B2 | 1/2006 | Kralovec et al. | 7,266,154 | B2 | 9/2007 | Gundrum et al. |
| 6,983,174 | B2 | 1/2006 | Hoppenstein et al. | 7,266,275 | B2 | 9/2007 | Hansen et al. |
| 6,985,118 | B2 | 1/2006 | Killen et al. | 7,272,281 | B2 | 9/2007 | Stahulak et al. |
| 6,992,639 | B1 | 1/2006 | Lier et al. | 7,272,362 | B2 | 9/2007 | Jeong et al. |
| 6,999,667 | B2 | 2/2006 | Jang et al. | 7,274,305 | B1 | 9/2007 | Luttrell |
| 7,008,120 | B2 | 3/2006 | Zaborsky et al. | 7,276,990 | B2 | 10/2007 | Sievenpiper et al. |
| 7,009,471 | B2 | 3/2006 | Elmore | 7,280,033 | B2 | 10/2007 | Berkman et al. |
| 7,012,489 | B2 | 3/2006 | Fisher et al. | 7,289,704 | B1 | 10/2007 | Wagman et al. |
| 7,012,572 | B1 | 3/2006 | Schaffner et al. | 7,297,869 | B2 | 11/2007 | Hiller et al. |
| 7,016,585 | B2 | 3/2006 | Diggle, III et al. | 7,307,596 | B1 | 12/2007 | West et al. |
| 7,019,704 | B2 | 3/2006 | Weiss et al. | 7,308,370 | B2 | 12/2007 | Mason, Jr. et al. |
| 7,023,400 | B2 | 4/2006 | Hill et al. | 7,310,335 | B1 | 12/2007 | Garcia-Luna-Aceves et al. |
| 7,027,003 | B2 | 4/2006 | Sasaki et al. | 7,311,605 | B2 | 12/2007 | Moser |
| 7,032,016 | B2 | 4/2006 | Cerami et al. | 7,312,686 | B2 | 12/2007 | Bruno |
| 7,039,048 | B1 | 5/2006 | Monta et al. | 7,313,312 | B2 | 12/2007 | Kimball et al. |
| 7,042,403 | B2 | 5/2006 | Sievenpiper et al. | 7,315,678 | B2 | 1/2008 | Siegel |
| 7,042,416 | B2 | 5/2006 | Kingsley et al. | 7,318,564 | B1 | 1/2008 | Marshall et al. |
| 7,042,420 | B2 | 5/2006 | Ebling et al. | 7,319,717 | B2 | 1/2008 | Zitting et al. |
| 7,054,286 | B2 | 5/2006 | Ertel et al. | 7,321,291 | B2 | 1/2008 | Gidge et al. |
| 7,054,376 | B1 | 5/2006 | Rubinstain et al. | 7,321,707 | B2 | 1/2008 | Noda et al. |
| 7,054,513 | B2 | 5/2006 | Herz et al. | 7,324,046 | B1 | 1/2008 | Wu et al. |
| 7,055,148 | B2 | 5/2006 | Marsh et al. | 7,329,815 | B2 | 2/2008 | Johnston et al. |
| 7,061,370 | B2 | 6/2006 | Cern et al. | 7,333,064 | B1 | 2/2008 | Timothy et al. |
| 7,068,998 | B2 | 6/2006 | Zavidniak et al. | 7,333,593 | B2 | 2/2008 | Beamon et al. |
| 7,075,496 | B2 | 7/2006 | Hidai et al. | 7,339,466 | B2 | 3/2008 | Mansfield et al. |
| 7,082,321 | B2 | 7/2006 | Kuwahara et al. | 7,339,897 | B2 | 3/2008 | Larsson et al. |
| 7,098,405 | B2 | 8/2006 | Glew et al. | 7,340,768 | B2 | 3/2008 | Rosenberger et al. |
| 7,098,773 | B2 | 8/2006 | Berkman et al. | 7,345,623 | B2 | 3/2008 | McEwan et al. |
| 7,102,581 | B1 | 9/2006 | West et al. | 7,346,244 | B2 | 3/2008 | Gowan et al. |
| 7,106,265 | B2 | 9/2006 | Robertson et al. | 7,346,359 | B2 | 3/2008 | Damarla et al. |
| 7,113,002 | B2 | 9/2006 | Otsuka et al. | 7,355,560 | B2 | 4/2008 | Nagai et al. |
| 7,113,134 | B1 | 9/2006 | Berkman et al. | 7,358,808 | B2 | 4/2008 | Berkman et al. |
| 7,119,755 | B2 | 10/2006 | Harvey et al. | 7,369,085 | B1 | 5/2008 | Jacomb-Hood et al. |
| 7,120,345 | B2 | 10/2006 | Naitou et al. | 7,380,272 | B2 | 5/2008 | Sharp et al. |
| 7,122,012 | B2 | 10/2006 | Bouton et al. | 7,381,089 | B2 | 6/2008 | Hosler, Sr. |
| | | | | 7,383,577 | B2 | 6/2008 | Hrastar et al. |
| | | | | 7,388,450 | B2 | 6/2008 | Camiade et al. |
| | | | | 7,397,422 | B2 | 7/2008 | Tekawy et al. |
| | | | | 7,398,946 | B1 | 7/2008 | Marshall |

(56)

References Cited

U.S. PATENT DOCUMENTS

| | | | | | | | |
|-----------|----|---------|-------------------------|-----------|----|---------|-------------------|
| 7,406,337 | B2 | 7/2008 | Kim et al. | 7,671,701 | B2 | 3/2010 | Radtke |
| 7,408,426 | B2 | 8/2008 | Broyde et al. | 7,671,820 | B2 | 3/2010 | Tokoro et al. |
| 7,408,923 | B1 | 8/2008 | Khan et al. | 7,676,679 | B2 | 3/2010 | Weis et al. |
| 7,417,587 | B2 | 8/2008 | Iskander et al. | 7,680,478 | B2 | 3/2010 | Willars et al. |
| 7,418,178 | B2 | 8/2008 | Kudou et al. | 7,680,516 | B2 | 3/2010 | Lovberg et al. |
| 7,420,474 | B1 | 9/2008 | Elks et al. | 7,680,561 | B2 | 3/2010 | Rodgers et al. |
| 7,426,554 | B2 | 9/2008 | Kennedy et al. | 7,683,848 | B2 | 3/2010 | Musch et al. |
| 7,430,257 | B1 | 9/2008 | Shattil et al. | 7,684,383 | B1 | 3/2010 | Thompson et al. |
| 7,430,932 | B2 | 10/2008 | Mekhanoshin et al. | 7,693,079 | B2 | 4/2010 | Cerami et al. |
| 7,443,334 | B2 | 10/2008 | Rees et al. | 7,693,162 | B2 | 4/2010 | McKenna et al. |
| 7,444,404 | B2 | 10/2008 | Wetherall et al. | 7,693,939 | B2 | 4/2010 | Wu et al. |
| 7,446,567 | B2 | 11/2008 | Otsuka et al. | 7,701,931 | B2 | 4/2010 | Kajiwara |
| 7,450,001 | B2 | 11/2008 | Berkman | 7,705,747 | B2 | 4/2010 | Twitchell, Jr. |
| 7,453,352 | B2 | 11/2008 | Kline et al. | 7,714,536 | B1 | 5/2010 | Silberg et al. |
| 7,453,393 | B2 | 11/2008 | Duivendoorden et al. | 7,715,672 | B2 | 5/2010 | Dong et al. |
| 7,456,650 | B2 | 11/2008 | Lee et al. | 7,716,660 | B2 | 5/2010 | Mackay et al. |
| 7,459,834 | B2 | 12/2008 | Knowles et al. | 7,724,782 | B2 | 5/2010 | Wang et al. |
| 7,463,877 | B2 | 12/2008 | Iwamura | 7,728,772 | B2 | 6/2010 | Mortazawi et al. |
| 7,465,879 | B2 | 12/2008 | Glew et al. | 7,733,094 | B2 | 6/2010 | Bright et al. |
| 7,466,225 | B2 | 12/2008 | White, II et al. | 7,734,717 | B2 | 6/2010 | Saarimäki et al. |
| 7,468,657 | B2 | 12/2008 | Yaney | 7,743,403 | B2 | 6/2010 | McCarty et al. |
| 7,479,841 | B2 | 1/2009 | Stenger et al. | 7,747,356 | B2 | 6/2010 | Andarawis et al. |
| 7,492,317 | B2 | 2/2009 | Tinsley et al. | 7,747,774 | B2 | 6/2010 | Aaron et al. |
| 7,496,674 | B2 | 2/2009 | Jorgensen et al. | RE41,447 | E | 7/2010 | Pang et al. |
| 7,508,834 | B2 | 3/2009 | Berkman et al. | 7,750,244 | B1 | 7/2010 | Melding et al. |
| 7,509,009 | B2 | 3/2009 | Suzuki et al. | 7,750,763 | B2 | 7/2010 | Praßmayer et al. |
| 7,509,675 | B2 | 3/2009 | Aaron et al. | 7,760,978 | B2 | 7/2010 | Fishteyn et al. |
| 7,512,090 | B2 | 3/2009 | Benitez Pelaez et al. | 7,761,079 | B2 | 7/2010 | Mollenkopf et al. |
| 7,516,487 | B1 | 4/2009 | Szeto et al. | 7,764,943 | B2 | 7/2010 | Radtke et al. |
| 7,518,529 | B2 | 4/2009 | O'Sullivan et al. | 7,773,664 | B2 | 8/2010 | Myers et al. |
| 7,518,952 | B1 | 4/2009 | Padden et al. | 7,782,156 | B2 | 8/2010 | Woods et al. |
| 7,519,323 | B2 | 4/2009 | Mohebbi et al. | 7,783,195 | B2 | 8/2010 | Riggsby et al. |
| 7,522,115 | B2 | 4/2009 | Waltman et al. | 7,786,894 | B2 | 8/2010 | Polk et al. |
| 7,522,812 | B2 | 4/2009 | Zitting | 7,786,945 | B2 | 8/2010 | Baldauf et al. |
| 7,525,501 | B2 | 4/2009 | Black et al. | 7,786,946 | B2 | 8/2010 | Diaz et al. |
| 7,531,803 | B2 | 5/2009 | Mittleman et al. | 7,791,549 | B2 | 9/2010 | Clymer et al. |
| 7,532,792 | B2 | 5/2009 | Skovgaard et al. | 7,795,877 | B2 | 9/2010 | Radtke et al. |
| 7,539,381 | B2 | 5/2009 | Li et al. | 7,795,994 | B2 | 9/2010 | Radtke et al. |
| 7,545,818 | B2 | 6/2009 | Chen et al. | 7,796,025 | B2 | 9/2010 | Berkman et al. |
| 7,546,214 | B2 | 6/2009 | Rivers, Jr. et al. | 7,796,890 | B1 | 9/2010 | Johnson |
| 7,554,998 | B2 | 6/2009 | Simonsson et al. | 7,805,029 | B2 | 9/2010 | Bayindir et al. |
| 7,555,182 | B2 | 6/2009 | Martin et al. | 7,808,441 | B2 | 10/2010 | Parsche et al. |
| 7,555,186 | B2 | 6/2009 | De Montmorillon et al. | 7,809,223 | B2 | 10/2010 | Miyabe et al. |
| 7,555,187 | B2 | 6/2009 | Bickham et al. | 7,812,686 | B2 | 10/2010 | Woods et al. |
| 7,557,563 | B2 | 7/2009 | Cowan et al. | 7,812,778 | B2 | 10/2010 | Hasegawa et al. |
| 7,561,025 | B2 | 7/2009 | Gerszberg et al. | 7,813,344 | B2 | 10/2010 | Cheswick |
| 7,567,154 | B2 | 7/2009 | Elmore | 7,825,793 | B1 | 11/2010 | Spillman et al. |
| 7,567,740 | B2 | 7/2009 | Bayindir et al. | 7,826,602 | B1 | 11/2010 | Hunyady et al. |
| 7,570,137 | B2 | 8/2009 | Kintis et al. | 7,827,610 | B2 | 11/2010 | Wang et al. |
| 7,570,470 | B2 | 8/2009 | Holley | 7,830,228 | B2 | 11/2010 | Evans et al. |
| 7,580,643 | B2 | 8/2009 | Moore et al. | 7,835,128 | B2 | 11/2010 | Divan et al. |
| 7,581,702 | B2 | 9/2009 | Wheeler et al. | 7,835,600 | B1 | 11/2010 | Yap et al. |
| 7,583,074 | B1 | 9/2009 | Lynch et al. | 7,843,375 | B1 | 11/2010 | Rennie et al. |
| 7,584,470 | B2 | 9/2009 | Barker et al. | 7,848,517 | B2 | 12/2010 | Britz et al. |
| 7,589,686 | B2 | 9/2009 | Balzovsky et al. | 7,852,837 | B1 | 12/2010 | Au et al. |
| 7,590,404 | B1 | 9/2009 | Johnson | 7,855,612 | B2 | 12/2010 | Zienkewicz et al. |
| 7,591,020 | B2 | 9/2009 | Kammer et al. | 7,856,007 | B2 | 12/2010 | Corcoran et al. |
| 7,591,792 | B2 | 9/2009 | Bouton et al. | 7,869,391 | B2 | 1/2011 | Lee et al. |
| 7,596,222 | B2 | 9/2009 | Jonas et al. | 7,872,610 | B2 | 1/2011 | Motzer et al. |
| 7,598,844 | B2 | 10/2009 | Corcoran et al. | 7,873,249 | B2 | 1/2011 | Kachmar et al. |
| 7,602,333 | B2 | 10/2009 | Hiramatsu et al. | 7,876,174 | B2 | 1/2011 | Radtke et al. |
| 7,602,815 | B2 | 10/2009 | Houghton et al. | 7,884,285 | B2 | 2/2011 | Spencer |
| 7,620,370 | B2 | 11/2009 | Barak et al. | 7,884,648 | B2 | 2/2011 | Broyde et al. |
| 7,625,131 | B2 | 12/2009 | Zienkewicz et al. | 7,885,542 | B2 | 2/2011 | Riggsby et al. |
| 7,626,489 | B2 | 12/2009 | Berkman et al. | 7,889,148 | B2 | 2/2011 | Diaz et al. |
| 7,626,542 | B2 | 12/2009 | Kober et al. | 7,889,149 | B2 | 2/2011 | Peebles et al. |
| 7,634,250 | B1 | 12/2009 | Prasad et al. | 7,890,053 | B2 | 2/2011 | Washiro |
| 7,640,562 | B2 | 12/2009 | Bouilloux-Lafont et al. | 7,893,789 | B2 | 2/2011 | Paynter et al. |
| 7,640,581 | B1 | 12/2009 | Brenton et al. | 7,894,770 | B2 | 2/2011 | Washiro et al. |
| 7,653,363 | B2 | 1/2010 | Karr et al. | 7,903,918 | B1 | 3/2011 | Bickham et al. |
| 7,656,167 | B1 | 2/2010 | McLean et al. | 7,903,972 | B2 | 3/2011 | Riggsby et al. |
| 7,660,252 | B1 | 2/2010 | Huang et al. | 7,929,940 | B1 | 4/2011 | Dianda et al. |
| 7,660,328 | B1 | 2/2010 | Oz et al. | 7,930,750 | B1 | 4/2011 | Gauvin et al. |
| 7,664,117 | B2 | 2/2010 | Lou et al. | 7,937,699 | B2 | 5/2011 | Schneider et al. |
| 7,669,049 | B2 | 2/2010 | Wang et al. | 7,940,207 | B1 | 5/2011 | Kienzle et al. |
| | | | | 7,956,818 | B1 | 6/2011 | Hsu et al. |
| | | | | 7,958,120 | B2 | 6/2011 | Muntz et al. |
| | | | | 7,962,957 | B2 | 6/2011 | Keohane et al. |
| | | | | 7,965,842 | B2 | 6/2011 | Whelan et al. |

(56)

References Cited

U.S. PATENT DOCUMENTS

| | | | | | |
|--------------|---------|--------------------|--------------|---------|-----------------------|
| 7,970,365 B2 | 6/2011 | Martin et al. | 8,238,824 B2 | 8/2012 | Washiro |
| 7,970,937 B2 | 6/2011 | Shuster et al. | 8,242,358 B2 | 8/2012 | Park et al. |
| 7,971,053 B2 | 6/2011 | Gibson, Sr. et al. | 8,243,603 B2 | 8/2012 | Gossain et al. |
| 7,974,387 B2 | 7/2011 | Lutz et al. | 8,249,028 B2 | 8/2012 | Porras et al. |
| 7,983,740 B2 | 7/2011 | Culver et al. | 8,251,307 B2 | 8/2012 | Goossen et al. |
| 7,986,711 B2 | 7/2011 | Horvath et al. | 8,253,516 B2 | 8/2012 | Miller, II et al. |
| 7,990,329 B2 | 8/2011 | Deng et al. | 8,255,952 B2 | 8/2012 | Boylan, III et al. |
| 7,991,877 B2 | 8/2011 | Keohane et al. | 8,258,743 B2 | 9/2012 | Tyler et al. |
| 7,992,014 B2 | 8/2011 | Langgood et al. | 8,264,417 B2 | 9/2012 | Snow et al. |
| 8,013,694 B2 | 9/2011 | Sagala et al. | 8,269,583 B2 | 9/2012 | Miller, II et al. |
| 8,019,288 B2 | 9/2011 | Yu et al. | 8,295,301 B2 | 10/2012 | Yonge, III et al. |
| 8,022,885 B2 | 9/2011 | Smoyer et al. | 8,300,538 B2 | 10/2012 | Kim et al. |
| 8,022,887 B1 | 9/2011 | Zarnaghi et al. | 8,300,640 B2 | 10/2012 | Al-Banna et al. |
| 8,027,391 B2 | 9/2011 | Matsubara et al. | 8,316,228 B2 | 11/2012 | Winslow et al. |
| 8,036,207 B2 | 10/2011 | Chen et al. | 8,316,364 B2 | 11/2012 | Stein et al. |
| 8,049,576 B2 | 11/2011 | Broyde et al. | 8,324,990 B2 | 12/2012 | Vouloumanos |
| 8,059,576 B2 | 11/2011 | Vavik et al. | 8,325,693 B2 | 12/2012 | Binder et al. |
| 8,064,944 B2 | 11/2011 | Yun et al. | 8,343,145 B2 | 1/2013 | Brannan et al. |
| 8,065,099 B2 | 11/2011 | Gibala et al. | 8,344,829 B2 | 1/2013 | Miller, II et al. |
| 8,069,483 B1 | 11/2011 | Matlock et al. | 8,363,313 B2 | 1/2013 | Nakaguma et al. |
| 8,072,323 B2 | 12/2011 | Kodama et al. | 8,369,667 B2 | 2/2013 | Rose et al. |
| 8,072,386 B2 | 12/2011 | Lier et al. | 8,373,095 B2 | 2/2013 | Huynh et al. |
| 8,073,810 B2 | 12/2011 | Maes | 8,374,821 B2 | 2/2013 | Rousselle et al. |
| 8,077,049 B2 | 12/2011 | Yaney et al. | 8,384,600 B2 | 2/2013 | Huang et al. |
| 8,081,854 B2 | 12/2011 | Yoon et al. | 8,385,978 B2 | 2/2013 | Leung et al. |
| 8,089,404 B2 | 1/2012 | Nichols et al. | 8,386,198 B2 | 2/2013 | Lancaster |
| 8,089,952 B2 | 1/2012 | Spade et al. | 8,390,402 B2 | 3/2013 | Kunes et al. |
| 8,090,379 B2 | 1/2012 | Lambert et al. | 8,406,239 B2 | 3/2013 | Hurwitz et al. |
| 8,094,081 B1 | 1/2012 | Bruzzi et al. | 8,406,593 B2 | 3/2013 | Molin et al. |
| 8,094,985 B2 | 1/2012 | Imamura et al. | 8,407,687 B2 | 3/2013 | Moshir et al. |
| 8,095,093 B2 | 1/2012 | Takinami et al. | 8,412,130 B2 | 4/2013 | Suematsu et al. |
| 8,098,198 B2 | 1/2012 | Thiesen et al. | 8,414,326 B2 | 4/2013 | Bowman |
| 8,102,779 B2 | 1/2012 | Kim et al. | 8,415,884 B2 | 4/2013 | Chen et al. |
| RE43,163 E | 2/2012 | Anderson | 8,428,033 B2 | 4/2013 | Hettstedt et al. |
| 8,111,148 B2 | 2/2012 | Parker et al. | 8,433,168 B2 | 4/2013 | Filippov et al. |
| 8,120,488 B2 | 2/2012 | Bloy et al. | 8,434,103 B2 | 4/2013 | Tsuchida et al. |
| 8,121,624 B2 | 2/2012 | Cai et al. | 8,437,383 B2 | 5/2013 | Wiwel et al. |
| 8,126,393 B2 | 2/2012 | Wu et al. | 8,457,027 B2 | 6/2013 | Dougherty et al. |
| 8,129,817 B2 | 3/2012 | Jou et al. | 8,458,453 B1 | 6/2013 | Mahalingaiah et al. |
| 8,131,125 B2 | 3/2012 | Molin et al. | 8,462,063 B2 | 6/2013 | Gummalla et al. |
| 8,131,266 B2 | 3/2012 | Cai et al. | 8,467,363 B2 | 6/2013 | Lea et al. |
| 8,132,239 B2 | 3/2012 | Wahl | 8,468,244 B2 | 6/2013 | Redlich et al. |
| 8,134,424 B2 | 3/2012 | Kato et al. | 8,484,511 B2 | 7/2013 | Tidwell et al. |
| 8,134,458 B2 | 3/2012 | Lund | 8,495,718 B2 | 7/2013 | Han et al. |
| 8,140,113 B2 | 3/2012 | Rofougaran et al. | 8,497,749 B2 | 7/2013 | Elmore |
| 8,150,311 B2 | 4/2012 | Hart et al. | 8,503,845 B2 | 8/2013 | Winzer et al. |
| 8,151,306 B2 | 4/2012 | Rakib | 8,505,057 B2 | 8/2013 | Rogers |
| 8,156,520 B2 | 4/2012 | Casagrande et al. | 8,509,114 B1 | 8/2013 | Szajdecki |
| 8,159,316 B2 | 4/2012 | Miyazato et al. | 8,514,980 B2 | 8/2013 | Kuhtz |
| 8,159,385 B2 | 4/2012 | Farneth et al. | 8,515,383 B2 | 8/2013 | Prince et al. |
| 8,159,394 B2 | 4/2012 | Hayes et al. | 8,516,470 B1 | 8/2013 | Joshi et al. |
| 8,159,742 B2 | 4/2012 | McKay et al. | 8,516,474 B2 | 8/2013 | Lamba et al. |
| 8,159,933 B2 | 4/2012 | Henry | 8,519,892 B2 | 8/2013 | Ding et al. |
| 8,160,064 B2 | 4/2012 | Kokernak et al. | 8,520,636 B2 | 8/2013 | Xu |
| 8,160,530 B2 | 4/2012 | Corman et al. | 8,528,059 B1 | 9/2013 | Saluzzo et al. |
| 8,160,825 B1 | 4/2012 | Roe, Jr. et al. | 8,532,023 B2 | 9/2013 | Buddhikot et al. |
| 8,164,531 B2 | 4/2012 | Lier et al. | 8,532,046 B2 | 9/2013 | Hu et al. |
| 8,171,146 B2 | 5/2012 | Chen et al. | 8,532,492 B2 | 9/2013 | Sadowski et al. |
| 8,172,173 B2 | 5/2012 | Carlson et al. | 8,536,857 B2 | 9/2013 | Nero, Jr. |
| 8,173,943 B2 | 5/2012 | Vilo et al. | 8,537,068 B2 | 9/2013 | Call et al. |
| 8,175,649 B2 | 5/2012 | Harel et al. | 8,537,705 B2 | 9/2013 | Afkhamie et al. |
| 8,180,917 B1 | 5/2012 | Yan et al. | 8,539,540 B2 | 9/2013 | Zenoni |
| 8,184,015 B2 | 5/2012 | Lilien et al. | 8,539,569 B2 | 9/2013 | Mansour |
| 8,184,059 B2 | 5/2012 | Bunch et al. | 8,542,968 B2 | 9/2013 | Dong et al. |
| 8,184,311 B2 | 5/2012 | Sakai et al. | 8,548,294 B2 | 10/2013 | Toge et al. |
| 8,188,855 B2 | 5/2012 | Sharma et al. | 8,553,646 B2 | 10/2013 | Kumar |
| 8,199,762 B2 | 6/2012 | Michelson et al. | 8,561,104 B1 | 10/2013 | Dow et al. |
| 8,203,501 B2 | 6/2012 | Kim et al. | 8,561,181 B1 | 10/2013 | Sobel et al. |
| 8,212,635 B2 | 7/2012 | Miller, II et al. | 8,565,568 B2 | 10/2013 | Bigot-Astruc et al. |
| 8,213,758 B2 | 7/2012 | Dong et al. | 8,572,247 B2 | 10/2013 | Larson et al. |
| 8,218,929 B2 | 7/2012 | Bickham et al. | 8,572,639 B2 | 10/2013 | Ficco |
| 8,222,919 B2 | 7/2012 | Broyde et al. | 8,572,661 B2 | 10/2013 | Strong et al. |
| 8,222,977 B2 | 7/2012 | Oyama et al. | 8,578,076 B2 | 11/2013 | van der Linden et al. |
| 8,225,379 B2 | 7/2012 | van de Groenendaal | 8,578,486 B2 | 11/2013 | Lifliand et al. |
| 8,237,617 B1 | 8/2012 | Johnson | 8,582,502 B2 | 11/2013 | Conte |
| | | | 8,584,195 B2 | 11/2013 | Sherlock et al. |
| | | | 8,587,490 B2 | 11/2013 | Niver et al. |
| | | | 8,587,492 B2 | 11/2013 | Runyon et al. |
| | | | 8,588,567 B2 | 11/2013 | Kamps et al. |

(56)

References Cited

U.S. PATENT DOCUMENTS

| | | | | | | | |
|-----------|----|---------|---------------------|-----------|----|---------|------------------------|
| 8,588,840 | B2 | 11/2013 | Truong et al. | 8,863,245 | B1 | 10/2014 | Abhyanker |
| 8,588,991 | B1 | 11/2013 | Forbes, Jr. | 8,867,226 | B2 | 10/2014 | Colomb et al. |
| 8,593,238 | B2 | 11/2013 | Miller, II et al. | 8,872,032 | B2 | 10/2014 | Su et al. |
| 8,594,956 | B2 | 11/2013 | McBee et al. | 8,875,224 | B2 | 10/2014 | Gross et al. |
| 8,600,602 | B1 | 12/2013 | Watson et al. | 8,878,740 | B2 | 11/2014 | Coupland et al. |
| 8,604,982 | B2 | 12/2013 | Gummalla et al. | 8,881,588 | B2 | 11/2014 | Baer et al. |
| 8,604,999 | B2 | 12/2013 | Abumrad et al. | 8,885,689 | B2 | 11/2014 | Blasco Claret et al. |
| 8,605,579 | B2 | 12/2013 | Abraham et al. | 8,887,212 | B2 | 11/2014 | Dua |
| 8,612,550 | B2 | 12/2013 | Yoo et al. | 8,890,759 | B2 | 11/2014 | Pantea et al. |
| 8,613,020 | B2 | 12/2013 | Knudson et al. | 8,893,246 | B2 | 11/2014 | El-Moussa et al. |
| 8,615,190 | B2 | 12/2013 | Lu | 8,897,215 | B2 | 11/2014 | Hazani et al. |
| 8,625,547 | B1 | 1/2014 | Miller et al. | 8,897,697 | B1 | 11/2014 | Willis, III et al. |
| 8,629,811 | B2 | 1/2014 | Gaynor et al. | 8,901,916 | B2 | 12/2014 | Rodriguez et al. |
| 8,639,934 | B2 | 1/2014 | Kruglick | 8,903,214 | B2 | 12/2014 | Alkeskjold |
| 8,653,906 | B2 | 2/2014 | Mahon et al. | 8,907,222 | B2 | 12/2014 | Stransky |
| 8,655,396 | B2 | 2/2014 | Malladi et al. | 8,907,845 | B2 | 12/2014 | Jones |
| 8,656,458 | B2 | 2/2014 | Heffez et al. | 8,908,573 | B1 | 12/2014 | Wang et al. |
| 8,660,526 | B1 | 2/2014 | Heiderscheit et al. | 8,913,862 | B1 | 12/2014 | Emmerich et al. |
| 8,660,698 | B2 | 2/2014 | Phillips et al. | 8,917,215 | B2 | 12/2014 | Pohl |
| 8,665,102 | B2 | 3/2014 | Salewske et al. | 8,917,964 | B2 | 12/2014 | Blew et al. |
| 8,666,553 | B2 | 3/2014 | Phillips et al. | 8,918,108 | B2 | 12/2014 | van Heeswyk et al. |
| 8,674,630 | B1 | 3/2014 | Cornelius et al. | 8,918,135 | B2 | 12/2014 | Kang et al. |
| 8,681,463 | B2 | 3/2014 | Franks et al. | 8,925,079 | B2 | 12/2014 | Miyake et al. |
| 8,687,650 | B2 | 4/2014 | King | 8,934,747 | B2 | 1/2015 | Smith et al. |
| 8,688,153 | B2 | 4/2014 | Komori et al. | 8,937,577 | B2 | 1/2015 | Gerini et al. |
| 8,699,454 | B2 | 4/2014 | Hapsari et al. | 8,938,144 | B2 | 1/2015 | Hennink et al. |
| 8,699,461 | B2 | 4/2014 | Qian et al. | 8,938,255 | B2 | 1/2015 | Dalla Torre et al. |
| 8,705,925 | B2 | 4/2014 | Terada et al. | 8,941,912 | B2 | 1/2015 | Ichi et al. |
| 8,706,026 | B2 | 4/2014 | Truong et al. | 8,952,678 | B2 | 2/2015 | Giboney et al. |
| 8,707,432 | B1 | 4/2014 | Rathi et al. | 8,955,051 | B2 | 2/2015 | Marzii |
| 8,711,732 | B2 | 4/2014 | Johnson et al. | 8,955,075 | B2 | 2/2015 | Smith et al. |
| 8,711,806 | B2 | 4/2014 | Lim et al. | 8,957,818 | B2 | 2/2015 | Chen et al. |
| 8,711,857 | B2 | 4/2014 | Jackson et al. | 8,958,665 | B2 | 2/2015 | Ziari et al. |
| 8,712,200 | B1 | 4/2014 | Abernathy et al. | 8,963,790 | B2 | 2/2015 | Brown et al. |
| 8,719,938 | B2 | 5/2014 | Demeter et al. | 8,964,433 | B2 | 2/2015 | Hai-Maharsi |
| 8,723,730 | B2 | 5/2014 | Lu et al. | 8,966,609 | B2 | 2/2015 | Lee et al. |
| 8,731,358 | B2 | 5/2014 | Pare et al. | 8,970,438 | B2 | 3/2015 | Hager et al. |
| 8,732,476 | B1 | 5/2014 | Van et al. | 8,984,113 | B2 | 3/2015 | Li et al. |
| 8,737,793 | B2 | 5/2014 | Imamura et al. | 8,989,788 | B2 | 3/2015 | Kim et al. |
| 8,738,318 | B2 | 5/2014 | Spillane | 8,994,474 | B2 | 3/2015 | Mahon et al. |
| 8,743,004 | B2 | 6/2014 | Haziza | 8,996,188 | B2 | 3/2015 | Frader-Thompson et al. |
| 8,749,449 | B2 | 6/2014 | Caldwell et al. | 8,996,728 | B2 | 3/2015 | Cochinwala et al. |
| 8,750,664 | B2 | 6/2014 | Zhang et al. | 9,000,353 | B2 | 4/2015 | Seo et al. |
| 8,755,659 | B2 | 6/2014 | Imamura et al. | 9,001,689 | B1 | 4/2015 | Ponnampalam et al. |
| 8,760,354 | B2 | 6/2014 | Flannery et al. | 9,001,717 | B2 | 4/2015 | Chun et al. |
| 8,761,792 | B2 | 6/2014 | Sennett et al. | 9,003,492 | B2 | 4/2015 | Katar |
| 8,763,097 | B2 | 6/2014 | Bhatnagar et al. | 9,008,208 | B2 | 4/2015 | Khandani |
| 8,767,071 | B1 | 7/2014 | Marshall | 9,008,513 | B2 | 4/2015 | Kim et al. |
| 8,769,622 | B2 | 7/2014 | Chang et al. | 9,009,460 | B2 | 4/2015 | Chen |
| 8,780,012 | B2 | 7/2014 | Lombart Juan et al. | 9,014,621 | B2 | 4/2015 | Mohebbi |
| 8,782,195 | B2 | 7/2014 | Foti | 9,015,467 | B2 | 4/2015 | Buer |
| 8,786,284 | B2 | 7/2014 | Sirigiri et al. | 9,019,595 | B2 | 4/2015 | Jain et al. |
| 8,786,514 | B2 | 7/2014 | Dickie et al. | 9,019,892 | B2 | 4/2015 | Zhou et al. |
| 8,789,091 | B2 | 7/2014 | Eldering et al. | 9,020,555 | B2 | 4/2015 | Sheikh et al. |
| 8,792,760 | B2 | 7/2014 | Choi et al. | 9,021,251 | B2 | 4/2015 | Chawla |
| 8,792,933 | B2 | 7/2014 | Chen et al. | 9,021,575 | B2 | 4/2015 | Martini |
| 8,793,363 | B2 | 7/2014 | Sater et al. | 9,037,516 | B2 | 5/2015 | Abhyanker |
| 8,793,742 | B2 | 7/2014 | Macrae et al. | 9,042,812 | B1 | 5/2015 | Bennett et al. |
| 8,797,207 | B2 | 8/2014 | Kienzle et al. | 9,070,962 | B2 | 6/2015 | Kobayashi |
| 8,804,667 | B2 | 8/2014 | Wang | 9,082,307 | B2 | 7/2015 | Sharawi |
| 8,806,202 | B2 | 8/2014 | Shoemake et al. | 9,094,407 | B1 | 7/2015 | Matthieu |
| 8,810,404 | B2 | 8/2014 | Bertoncini et al. | 9,098,325 | B2 | 8/2015 | Reddin |
| 8,810,421 | B2 | 8/2014 | Deaver, Sr. et al. | 9,099,787 | B2 | 8/2015 | Blech |
| 8,811,278 | B2 | 8/2014 | Hori et al. | 9,103,864 | B2 | 8/2015 | Ali |
| 8,812,154 | B2 | 8/2014 | Vian et al. | 9,106,617 | B2 | 8/2015 | Kshirsagar et al. |
| 8,817,741 | B2 | 8/2014 | Shaheen | 9,113,347 | B2 | 8/2015 | Henry |
| 8,825,239 | B2 | 9/2014 | Cooper et al. | 9,119,127 | B1 | 8/2015 | Henry |
| 8,830,112 | B1 | 9/2014 | Buchler et al. | 9,128,941 | B2 | 9/2015 | Shulman |
| 8,831,506 | B2 | 9/2014 | Claret et al. | 9,130,641 | B2 | 9/2015 | Mohebbi |
| 8,836,607 | B2 | 9/2014 | Cook et al. | 9,134,945 | B2 | 9/2015 | Husain |
| 8,839,350 | B1 | 9/2014 | Shapcott et al. | 9,137,485 | B2 | 9/2015 | Bar-Niv et al. |
| 8,847,840 | B1 | 9/2014 | Diaz et al. | 9,142,334 | B2 | 9/2015 | Muto et al. |
| 8,847,846 | B1 | 9/2014 | Diaz et al. | 9,143,084 | B2 | 9/2015 | Perez et al. |
| 8,856,239 | B1 | 10/2014 | Oliver et al. | 9,167,535 | B2 | 10/2015 | Christoffersson et al. |
| 8,856,530 | B2 | 10/2014 | Lamberg et al. | 9,204,418 | B2 | 12/2015 | Siomina et al. |
| | | | | 9,209,902 | B2 | 12/2015 | Willis, III et al. |
| | | | | 9,219,594 | B2 | 12/2015 | Khlat |
| | | | | 9,260,244 | B1 | 2/2016 | Cohn |
| | | | | 9,264,204 | B2 | 2/2016 | Seo et al. |

(56)

References Cited

U.S. PATENT DOCUMENTS

| | | | | | |
|-----------------|---------|-------------------------|------------------|---------|------------------------------------|
| 9,265,078 B2 | 2/2016 | Lim et al. | 2004/0250069 A1 | 12/2004 | Kosamo et al. |
| 9,271,185 B2 | 2/2016 | Abdelmonem et al. | 2005/0005854 A1 | 1/2005 | Suzuki et al. |
| 9,276,303 B2 | 3/2016 | Chang et al. | 2005/0017825 A1 | 1/2005 | Hansen |
| 9,276,304 B2 | 3/2016 | Behan | 2005/0063422 A1 | 3/2005 | Lazar et al. |
| 9,282,144 B2 | 3/2016 | Tebay et al. | 2005/0068223 A1 | 3/2005 | Vavik et al. |
| 9,287,605 B2 | 3/2016 | Daughenbaugh et al. | 2005/0069321 A1 | 3/2005 | Sullivan et al. |
| 9,293,801 B2 | 3/2016 | Courtney et al. | 2005/0074208 A1 | 4/2005 | Badcock et al. |
| 9,302,770 B2 | 4/2016 | Cohen et al. | 2005/0097396 A1 | 5/2005 | Wood |
| 9,306,682 B2 | 4/2016 | Singh | 2005/0102185 A1 | 5/2005 | Barker et al. |
| 9,312,929 B2 | 4/2016 | Forenza et al. | 2005/0111533 A1 | 5/2005 | Berkman et al. |
| 9,334,052 B2 | 5/2016 | Ubhi et al. | 2005/0143868 A1 | 6/2005 | Whelan et al. |
| 9,338,823 B2 | 5/2016 | Saban et al. | 2005/0151659 A1 | 7/2005 | Donovan et al. |
| 9,346,560 B2 | 5/2016 | Wang | 2005/0164666 A1 | 7/2005 | Lang et al. |
| 9,351,182 B2 | 5/2016 | Elliott et al. | 2005/0168326 A1 | 8/2005 | White et al. |
| 9,363,690 B1 | 6/2016 | Suthar et al. | 2005/0169056 A1 | 8/2005 | Berkman et al. |
| 9,363,761 B2 | 6/2016 | Venkatraman | 2005/0169401 A1* | 8/2005 | Abraham H04B 3/54 375/295 |
| 9,368,275 B2 | 6/2016 | McBee et al. | 2005/0177463 A1 | 8/2005 | Crutchfield et al. |
| 9,379,556 B2 | 6/2016 | Haensgen et al. | 2005/0190101 A1 | 9/2005 | Hiramatsu et al. |
| 9,380,857 B2 | 7/2016 | Davis et al. | 2005/0212626 A1 | 9/2005 | Takamatsu |
| 9,393,683 B2 | 7/2016 | Kimberlin et al. | 2005/0219135 A1 | 10/2005 | Lee et al. |
| 9,397,380 B2 | 7/2016 | Kudela et al. | 2005/0226353 A1 | 10/2005 | Gebara et al. |
| 9,421,869 B1 | 8/2016 | Ananthanarayanan et al. | 2005/0258920 A1 | 11/2005 | Elmore |
| 9,422,139 B1 | 8/2016 | Bialkowski et al. | 2006/0034724 A1 | 2/2006 | Hamano et al. |
| 9,439,092 B1 | 9/2016 | Chukka et al. | 2006/0053486 A1 | 3/2006 | Wesinger et al. |
| 2001/0030789 A1 | 10/2001 | Jiang et al. | 2006/0082516 A1 | 4/2006 | Strickland et al. |
| 2002/0002040 A1 | 1/2002 | Kline et al. | 2006/0111047 A1 | 5/2006 | Louberg et al. |
| 2002/0008672 A1 | 1/2002 | Gothard et al. | 2006/0113425 A1 | 6/2006 | Rader et al. |
| 2002/0021716 A1 | 2/2002 | Terk et al. | 2006/0114925 A1 | 6/2006 | Gerszberg et al. |
| 2002/0024424 A1 | 2/2002 | Burns et al. | 2006/0119528 A1 | 6/2006 | Bhattacharyya et al. |
| 2002/0027481 A1 | 3/2002 | Fiedziuszko et al. | 2006/0120399 A1 | 6/2006 | Claret et al. |
| 2002/0040439 A1 | 4/2002 | Kellum et al. | 2006/0128322 A1 | 6/2006 | Igarashi et al. |
| 2002/0057223 A1 | 5/2002 | Hook | 2006/0153878 A1 | 7/2006 | Savarino et al. |
| 2002/0069417 A1 | 6/2002 | Kliger et al. | 2006/0172781 A1 | 8/2006 | Mohebbi et al. |
| 2002/0083194 A1 | 6/2002 | Bak et al. | 2006/0181394 A1 | 8/2006 | Clarke et al. |
| 2002/0099949 A1 | 7/2002 | Fries et al. | 2006/0187023 A1 | 8/2006 | Iwamura et al. |
| 2002/0101852 A1 | 8/2002 | Say et al. | 2006/0192672 A1 | 8/2006 | Gidge et al. |
| 2002/0111997 A1 | 8/2002 | Herlihy et al. | 2006/0220833 A1 | 10/2006 | Berkman et al. |
| 2002/0156917 A1 | 10/2002 | Nye et al. | 2006/0239501 A1 | 10/2006 | Petrovic et al. |
| 2002/0186694 A1 | 12/2002 | Mahajan et al. | 2006/0249622 A1 | 11/2006 | Steele et al. |
| 2002/0197979 A1 | 12/2002 | Vanderveen et al. | 2006/0255930 A1 | 11/2006 | Berkman et al. |
| 2003/0002125 A1 | 1/2003 | Fuse et al. | 2006/0286927 A1 | 12/2006 | Berkman et al. |
| 2003/0002476 A1 | 1/2003 | Chung et al. | 2007/0002771 A1 | 1/2007 | Berkman et al. |
| 2003/0010528 A1 | 1/2003 | Niles | 2007/0022475 A1 | 1/2007 | Rossi et al. |
| 2003/0038753 A1 | 2/2003 | Mahon et al. | 2007/0025265 A1 | 2/2007 | Marcotullio et al. |
| 2003/0049003 A1 | 3/2003 | Ahmad et al. | 2007/0025386 A1 | 2/2007 | Riedel et al. |
| 2003/0054793 A1 | 3/2003 | Manis et al. | 2007/0041464 A1 | 2/2007 | Kim et al. |
| 2003/0095208 A1 | 5/2003 | Chouraqui et al. | 2007/0041554 A1 | 2/2007 | Newman |
| 2003/0137464 A1 | 7/2003 | Foti et al. | 2007/0054622 A1 | 3/2007 | Berkman |
| 2003/0152331 A1 | 8/2003 | Dair et al. | 2007/0063914 A1 | 3/2007 | Becker et al. |
| 2003/0164794 A1 | 9/2003 | Haynes et al. | 2007/0090185 A1 | 4/2007 | Lewkowitz et al. |
| 2003/0188308 A1 | 10/2003 | Kizuka | 2007/0105508 A1 | 5/2007 | Tong et al. |
| 2003/0190110 A1 | 10/2003 | Kline et al. | 2007/0135044 A1 | 6/2007 | Rhodes et al. |
| 2003/0202756 A1 | 10/2003 | Hurley et al. | 2007/0144779 A1 | 6/2007 | Vicente et al. |
| 2003/0210197 A1 | 11/2003 | Cencich et al. | 2007/0189182 A1 | 8/2007 | Berkman et al. |
| 2004/0015725 A1 | 1/2004 | Boneh et al. | 2007/0211689 A1 | 9/2007 | Campero et al. |
| 2004/0023640 A1 | 2/2004 | Ballai et al. | 2007/0211786 A1 | 9/2007 | Shatil et al. |
| 2004/0024913 A1 | 2/2004 | Ikeda et al. | 2007/0226779 A1 | 9/2007 | Yokomitsu et al. |
| 2004/0048596 A1 | 3/2004 | Wyrzykowska et al. | 2007/0252998 A1 | 11/2007 | Berthold et al. |
| 2004/0054425 A1 | 3/2004 | Elmore | 2007/0257858 A1 | 11/2007 | Liu et al. |
| 2004/0085153 A1 | 5/2004 | Fukunaga et al. | 2007/0268124 A1 | 11/2007 | Berkman et al. |
| 2004/0091032 A1 | 5/2004 | Duchi et al. | 2007/0268846 A1 | 11/2007 | Proctor et al. |
| 2004/0100343 A1 | 5/2004 | Tsu et al. | 2007/0300280 A1 | 12/2007 | Turner et al. |
| 2004/0104410 A1 | 6/2004 | Gilbert et al. | 2008/0002652 A1 | 1/2008 | Gupta et al. |
| 2004/0113757 A1 | 6/2004 | White, II et al. | 2008/0003872 A1 | 1/2008 | Chen et al. |
| 2004/0119564 A1 | 6/2004 | Itoh et al. | 2008/0007416 A1 | 1/2008 | Cern et al. |
| 2004/0131310 A1 | 7/2004 | Walker et al. | 2008/0043655 A1 | 2/2008 | Lee et al. |
| 2004/0163135 A1 | 8/2004 | Giaccherini et al. | 2008/0055149 A1 | 3/2008 | Rees et al. |
| 2004/0165669 A1 | 8/2004 | Otsuka et al. | 2008/0060832 A1 | 3/2008 | Razavi et al. |
| 2004/0169572 A1 | 9/2004 | Elmore et al. | 2008/0064331 A1 | 3/2008 | Washiro et al. |
| 2004/0196784 A1 | 10/2004 | Larsson et al. | 2008/0077336 A1 | 3/2008 | Fernandes et al. |
| 2004/0198228 A1 | 10/2004 | Raghothaman et al. | 2008/0080389 A1 | 4/2008 | Hart et al. |
| 2004/0212481 A1 | 10/2004 | Abraham et al. | 2008/0084937 A1 | 4/2008 | Barthold et al. |
| 2004/0213147 A1 | 10/2004 | Wiese et al. | 2008/0120667 A1 | 5/2008 | Zaltsman |
| 2004/0213189 A1 | 10/2004 | Alspaugh et al. | 2008/0122723 A1 | 5/2008 | Rofougaran et al. |
| 2004/0213294 A1 | 10/2004 | Hughes et al. | 2008/0130639 A1 | 6/2008 | Costa-Requena et al. |
| | | | 2008/0143491 A1 | 6/2008 | Deaver et al. |
| | | | 2008/0150790 A1 | 6/2008 | Voigtlaender et al. |
| | | | 2008/0153416 A1 | 6/2008 | Washiro et al. |

(56)

References Cited

U.S. PATENT DOCUMENTS

| | | | | | | | |
|--------------|----|---------|---------------------|--------------|----|---------|----------------------|
| 2008/0191851 | A1 | 8/2008 | Koga et al. | 2011/0018704 | A1 | 1/2011 | Burrows et al. |
| 2008/0211727 | A1 | 9/2008 | Elmore et al. | 2011/0040861 | A1 | 2/2011 | Van der Merwe et al. |
| 2008/0247716 | A1 | 10/2008 | Thomas et al. | 2011/0042120 | A1 | 2/2011 | Otsuka et al. |
| 2008/0252522 | A1 | 10/2008 | Asbridge et al. | 2011/0043051 | A1 | 2/2011 | Meskens et al. |
| 2008/0253723 | A1 | 10/2008 | Stokes et al. | 2011/0053498 | A1 | 3/2011 | Nogueira-Nine |
| 2008/0255782 | A1 | 10/2008 | Bilac et al. | 2011/0068893 | A1 | 3/2011 | Lahiri et al. |
| 2008/0266060 | A1 | 10/2008 | Takei et al. | 2011/0068988 | A1 | 3/2011 | Monte et al. |
| 2008/0267076 | A1 | 10/2008 | Laperi et al. | 2011/0107364 | A1 | 5/2011 | Lajoie et al. |
| 2008/0279199 | A1 | 11/2008 | Park et al. | 2011/0109936 | A1 | 5/2011 | Coffee et al. |
| 2008/0313691 | A1 | 12/2008 | Cholas | 2011/0110404 | A1 | 5/2011 | Washiro |
| 2009/0002137 | A1 | 1/2009 | Radtke et al. | 2011/0118888 | A1 | 5/2011 | White et al. |
| 2009/0007189 | A1 | 1/2009 | Gutknecht | 2011/0132658 | A1 | 6/2011 | Miller, II et al. |
| 2009/0007190 | A1 | 1/2009 | Weber et al. | 2011/0133865 | A1 | 6/2011 | Miller, II et al. |
| 2009/0007194 | A1 | 1/2009 | Brady, Jr. et al. | 2011/0133867 | A1 | 6/2011 | Miller, II et al. |
| 2009/0015239 | A1 | 1/2009 | Georgiou et al. | 2011/0136432 | A1 | 6/2011 | Miller, II et al. |
| 2009/0054737 | A1 | 2/2009 | Magar et al. | 2011/0140911 | A1 | 6/2011 | Pant et al. |
| 2009/0061940 | A1 | 3/2009 | Scheinert et al. | 2011/0141555 | A1 | 6/2011 | Fermann et al. |
| 2009/0067441 | A1 | 3/2009 | Ansari et al. | 2011/0148578 | A1 | 6/2011 | Aloi et al. |
| 2009/0079660 | A1 | 3/2009 | Elmore | 2011/0164514 | A1 | 7/2011 | Afkhamie et al. |
| 2009/0085726 | A1 | 4/2009 | Radtke et al. | 2011/0165847 | A1 | 7/2011 | Kawasaki et al. |
| 2009/0093267 | A1 | 4/2009 | Ariyur et al. | 2011/0169336 | A1 | 7/2011 | Yerazunis et al. |
| 2009/0109981 | A1 | 4/2009 | Keselman | 2011/0172000 | A1 | 7/2011 | Quigley et al. |
| 2009/0129301 | A1 | 5/2009 | Belimpasakis et al. | 2011/0173447 | A1 | 7/2011 | Zhang et al. |
| 2009/0138931 | A1 | 5/2009 | Lin et al. | 2011/0187578 | A1 | 8/2011 | Farneth et al. |
| 2009/0140852 | A1 | 6/2009 | Stolarczyk et al. | 2011/0208450 | A1 | 8/2011 | Salka et al. |
| 2009/0144417 | A1 | 6/2009 | Kisel et al. | 2011/0214176 | A1 | 9/2011 | Burch et al. |
| 2009/0171780 | A1 | 7/2009 | Aldrey et al. | 2011/0219402 | A1 | 9/2011 | Candelore et al. |
| 2009/0201133 | A1 | 8/2009 | Bruns et al. | 2011/0225046 | A1 | 9/2011 | Eldering et al. |
| 2009/0202020 | A1 | 8/2009 | Hafeez et al. | 2011/0228814 | A1 | 9/2011 | Washiro et al. |
| 2009/0210901 | A1 | 8/2009 | Hawkins et al. | 2011/0268085 | A1 | 11/2011 | Barany et al. |
| 2009/0250449 | A1 | 10/2009 | Petrenko et al. | 2011/0274396 | A1 | 11/2011 | Nakajima et al. |
| 2009/0254971 | A1 | 10/2009 | Herz et al. | 2011/0294509 | A1 | 12/2011 | Kim et al. |
| 2009/0258652 | A1 | 10/2009 | Lambert et al. | 2011/0311231 | A1 | 12/2011 | Ridgway et al. |
| 2009/0284435 | A1 | 11/2009 | Elmore et al. | 2012/0015654 | A1 | 1/2012 | Palanki et al. |
| 2009/0286482 | A1 | 11/2009 | Gorokhov et al. | 2012/0039366 | A1 | 2/2012 | Wood et al. |
| 2009/0311960 | A1 | 12/2009 | Farahani et al. | 2012/0046891 | A1 | 2/2012 | Yaney et al. |
| 2009/0315668 | A1 | 12/2009 | Leete, III et al. | 2012/0068903 | A1 | 3/2012 | Thevenard et al. |
| 2009/0325479 | A1 | 12/2009 | Chakrabarti et al. | 2012/0077485 | A1 | 3/2012 | Shin et al. |
| 2009/0325628 | A1 | 12/2009 | Becker et al. | 2012/0078452 | A1 | 3/2012 | Daum et al. |
| 2010/0002618 | A1 | 1/2010 | Eichinger et al. | 2012/0084807 | A1 | 4/2012 | Thompson et al. |
| 2010/0002731 | A1 | 1/2010 | Kimura et al. | 2012/0091820 | A1 | 4/2012 | Campanella et al. |
| 2010/0026607 | A1 | 2/2010 | Imai et al. | 2012/0092161 | A1 | 4/2012 | West et al. |
| 2010/0039339 | A1 | 2/2010 | Kuroda et al. | 2012/0093078 | A1 | 4/2012 | Perlman et al. |
| 2010/0045447 | A1 | 2/2010 | Mollenkopf et al. | 2012/0102568 | A1 | 4/2012 | Tarbotton et al. |
| 2010/0052799 | A1 | 3/2010 | Watanabe et al. | 2012/0105246 | A1 | 5/2012 | Sexton et al. |
| 2010/0053019 | A1 | 3/2010 | Ikawa et al. | 2012/0117584 | A1 | 5/2012 | Gordon |
| 2010/0057894 | A1 | 3/2010 | Glasser | 2012/0129566 | A1 | 5/2012 | Lee et al. |
| 2010/0080203 | A1 | 4/2010 | Reynolds et al. | 2012/0133373 | A1 | 5/2012 | Ali et al. |
| 2010/0085036 | A1 | 4/2010 | Banting et al. | 2012/0144420 | A1 | 6/2012 | Del Sordo et al. |
| 2010/0090887 | A1 | 4/2010 | Cooper et al. | 2012/0153087 | A1 | 6/2012 | Collette et al. |
| 2010/0100918 | A1 | 4/2010 | Egan, Jr. et al. | 2012/0154239 | A1 | 6/2012 | Bar-Sade et al. |
| 2010/0111521 | A1 | 5/2010 | Kim et al. | 2012/0161543 | A1 | 6/2012 | Reuven et al. |
| 2010/0119234 | A1 | 5/2010 | Suematsu et al. | 2012/0181258 | A1 | 7/2012 | Shan et al. |
| 2010/0121945 | A1 | 5/2010 | Gerber et al. | 2012/0197558 | A1 | 8/2012 | Henig et al. |
| 2010/0150215 | A1 | 6/2010 | Black et al. | 2012/0201145 | A1 | 8/2012 | Ree et al. |
| 2010/0153990 | A1 | 6/2010 | Ress et al. | 2012/0214538 | A1 | 8/2012 | Kim et al. |
| 2010/0169937 | A1 | 7/2010 | Atwal et al. | 2012/0224807 | A1 | 9/2012 | Winzer et al. |
| 2010/0175080 | A1 | 7/2010 | Yuen et al. | 2012/0226394 | A1 | 9/2012 | Marcus et al. |
| 2010/0176894 | A1 | 7/2010 | Tahara et al. | 2012/0235864 | A1 | 9/2012 | Lu et al. |
| 2010/0177894 | A1 | 7/2010 | Yasuma et al. | 2012/0250534 | A1 | 10/2012 | Langer et al. |
| 2010/0185614 | A1 | 7/2010 | O'Brien et al. | 2012/0250752 | A1 | 10/2012 | McHann et al. |
| 2010/0201313 | A1 | 8/2010 | Vorenkamp et al. | 2012/0263152 | A1 | 10/2012 | Fischer et al. |
| 2010/0214183 | A1 | 8/2010 | Stoneback et al. | 2012/0268340 | A1 | 10/2012 | Capozzoli et al. |
| 2010/0214185 | A1 | 8/2010 | Sammoura et al. | 2012/0272741 | A1 | 11/2012 | Xiao et al. |
| 2010/0224732 | A1 | 9/2010 | Olson et al. | 2012/0274528 | A1 | 11/2012 | McMahon et al. |
| 2010/0225426 | A1 | 9/2010 | Unger et al. | 2012/0287922 | A1 | 11/2012 | Heck et al. |
| 2010/0232539 | A1 | 9/2010 | Han et al. | 2012/0299671 | A1 | 11/2012 | Ikeda et al. |
| 2010/0243633 | A1 | 9/2010 | Huynh et al. | 2012/0304294 | A1 | 11/2012 | Fujiwara et al. |
| 2010/0253450 | A1 | 10/2010 | Kim et al. | 2012/0306587 | A1 | 12/2012 | Strid et al. |
| 2010/0265877 | A1 | 10/2010 | Foxworthy et al. | 2012/0306708 | A1 | 12/2012 | Henderson et al. |
| 2010/0266063 | A1 | 10/2010 | Harel et al. | 2012/0322492 | A1 | 12/2012 | Koo et al. |
| 2010/0283693 | A1 | 11/2010 | Xie et al. | 2012/0324018 | A1 | 12/2012 | Metcalf et al. |
| 2010/0284446 | A1 | 11/2010 | Mu et al. | 2012/0327908 | A1 | 12/2012 | Gupta et al. |
| 2010/0319068 | A1 | 12/2010 | Abbadessa et al. | 2012/0329523 | A1 | 12/2012 | Stewart et al. |
| 2010/0327880 | A1 | 12/2010 | Stein et al. | 2012/0330756 | A1 | 12/2012 | Morris et al. |
| | | | | 2013/0002409 | A1 | 1/2013 | Molina et al. |
| | | | | 2013/0003876 | A1 | 1/2013 | Bennett |
| | | | | 2013/0010679 | A1 | 1/2013 | Ma et al. |
| | | | | 2013/0015922 | A1 | 1/2013 | Liu et al. |

(56)

References Cited

U.S. PATENT DOCUMENTS

| | | | | | | | |
|--------------|----|---------|-------------------|--------------|----|---------|------------------------|
| 2013/0016022 | A1 | 1/2013 | Heiks et al. | 2014/0132728 | A1 | 5/2014 | Verano et al. |
| 2013/0039624 | A1 | 2/2013 | Scherer et al. | 2014/0139375 | A1 | 5/2014 | Faragher et al. |
| 2013/0064178 | A1 | 3/2013 | Cs et al. | 2014/0143055 | A1 | 5/2014 | Johnson |
| 2013/0064311 | A1 | 3/2013 | Turner et al. | 2014/0155054 | A1 | 6/2014 | Henry et al. |
| 2013/0070621 | A1 | 3/2013 | Marzetta et al. | 2014/0165145 | A1 | 6/2014 | Baentsch et al. |
| 2013/0077664 | A1 | 3/2013 | Lee et al. | 2014/0169186 | A1 | 6/2014 | Zhu et al. |
| 2013/0080290 | A1 | 3/2013 | Kamm | 2014/0179302 | A1 | 6/2014 | Polehn et al. |
| 2013/0086639 | A1 | 4/2013 | Sondhi et al. | 2014/0189677 | A1 | 7/2014 | Curzi et al. |
| 2013/0093638 | A1 | 4/2013 | Shoemaker et al. | 2014/0189732 | A1 | 7/2014 | Shkedi et al. |
| 2013/0095875 | A1 | 4/2013 | Reuven et al. | 2014/0204754 | A1 | 7/2014 | Jeong et al. |
| 2013/0108206 | A1 | 5/2013 | Sasaoka et al. | 2014/0207844 | A1 | 7/2014 | Mayo et al. |
| 2013/0109317 | A1 | 5/2013 | Kikuchi et al. | 2014/0208272 | A1 | 7/2014 | Vats et al. |
| 2013/0117852 | A1 | 5/2013 | Stute et al. | 2014/0222997 | A1 | 8/2014 | Mermoud et al. |
| 2013/0122828 | A1 | 5/2013 | Choi et al. | 2014/0223527 | A1 | 8/2014 | Bortz et al. |
| 2013/0124365 | A1 | 5/2013 | Pradeep | 2014/0225129 | A1 | 8/2014 | Inoue et al. |
| 2013/0127678 | A1 | 5/2013 | Chandler et al. | 2014/0227905 | A1 | 8/2014 | Knott et al. |
| 2013/0136410 | A1 | 5/2013 | Sasaoka et al. | 2014/0227966 | A1 | 8/2014 | Artemenko et al. |
| 2013/0144750 | A1 | 6/2013 | Brown | 2014/0233900 | A1 | 8/2014 | Hugonnot et al. |
| 2013/0159856 | A1 | 6/2013 | Ferren | 2014/0241718 | A1 | 8/2014 | Jiang et al. |
| 2013/0160122 | A1 | 6/2013 | Choi et al. | 2014/0254516 | A1 | 9/2014 | Lee et al. |
| 2013/0162490 | A1 | 6/2013 | Blech et al. | 2014/0254896 | A1 | 9/2014 | Zhou et al. |
| 2013/0166690 | A1 | 6/2013 | Shatzkamer et al. | 2014/0254979 | A1 | 9/2014 | Zhang et al. |
| 2013/0169499 | A1 | 7/2013 | Lin et al. | 2014/0266946 | A1 | 9/2014 | Stevenson et al. |
| 2013/0173807 | A1 | 7/2013 | De, Groot et al. | 2014/0269260 | A1 | 9/2014 | Xue et al. |
| 2013/0182804 | A1 | 7/2013 | Yutaka et al. | 2014/0269972 | A1 | 9/2014 | Rada et al. |
| 2013/0187636 | A1 | 7/2013 | Kast et al. | 2014/0285277 | A1 | 9/2014 | Herbsommer et al. |
| 2013/0201904 | A1 | 8/2013 | Toskala et al. | 2014/0285293 | A1 | 9/2014 | Schuppener et al. |
| 2013/0207859 | A1 | 8/2013 | Legay et al. | 2014/0285389 | A1 | 9/2014 | Fakharzadeh et al. |
| 2013/0234904 | A1 | 9/2013 | Blech et al. | 2014/0286189 | A1 | 9/2014 | Kang et al. |
| 2013/0235845 | A1 | 9/2013 | Kovvali et al. | 2014/0287702 | A1 | 9/2014 | Schuppener et al. |
| 2013/0235871 | A1 | 9/2013 | Brzozowski et al. | 2014/0299349 | A1 | 10/2014 | Yamaguchi et al. |
| 2013/0262656 | A1 | 10/2013 | Cao et al. | 2014/0304498 | A1 | 10/2014 | Gonuguntla et al. |
| 2013/0262857 | A1 | 10/2013 | Neuman et al. | 2014/0317229 | A1 | 10/2014 | Hughes et al. |
| 2013/0263263 | A1 | 10/2013 | Narkolayev et al. | 2014/0320364 | A1 | 10/2014 | Gu et al. |
| 2013/0265732 | A1 | 10/2013 | Herbsommer et al. | 2014/0334773 | A1 | 11/2014 | Mathai et al. |
| 2013/0279523 | A1 | 10/2013 | Denney et al. | 2014/0334789 | A1 | 11/2014 | Matsuo et al. |
| 2013/0279561 | A1 | 10/2013 | Jin et al. | 2014/0351571 | A1 | 11/2014 | Jacobs |
| 2013/0279868 | A1 | 10/2013 | Zhang et al. | 2014/0355525 | A1 | 12/2014 | Barzegar et al. |
| 2013/0305369 | A1 | 11/2013 | Karta et al. | 2014/0355989 | A1 | 12/2014 | Finkelstein |
| 2013/0306351 | A1 | 11/2013 | Lambert et al. | 2014/0357269 | A1 | 12/2014 | Zhou et al. |
| 2013/0311661 | A1 | 11/2013 | McPhee | 2014/0359275 | A1 | 12/2014 | Murugesan et al. |
| 2013/0314182 | A1 | 11/2013 | Takeda et al. | 2014/0362374 | A1 | 12/2014 | Santori |
| 2013/0321225 | A1 | 12/2013 | Pettus et al. | 2014/0362694 | A1 | 12/2014 | Rodriques |
| 2013/0326063 | A1 | 12/2013 | Burch et al. | 2014/0369430 | A1 | 12/2014 | Parnell |
| 2013/0326494 | A1 | 12/2013 | Nunez et al. | 2014/0373053 | A1 | 12/2014 | Leley et al. |
| 2013/0330050 | A1 | 12/2013 | Yang et al. | 2014/0376655 | A1 | 12/2014 | Ruan et al. |
| 2013/0335165 | A1 | 12/2013 | Arnold et al. | 2015/0008996 | A1 | 1/2015 | Jessup et al. |
| 2013/0341094 | A1 | 12/2013 | Taherian et al. | 2015/0009089 | A1 | 1/2015 | Pesa |
| 2013/0343213 | A1 | 12/2013 | Reynolds et al. | 2015/0017473 | A1 | 1/2015 | Verhoeven et al. |
| 2013/0343351 | A1 | 12/2013 | Sambhwani et al. | 2015/0022399 | A1 | 1/2015 | Clymer et al. |
| 2014/0003394 | A1 | 1/2014 | Rubin et al. | 2015/0026460 | A1 | 1/2015 | Walton |
| 2014/0003775 | A1 | 1/2014 | Ko et al. | 2015/0029065 | A1 | 1/2015 | Cheng |
| 2014/0007076 | A1 | 1/2014 | Kim et al. | 2015/0036610 | A1 | 2/2015 | Kim et al. |
| 2014/0009270 | A1 | 1/2014 | Yamazaki et al. | 2015/0042526 | A1 | 2/2015 | Zeine |
| 2014/0009822 | A1 | 1/2014 | Dong et al. | 2015/0048238 | A1 | 2/2015 | Kawai |
| 2014/0015705 | A1 | 1/2014 | Ebihara et al. | 2015/0061859 | A1 | 3/2015 | Matsuoka et al. |
| 2014/0019576 | A1 | 1/2014 | Lobo et al. | 2015/0065166 | A1 | 3/2015 | Ward et al. |
| 2014/0026170 | A1 | 1/2014 | Francisco et al. | 2015/0071594 | A1 | 3/2015 | Register |
| 2014/0028184 | A1 | 1/2014 | Voronin et al. | 2015/0077740 | A1 | 3/2015 | Fuse |
| 2014/0028190 | A1 | 1/2014 | Voronin et al. | 2015/0084703 | A1 | 3/2015 | Sanduleanu |
| 2014/0028532 | A1 | 1/2014 | Ehrenberg et al. | 2015/0084814 | A1 | 3/2015 | Rojanski et al. |
| 2014/0032005 | A1 | 1/2014 | Iwamura | 2015/0091650 | A1 | 4/2015 | Nobbe |
| 2014/0041925 | A1 | 2/2014 | Siripurapu et al. | 2015/0099555 | A1 | 4/2015 | Krishnaswamy et al. |
| 2014/0043189 | A1 | 2/2014 | Lee et al. | 2015/0102972 | A1 | 4/2015 | Scire-Scappuzzo et al. |
| 2014/0043977 | A1 | 2/2014 | Wiley et al. | 2015/0104005 | A1 | 4/2015 | Holman |
| 2014/0044139 | A1 | 2/2014 | Dong et al. | 2015/0109178 | A1 | 4/2015 | Hyde et al. |
| 2014/0052810 | A1 | 2/2014 | Osorio et al. | 2015/0116154 | A1 | 4/2015 | Artemenko |
| 2014/0071818 | A1 | 3/2014 | Wang et al. | 2015/0122886 | A1 | 5/2015 | Koch |
| 2014/0072299 | A1 | 3/2014 | Stapleton et al. | 2015/0126107 | A1 | 5/2015 | Bennett et al. |
| 2014/0077995 | A1 | 3/2014 | Artemenko et al. | 2015/0130675 | A1 | 5/2015 | Parsche |
| 2014/0086080 | A1 | 3/2014 | Hui et al. | 2015/0138022 | A1 | 5/2015 | Takahashi |
| 2014/0086152 | A1 | 3/2014 | Bontu et al. | 2015/0153248 | A1 | 6/2015 | Hayward et al. |
| 2014/0124236 | A1 | 5/2014 | Vu et al. | 2015/0156266 | A1 | 6/2015 | Gupta |
| 2014/0126914 | A1 | 5/2014 | Berlin et al. | 2015/0162988 | A1 | 6/2015 | Henry et al. |
| 2014/0130111 | A1 | 5/2014 | Nulty et al. | 2015/0172036 | A1 | 6/2015 | Katar et al. |
| | | | | 2015/0181449 | A1 | 6/2015 | Didenko et al. |
| | | | | 2015/0195349 | A1 | 7/2015 | Cardamore |
| | | | | 2015/0195719 | A1 | 7/2015 | Rahman |
| | | | | 2015/0201228 | A1 | 7/2015 | Hasek |

(56)

References Cited

U.S. PATENT DOCUMENTS

2015/0207527 A1 7/2015 Eliaz et al.
 2015/0215268 A1 7/2015 Dinha
 2015/0223078 A1 8/2015 Bennett et al.
 2015/0236778 A1 8/2015 Jalali
 2015/0236779 A1 8/2015 Jalali
 2015/0249965 A1 9/2015 Dussmann et al.
 2015/0271830 A1 9/2015 Shin et al.
 2015/0276577 A1 10/2015 Ruege et al.
 2015/0284079 A1 10/2015 Matsuda
 2015/0304045 A1 10/2015 Henry et al.
 2015/0304869 A1 10/2015 Johnson et al.
 2015/0312774 A1 10/2015 Lau
 2015/0318610 A1 11/2015 Lee et al.
 2015/0326274 A1 11/2015 Flood
 2015/0333804 A1 11/2015 Yang et al.
 2015/0339912 A1 11/2015 Farrand et al.
 2015/0344136 A1 12/2015 Dahlstrom
 2015/0356482 A1 12/2015 Whipple et al.
 2015/0370251 A1 12/2015 Siegel et al.
 2015/0373557 A1 12/2015 Bennett et al.
 2016/0006129 A1 1/2016 Haziza
 2016/0014749 A1 1/2016 Kang et al.
 2016/0038074 A1 2/2016 Brown et al.
 2016/0050028 A1 2/2016 Henry et al.
 2016/0063642 A1 3/2016 Luciani et al.
 2016/0064794 A1 3/2016 Henry et al.
 2016/0065252 A1 3/2016 Preschutti
 2016/0065335 A1 3/2016 Koo et al.
 2016/0068265 A1 3/2016 Hoareau et al.
 2016/0068277 A1 3/2016 Manitta
 2016/0069934 A1 3/2016 Saxby et al.
 2016/0069935 A1 3/2016 Kreikebaum et al.
 2016/0070265 A1 3/2016 Liu et al.
 2016/0079769 A1 3/2016 Corum et al.
 2016/0079809 A1 3/2016 Corum et al.
 2016/0080035 A1 3/2016 Fuchs et al.
 2016/0080839 A1 3/2016 Fuchs et al.
 2016/0082460 A1 3/2016 McMaster et al.
 2016/0088498 A1 3/2016 Sharawi
 2016/0094879 A1 3/2016 Gerszberg et al.
 2016/0099749 A1 4/2016 Bennett et al.
 2016/0100324 A1 4/2016 Henry et al.
 2016/0105218 A1 4/2016 Henry
 2016/0105233 A1 4/2016 Jalali
 2016/0105239 A1 4/2016 Henry et al.
 2016/0105255 A1 4/2016 Henry et al.
 2016/0112092 A1 4/2016 Henry et al.
 2016/0112093 A1 4/2016 Barzegar
 2016/0112094 A1 4/2016 Stuckman et al.
 2016/0112115 A1 4/2016 Henry et al.
 2016/0112132 A1 4/2016 Henry et al.
 2016/0112133 A1 4/2016 Henry et al.
 2016/0112135 A1 4/2016 Henry et al.
 2016/0112263 A1 4/2016 Henry et al.
 2016/0116914 A1 4/2016 Mucci
 2016/0137311 A1 5/2016 Peverill et al.
 2016/0149312 A1 5/2016 Henry et al.
 2016/0149614 A1 5/2016 Barzegar
 2016/0149636 A1 5/2016 Gerszberg et al.
 2016/0149665 A1 5/2016 Henry et al.
 2016/0149731 A1 5/2016 Henry et al.
 2016/0149753 A1 5/2016 Gerszberg et al.
 2016/0150427 A1 5/2016 Ramanath
 2016/0164571 A1 6/2016 Bennett et al.
 2016/0164573 A1 6/2016 Birk et al.
 2016/0181701 A1 6/2016 Sangaran et al.
 2016/0182161 A1 6/2016 Barzegar
 2016/0182981 A1 6/2016 Minarik et al.
 2016/0189101 A1 6/2016 Kantor et al.
 2016/0197392 A1 7/2016 Henry et al.
 2016/0197409 A1 7/2016 Henry et al.
 2016/0197630 A1 7/2016 Kawasaki
 2016/0197642 A1 7/2016 Henry et al.
 2016/0207627 A1 7/2016 Hoareau et al.
 2016/0214717 A1 7/2016 De Silva

2016/0218407 A1 7/2016 Henry et al.
 2016/0221039 A1 8/2016 Fuchs et al.
 2016/0244165 A1 8/2016 Patrick et al.
 2016/0248165 A1 8/2016 Henry
 2016/0248509 A1 8/2016 Henry
 2016/0261309 A1 9/2016 Henry
 2016/0261310 A1 9/2016 Fuchs et al.
 2016/0261311 A1 9/2016 Henry et al.
 2016/0261312 A1 9/2016 Fuchs et al.
 2016/0269156 A1 9/2016 Barzegar et al.
 2016/0276725 A1 9/2016 Barnickel et al.
 2016/0278094 A1 9/2016 Henry et al.
 2016/0285508 A1 9/2016 Bennett et al.
 2016/0285512 A1 9/2016 Henry et al.
 2016/0294444 A1 10/2016 Gerszberg et al.
 2016/0294517 A1 10/2016 Barzegar et al.
 2016/0295431 A1 10/2016 Henry et al.

FOREIGN PATENT DOCUMENTS

AU 2010101079 A4 11/2010
 AU 201400748 3/2014
 AU 2014200748 A1 3/2014
 CA 1136267 A1 11/1982
 CA 1328009 C 3/1994
 CA 2449596 A1 6/2005
 CA 2515560 A1 2/2007
 CA 2467988 C 11/2010
 CA 2777147 A1 4/2011
 CA 2787580 A1 2/2013
 CM 103163881 A 6/2013
 CN 1833397 A 9/2006
 CN 1885736 A 12/2006
 CN 201146495 Y 11/2008
 CN 100502181 C 6/2009
 CN 201282193 Y 7/2009
 CN 101834011 U 4/2010
 CN 1823275 B 5/2010
 CN 1820482 B 12/2010
 CN 102130698 A 7/2011
 CN 102136634 A 7/2011
 CN 102208716 A 10/2011
 CN 102280704 A 12/2011
 CN 202093126 U 12/2011
 CN 102351415 A 2/2012
 CN 202253536 U 5/2012
 CN 102694351 A 9/2012
 CN 101662076 B 11/2012
 CN 103078673 A 5/2013
 CN 103117118 A 5/2013
 CN 203204743 U 9/2013
 CN 103700442 12/2013
 CN 103700442 A 4/2014
 CN 103943925 A 7/2014
 CN 104052742 A 9/2014
 CN 203813973 U 9/2014
 CN 104091987 A 10/2014
 CN 203931626 U 11/2014
 CN 203950607 U 11/2014
 CN 205265924 1/2016
 CN 105453340 3/2016
 CN 105594138 A 5/2016
 DE 3504546 A1 8/1986
 DE 3827956 A1 3/1989
 DE 102007049914 A1 4/2009
 DE 102012203816 A1 9/2013
 EP 0110478 6/1984
 EP 0136818 4/1985
 EP 0280379 8/1988
 EP 0330303 8/1989
 EP 0331248 9/1989
 EP 0342149 11/1989
 EP 0391719 4/1990
 EP 425979 A2 5/1991
 EP 0651487 10/1994
 EP 0371660 4/1996
 EP 0756392 1/1997
 EP 834722 A2 4/1998
 EP 0840464 5/1998

(56)

References Cited

FOREIGN PATENT DOCUMENTS

| | | | | | | | |
|----|-----------------|----|---------|----|-------------|----|---------|
| EP | 0871241 | B1 | 10/1998 | JP | 55124303 | U | 9/1980 |
| EP | 0890132 | | 1/1999 | JP | 55138902 | U | 10/1980 |
| EP | 755092 | A3 | 4/1999 | JP | 574601 | | 1/1982 |
| EP | 0896380 | | 10/1999 | JP | 61260702 | A | 11/1986 |
| EP | 1085599 | A2 | 3/2001 | JP | 03167906 | A | 7/1991 |
| EP | 0756786 | | 8/2001 | JP | 0653894 | | 8/1991 |
| EP | 1127283 | A1 | 8/2001 | JP | 3001844 | U | 9/1994 |
| EP | 1129550 | A1 | 9/2001 | JP | 08167810 | A | 6/1996 |
| EP | 1184930 | A1 | 3/2002 | JP | 08196022 | A | 7/1996 |
| EP | 1195847 | A2 | 4/2002 | JP | 08316918 | A | 11/1996 |
| EP | 1237303 | A2 | 9/2002 | JP | 2639531 | B2 | 8/1997 |
| EP | 1296146 | A1 | 3/2003 | JP | 11239085 | A | 8/1999 |
| EP | 0772061 | | 7/2003 | JP | 11313022 | A | 11/1999 |
| EP | 1346431 | A1 | 9/2003 | JP | 2000077889 | A | 3/2000 |
| EP | 1249056 | B1 | 1/2004 | JP | 2002029247 | A | 1/2002 |
| EP | 1376755 | A1 | 1/2004 | JP | 2003008336 | A | 1/2003 |
| EP | 1401048 | A1 | 3/2004 | JP | 2003057464 | A | 2/2003 |
| EP | 1454422 | A1 | 9/2004 | JP | 3411428 | B2 | 6/2003 |
| EP | 1488397 | A1 | 12/2004 | JP | 2003324309 | A | 11/2003 |
| EP | 1371108 | B1 | 6/2005 | JP | 3480153 | B2 | 12/2003 |
| EP | 1550327 | A2 | 7/2005 | JP | 2004521379 | A | 7/2004 |
| EP | 1341255 | B7 | 8/2005 | JP | 2004253853 | A | 9/2004 |
| EP | 1577687 | A1 | 9/2005 | JP | 2004297107 | A | 10/2004 |
| EP | 1624685 | A2 | 2/2006 | JP | 3734975 | B2 | 1/2006 |
| EP | 1642468 | A2 | 4/2006 | JP | 2006153878 | A | 6/2006 |
| EP | 1608110 | B1 | 10/2006 | JP | 2006166399 | A | 6/2006 |
| EP | 1793508 | A1 | 6/2007 | JP | 2007259001 | A | 10/2007 |
| EP | 1898532 | A2 | 3/2008 | JP | 2008021483 | A | 1/2008 |
| EP | 1930982 | A1 | 6/2008 | JP | 4072280 | B2 | 4/2008 |
| EP | 2165550 | A1 | 3/2010 | JP | 2009004986 | A | 1/2009 |
| EP | 1166599 | B1 | 5/2010 | JP | 2009124229 | A | 6/2009 |
| EP | 2404347 | A2 | 1/2012 | JP | 2010192992 | A | 9/2010 |
| EP | 2472671 | A1 | 7/2012 | JP | 2012090242 | A | 5/2012 |
| EP | 2568528 | A2 | 3/2013 | JP | 2012205104 | A | 10/2012 |
| EP | 2472737 | B1 | 9/2013 | JP | 2013046412 | A | 3/2013 |
| EP | 2854361 | A1 | 4/2015 | JP | 2013110503 | A | 6/2013 |
| EP | 2870802 | A1 | 5/2015 | JP | 2014045237 | A | 3/2014 |
| FR | 2119804 | A1 | 8/1972 | JP | 5475475 | B2 | 4/2014 |
| FR | 2214161 | A1 | 8/1974 | JP | 5497348 | B2 | 5/2014 |
| FR | 2691602 | A1 | 11/1993 | JP | 2015188174 | | 10/2015 |
| FR | 2849728 | A1 | 7/2004 | KR | 20000074034 | | 12/2000 |
| GB | 175489 | A | 2/1922 | KR | 200425873 | Y1 | 9/2006 |
| GB | 462804 | A | 3/1937 | KR | 101060584 | B1 | 8/2011 |
| GB | 529290 | A | 11/1940 | KR | 101070364 | B1 | 9/2011 |
| GB | 640181 | A | 7/1950 | KR | 101212354 | B1 | 12/2012 |
| GB | 663166 | A | 12/1951 | KR | 20140104097 | A | 8/2014 |
| GB | 667290 | A | 2/1952 | KR | 101447809 | B1 | 10/2014 |
| GB | 682817 | A | 11/1952 | KR | 2015/055230 | | 4/2015 |
| GB | 731473 | A | 6/1955 | KR | 20150087455 | | 7/2015 |
| GB | 746111 | A | 3/1956 | KR | 200479199 | Y1 | 12/2015 |
| GB | 751153 | A | 6/1956 | KR | 101606803 | | 1/2016 |
| GB | 835976 | A | 6/1960 | RU | 2129746 | C1 | 4/1999 |
| GB | 845492 | A | 8/1960 | RU | 2432647 | C1 | 10/2011 |
| GB | 993561 | A | 5/1965 | WO | 8301711 | A1 | 5/1983 |
| GB | 1076772 | A | 7/1967 | WO | 9210014 | | 6/1992 |
| GB | 1141390 | A | 1/1969 | WO | 9323928 | | 11/1993 |
| GB | 1298387 | A | 11/1972 | WO | 9424467 | A1 | 10/1994 |
| GB | 1383549 | A | 2/1974 | WO | 9529537 | | 11/1995 |
| GB | 1422956 | A | 1/1976 | WO | 9529537 | A1 | 11/1995 |
| GB | 1468310 | A | 3/1977 | WO | 9619089 | | 6/1996 |
| GB | 1527228 | A | 10/1978 | WO | 96/41157 | | 12/1996 |
| GB | 2010528 | A | 6/1979 | WO | 9735387 | A1 | 9/1997 |
| GB | 2045055 | A | 10/1980 | WO | 9737445 | A1 | 10/1997 |
| GB | 2368468 | A | 5/2002 | WO | 9829853 | A1 | 7/1998 |
| GB | 2393370 | A | 3/2004 | WO | 98/57207 | | 12/1998 |
| GB | 2414862 | A | 12/2005 | WO | 9859254 | A1 | 12/1998 |
| GB | 2411554 | B | 1/2006 | WO | 9948230 | A1 | 9/1999 |
| GB | 714974 | | 9/2007 | WO | 9967903 | A1 | 12/1999 |
| GB | 718597 | | 10/2007 | WO | 0070891 | A1 | 11/2000 |
| GB | 2474037 | A | 4/2011 | WO | 00/74428 | A1 | 12/2000 |
| GB | 2485355 | A | 5/2012 | WO | WO0114985 | A1 | 3/2001 |
| GB | 2507269 | A | 4/2014 | WO | 0145206 | A1 | 6/2001 |
| IN | 7352/CHENP/2015 | A | 7/2016 | WO | 0261467 | A2 | 8/2002 |
| IN | 201647015348 | A | 8/2016 | WO | 03026166 | | 3/2003 |
| JP | S50109642 | | 9/1975 | WO | 03044981 | A1 | 5/2003 |
| | | | | WO | 03088418 | | 10/2003 |
| | | | | WO | 03099740 | A1 | 12/2003 |
| | | | | WO | 2004011995 | A1 | 2/2004 |
| | | | | WO | 2004038891 | A2 | 5/2004 |

(56)

References Cited

FOREIGN PATENT DOCUMENTS

| | | |
|----|---------------|---------|
| WO | 2004/051804 | 6/2004 |
| WO | 2004051804 A1 | 6/2004 |
| WO | 2004054159 A2 | 6/2004 |
| WO | 2004077746 A1 | 9/2004 |
| WO | 2006012610 A2 | 2/2006 |
| WO | 2006085804 A1 | 8/2006 |
| WO | 2006116396 A2 | 11/2006 |
| WO | 2006125279 A1 | 11/2006 |
| WO | 2006050331 A3 | 3/2007 |
| WO | 2007031435 A1 | 3/2007 |
| WO | 2007071797 A1 | 6/2007 |
| WO | 2007148097 A2 | 12/2007 |
| WO | 2008003939 A1 | 1/2008 |
| WO | 2008070957 A1 | 6/2008 |
| WO | 2008117973 A1 | 10/2008 |
| WO | 2009014704 A1 | 1/2009 |
| WO | 2007098061 A3 | 2/2009 |
| WO | 2009035285 A2 | 3/2009 |
| WO | 2009090602 A1 | 7/2009 |
| WO | 2009123404 A4 | 10/2009 |
| WO | 2010017549 A1 | 2/2010 |
| WO | 2010147806 A1 | 12/2010 |
| WO | 2011032605 A1 | 3/2011 |
| WO | 2011137793 A1 | 11/2011 |
| WO | 2012/007831 | 1/2012 |
| WO | 2012038816 A1 | 3/2012 |
| WO | 2012172565 A1 | 12/2012 |
| WO | 2013013162 A2 | 1/2013 |
| WO | 2013/017822 | 2/2013 |
| WO | 2013/073548 | 5/2013 |
| WO | 2013073548 A1 | 5/2013 |
| WO | 2013035110 A2 | 6/2013 |
| WO | 2013100912 A1 | 7/2013 |
| WO | 2013115802 A1 | 8/2013 |
| WO | 2013123445 A1 | 8/2013 |
| WO | 2013/138627 | 9/2013 |
| WO | 2013136213 A1 | 9/2013 |
| WO | 2013138627 A1 | 9/2013 |
| WO | 2013157978 A1 | 10/2013 |
| WO | 2014/018434 | 1/2014 |
| WO | 2014011438 A1 | 1/2014 |
| WO | 2014018434 A2 | 1/2014 |
| WO | 2014/045236 | 3/2014 |
| WO | 2014065952 A1 | 5/2014 |
| WO | 2014069941 A1 | 5/2014 |
| WO | 2014099340 A2 | 6/2014 |
| WO | 2013076499 A3 | 7/2014 |
| WO | 2014128253 A1 | 8/2014 |
| WO | 2014145862 A2 | 9/2014 |
| WO | 2014197926 A1 | 12/2014 |
| WO | 2015002658 A1 | 1/2015 |
| WO | 2015006636 A1 | 1/2015 |
| WO | 2015027033 A1 | 2/2015 |
| WO | 2015035463 A1 | 3/2015 |
| WO | 2015052478 | 4/2015 |
| WO | 2015052480 | 4/2015 |
| WO | 2015069431 A2 | 5/2015 |
| WO | 2015077644 | 5/2015 |
| WO | 2015088650 A1 | 6/2015 |
| WO | 2016/012889 | 1/2016 |
| WO | 2016003291 A1 | 1/2016 |
| WO | 2016009402 A2 | 1/2016 |
| WO | 2016/043949 | 3/2016 |
| WO | 2016048214 A1 | 3/2016 |
| WO | 2016/064502 | 4/2016 |
| WO | 2016060761 A1 | 4/2016 |
| WO | 2016061021 A1 | 4/2016 |
| WO | 2016064505 A1 | 4/2016 |
| WO | 2016064516 A1 | 4/2016 |
| WO | 2016081125 | 5/2016 |
| WO | 2016081128 | 5/2016 |
| WO | 2016081134 | 5/2016 |
| WO | 2016081136 | 5/2016 |
| WO | 2015090382 | 6/2016 |
| WO | 2016089491 | 6/2016 |

| | | |
|----|---------------|--------|
| WO | 2016089492 A1 | 6/2016 |
| WO | 2016096029 A1 | 6/2016 |
| WO | 2016/125161 | 8/2016 |
| WO | 2016/133509 | 8/2016 |
| WO | 2016/137982 | 9/2016 |
| WO | 2016145411 | 9/2016 |

OTHER PUBLICATIONS

- International Search Report PCT/US2016/036292 mailed Sep. 13, 2016.
- PCT/US16/027397 International Search Report & Written Opinion mailed Jun. 24, 2016.
- PCT/US16/027398 International Search Report and Written Opinion mailed Jun. 24, 2016.
- PCT/US16/027403 International Search Report & Written Opinion mailed Jun. 22, 2016.
- PCT/US16/028395 International Search Report and Written Opinion mailed Jun. 29, 2016.
- PCT/US16/032441 International Search Report and Written Opinion mailed Jul. 29, 2016.
- PCT/US16/036284 International Search Report & Written Opinion mailed Sep. 8, 2016.
- PCT/US16/036388 International Search Report and Written Opinion mailed Aug. 30, 2016.
- PCT/US2016/036285 International Search Report and Written Opinion mailed Aug. 23, 2016.
- PCT/US2016/036288 International Search Report & Written Opinion mailed Sep. 1, 2016.
- PCT/US2016/036290 International Search Report & Written Opinion mailed Aug. 11, 2016.
- PCT/US2016/036293 International Search Report & Written Opinion mailed Sep. 15, 2016.
- <http://sdpm.arizona.edu/projects/project-public/upid/38a8cf3b42f35576de25de1f6dce20f3>, Discloses a project to harvest energy from a power line and that a device was built that clamps onto a power line., 2016.
- “Alternative Local Loop Technologies: A Review”, Organisation for Economic Co-Operation and Development Paris, OCDE/GD(96)181, <https://www.oecd.org/sti/2090965.pdf>, 1996.
- “Broadband Over Power Lines (BPL): Developments and Policy Issues”, Organisation for Economic Co-operation and Development, Directorate for Science, Technology and Industry, Committee for Information, Computer and Communications Policy, Jun. 2, 2009, 35 pages.
- “Broadband: Bringing Home the Bits: Chapter 4 Technology Options and Economic Factors”, The National Academies Press, nap.edu, 2002.
- “Delivering broadband over existing wiring”, Cabling Installation & Maintenance, cablinginstall.com, May 1, 2002.
- “Fast Numerical Modeling of a Conical Horns Lens Antenna”, Comsol, comsol.com, Application ID: 18695, Sep. 16, 2016.
- “Harvest energy from powerline”, <https://www.physicsforums.com/threads/harvest-energy-from-powerline.685148/>, Discussion thread about harvesting power from powerlines that includes the suggestion of clamping a device to the power line., 2013.
- “International Preliminary Report on Patentability” PCT/US2014/039746, Dec. 10, 2015.
- “International Preliminary Report on Patentability” PCT/US2014/060841, May 19, 2016 8 pages.
- “International Preliminary Report on Patentability & Written Opinion” PCT/US2014/061445, Jun. 23, 2016 9 pages.
- “International Search Report & Written Opinion” PCT/US2015/034827, Sep. 30, 2015.
- “International Search Report & Written Opinion” PCT/US2015/056316 Jan. 21, 2016.
- “International Search Report & Written Opinion” PCT/US2015/056320, Jan. 29, 2016.
- “International Search Report & Written Opinion” PCT/US2015/056365, Jan. 22, 2016.
- “International Search Report & Written Opinion” PCT/US2015/056368, Jan. 25, 2016.

(56)

References Cited

OTHER PUBLICATIONS

- “International Search Report & Written Opinion” PCT/US2015/056598, Jan. 28, 2016.
- “International Search Report & Written Opinion” PCT/US2015/056615 Jan. 21, 2016.
- “International Search Report & Written Opinion” PCT/US2015/056626, Jan. 21, 2016.
- “International Search Report & Written Opinion” PCT/US2015/056632, Jan. 26, 2016.
- “International Search Report & Written Opinion” PCT/US2016/013988, Apr. 8, 2016.
- “International Search Report & Written Opinion” PCT/US2016/036286.
- “International Search Report & Written Opinion” PCT/US2016/020001, May 23, 2016.
- “International Search Report & Written Opinion” PCT/US2016/026860, Jun. 1, 2016.
- “International Search Report & Written Opinion” PCT/US2016/026318, Jun. 15, 2016.
- “International Search Report & Written Opinion” PCT/US2016/028412, Jun. 27, 2016.
- “International Search Report & Written Opinion” PCT/US2016/028206, Jun. 29, 2016.
- “International Search Report & Written Opinion” PCT/US16/033182, Jul. 12, 2016.
- “International Search Report & Written Opinion” PCT/US2016/036551, Aug. 11, 2016.
- “International Search Report & Written Opinion” PCT/US2016/036798, Aug. 11, 2016.
- “International Search Report & Written Opinion” PCT/US2016/028205, Aug. 16, 2016.
- “International Search Report & Written Opinion” PCT/US2016/032460, Aug. 17, 2016.
- “International Search Report & Written Opinion” PCT/US2016/036303, Aug. 24, 2016.
- “International Search Report & Written Opinion” PCT/2016/035383, Sep. 2, 2016.
- “International Search Report & Written Opinion” PCT/US2014/039746, Jan. 12, 2015.
- “International Search Report & Written Opinion” PCT/US2014/060841, Jan. 7, 2015.
- “International Search Report & Written Opinion” PCT/US2015/039848, Oct. 20, 2015.
- “International Search Report & Written Opinion” PCT/US2015/047315 Oct. 30, 2015.
- “International Search Report & Written Opinion” PCT/US2015/048454, Nov. 11, 2015.
- “International Search Report & Written Opinion” PCT/US2015/049928, Nov. 16, 2015.
- “International Search Report & Written Opinion” PCT/US2015/049932, Nov. 16, 2015.
- “International Search Report & Written Opinion” PCT/US2015/049927, Nov. 24, 2015.
- “International Search Report & Written Opinion” PCT/US2015/051193, Nov. 27, 2015.
- “International Search Report & Written Opinion” PCT/US2015/051146, Dec. 15, 2015.
- “International Search Report & Written Opinion” PCT/US2015/051183, Dec. 15, 2015.
- “International Search Report & Written Opinion” PCT/US2015/051194, Dec. 15, 2015.
- “International Search Report & Written Opinion” PCT/US2015/051578, Dec. 17, 2015.
- “International Search Report & Written Opinion” PCT/US2015/051583, Dec. 21, 2015.
- “International Search Report & Written Opinion” PCT/US2015/048458, Dec. 23, 2015.
- “International Search Report & Written Opinion” PCT/US2015/051213, Dec. 4, 2015.
- “International Search Report & Written Opinion” PCT/US2015/051163, Dec. 7, 2015.
- “International Search Report & Written Opinion” PCT/US2014/061445, Feb. 10, 2015.
- “International Search Report & Written Opinion” PCT/US16/28207, Jun. 15, 2016.
- “International Search Report & Written Opinion” PCT/US2016/015501, Apr. 29, 2016 11 pages.
- “International Search Report & Written Opinion” PCT/US2015/047225, mailed Nov. 6, 2015 Nov. 6, 2015.
- “International Search Report and Written Opinion” PCT/US2016/028197, Jun. 24, 2016.
- “International Search Report and Written Opinion” PCT/US2016/036289, Aug. 11, 2016.
- “International Search Report and Written Opinion” PCT/US2016/036295, Aug. 30, 2016.
- “International Search Report and Written Opinion” PCT/US2016/030964, Aug. 4, 2016.
- “International Search Report and Written Opinion” PCT/US2016/036553, mailed Aug. 30, 2016 1-14.
- “International Search Report and Written opinion” PCT/US2016/036556, mailed Sep. 22, 2016.
- “International Searching Authority”, International Search Report and Written Opinion, Sep. 28, 2016 1-12.
- “Invitation to Pay Additional Fees & Partial Search Report” PCT/US2016/028205, Jun. 22, 2016.
- “Invitation to Pay Additional Fees & Partial Search Report” PCT/US2016/032430, Jun. 22, 2016.
- “Invitation to Pay Additional Fees and, Where Applicable Protest Fee” PCT/US2016/035384, Aug. 31, 2016 7 pages.
- “Lens Antennas”, Altair, feko.info, Jun. 30, 2014, 2 pages.
- “Micromem Demonstrates UAV Installation of Power Line Monitoring Mounting System”, MicroMem, micromem.com, Mar. 4, 2015 1-3.
- “PCT International Search Report & Written Opinion” PCT/US2016/026193, Jun. 1, 2016.
- “PCT Search Report and Written opinion” PCT/US2016/036297, Sep. 5, 2016.
- “Transducer”, IEEE Std 100-2000, Sep. 21, 2015 1154.
- “Troubleshooting Problems Affecting Radio Frequency Communication”, cisco.com, Oct. 19, 2009.
- “Waveguide Bragg Microcavity”, lumerical.com, Sep. 2016.
- Adabo, Geraldo J. , “Long Range Unmanned Aircraft System for Power Line Inspection of Brazilian Electrical System”, Journal of Energy and Power Engineering 8 (2014), Feb. 28, 2014, 394-398.
- Alam, M.N. et al., “Novel surface wave exciters for power line fault detection and communications.” Antennas and Propagation (APSURSI), 2011 IEEE International Symposium on. IEEE, 2011.
- Barlow, H. M. et al., “Surface Waves”, 621.396.11 : 538.566 Paper No. 1482 Radio Section, 1953pp. 329-341.
- Benevent, Evangéline , “Transmission lines in MMIC technology”, Università Mediterranea di Reggio Calabria, Jan. 28, 2010.
- Berweger, Samuel et al., “Light on the Tip of a Needle: Plasmonic Nanofocusing for Spectroscopy on the Nanoscale”, The Journal of Physical Chemistry Letters; pubs.acs.org/JPCLE, 2012, 945-952.
- Bing, Benny , “Ubiquitous Broadband Access Networks with Peer-to-Peer Application Support”, Evolving the Access Network, 2006, 27-36.
- Blattenberger, Kirt , “DroneBased Field Measurement System™ (dBFMS)™” RF Cafe, rfcafe.com, Jul. 29, 2014.
- Brambilla, Gilberto et al., “Ultra-low-loss optical fiber nanotapers”, Optoelectronics Research Centre, University of Southampton; http://www.orc.soton.ac.uk, vol. 12, No. 10, May 7, 2004, 2258-2263.
- Capecep. et al., “FDTD Analysis of a Circular Coaxial Feeder for Reflector Antenna”, Antennas and Propagation Society International Symposium, IEEE Digest, vol. 3, 1997pp. 1570-1573.
- Chandra, Shekar , “Transmission Line Fault Detection & Indication through GSM”, IRD India, ISSN (Online): 2347-2812, vol. 2, Iss. 5, 2014.
- Choudhury, Romit R. , “Utilizing Beamforming Antennas for Wireless Mult-hop Networks”, www.slideserve.com, Sep. 20, 2012.

(56)

References Cited

OTHER PUBLICATIONS

- Chu, Eunmi et al., Self-organizing and self-healing mechanisms in cooperative small cell networks. PIMRC. 2013.
- Cliff, Oliver M. et al., "Online localization of radio-tagged wildlife with an autonomous aerial robot system," Proceedings of Robotics Science and Systems XI (2015): 1317.
- Daniel, Kai et al., "Using Public Network Infrastructures for UAV Remote Sensing in Civilian Security Operations", Homeland Security Affairs, Supplement 3, Mar. 2011, 11 pages.
- De Freitas, Carvalho et al., "Unmanned Air Vehicle Based Localization and Range Estimation of WiFi Nodes." (2014).
- Deng, Chuang et al., "Unmanned Aerial Vehicles for Power Line Inspection: A Cooperative Way in Platforms and Communications", Journal of Comunicatinos vol. 9, No. 9, Sep. 2014, 687-692.
- Doshi, D.A. et al., "Real Time Fault Failure Detection in Power Distribution Line using Power Line Communication", International Journal of Engineering Science 4834, 2016.
- Elmore, Glenn et al., "A Surface Wave Transmission Line", QEX, May/June. 2012pp. 3-9.
- Erickson, Katherine, "Conductive cylindrical surface waveguides", 2012.
- Farzaneh, Masoud et al., "Systems for Prediction and Monitoring of Ice Shedding, Anti-Icing and De-Icing for Power Line Conductors and Ground Wires", Dec. 1, 2010, 1-100.
- Feng, Wei et al., Downlink power allocation for distributed antenna systems in a multi-cell environment. 2009 5th International Conference on Wireless Communications, Networking and Mobile Computing. IEEE, 2009.
- Fenn, Alan J. et al., "A Terrestrial Air Link for Evaluating Dual-Polarization Techniques in Satellite Communications", vol. 9, No. 1, The Lincoln Laboratory Journal, 1996, 3-18.
- Fitzgerald, William D., "A 35-GHz Beam Waveguide System for the Millimeter-Wave Radar", The Lincoln Laboratory Journal, vol. 5, No. 2, 1992, 245-272.
- Ford, Steven, "AT&T's new antenna system will boost cellular coverage at Walt Disney World. Orlando Sentinel, orlandosentinel.com, Mar. 9, 2014.
- Friedman, M et al., "Low-Loss RF Transport Over Long Distances", IEEE Transactions on Microwave Theory and Techniques, vol. 49, No. 2, Feb. 2001, 8 pages.
- Geterud, Erik, "Design and Optimization of Wideband Hat-Fed Reflector Antenna with Radome for Satellite Earth Station", <http://publications.lib.chalmers.se/records/fulltext/163718.pdf>, Discloses Frequency Selective Surfaces for antenna coverings for weather protection (table of materials on p. 29-30; pp. 37-46)., 2012.
- Gloeckler, R., "Phased Array for Millimeter Wave Frequencies", International Journal of Infrared and Millimeter Waves, Springer, vol. 11, No. 2, Feb. 1, 1990.
- Hadi, Ghazali S. et al., "Autonomous UAV System Development for Payload Dropping Mission", The Journal of Instrumentation, Automation and Systems, vol. 1, No. 2, 2014pp. 72-22.
- Haider, Muhammad Kumail et al., Mobility resilience and overhead constrained adaptation in directional 60 GHz WLANs: protocol design and system implementation. Proceedings of the 17th ACM International Symposium on Mobile Ad Hoc Networking and Computing. ACM, 2016., 2016.
- Hanashi, Abdalla M. et al., "Effect of the Dish Angle on the Wet Antenna Attenuation", IEEE, 2014, 1-4.
- Heo, Joon et al. "Identity-Based Mutual Device Authentication Schemes for PLC Systems", IEEE International Symposium on Power Line Communications and Its Applications, 2008pp. 47-51.
- Howard, Courtney, "UAV command, control & communications", Military & Aerospace Electronics, militaryaerospace.com, Jul. 11, 2013, 15 pages.
- James, J. R. et al. "Investigations and Comparisons of New Types of Millimetre-Wave Planar Arrays Using Microstrip and Dielectric Structures", Royal Military College of Science, Apr. 1985, 122 pages.
- Jones, Jr., Howard S., "Conformal and Small Antenna Designs", U.S. Army Electronics Research and Development Command, Harry Diamond Laboratories, Apr. 1981, 32 pages.
- Katrasnik, Jaka, "New Robot for Power Line Inspection", 2008 IEEE Conference on Robotics, Automation and Mechatronics, 2008, 1-6.
- Kima, Yi-Gon et al., "Generating and detecting torsional guided waves using magnetostrictive sensors of crossed coils", Chonnam National University, Republic of Korea, Elsevier Ltd, 2010.
- Kliros, George, "Dielectric-EBG covered conical antenna for UWB applications", https://www.researchgate.net/profile/George_Kliros/publication/235322849_Dielectric-EBG_covered_conical_antenna_for_UWB_applications/links/54329e410cf225bddec7c037.pdf, Disclosing a quasi-planar wideband conical antenna coated with alternating high- and low-permittivity dielectric spherical shells (Section 2; Figure 1 on the 3rd Page)., 2010.
- Kune, Denis F. et al., "Ghost Talk: Mitigating EMI Signal Injection Attacks against Analog Sensors", 2013 IEEE Symposium on Security and Privacy, 145-159.
- Laforte, J.L. et al., "State-of-the-art on power line de-icing", Atmospheric Research 46, 143-158, 1998.
- Lee, Joseph C., "A Compact Q-/K-Band Dual Frequency Feed Horn", No. TR-645, Massachusetts Institute of Technology, Lincoln Laboratory, May 3, 1983, 40 pages.
- Li, Xi et al., A FCM-Based peer grouping scheme for node failure recovery in wireless P2P file sharing. 2009 IEEE International Conference on Communications. IEEE, 2009.
- Liu, et al., a 25 Gb/s (/km²) urban wireless network beyond IMTAdvanced. IEEE Communications Magazine 49.2 (2011): 122-129.
- Matsukawa, et al., A dynamic channel assignment scheme for distributed antenna networks. Vehicular Technology Conference (VTC.Spring), 2012 IEEE 75th. IEEE, 2012.
- Meessen, A., "Production of EM Surface Waves by Superconducting Spheres: A New Type of Harmonic Oscillators" Progress in Electromagnetics Research Symposium Proceedings, Moscow, Russia, Aug. 19-23, 2012pp. 529-533.
- Miller, David A., "Establishing Optimal Wave Communication Channels Automatically", Journal of Lightwave Technology, vol. 31, No. 24, Dec. 15, 2013, 3987-3994.
- Mushref, Muhammad, "Matrix solution to electromagnetic scattering by a conducting cylinder with an eccentric metamaterial coating", <http://www.sciencedirect.com/science/article/pii/S0022247X06011450/pdf?md5=4823be0348a3771b5cec9ffb7f326c2c&pid=1-s2.0-S0022247X06011450-main.pdf>, Discloses controlling antenna radiation pattern with coatings, 2007.
- Nakano, Hisamatsu, "http://repo.lib.hosei.ac.jp/bitstream/10114/3835/1/31_TAP (Low-Profile).pdf", Discloses affecting radiation patterns with alternating high- and low-permittivity dielectric shell coatings and formulae for determining the results (Figures 2-5 on p. 1865)., 2000.
- Nikitin, A. Y. et al., "Efficient Coupling of Light to Graphene Plasmons by Compressing Surface Polaritons with Tapered Bulk Materials", NanoLetters; pubs.acs.org/NanoLett, Apr. 28, 2014, 2896-2901.
- Pato, et al., On building a distributed antenna system with joint signal processing for next generation wireless access networks: The FUTON approach. 7th Conference on Telecommunications/Portugal. 2008.
- Pike, Kevin J. et al., "A spectrometer designed for 6.7 and 14.1 T DNP-enhanced solid-state MAS NMR using quasi-optical microwave transmission", Journal of Magnetic Resonance, 2012, 9 pages.
- Ponchak, George E. et al., "A New Model for Broadband Waveguide to Microstrip Transition Design", NASA TM-88905, Dec. 1, 1986, 18 pgs.
- Rangan, Sundeep et al., "Millimeter-Wave Cellular Wireless Networks: Potentials and Challenges" Proceedings of the IEEE, vol. 102, No. 3, Mar. 2014, 366-385.
- Rangel, Rodrigo K. et al., "Sistema de Inspecao de Linhas de Transmissao de Energia Electrica Utilizando Veiculos Aereos Nao-Tripulados", Sep. 14-16, 2009, 1-9.

(56)

References Cited

OTHER PUBLICATIONS

- Ren-Bin, Zhong et al., "Surface plasmon wave propagation along single metal wire", *Chin. Phys. B*, vol. 21, No. 11, May 2, 2012, 9 pages.
- Rosenberg, Uwe et al., "A novel frequency-selective power combiner/divider in single-layer substrate integrated waveguide technology", *IEEE Microwave and Wireless Components Letters*, vol. 23, No. 8, Aug. 2013, 406-408.
- Scerripaul et al., "Geolocation of RF emitters by many UAVs," AIAA Infotech@Aerospace 2007 Conference and Exhibit, 2007.
- Shankland, Steven, "Lowly DSL poised for gigabit speed boost", *CINet*, cnet.com, Oct. 21, 2014.
- Silver, Ralph U., "Local Loop Overview", National Communications System (NCS), BellSouth Network Training, newnetworks.com, Aug. 2016.
- Spencer, D G., "Novel Millimeter ACC Antenna Feed", *IEEE Colloquium on Antennas for Automotives*, Mar. 10, 2000.
- Sundqvist, Lassi, "Cellular Controlled Drone Experiment: Evaluation of Network Requirements," (2015).
- Szczys, Mike, "Cameras Perch on Power Lines, Steal Electricity", <http://hackaday.com/2010/06/28/cameras-perch-on-power-lines-steal-electricity/>, Discloses cameras that clamp on to power lines and use induction as a power source., 2010.
- Talbot, David, "Adapting Old-Style Phone Wires for Superfast Internet", *Adapting Old-Style Phone Wires for Superfast Internet*, Jul. 30, 2013.
- Tantawi, Sami G. et al., "High-power multimode X-band rf pulse compression system for future linear colliders" *Physical Review Special Topics-Accelerators and Beams*, 1098-4402/05/8(4)/042002, 2005, 19 pages.
- Teng, Ervin et al., "Aerial Sensing and Characterization of ThreeDimensional RF Fields," Univ. at Buffalo, cse.buffalo.edu, accessed: Sep. 2016.
- Wang, Wei, "Optimization Design of an Inductive Energy Harvesting Device for Wireless Power Supply System Overhead High-Voltage Power Lines", <https://pdfs.semanticscholar.org/3941/601af7a21d55e8b57ab0c50d5f1d9f9f6868.pdf>, Discloses an induction based energy harvesting device that takes energy from overhead powerlines (Figure 4), 2016.
- Werner, Louis B. et al., "Operation Greenhouse", Scientific Director's Report of Atomic Weapon Tests at Eniwetok, Annex 6.7 Contamination-Decontamination Studies Naval Radiological Defense Lab, 1951.
- Wolfe, Victor et al., "Feasibility Study of Utilizing 4G LTE Signals in Combination With Unmanned Aerial Vehicles for the Purpose of Search and Rescue of Avalanche Victims (Increment 1)", University of Colorado at Boulder, Research Report, 2014, 26 pages.
- Yeh, C. et al., "Thin-Ribbon Tapered Coupler for Dielectric Waveguides", 5/151994, 42-48.
- Yilmaz, et al., Self-optimization of coverage and capacity in LTE using adaptive antenna systems. Diss. Aalto University, 2010.
- "Cband & L/Sband Telemetry Horn Antennas," mWAVE, mwavellc.com, <http://www.mwavellc.com/custom-Band-LS-BandTelemetryHornAntennas.php>, Jul. 6, 2012.
- "Product Abstract—Program on Technology Innovation: Study on the Integration of High Temperature Superconducting DC Cables Within the Eastern and Western North American Power Grids." EPRI—Electronic Power Research Institute, epri.com, Product ID:10203, Nov. 25, 2009.
- "Boost: The world's first WI-FI extending led bulb," Sengled, sengled.com, http://www.sengled.com/sites/default/files/field/product/downloads/manual/a01-a60_na_user_manual.pdf, Dec. 2014.
- "Examples of Cell Antennas," RF Check®, rfcheck.com, <https://web.archive.org/web/20100201214318/http://www.rfcheck.com/Examplesof-Cell-Antennas.php>, Feb. 1, 2010.
- "Flashing Light : IR.Lamp," Beninca®, beninca.com, <http://www.beninca.com/en/news/2015/02/23/lampeggiante-irlamp.html>, Feb. 23, 2015.
- "An Improved Solid Dielectric Lens Impulse Radiating Antenna," SBIR/STTR, DoD, sbir.gov., 2004.
- "Power line communications: An overview Part I." King Fahd University of Petroleum and Minerals, Dhahran, KSA., 2008.
- "Power Line Communications," Atmel®, <http://www.atmel.com/products/smartenergy/powerlinecommunications/default.aspx>, 2015.
- "Integrated Radio Masts Fully camouflaged Outdoor-Wi-Fi APs in GRP-lamp poles," Brown-ipposs, brown-ipposs.com., Mar. 21, 2014.
- "How is ELine Different?," ELine Corridor Systems, corridor.biz http://www.corridor.biz/ELine_is_different.html, Apr. 23, 2015.
- "Powerline Communication," Cypress Perform, cypress.com <http://www.cypress.com/?id=2330>., Apr. 23, 2015.
- "Products: GSM Micro Repeater." L-Tel: Quanzhou L-Tel Communication Equipment Co., Ltd., l-tel.com., Apr. 24, 2015.
- "New Wi-Fi antenna enhances wireless coverage," ScienceDaily®, sciencedaily.com., Apr. 29, 2015.
- "Dielectric Antenna," Microwave Technologies, Ind., microwavetechnologiesinc.co.in <http://www.microwavetechnologiesinc.co.in/microwavecommunicationlabproducts.html#dielectricantenna>., May 21, 2015.
- "Horn Antennas," Steatite QPar Antennas, steatiteqparantennas.co.uk, <http://www.steatiteqparantennas.co.uk/products/hornantennas.html>? <http://www.steatiteqparantennas.co.uk/consultancy/customhornantennas/>., May 21, 2015.
- "24 Volt D.C Flashing Light With Built-in Antenna 433Mhz, DEA+ Product Guide" Meteor electrical, meteorelectrical.com, Code: LUMY/24A., Jul. 28, 2010.
- "Waveguide-fed Conical Horn," Antenna Magus, antennamagus.com, © 2015, accessed: Aug. 2015.
- "Identity Management," Tuomas Aura CSE-C3400 Information Security, Aalto University, 33 pgs., Autumn 2014.
- "Power Communication," Communication Power Solutions, Inc., cpspower.biz, <http://www.cpspower.biz/services/powercommunications/>., Oct. 2013.
- "A Dielectric Lens Antenna with Enhanced Aperture Efficiency for Industrial Radar Applications", *Computer Simulation Technology*, cst.com, May 10, 2011.
- "A New Approach to Outdoor DAS Network Physical Layer Using E-Line Technology", *Corridor Systems*, Mar. 2011, 5 pages.
- "About Firelight Media Group", http://www.insurance-technologies.com/Products/Products_firelight_overview.html, Firelight®, Insurance Technologies, LLC., Apr. 19, 2015.
- "Asahi Multi-Core Fiber Cable", *Industrial Fiber optics, i-fiberoptics.com* <http://i-fiberoptics.com/multi-core-fiber-cable>, Apr. 26, 2015.
- "Bi-Axial PA Horn with Gimbal Mount", Atlas Sound, MCM Electronics, mcmelectronics.com, MCM Part #555-13580., 2011.
- "Broadband Negligible Loss Metamaterials", *Computer Electromagnetics and Antennas Research Laboratory*, cearl.ee.psu.edu., May 15, 2012.
- "Cisco IP VSAT Satellite WAN Network Module for Cisco Integrated Services Routers", http://www.cisco.com/c/en/us/products/collateral/interfaces-modules/ip-vsatsatellite-wan-module/product_data_sheet0900aecd804bbf6f.html, Jul. 23, 2014.
- "Cloud Management", Cisco Meraki, cisco.com., Sep. 11, 2015.
- "Decryption: Identify & Control Encrypted Traffic", Palo Alto Networks, paloaltonetworks.com, Mar. 7, 2011.
- "Denso", Winn & Coales (Denso) Ltd. UK, denso.net, <http://www.denso.net/voidfiller/voidpump.htm>, 2015, 1 page.
- "Detecting and Preventing MAC Spoofing", *Detecting and Preventing MAC Spoofing | Network Access Control Solutions*, infoexpress, 2014.
- "Electronic Business Fulfillment FireLight ®", Firelight Media Group LLC, firelightmedia.net <http://www.firelightmedia.net/fmg/index.php/home>, Apr. 19, 2015, 2 pages.
- "Elliptical Polarization", "Elliptical Polarization" Wikipedia, <http://en.wikipedia.org/wiki/Elliptical_polarization>, 3 pgs., Apr. 21, 2015.
- "Exacter Outage-Avoidance System", <http://www.epri.com/abstracts/Pages/ProductAbstract.aspx?ProductId=000000000001020393>, Nov. 30, 2009.
- "GM-12 Gimbal Mount", Newmark System, Inc, newmarksystems.com., 2015.

(56)

References Cited

OTHER PUBLICATIONS

- "HiveManager Network Management System", Aerohive® Networks, aerohive.com., Sep. 2015.
- "Home", Darktrace, darktrace.com, Jul. 10, 2014.
- "How to Use STUF", STUF Page Link Info, crossdevices.com, http://www.crossdevices.com/cross_devices_010.htm, 2015, 1 page.
- "IEEE Standard for Information technology—Local and metropolitan area networks—Specific requirements", Part 15.4: Wireless Medium Access Control (MAC) and Physical Layer (PHY) Specifications for Low Rate Wireless Personal Area Networks (WPANs), in IEEE Std 802.15.4, (Revision of IEEE Std 802.15.4-2003), Sep. 7, 2006, 1-320.
- "Installing Satellite Accessories", ACE®, acehardware.com., May 8, 2006.
- "Iptek All-Optical Sensors", <http://www.ipitek.com/solutions-by-industry/all-optical-sensors.>, Jun. 2, 2014.
- "mmWave Axial Choke Horn Antenna with Lens", Feko, Sep. 24, 2013.
- "Network technology", nbnTM, nbnco.com.au, Jun. 27, 2014.
- "Norse Appliance™: Block attacks before they target your network, and dramatically improve the ROI on your entire security infrastructure", norsecorp.com, 2015.
- "Out-of-Band Mgmt", Cradle Point, cradlepoint.com., Sep. 2015.
- "Out-of-Band Security Solution", Gigamon®, gigamon.com., Aug. 3, 2014.
- "Powerline—Juice Up Your Network With Powerline", Netgear®, netgear.com <http://www.netgear.com/home/products/networking/powerline/>, Apr. 21, 2015, 3 pages.
- "Pro 600 Sirius XM Radio Amplified Outdoor Antenna", Pixel Technologies, Oct. 3, 2014.
- "Product Overview: Introducing SilentDefense", Security Matters, secmatters.com, Nov. 9, 2013.
- "Quickly identify malicious traffics: Detect", Lancopé®, lancopé.com, Mar. 15, 2015.
- "Radar at st Andrews", mmwaves.epr, st-andrews.ac.uk., Feb. 4, 2011.
- "Resilience to Smart Meter Disconnect Attacks", ADSC Illinois at Singapore PTE, LTD., publish.illinois.edu <http://publish.illinois.edu/integrativesecurityassessment/resiliencetosmartmeterdisconnectattacks/>, 2015.
- "RF Sensor Node Development Platform for 6LoWPAN and 2.4 GHz Applications", <http://www.ti.com/tool/TIDM-RF-SENSORNODE.>, Jun. 2, 2014.
- "Smart Out-Of-Band Management", Open Gear, opengear.com., Sep. 2015.
- "Tapered waveguide", Lumerical Solutions, Inc., docs.lumerical.com., 2010.
- "Tapered Waveguides Improve Fiber Light Coupling Efficiency", Tech Briefs, techbriefs.com, Molex Inc., Downers Grove, Illinois and KiloLambda Technologies Ltd., Tel Aviv, Israel., Jan. 1, 2006.
- "Wireless powerline sensor", wikipedia.org, http://en.wikipedia.org/wiki/Wireless_powerline_sensor, 2014, 3 pages.
- Akiba, Shigeyuki et al., "Photonic Architecture for Beam Forming of RF Phased Array Antenna", Optical Fiber Communication Conference. Optical Society of America., Abstract Only, 2014.
- Alam, M N et al., "Novel surface wave exciters for power line fault detection and communications", Antennas and Propagation (APSURSI), IEEE International Symposium on, IEEE, pp. 1139-1142, Jul. 3, 2011.
- Alam, MD N. et al., "Design and Application of Surface Wave Sensors for nonintrusive Power Line Fault Detection," IEEE Sensors Journal, IEEE Service Center, New York, NY, US, vol. 13, No. 1, pp. 339-347, Jan. 1, 2013.
- Ali, Muhammad Q. et al., "Randomizing AMI configuration for proactive defense in smart grid", Smart Grid Communications (SmartGridComm), IEEE International Conference on, IEEE, Abstract Only, <http://ieeexplore.ieee.org/xpl/login.jsp?tp=&number=6688027>, 2013.
- Angove, Alex , "Direct Bury Duct Assemblies, MPB 302 3+—Ribbonet Microducts", Ericsson, archive.ericsson.net, Jul. 30, 2014.
- Angove, Alex , "How the NBN Differs from ADSL2+, Cable and Wireless", Whistle Out, whistleout.com.au, Jul. 30, 2014.
- Arage, Alebel et al., "Measurement of wet antenna effects on millimetre wave propagation", Radar, IEEE Conference on IEEE., Abstract Only, 2006.
- Arthur, Joseph Kweku , "Improving QoS in UMTS Network in Accra Business District Using Tower-Less Towers", IPASJ International Journal of Electrical Engineering (IJEE), vol. 2, Issue 11., Nov. 2014.
- Asadallahi, Sina et al., "Performance comparison of CSMA/CA Advanced Infrared (Alr) and a new pointtomultipoint optical MAC protocol." Wireless Communications and Mobile Computing Conference (IWCMC), 2012 8th International. IEEE., Abstract Only, 2012.
- Atwater, Harry A. , "The promise of plasmonics." Scientific American 296.4: 56-62., 2007.
- Bach, Christian , "Current Sensor—Power Line Monitoring for Energy Demand Control", Application Note 308, http://www.enocan.com/fileadmin/redaktion/pdf/app_notes/AN308_CUR-RENT_SENSOR_Jan09.pdf, Jan. 2009, 4 pages.
- Barron, Ashleigh L. , "Integrated Multicore Fibre Devices for Optical Trapping", Diss. Heriot-Watt University, 2014, 11-15.
- Beal, J.C. et al., "Coaxial-slot surface-wave launcher", Electronics Letters 4.25: 557559, Abstract Only, 1968.
- Bhushan, Naga , "Network densification: the dominant theme for wireless evolution into 5G", Communications Magazine, IEEE 52.2: 82-89, 2014.
- Bing, Benny , "Ubiquitous Broadband Access Networks with Peer-to-Peer Application Support", Evolving the Access Network: 27-36, 2006.
- Bock, James et al., "Optical coupling." Journal of Physics: Conference Series. vol. 155. No. 1. IOP Publishing., 2009.
- Bowen, Leland H. et al., "A Solid Dielectric Lens Impulse Radiating Antenna with High Dielectric Constant Surrounded by a Cylindrical Shroud," Sensor and Simulation Note 498., Introduction, Apr. 2005, 3 pages.
- Bridges, Greg E. et al., "Plane wave coupling to multiple conductor transmission lines above a lossy earth", Compatibility, IEEE Transactions on 31.1, Abstract Only, 1989, 21-33.
- Brooke, Gary H. , Properties of surface waveguides with discontinuities and perturbations in cross-section. Diss. University of British Columbia, 1977.
- Brown, J. et al., "The launching of radial cylindrical surface waves by a circumferential slot", Proceedings of the IEE Part B: Radio and Electronic Engineering 106.26: 123128., Abstract Only, 1959.
- Bruno, Joseph , "Interference Reduction in Wireless Networks", Computing Research Topics, Computing Sciences Department, Villanova University, Nov. 14, 2007, 8 pages.
- Burkhardt, Martin et al., "Does Topology Control Reduce Interference?", Department of Computer Science, ETH Zurich, Proceedings of the 5th ACM international symposium on Mobile ad hoc networking and computing, ACM, 2004, 11 pages.
- Callis, et al., "An In-Line Power Monitor for HE11 Low Loss Transmission Lines", Proceedings of the 29th International Conference on Infrared and Millimeter Waves (IRMMW), Karlsruhe, Germany, 2004.
- Carroll, John M. et al., "Developing the Blacksburg electronic village", Communications of the ACM 39.12: 69-74, 1996.
- Chen, Dong et al., "A trust management model based on fuzzy reputation for internet of things", Computer Science and Information Systems 8.4: 12071228, Abstract Only, 2011.
- Chen, Yingying , "Detecting and Localizing Wireless Spoofing Attacks", Sensor, Mesh and Ad Hoc Communications and Networks, SECON'07. 4th Annual IEEE Communications Society Conference on IEEE, 2007, 10 pages.
- Chiba, Jiro , "Experimental Studies of the Losses and Radiations Due to Bends in the Goubau Line", IEEE Transactions on Microwave Theory and Techniques, Feb. 1977, 94-100.
- Chiba, Jiro , "On the Equivalent Circuit for the G-Line Above Ground", International Wroclaw Symposium on Electromagnetic Compatibility, 1998, 78-82.

(56)

References Cited

OTHER PUBLICATIONS

- Cimini, Carlos Alberto et al., "Temperature profile of progressive damaged overhead electrical conductors", *Journal of Electrical Power & Energy Systems* 49: 280-286., 2013.
- Costantine, Joseph et al., "The analysis of a reconfigurable antenna with a rotating feed using graph models", *Antennas and Wireless Propagation Letters* 8: 943-946, 2009.
- Covington, Michael J. et al., "Threat implications of the internet of things", *Cyber Conflict (CyCon)*, 2013 5th International Conference on. IEEE., Abstract Only, 2013.
- Crane, Robert K. , "Analysis of the effects of water on the ACTS propagation terminal antenna", *Antennas and Propagation, IEEE Transactions on* 50.7: 954965, Abstract Only, 2002.
- De Sabata, Aldo et al., "Universitatea Politehnica", din Timiș oara Facultatea de Electronică și Telecomunicații., 2012.
- Dini, Gianluca et al., "MADAM: A Multilevel Anomaly Detector for Android Malware", *MMMACNS*. vol. 12, 2012.
- Doane, J.L. et al., "Oversized rectangular waveguides with modefree bends and twists for broadband applications", *Microwave Journal* 32(3), Abstract Only, 1989, 153-160.
- Doelitzscher, et al., "ViteraaS: Virtual cluster as a service." *Cloud Computing Technology and Science (CloudCom)*, 2011 IEEE Third International Conference on. IEEE., 2011.
- Dooley, Kevin , "Out-of-Band Management", *auvik*, auvik.com, Apr. 12, 2014.
- Dostert, Klaus , "Frequency-hopping spread-spectrum modulation for digital communications over electrical power lines." *Selected Areas in Communications, IEEE Journal on* 8.4: 700-710., Abstract Only, 1990.
- Dragoo, R.E. et al., "Fiber Optic Data Bus for the AN/GYQ21(V)." Harris Corp, U.S. Communications Syst. Div. Chart, Microcopy Resolution Test, 1980.
- Dutton, Harry Jr. , "Understanding Optical Communications", International Technical Support Organization, SG24-5230-00., Sep. 1998.
- Ehyaie, Danial , "Novel Approaches to the Design of Phased Array Antennas," *Diss. The University of Michigan*, 2011.
- Elmore, Glenn , "Introduction to the Propagating Wave on a Single Conductor", www.corridor.biz, Jul. 27, 2009, 30 pages.
- Erickson, Katherine , "Conductive cylindrical surface waveguides." https://www.ideals.illinois.edu/bitstream/handle/2142/30914/Erickson_Katherine.pdf?sequence=1, 2012.
- Eskelinen, Harri , "DFM (A)-aspects for a horn antenna design," *Lappeenranta University of Technology*., 2004.
- Eskelinen, P. , "A low-cost microwave rotary joint," *International Radar Conference*, 13-17, p. 1-4., Abstract Only, Oct. 2014, 1 page.
- Feng, Taiming et al., "Design of a survivable hybrid wireless-optical broadband-access network", *Journal of Optical Communications and Networking* 3.5, 2011, 458-464.
- Fenye, Bao et al., "Dynamic trust management for internet of things applications", *Proceedings of the 2012 international workshop on Selfaware internet of things*. ACM, Abstract Only, 2012, 1 page.
- Freyer, Dan , "Combating The Challenges of Ka-Band Signal Degradation", *SatMagazine*, satmagazine.com., Sep. 2014.
- Friedman, M et al., "Low-loss RF transport over long distances." *IEEE Transactions on Microwave Theory and Techniques*, Jan. 1, 2001, pp. 341-348.
- Friedman, M. et al., "Low-Loss RF Transport Over Long Distances", *IEEE Transactions on Microwave Theory and Techniques*, vol. 49, No. 2, Feb. 2001, 341-348.
- Fromm, W. et al., "A new microwave rotary joint," *1958 IRE International Convention Record*, 21-25, 6:78-82., Abstract Only, Mar. 1966, 2 pages.
- Garcia-Etxarri, Aitzol et al., "A combination of concave/convex surfaces for fieldenhancement optimization: the indented nanocone", *Optics express* 20.23, 2012, 2520125212.
- Ghazisaidi, Navid et al., "Survivability analysis of next-generation passive optical networks and fiber-wireless access networks", *Reliability, IEEE Transactions on* 60.2, 2011, 479-492.
- Goldsmith, P.F. , "Quasi-optical techniques", *Proceedings of the IEEE*., vol. 80, No. 11, Nov. 1, 1992.
- Golrezaei, Negin et al., "FemtoCaching: Wireless Video Content Delivery through Distributed Caching Helpers", *INFOCOM, Proceedings IEEE*, 2012.
- Gomes, Nathan J. et al., "Radio-over-fiber transport for the support of wireless broadband services", *Journal of Optical Networking* 8.2: 156-178., 2009.
- Gonthier, François et al., "Mode coupling in nonuniform fibers: comparison between coupled-mode theory and finite-difference beam-propagation method simulations", *JOSA B* 8.2: 416421, Abstract Only, 1991, 3 pages.
- Gritzalis, Dimitris et al., "The Sphinx enigma in critical VoIP infrastructures: Human or botnet?." *Information, Intelligence, Systems and Applications (IISA)*, Fourth International Conference, IEEE., 2013.
- Han, Chong et al., "crosslayer communication module for the Internet of Things", *Computer Networks* 57.3: 622633, Abstract Only, 2013, 1 page.
- Haroun, Ibrahim et al., "WLANs meet fiber optics-Evaluating 802.11 a WLANs over fiber optics links", *RF Des. Mag*: 36-39., 2003.
- Hassan, Karim , "Fabrication and characterization of thermo-plasmonic routers for telecom applications", *Diss. Univ. de Bourgogne*., 2014.
- Hassan, Maaly A. , "Interference reduction in mobile ad hoc and sensor networks", *Journal of Engineering and Computer Innovations* vol. 2(7), Sep. 2011, 138-154.
- Hassani, Alireza et al., "Porous polymer fibers for low-loss Terahertz guiding." *Optics express* 16.9: 6340-6351., 2008.
- Hautakorpi, Jani et al., "Requirements from Session Initiation Protocol (SIP) Session Border Control (SBC) Deployments." *RFC5853, IETF* (2010)., 2010.
- Hawrylyshen, A. et al., "Sipping Working Group J. Hautakorpi, Ed. Internet-Draft G. Camarillo Intended status: Informational Ericsson Expires: Dec. 18, 2008 R. Penfield Acme Packet.", 2008.
- Hoss, R.J. et al., "Manufacturing Methods and Technology Program for Ruggedized Tactical Fiber Optic Cable", No. ITT-80-03-078. ITT Electrooptical Products Div Roanoke VA., 1980.
- Ippolito, Louis J. , "Propagation effects handbook for satellite systems design. A summary of propagation impairments on 10 to 100 GHz satellite links with techniques for system design", 1989, Abstract Only, 1989, 1 page.
- Izumiya, Hidetaka et al., "Multicast over satellite", *Applications and the Internet, (SAINT 2002). Proceedings. Symposium on*. IEEE, 2002.
- Jackson, Mark , "Timico CTO Hit by Slow FTTC Broadband Speeds After Copper Corrosion", *ISP review*, ispreview.co.uk, Mar. 5, 2013.
- Jaeger, Raymond et al., "Radiation Performance of Germanium Phosphosilicate Optical Fibers." *RADC-TR-81-69: Final Technical Report*, Galileo Electro-Optical Corp., May 1981.
- James, J.R. et al., "Investigations and Comparisons of New Types of Millimetre-Wave Planar Arrays Using Microstrip and Dielectric Structures", *Royal Military Coll of Science Shrivenham (England)*., 1985.
- Jang, Hung-Chin , "Applications of Geometric Algorithms to Reduce Interference in Wireless Mesh Network", *Journal on Applications of Graph Theory in Wireless Ad hoc Networks and Sensor Networks (JGRAPH-HOC)* vol. 2, No. 1, Abstract Only, Mar. 2010, 1 page.
- Jawhar, Imad et al., "A hierarchical and topological classification of linear sensor networks", *Wireless Telecommunications Symposium, WTS, IEEE*, http://faculty.uaeu.ac.ae/Nader_M/papers/WTS2009.pdf, 2009, 8 pages.
- Jef, George et al., "Demonstration of the Technical Viability of PLC Systems on Medium- and Low-Voltage Lines in the United States", *Broadband is Power: Internet Access via Power Line Networks, IEEE Communication Magazine*, May 2003, 5 pages.
- Jeong, et al., "Study of elliptical polarization requirement of KSTAR 84-GHz ECH system", *Journal-Korean Physical Society* 49, 2006.

(56)

References Cited

OTHER PUBLICATIONS

- Jin, , "Quasi-optical mode converter for a coaxial cavity gyrotron", Forschungszentrum, 2007.
- Jin, Yu et al., "Nevermind, the Problem Is Already Fixed: Proactively Detecting and Troubleshooting Customer DSL Problems", ACM CoNEXT, Philadelphia, USA, Nov.-Dec. 2010, 12 pages.
- Kamilaris, et al., "Exploring the Use of DNS as a Search Engine for the Web of Things." Internet of Things (WF-IoT), 2014 IEEE World Forum on. IEEE, 2014.
- Kang, , "Chapter 6: Array Antennas," IHS Engineering360, globalspec.com, <http://www.globalspec.com/reference/75109/203279/chapter-6-array-antennas>, Apr. 22, 2015.
- Katkovnik, Vladimir et al., "High-resolution signal processing for a switch antenna array FMCW radar with a single channel receiver", Sensor Array and Multichannel Signal Processing Workshop Proceedings, IEEE., 2002.
- Kahn, , "Dual polarized dielectric resonator antennas", Chalmers University of Technology, 2010.
- Kikuchi, H. et al., "Hybrid transmission mode of Goubau lines", J.Inst.Electr.Comm.Engrs., Japan.vol. 43, pp. 39-45., 1960.
- Kirkham, H. et al., "Power system applications of fiber optics (Jet Propulsion Lab." JPL Publication 84-28, Electric Energy Systems Division, U.S. DoE, p. 180., 1984.
- Koshiha, Masanori et al., "Analytical expression of average power-coupling coefficients for estimating intercore crosstalk in multicore fibers", Photonics Journal, IEEE 4.5, 2012, 1987-1995.
- Kroon, Barnard et al., "Steady state RF fingerprinting for identity verification: one class classifier versus customized ensemble." Artificial Intelligence and Cognitive Science. Springer Berlin Heidelberg, 198206., Abstract Only, 2010, 3 pages.
- Kroyer, Thomas , "A Waveguide High Order Mode Reflectometer for the Large Hadron Collider Beam-pipe", Diss. TU Wien., 2003.
- Kuhn, Marc et al., "Power Line Enhanced Cooperative Wireless Communications", IEEE Journal on Selected Areas in Communications, vol. 24, No. 7, Jul. 2006, 10 pages.
- Kumar, Sailesh , "Survey of Current Network Intrusion Detection Techniques", Washington Univ. in St. Louis, Dec. 2007.
- LAPPGROUPUSA, "Selection of Number of Cable Cores With Emphasis on Sizing Parameters", Industrial Cable & Connector Technology News, lappconnect.blogspot.com, http://lappconnect.blogspot.com/2014_10_01_archive.html, Oct. 30, 2014.
- Leech, Jamie et al., "Experimental investigation of a low-cost, high performance focal-plane horn array." Terahertz Science and Technology, IEEE Transactions on 2.1: 61-70., 2012.
- Li, Xiang-Yang et al., "Interference-Aware Topology Control for Wireless Sensor Networks", SECON. vol. 5, 2005.
- Li, Xiaowei et al., "Integrated plasmonic semi-circular launcher for dielectric-loaded surface plasmon-polariton waveguide", Optics express 19.7: 65416548, 2011.
- Li, Xu et al., "Smart community: an internet of things application", Communications Magazine, IEEE 49.11: 68-75, 2011.
- Lier, E. et al., "Simple hybrid mode horn feed loaded with a dielectric cone," Electronics Letters 21.13: 563564., 1985.
- Lim, Christina et al., "Fiber-wireless networks and subsystem technologies", Lightwave Technology, Journal of 28.4, 390-405, 2010.
- Lou, Tiancheng , "Minimizing Average Interference through Topology Control", Algorithms for Sensor Systems, Springer Berlin Heidelberg, 2012, 115-129.
- Lucyszyn, S. et al., "Novel RF MEMS Switches", Microwave Conference, APMC, Asia-Pacific. IEEE, 2007.
- Lucyszyn, Stepan et al., "RF MEMS for antenna applications", Antennas and Propagation (EuCAP), 7th European Conference on. IEEE, 2013.
- Luo, Qi et al., "Circularly polarized antennas", John Wiley & Sons, Book—description only, 2013, 1 page.
- Mahato, Suvranshu Sekhar , Studies on an Infrared Sensor Based Wireless Mesh Network. Diss., Abstract Only, 2010, 2 pages.
- Maier, Martin et al., "The audacity of fiberwireless (FiWi) networks", AccessNets. Springer Berlin Heidelberg, 16-35., 2009.
- Marcatili, E.A. et al., "Hollow Metallic and Dielectric Waveguides for Long Distance Optical Transmission and Lasers", Bell System Technical Journal 43(4), Abstract Only, 2 pages, 1964, 1783-1809.
- McAllister, M.W. et al., "Resonant hemispherical dielectric antenna," Electronics Letters 20.16: 657659., Abstract Only, 1984, 1 page.
- Meng, H. et al., "A transmission line model for high-frequency power line communication channel", Power System Technology, PowerCon 2002. International Conference on. vol. 2. IEEE, 2002. <http://infocom.uniroma1.it/~enzobac/MengChen02.pdf>, 2002.
- Menon, S.S. et al., "Propagation characteristics of guided modes in a solid dielectric pyramidal horn," Proceedings of the 2012 International Conference on Communication Systems and Network Technologies. IEEE Computer Society, Abstract Only, 2012, 2 pages.
- Mitchell, John E. , "Integrated Wireless Backhaul Over Optical Access Networks", Journal of Lightwave Technology 32.20, 2014, 3373-3382.
- Miyagi, M. , "Bending losses in hollow and dielectric tube leaky waveguides", Applied Optics 20(7), Abstract Only, 2 pages, 1981, 1221-1229.
- Moaveni-Nejad, Kousha et al., "Low-Interference Topology Control for Wireless Ad Hoc Networks", Department of Computer Science, Illinois Institute of Technology, Ad Hoc & Sensor Wireless Networks 1.1-2, 2005, 41-64.
- Moisan, M. et al., "Plasma sources based on the propagation of electromagnetic surface waves", Journal of Physics D: Applied Physics 24.7: 1025, 1991.
- Mokhtarian, Kianoosh et al., "Caching in Video CDNs: Building Strong Lines of Defense", EuroSys, Amsterdam, Netherlands, 2014.
- Morse, T.F. , "Research Support for the Laboratory for Lightwave Technology." Brown Univ Providence RI Div of Engineering, 1992.
- Mruk, Joseph Rene , "Wideband monolithically integrated frontend subsystems and components", Diss. University of Colorado, 2011.
- Nachiketh, P. et al., "Optimizing public-key encryption for wireless clients", Proceedings of the IEEE International Conference on Communications (ICC 2002). No. 1., 2002.
- Narayanan, Arvind , "Fingerprinting of RFID Tags and HighTech Stalking." 33 Bits of Entropy, 33bits.org, Oct. 4, 2011.
- Nassa, Vinay Kumar , "Wireless Communications: Past, Present and Future", Dronacharya Research Journal: 50. vol. III, Issue-II, Jul.-Dec. 2011.
- Nibarger, John P. , "An 84 pixel all-silicon corrugated feedhorn for CMB measurements." Journal of Low Temperature Physics 167.3-4 522-527., 2012.
- Nicholson, Basil J. , "Microwave Rotary Joints for X-, C-, and S-band", Battelle Memorial Inst Columbus OH, 1965.
- Nuvotronics, "PolyStrata—Phased Arrays & Antennas", Nuvotronics, nuvotronics.com <http://www.nuvotronics.com/antennas.php>, Apr. 26, 2015.
- Olver, A. D. , "Microwave horns and feeds," vol. 39. IET, Book—description only, 1994, 1 page.
- Olver, A.D. et al., "Dielectric cone loaded horn antennas," Microwaves, Antennas and Propagation, IEE Proceedings H. vol. 135. No. 3. IET., Abstract Only, 1988, 1 page.
- Orfanidis, Sophocles J. , "Electromagnetic waves and antennas," Rutgers University., 2002.
- Pahlavan, Kaveh et al., "Wireless data communications", Proceedings of the IEEE 82.9: 1398-1430, 1994.
- Patel, Shwetak N. et al., "The Design and Evaluation of an End-User-Deployable, Whole House, Contactless Power Consumption Sensor", CHI 2010: Domestic Life, Apr. 2010, 10 pages.
- Paul, Sanjoy et al., "The Cache-and-Forward Network Architecture for Efficient Mobile Content Delivery Services in the Future Internet", Innovations in NGN: Future Network and Services, 2008. K-INGN 2008. First ITU-T Kaleidoscope Academic Conference, 2008.
- Perkons, Alfred R. et al., "TM surface-wave power combining by a planar active-lens amplifier", Microwave Theory and Techniques, IEEE Transactions on 46.6: 775783, 1998.

(56)

References Cited

OTHER PUBLICATIONS

- Péter, Zsolt et al., "Assessment of the current intensity for preventing ice accretion on overhead conductors", *Power Delivery, IEEE Transactions on* 22.1: 565-574., 2007.
- Petrovsky, Oleg , "The Internet of Things: A Security Overview", *w.druva.com*, Mar. 31, 2015.
- Pham, Tien-Thang et al., "A WDM-PON-compatible system for simultaneous distribution of gigabit baseband and wireless ultrawideband services with flexible bandwidth allocation", *Photonics Journal, IEEE* 3.1, 2011, 13-19.
- Piksa, Petr et al., "Elliptic and hyperbolic dielectric lens antennas in mmwaves", *Radioengineering* 20.1, 2011, 271.
- Plagemann, Thomas et al., "Infrastructures for community networks", *Content Delivery Networks*. Springer Berlin Heidelberg, 367-388, 2008.
- Pohl, , "A dielectric lens-based antenna concept for high-precision industrial radar measurements at 24GHz," *Radar Conference (EuRAD), 2012 9th European, IEEE*, 2012.
- Pranonsatit, S. et al., "Sectorised horn antenna array using an RF MEMS rotary switch", *Asia-Pacific Microwave Conf., APMC.*, 2010.
- Pranonsatit, Suneet et al., "Single-pole eight-throw RF MEMS rotary switch", *Microelectromechanical Systems, Journal of* 15.6: 1735-1744, 2006.
- Prashant, R.R. et al., "Detecting and Identifying the Location of Multiple Spoofing Adversaries in Wireless Network", *International Journal of Computer Science and Mobile Applications*, vol. 2 Issue. 5, May 2014, 1-6.
- Rahim, S. K. A. et al., "Measurement of wet antenna losses on 26 GHz terrestrial microwave link in Malaysia", *Wireless Personal Communications* 64.2: 225231, 2012.
- Rambabu, K. et al., "Compact single-channel rotary joint using ridged waveguide sections for phase adjustment," *IEEE Transactions on Microwave Theory and Techniques* (Aug. 2003) 51(8):1982-1986., Abstract Only, Aug. 2003, 2 pages.
- Rappaport, Theodore S. et al., "Mobile's Millimeter-Wave Make-over", *Spectrum.IEEE.Org*, Sep. 2014.
- Raychaudhuri, Dipankar et al., "Emerging Wireless Technologies and the Future Mobile Internet", *Cambridge University Press*, Abstract Only, Mar. 2011, 1 page.
- Raychem, "Wire and Cable", *Dimensions* 2:1., 1996.
- Reynet, Olivier et al., "Effect of the magnetic properties of the inclusions on the high-frequency dielectric response of diluted composites." *Physical Review B* 66.9: 094412., 2002.
- Rouse, Margaret , "Transport Layer Security (TLS)", *TechTarget, searchsecurity.techtarget.com*, Jul. 2006.
- Roze, Mathieu et al., "Suspended core subwavelength fibers: towards practical designs for low-loss terahertz guidance." *Optics express* 19.10 (2011): 9127-9138., 2011.
- Sagar, Nishant , "Powerline Communications Systems: Overview and Analysis", Thesis, May 2011, 80 pages.
- Sagues, Mikel et al., "Multi-tap complex-coefficient incoherent microwave photonic filters based on optical single-sideband modulation and narrow band optical filtering." *Optics express* 16.1: 295-303., 2008.
- Saied, Yosra Ben et al., "Trust management system design for the internet of things: a contextaware and multiservice approach", *Computers & Security* 39: 351365, Abstract Only, 2013, 2 pages.
- Salema, Carlos et al., "Solid dielectric horn antennas," *Artech House Publishers*, 1998.
- Salema, Carlos et al., "Solid dielectric horn antennas," *Artech House Publishers, Amazon*, Book—description only, 1998.
- Sarafi, A. et al., "Hybrid wireless-broadband over power lines: A promising broadband solution in rural areas." *Communications Magazine, IEEE* 47.11 (2009): 140-147., 2009.
- Sarafi, Angeliki M. et al., "Hybrid Wireless-Broadband over Power Lines: A Promising Broadband Solution in Rural Areas", *IEEE Communications Magazine*, Nov. 2009, 8 pages.
- Sarnecki, Joseph et al., "Microcell design principles", *Communications Magazine, IEEE* 31.4: 76-82, 1993.
- Saruhan, Ibrahim Halil , "Detecting and Preventing Rogue Devices on the Network", *SANS Institute InfoSec Reading Room, sans.org*, Aug. 8, 2007, 1 page.
- Scarfone, Karen et al., "Technical Guide to Information Security Testing and Assessment", *National Institute of Standards and Technology, csrc.nist.gov, Special Publication*, Sep. 2008, 800-115.
- Shafai, Lotfollah , "Dielectric Loaded Antennas", *John Wiley & Sons, Inc.*, http://www.researchgate.net/publication/227998803_Dielectric_Loaded_Antennas, Apr. 15, 2005.
- Shafi, Mansoor et al., "Advances in Propagation Modeling for Wireless Systems", *EURASIP Journal on Wireless Communications and Networking*. Hindawi Publishing Corp, 2009, p. 5.
- Shimabukuko, F.I. et al., "Attenuation measurement of very low-loss dielectric waveguides by the cavity resonator method in the millimeter/submillimeter wavelength range." No. TR-0086A(2925-06)-1. *Aerospace Corp El Segundo CA Electronics Research Lab*, 1989.
- Shindo, Shuichi et al., "Attenuation measurement of cylindrical dielectric-rod waveguide." *Electronics Letters* 12.5, 117-117., 1976.
- Shumate, Paul W. et al., "Evolution of fiber in the residential loop plant." *IEEE Communications Magazine* 29.3: 68-74., 1991.
- Sievenpiper, D.F. et al., "Two-dimensional beam steering using an electrically tunable impedance surface," in *Antennas and Propagation, IEEE Transactions on* , vol. 51, No. 10, pp. 2713-2722., Oct. 2003.
- Sommerfeld, A. , "On the propagation of electrodynamic waves along a wire", *Annals of Physics and Chemistry New Edition*, vol. 67, No. 2, 1899, 72 pages.
- Strahler, Olivier , "Network Based VPNs", *SANS Institute InfoSec Reading Room, sans.org*, Aug. 2002.
- Strieby, M.E. et al., "Television transmission over wire lines." *American Institute of Electrical Engineers, Transactions of the* 60.12: 1090-1096., Abstract Only, 1941, 2 pages.
- Szabó, Csaba A. , "European Broadband Initiatives with Public Participation", *Broadband Services: 255*, 2005.
- Taboada, John M. et al., "Thermo-optically tuned cascaded polymer waveguide taps." *Applied physics letters* 75.2: 163-165., 1999.
- Templeton, Steven J. et al., "Detecting Spoofed Packets", *DARPA Information Survivability Conference and Exposition*, vol. 1, IEEE, 2003.
- Theoley, Fabrice , "Internet of Things and M2M Communications", *books.google.com, ISBN13: 9788792982483, Book—description only*, Apr. 17, 2013, 1 page.
- Thornton, John et al., "Modern lens antennas for communications engineering", vol. 39, 2013.
- Valladares, Cindy , "20 Critical Security Controls: Control 7—Wireless Device Control", *Tripwire—The State of Security, tripwire.com*, Mar. 21, 2013.
- Vogelgesang, Ralf et al., "Plasmonic nanostructures in aperture-less scanning near-field optical microscopy (aSNOM)", *physica solidi (b)* 245.10: 22552260, 2008.
- Volat, C. et al., "De-icing/anti-icing techniques for power lines: current methods and future direction", *Proceedings of the 11th International Workshop on Atmospheric Icing of Structures, Montreal, Canada.*, 2005.
- Wagter, Herman , "Fiber-to-the-X: the economics of last-mile fiber", *ARS Technica, arstechnica.com*, Mar. 31, 2010.
- Wake, David et al., "Radio over fiber link design for next generation wireless systems", *Lightwave Technology, Journal of* 28.16: 2456-2464., 2010.
- Wang, Jing et al., "The influence of optical fiber bundle parameters on the transmission of laser speckle patterns", *Optics express* 22.8, 2014, 8908-8918.
- Wilkins, George A. , "Fiber Optic Telemetry in Ocean Cable Systems", Chapter in new edition of *Handbook of Oceanographic Winch, Wire and Cable Technology*, Alan H. Driscoll, Ed., (to be published by University of Rhode Island), 1986.
- Wolff, Christian , "Phased Array Antenna" *Radar Tutorial, web.archive.org, radartutorial.eu*, Oct. 21, 2014.
- Wu, Xidong et al., "Design and characterization of singleand multipole mmwave circularly polarized substrate lens antennas for wireless communications", *Microwave Theory and Techniques, IEEE Transactions on* 49.3, 2001, 431-441.

(56)

References Cited

OTHER PUBLICATIONS

- Xi, Liu Xiao , "Security services in SoftLayer", Sep. 21, 2015.
- Xia, Cen et al., "Supermodes for optical transmission", Optics express 19.17, 2011, 16653-16664.
- Yang, , "Power Line Sensor Networks for Enhancing Power Line Reliability and Utilization", Georgia Institute of Technology, https://smartech.gatech.edu/bitstream/handle/1853/41087/Yang_Yi_2011108_phd.pdf, Apr. 26, 2011, 264 pages.
- Yang, et al., "Power line sensornet—a new concept for power grid monitoring", IEEE Power Engineering Society General Meeting, Abstract Only, 2006, pp. 8.
- Yeh, C. et al., "Ceramic Waveguides." Interplanetary Network Progress Report 141.26: 1., 2000.
- Yu, Shui et al., "Predicted packet padding for anonymous web browsing against traffic analysis attacks", Information Forensics and Security, IEEE Transactions on 7.4, <http://nsp.org.au/syu/papers/tifs12.pdf>, 2012, 1381-1393.
- Zelby, Leon W. , "Propagation Modes on a Dielectric Coated Wire", J. The Franklin Institute, vol. 274(2), pp. 85-97, 1962.
- Zhao, et al., "Energy harvesting for a wireless-monitoring system of overhead high-voltage power lines", IET Generation, Transmission & Distribution 7, IEEE Xplore Abstract, 2013, 2 pages.
- Zheng, Zhu et al., "Efficient coupling of propagating broadband terahertz radial beams to metal wires", Optics express 21.9: 1064210650, 2013.
- Zucker, "Surface-wave antennas", Antenna engineering handbook 4, 2007.

* cited by examiner

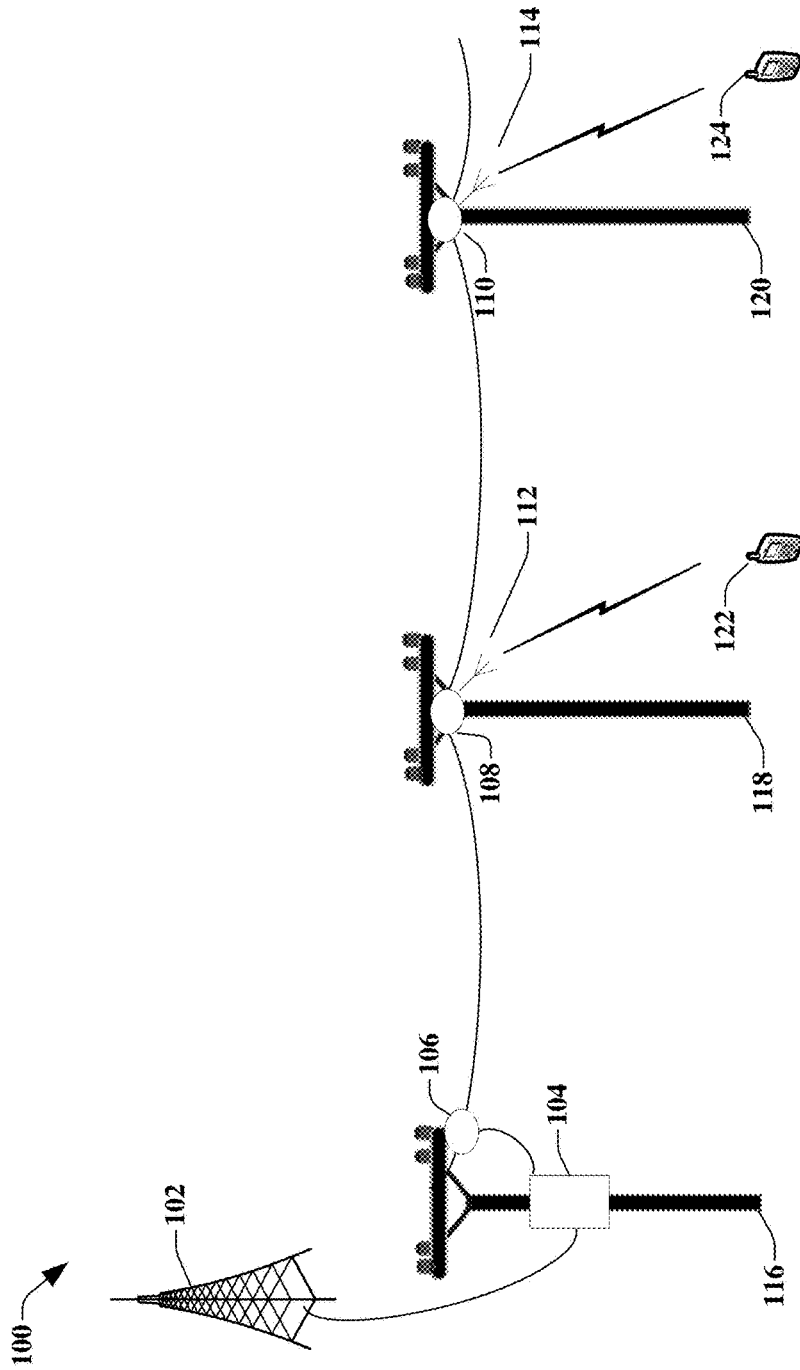


FIG. 1

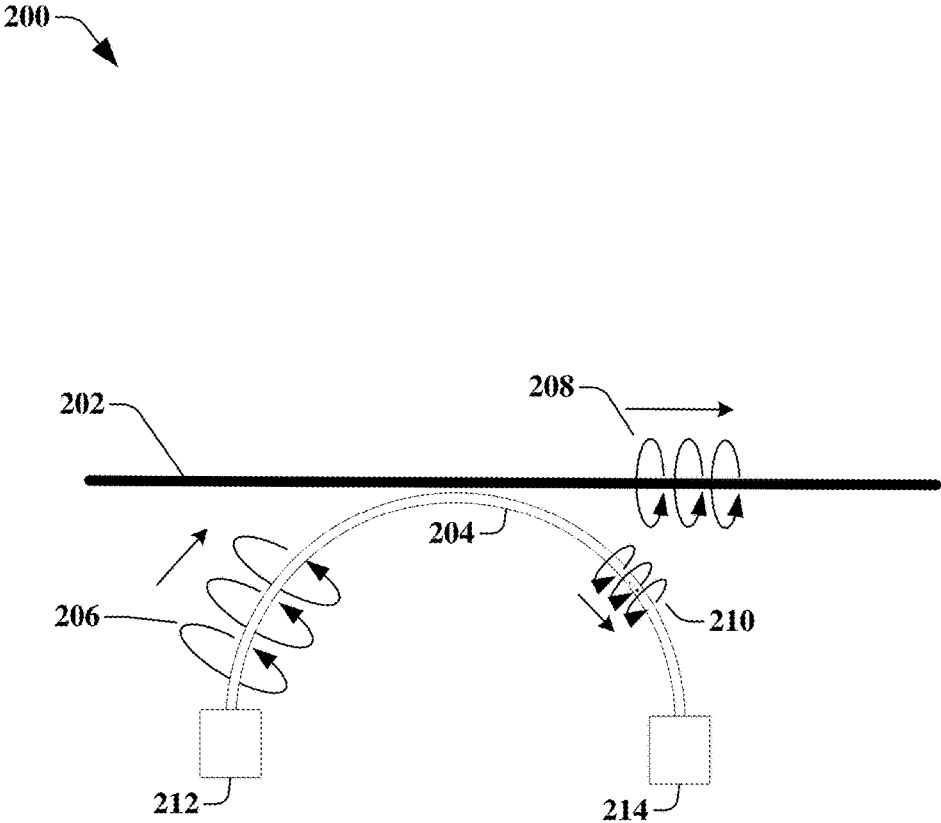


FIG. 2

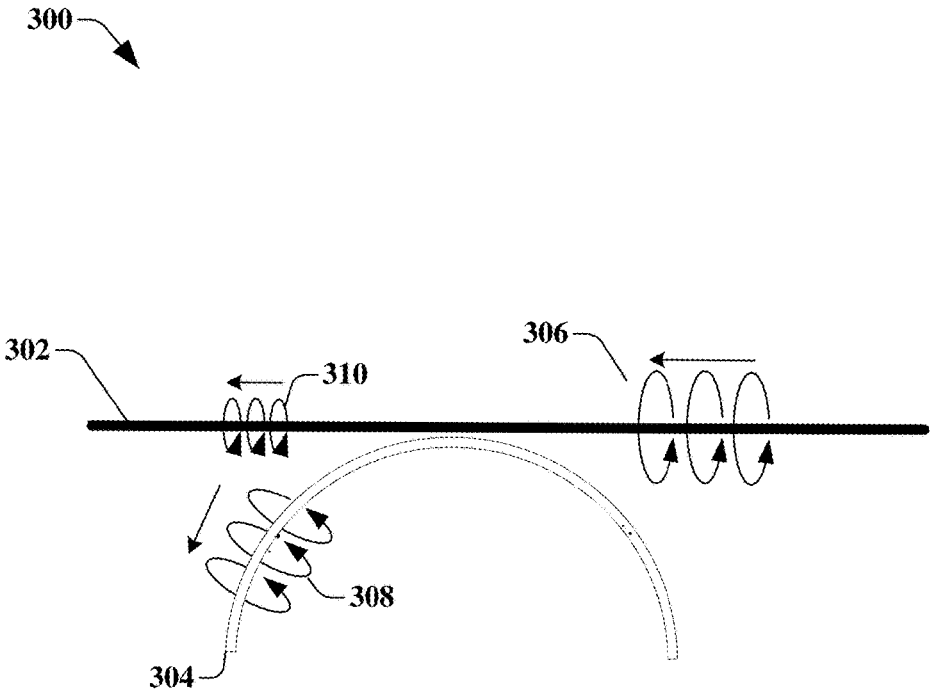


FIG. 3

400

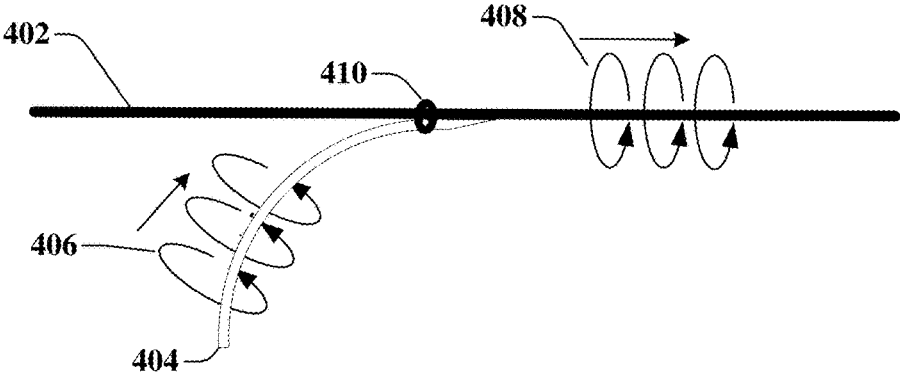


FIG. 4

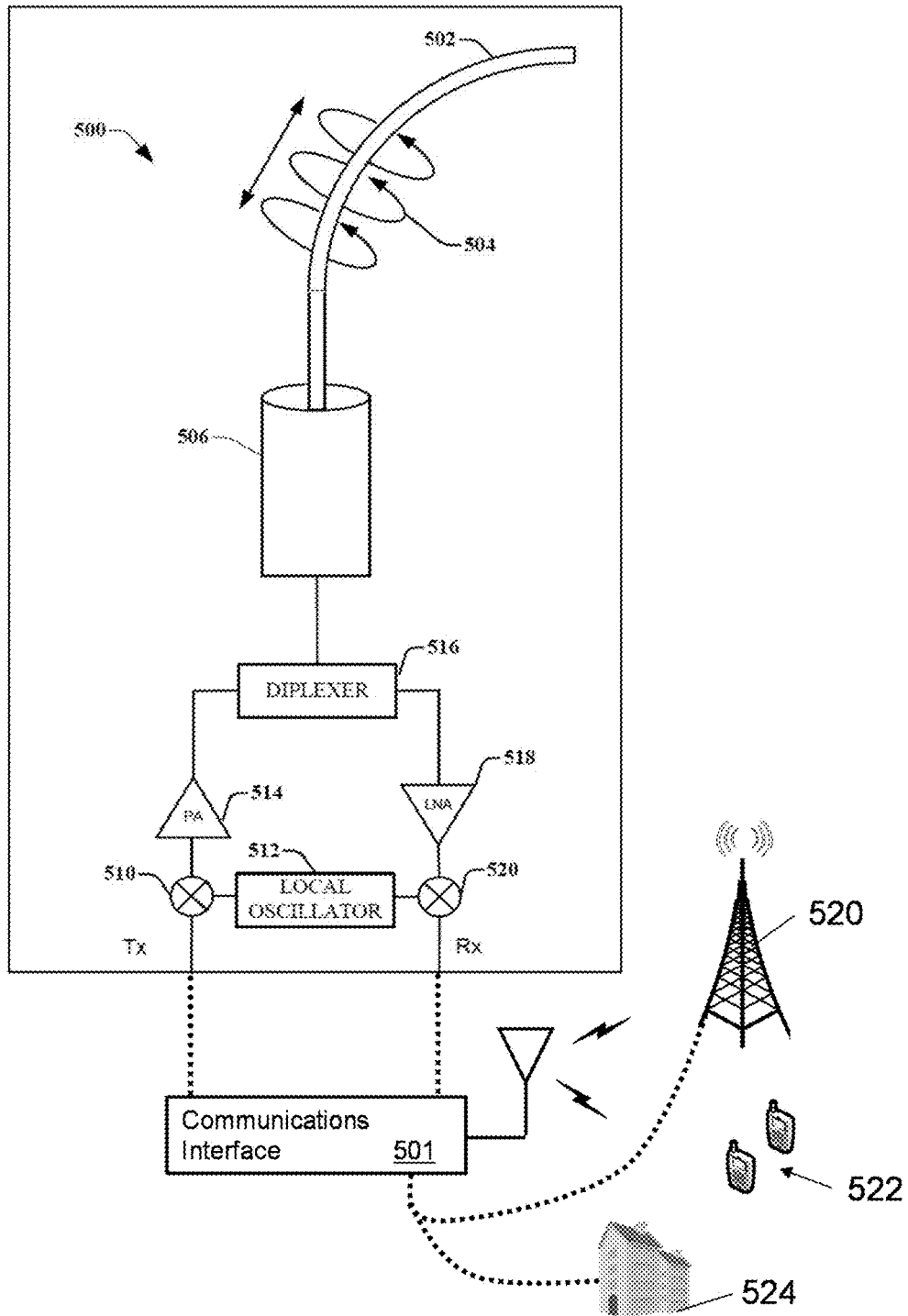


FIG. 5a

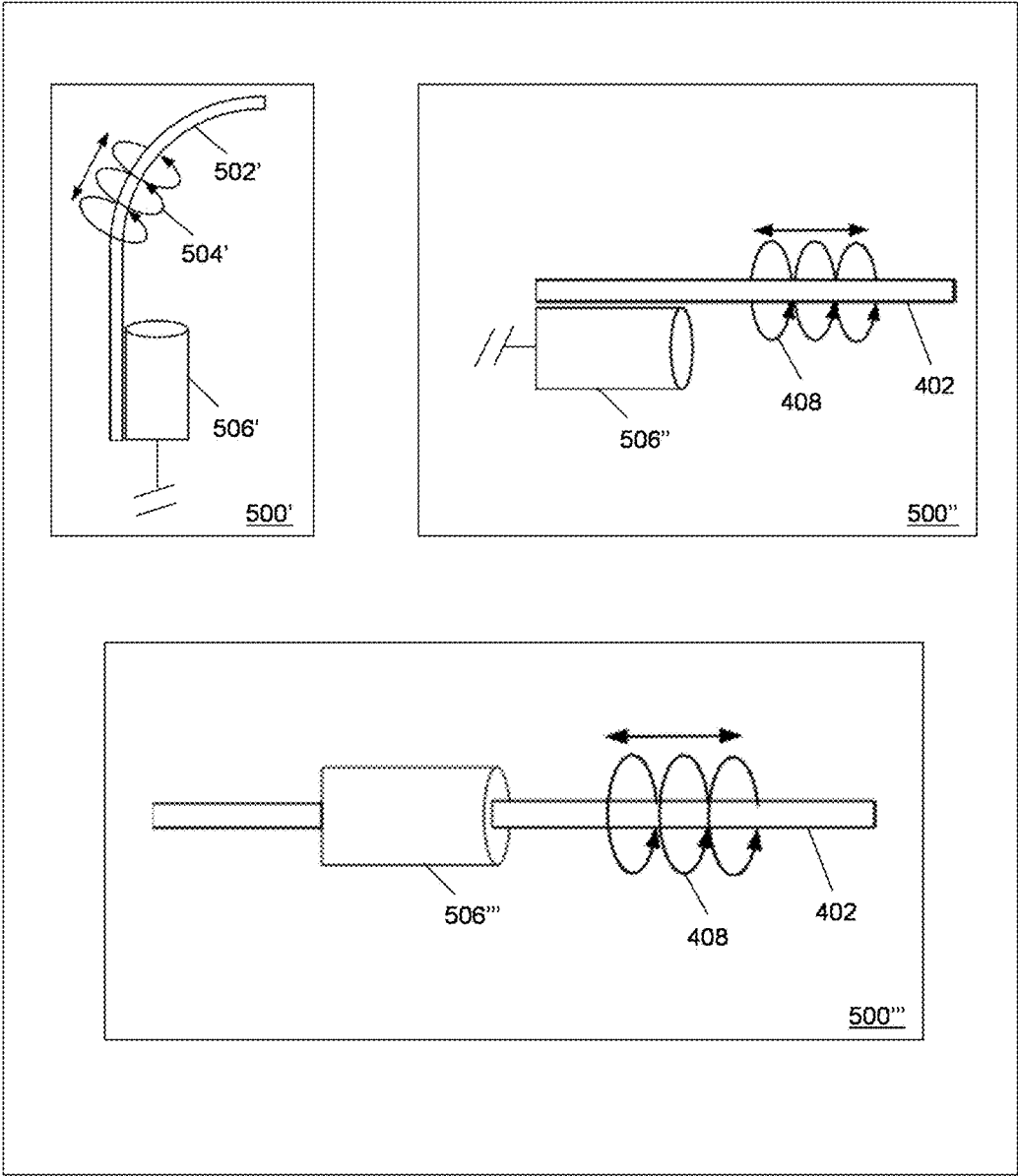


FIG. 5b

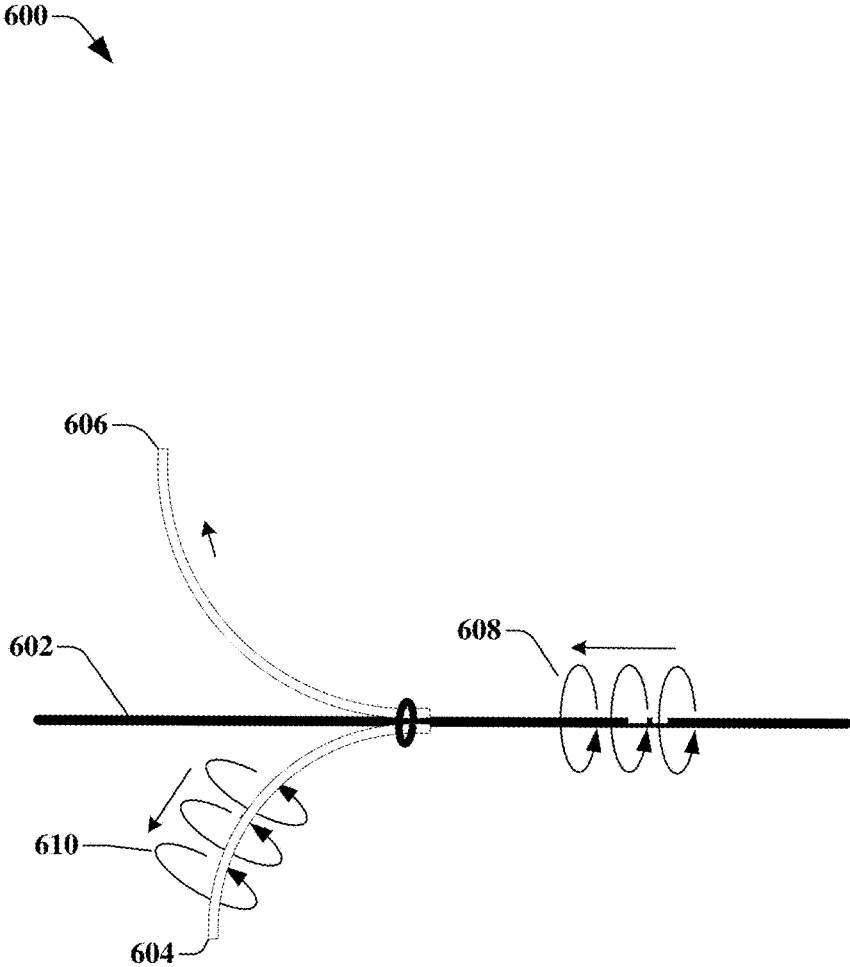


FIG. 6

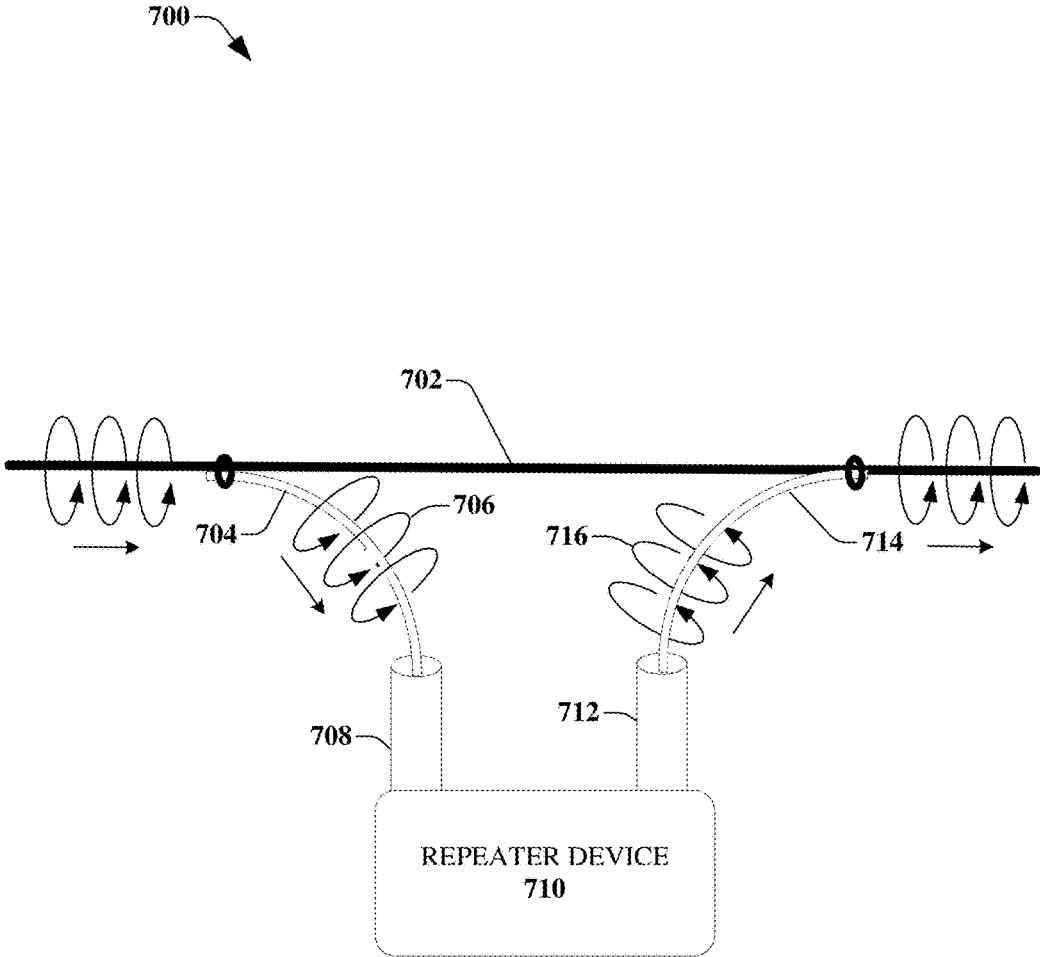


FIG. 7

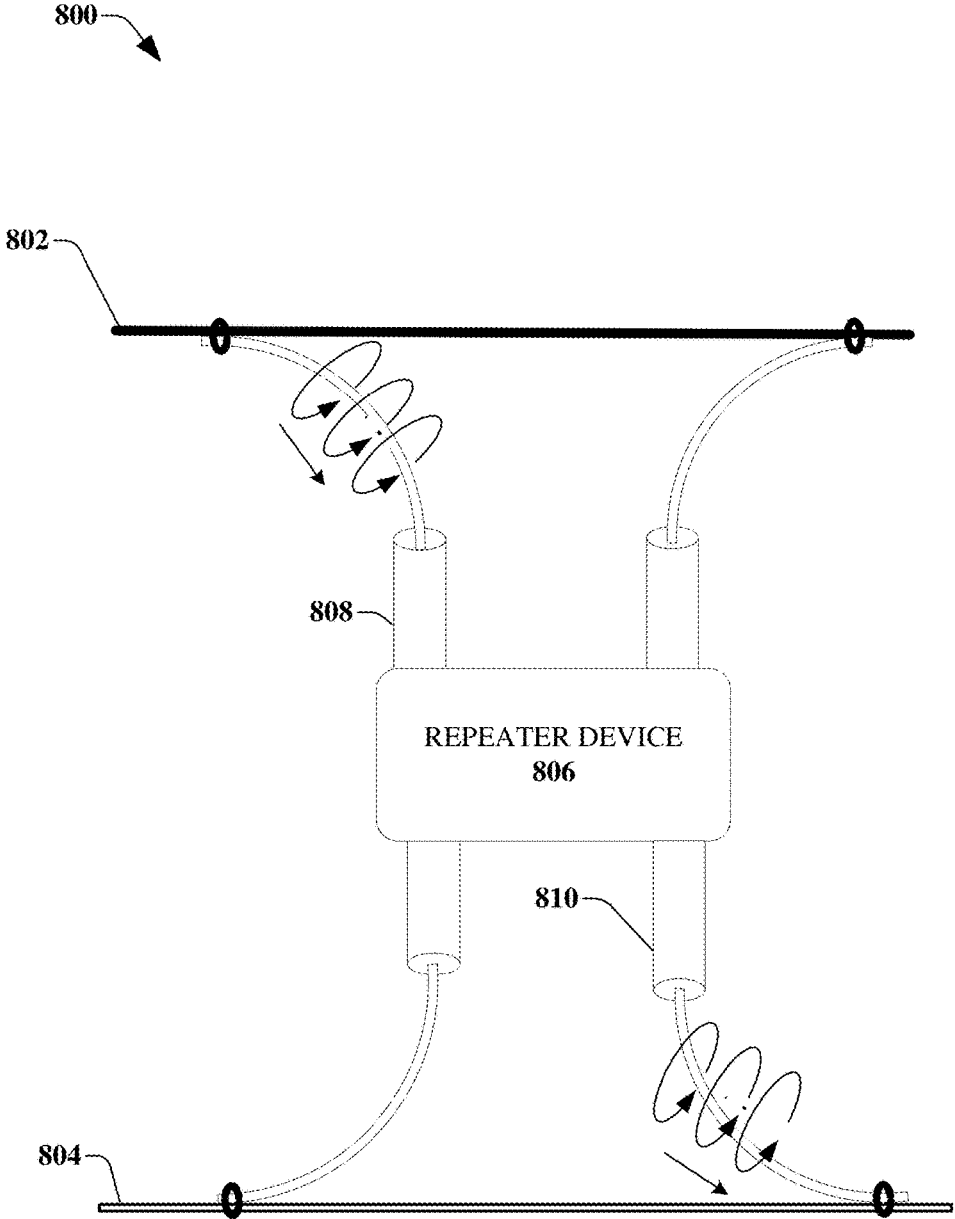


FIG. 8

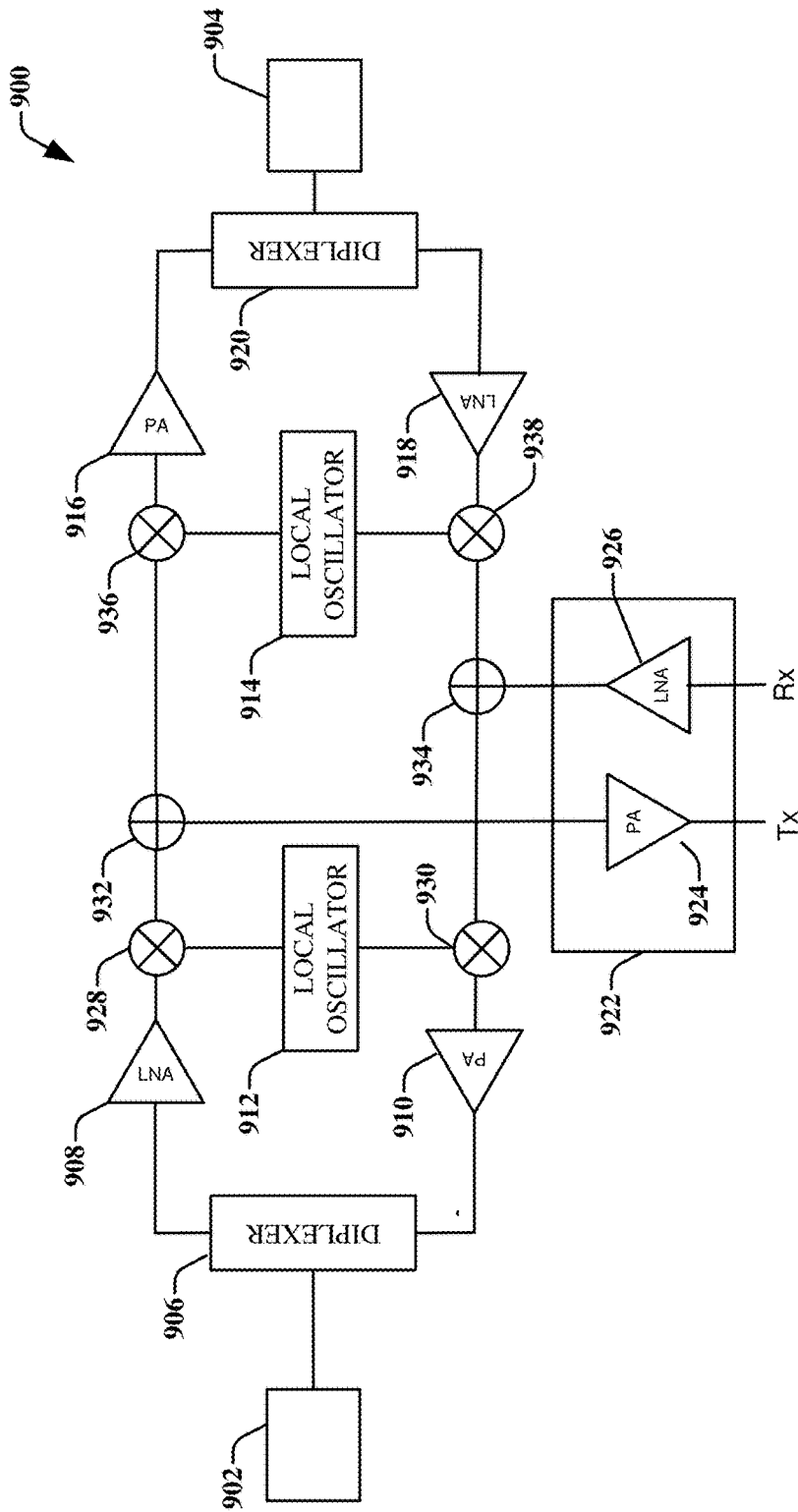


FIG. 9

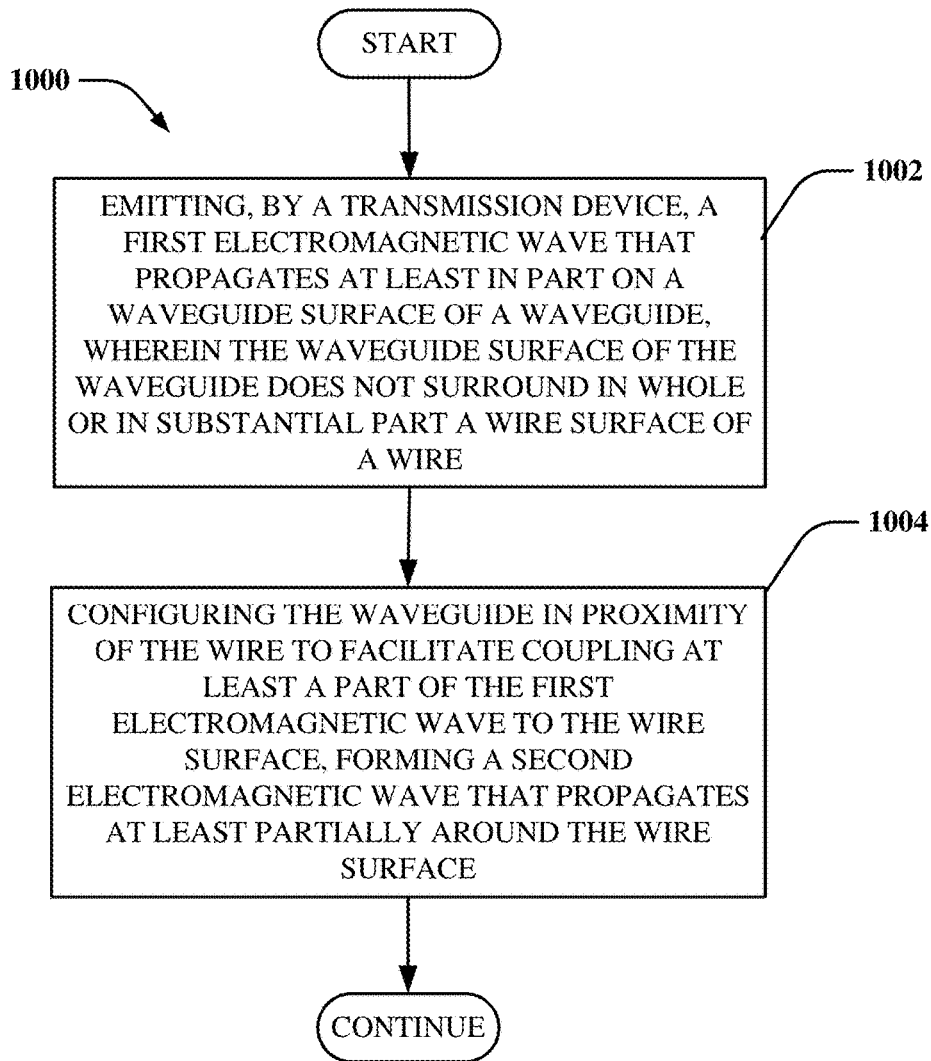


FIG. 10

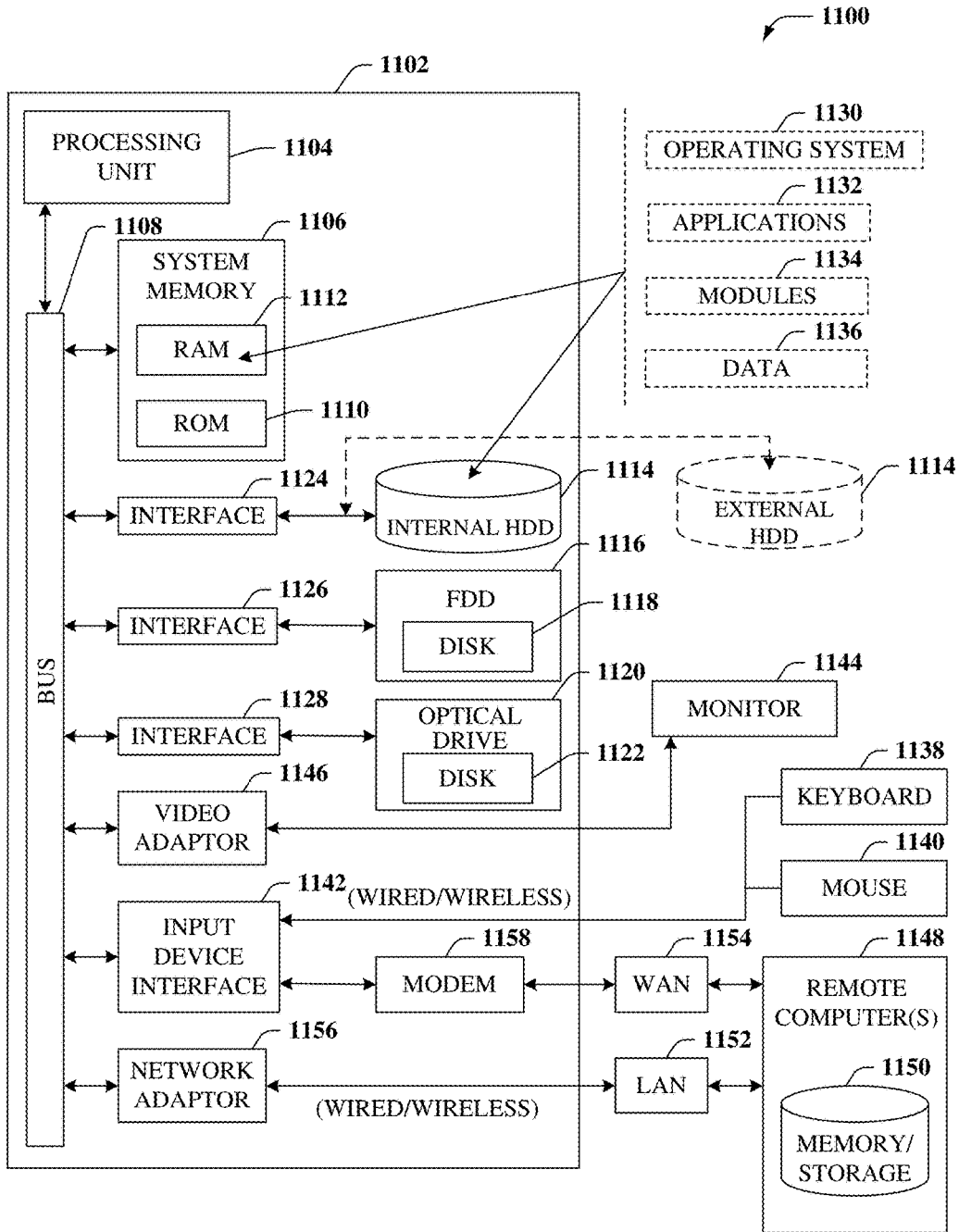


FIG. 11

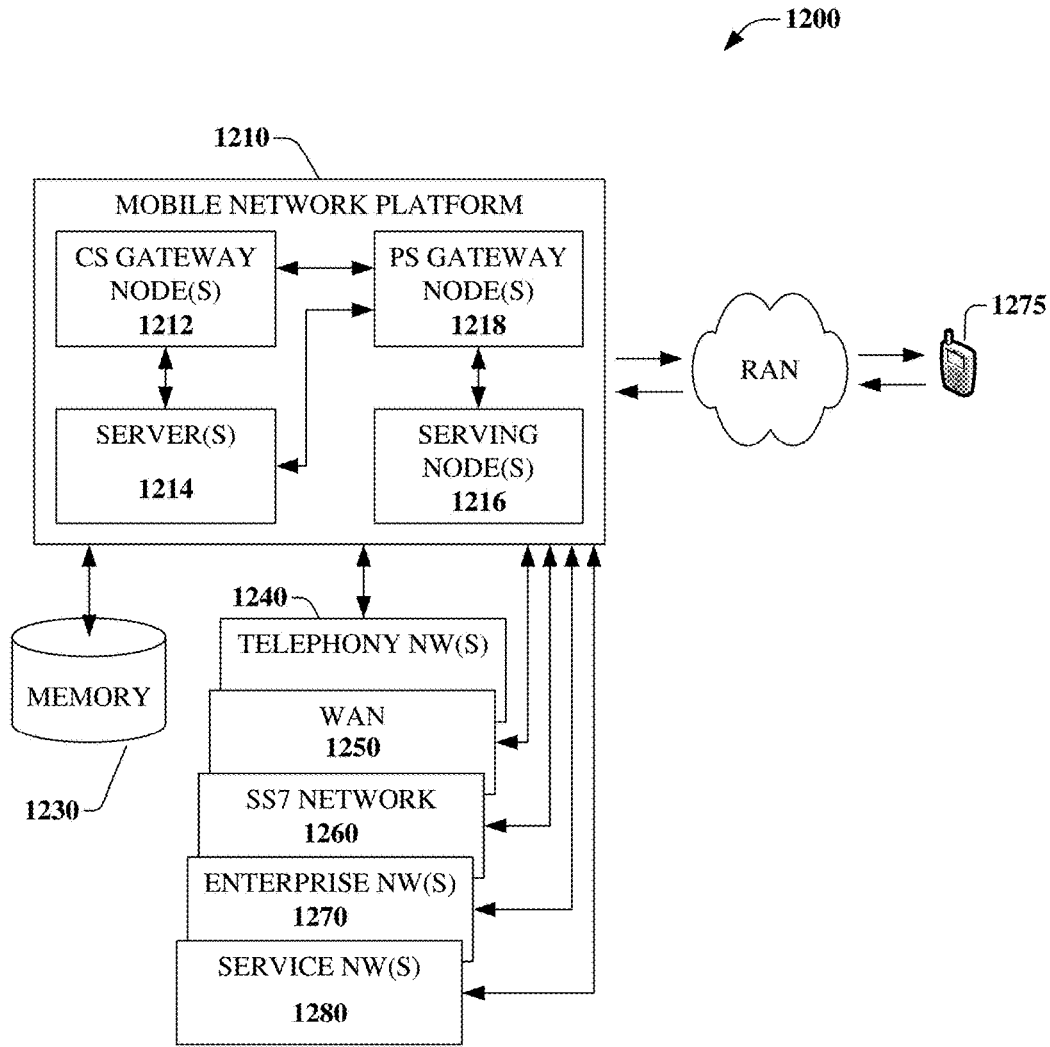


FIG. 12

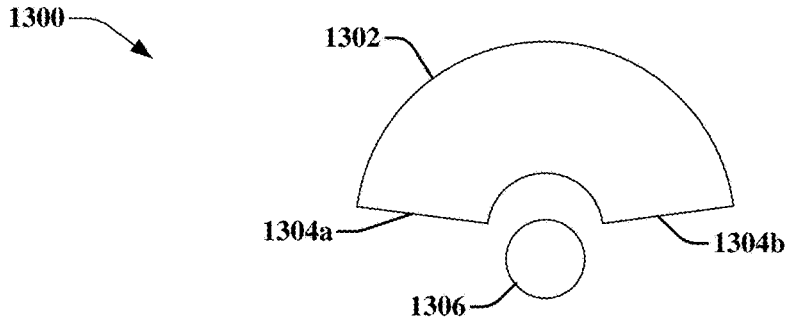


FIG. 13a

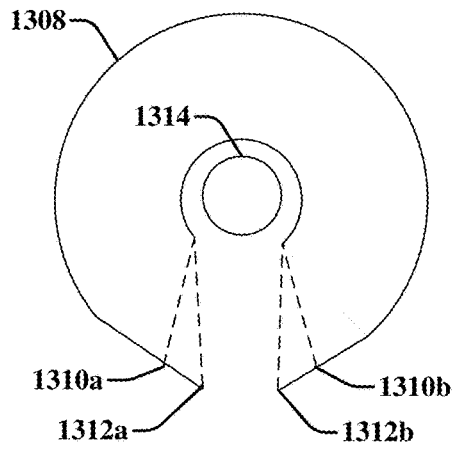


FIG. 13b

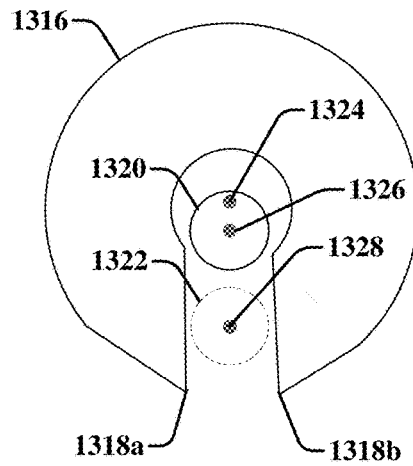


FIG. 13c

1400

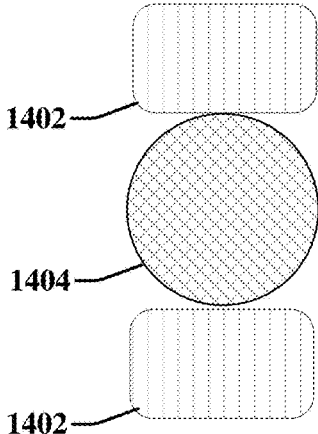


FIG. 14a

1410

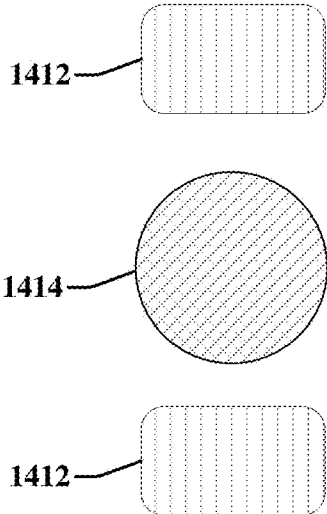


FIG. 14b

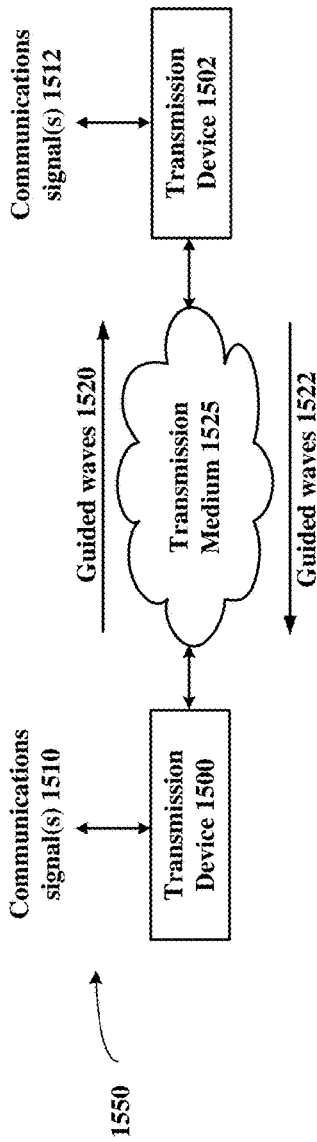


FIG. 15

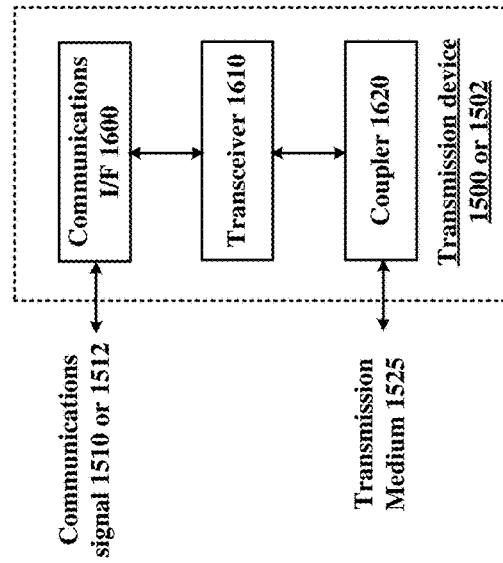


FIG. 16

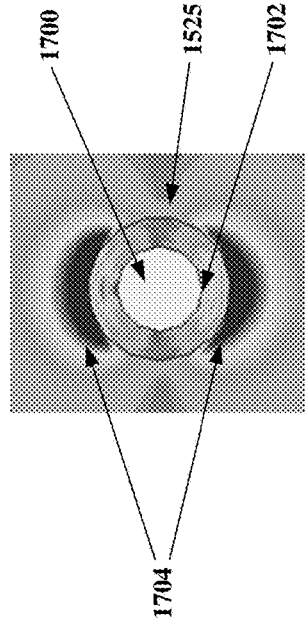


FIG. 17

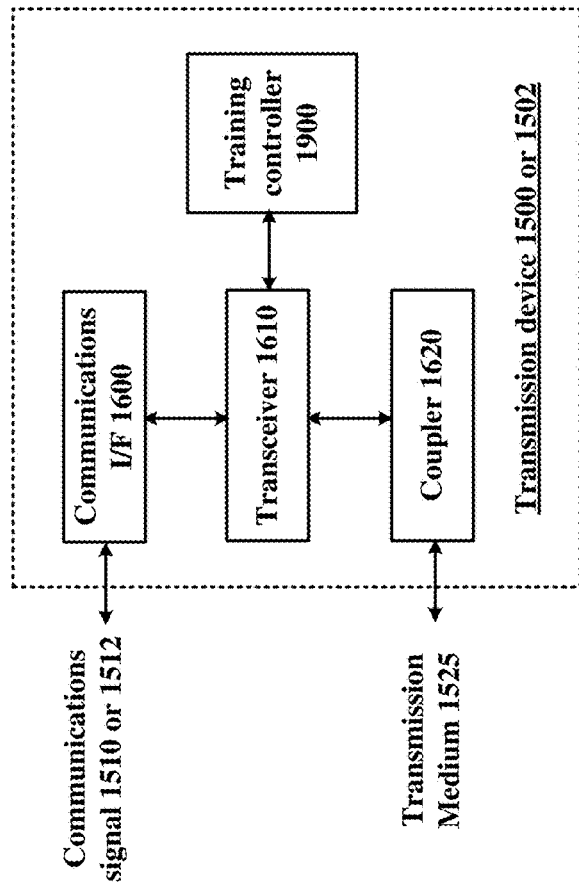


FIG. 19

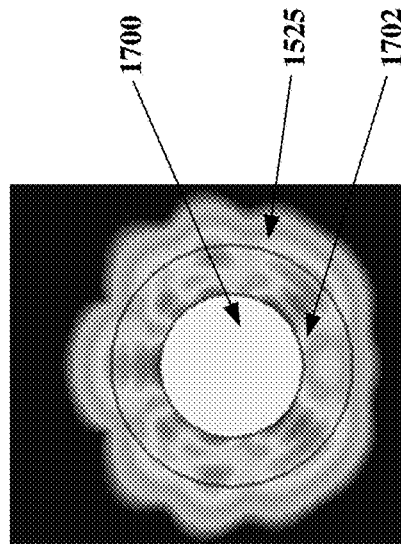


FIG. 18

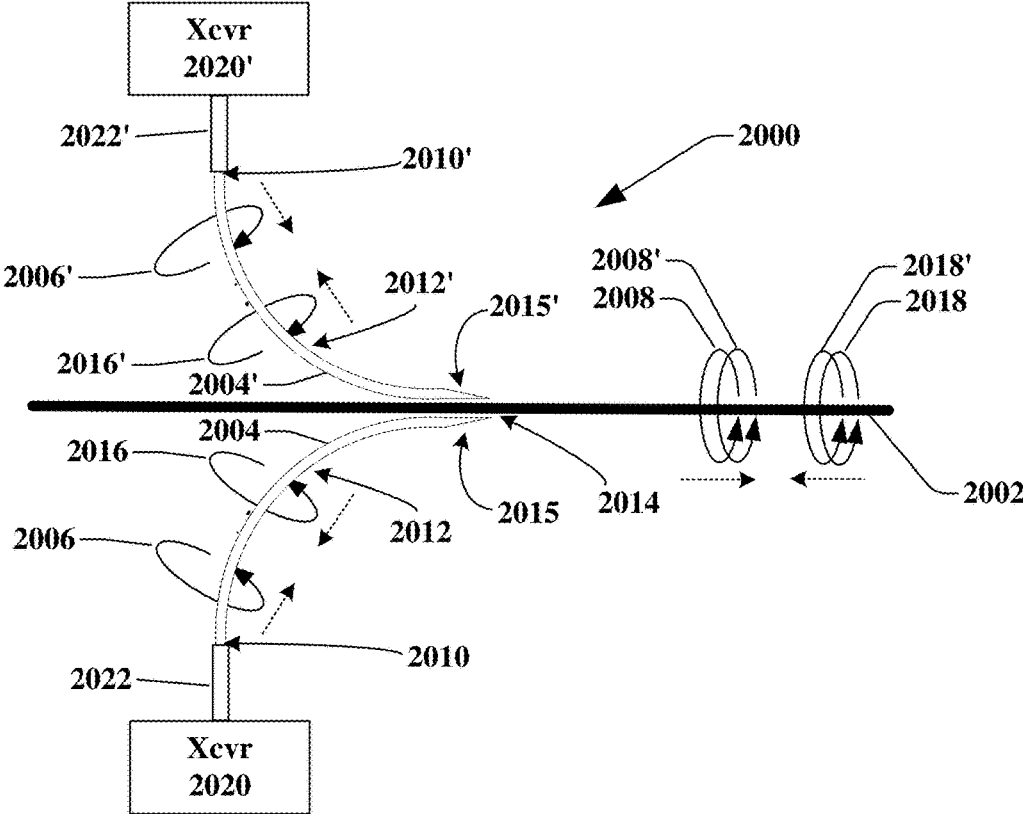


FIG. 20

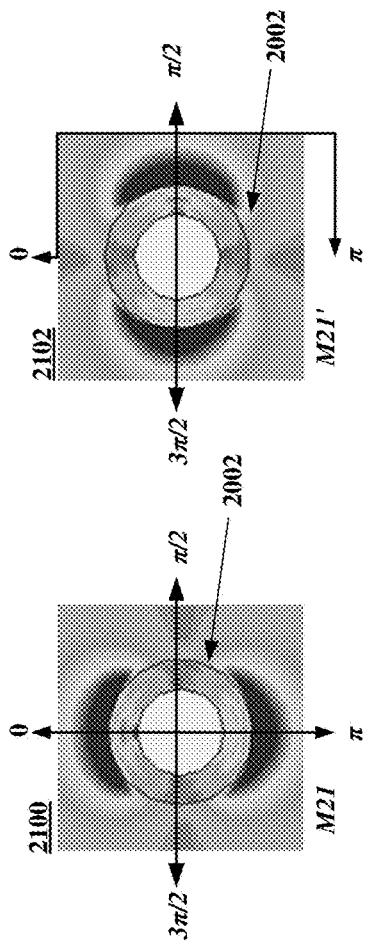


FIG. 21

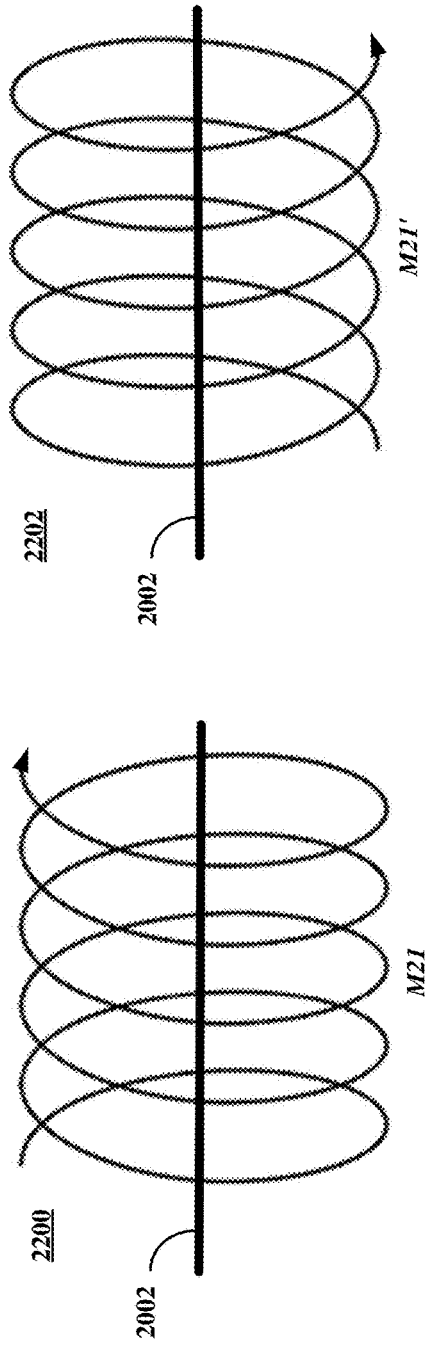


FIG. 22

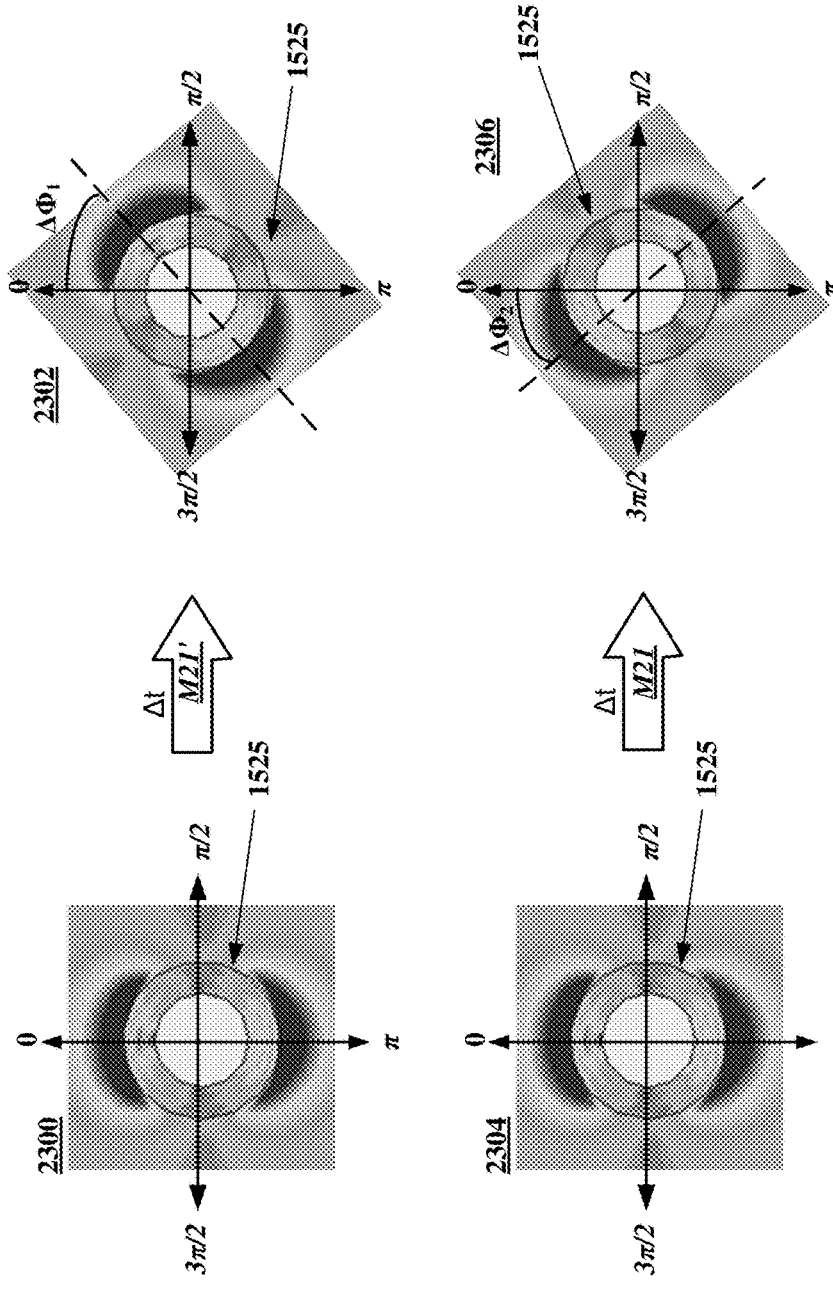


FIG. 23

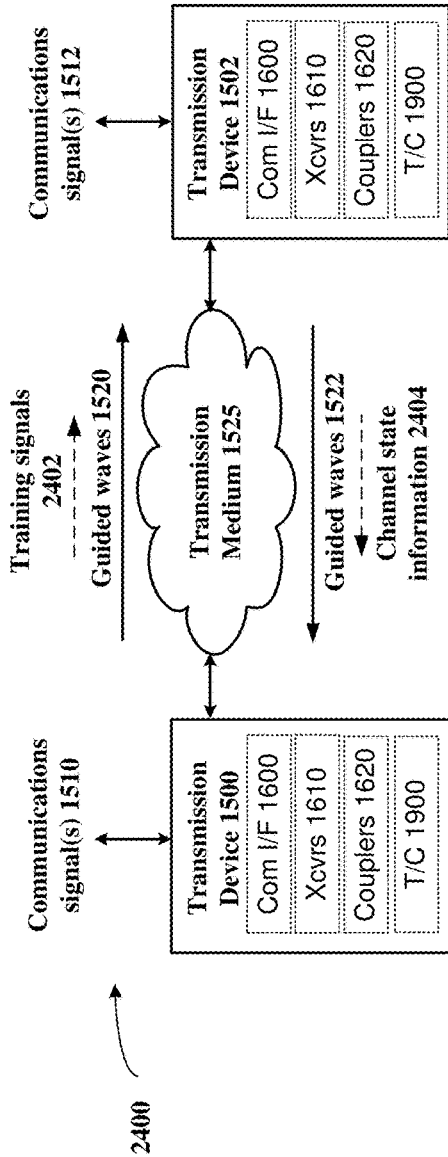


FIG. 24

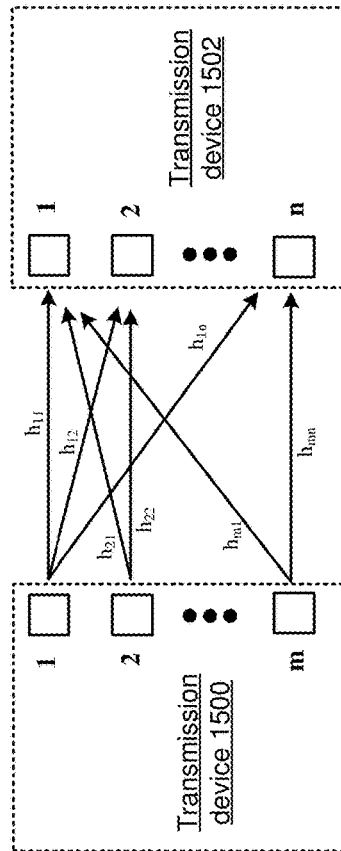


FIG. 25

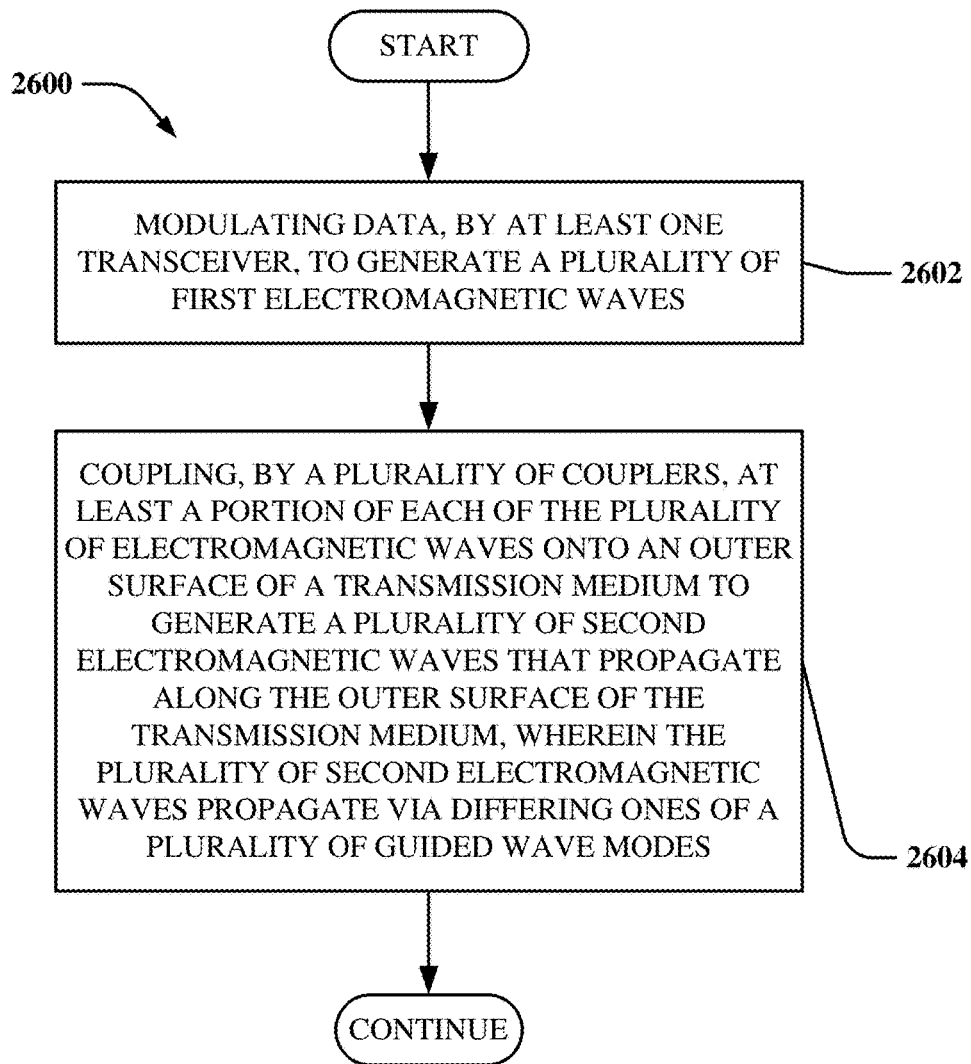
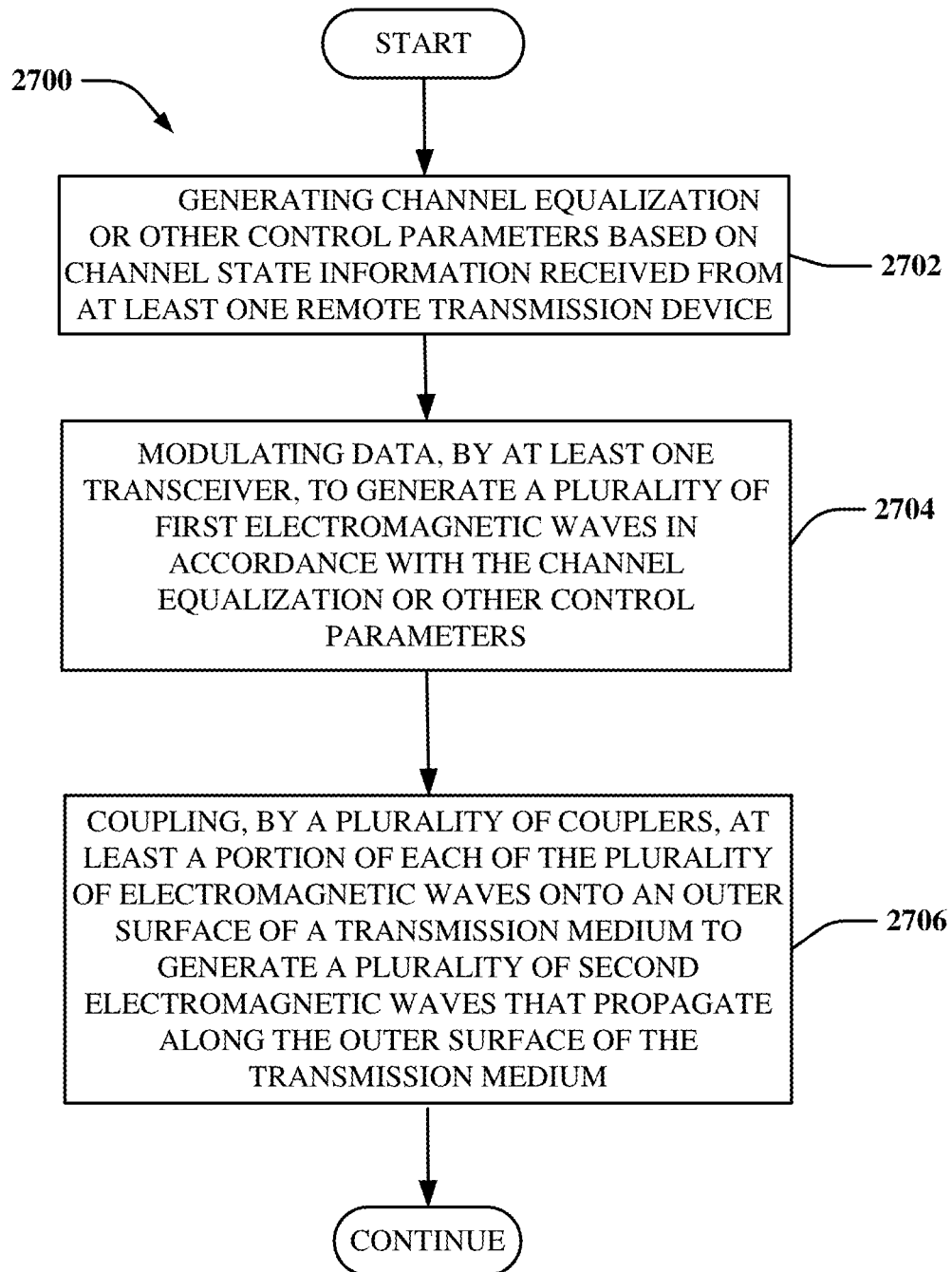


FIG. 26

**FIG. 27**

TRANSMISSION DEVICE WITH CHANNEL EQUALIZATION AND CONTROL AND METHODS FOR USE THEREWITH

CROSS-REFERENCE TO RELATED APPLICATIONS

This application claims priority to U.S. patent application Ser. No. 14/548,429 filed Nov. 20, 2014. The contents of the foregoing are hereby incorporated by reference into this application as if set forth herein in full.

FIELD OF THE DISCLOSURE

The subject disclosure relates to communications via microwave transmission in a communication network.

BACKGROUND

As smart phones and other portable devices increasingly become ubiquitous, and data usage increases, macrocell base station devices and existing wireless infrastructure in turn require higher bandwidth capability in order to address the increased demand. To provide additional mobile bandwidth, small cell deployment is being pursued, with microcells and picocells providing coverage for much smaller areas than traditional macrocells.

BRIEF DESCRIPTION OF THE DRAWINGS

FIG. 1 is a block diagram illustrating an example, non-limiting embodiment of a guided wave communications system in accordance with various aspects described herein.

FIG. 2 is a block diagram illustrating an example, non-limiting embodiment of a dielectric waveguide coupler in accordance with various aspects described herein.

FIG. 3 is a block diagram illustrating an example, non-limiting embodiment of a dielectric waveguide coupler in accordance with various aspects described herein.

FIG. 4 is a block diagram illustrating an example, non-limiting embodiment of a dielectric waveguide coupler in accordance with various aspects described herein.

FIGS. 5A and 5B are block diagrams illustrating example, non-limiting embodiments of a dielectric waveguide coupler and transceiver in accordance with various aspects described herein.

FIG. 6 is a block diagram illustrating an example, non-limiting embodiment of a dual dielectric waveguide coupler in accordance with various aspects described herein.

FIG. 7 is a block diagram illustrating an example, non-limiting embodiment of a bidirectional dielectric waveguide coupler in accordance with various aspects described herein.

FIG. 8 illustrates a block diagram illustrating an example, non-limiting embodiment of a bidirectional dielectric waveguide coupler in accordance with various aspects described herein.

FIG. 9 illustrates a block diagram illustrating an example, non-limiting embodiment of a bidirectional repeater system in accordance with various aspects described herein.

FIG. 10 illustrates a flow diagram of an example, non-limiting embodiment of a method for transmitting a transmission with a dielectric waveguide coupler as described herein.

FIG. 11 is a block diagram of an example, non-limiting embodiment of a computing environment in accordance with various aspects described herein.

FIG. 12 is a block diagram of an example, non-limiting embodiment of a mobile network platform in accordance with various aspects described herein.

FIGS. 13a, 13b, and 13c are block diagrams illustrating example, non-limiting embodiments of a slotted waveguide coupler in accordance with various aspects described herein.

FIGS. 14a and 14b are a block diagrams illustrating an example, non-limiting embodiment of a waveguide coupling system in accordance with various aspects described herein.

FIG. 15 is a block diagram illustrating an example, non-limiting embodiment of a guided wave communication system in accordance with various aspects described herein.

FIG. 16 is a block diagram illustrating an example, non-limiting embodiment of a transmission device in accordance with various aspects described herein.

FIG. 17 is a diagram illustrating an example, non-limiting embodiment of an electromagnetic distribution in accordance with various aspects described herein.

FIG. 18 is a diagram illustrating an example, non-limiting embodiment of an electromagnetic distribution in accordance with various aspects described herein.

FIG. 19 is a block diagram illustrating an example, non-limiting embodiment of a transmission device in accordance with various aspects described herein.

FIG. 20 is a block diagram of an example, non-limiting embodiment of a transmission device in accordance with various aspects described herein.

FIG. 21 is a diagram illustrating example, non-limiting embodiments of electromagnetic distributions in accordance with various aspects described herein.

FIG. 22 is a diagram illustrating example, non-limiting embodiments of propagation patterns in accordance with various aspects described herein.

FIG. 23 is a diagram illustrating example, non-limiting embodiments of electromagnetic distributions in accordance with various aspects described herein.

FIG. 24 is a block diagram illustrating an example, non-limiting embodiment of a guided wave communication system in accordance with various aspects described herein.

FIG. 25 is a diagram illustrating an example, non-limiting embodiment of channel parameters in accordance with various aspects described herein.

FIG. 26 illustrates a flow diagram of an example, non-limiting embodiment of a method as described herein.

FIG. 27 illustrates a flow diagram of an example, non-limiting embodiment of a method as described herein.

DETAILED DESCRIPTION

One or more embodiments are now described with reference to the drawings, wherein like reference numerals are used to refer to like elements throughout. In the following description, for purposes of explanation, numerous details are set forth in order to provide a thorough understanding of the various embodiments. It is evident, however, that the various embodiments can be practiced in different combinations and without these details (and without applying to any particular networked environment or standard).

To provide network connectivity to additional base station devices, the backhaul network that links the communication cells (e.g., microcells and macrocells) to network devices of the core network correspondingly expands. Similarly, to provide network connectivity to a distributed antenna system, an extended communication system that links base station devices and their distributed antennas is desirable. A guided wave communication system can be provided to enable alternative, increased or additional network connec-

tivity and a waveguide coupling system can be provided to transmit and/or receive guided wave (e.g., surface wave) communications on a transmission medium, such as a wire or other conductor that operates as a single-wire transmission line or a dielectric material that operates as a waveguide and/or another transmission medium that otherwise operates to guide the transmission of an electromagnetic wave.

In an example embodiment, a waveguide coupler that is utilized in a waveguide coupling system can be made of a dielectric material, or other low-loss insulator (e.g., Teflon, polyethylene, etc.), or can be made of a conducting (e.g., metallic, non-metallic, etc.) material, or any combination of the foregoing materials. Reference throughout the detailed description to “dielectric waveguide” is for illustration purposes and does not limit embodiments to being constructed solely of dielectric materials. In other embodiments, other dielectric or insulating materials are possible. It will be appreciated that a variety of transmission media such as: wires, whether insulated or not, and whether single-stranded or multi-stranded; conductors of other shapes or configurations including wire bundles, cables, rods, rails, pipes; non-conductors such as dielectric pipes, rods, rails, or other dielectric members; combinations of conductors and dielectric materials; or other guided wave transmission media can be utilized with guided wave communications without departing from example embodiments.

For these and/or other considerations, in one or more embodiments, a transmission device includes a communications interface that receives a first communication signal that includes first data. A transceiver generates a first electromagnetic wave based on the first communication signal to convey the first data, the first electromagnetic wave having at least one carrier frequency and at least one corresponding wavelength. A coupler couples the first electromagnetic wave to a transmission medium having at least one inner portion surrounded by a dielectric material, the dielectric material having an outer surface and a corresponding circumference, wherein the coupling of the first electromagnetic wave to the transmission medium forms a second electromagnetic wave that is guided to propagate along the outer surface of the dielectric material via at least one guided wave mode that includes an asymmetric mode, wherein the at least one carrier frequency is within a millimeter wave frequency band and wherein the at least one corresponding wavelength is less than the circumference of the transmission medium.

In one or more embodiments, a transmission device includes a transmitter that generates a first electromagnetic wave based on a communication signal to convey data, the first electromagnetic wave having at least one carrier frequency and at least one corresponding wavelength. A coupler couples the first electromagnetic wave to a single wire transmission medium having an outer surface and a corresponding circumference, wherein the coupling of the first electromagnetic wave to the single wire transmission medium forms a second electromagnetic wave that is guided to propagate along the outer surface of the single wire transmission medium via at least one guided wave mode that includes an asymmetric mode, wherein the at least one carrier frequency is within a millimeter wave frequency band and wherein the at least one corresponding wavelength is less than the circumference of the single wire transmission medium.

In one or more embodiments, a method includes generating a first electromagnetic wave based on a communication signal to convey data, the first electromagnetic wave having at least one carrier frequency and at least one

corresponding wavelength. A coupler couples the first electromagnetic wave to a single wire transmission medium having an outer dielectric surface and a corresponding circumference, wherein the coupling of the first electromagnetic wave to the single wire transmission medium forms a second electromagnetic wave that is guided to propagate along the outer dielectric surface of the single wire transmission medium via at least one guided wave mode, wherein the at least one carrier frequency is within a millimeter wave frequency band and wherein the at least one corresponding wavelength is less than the circumference of the single wire transmission medium.

In one or more embodiments, a transmission device includes a communications interface that receives a first communication signal that includes first data. A transceiver generates a first electromagnetic wave based on the first communication signal to convey the first data, the first electromagnetic wave having at least one carrier frequency. A coupler couples the first electromagnetic wave to a transmission medium having at least one inner portion surrounded by a dielectric material, the dielectric material having an outer surface and a corresponding circumference, wherein the coupling of the first electromagnetic wave to the transmission medium forms a second electromagnetic wave that is guided to propagate along the outer surface of the dielectric material via at least one guided wave mode that includes an asymmetric mode having a lower cutoff frequency, and wherein the at least one carrier frequency is selected to be within a limited range of the lower cutoff frequency.

Various embodiments described herein relate to a transmission system for launching and extracting guided wave (e.g., surface wave communications that are electromagnetic waves) transmissions from a wire. At millimeter-wave frequencies, wherein the wavelength is small compared to the size of the equipment, transmissions can propagate as waves guided by a waveguide, such as a strip or length of dielectric material or other coupler. The electromagnetic field structure of the guided wave can be inside and/or outside of the coupler. When this coupler is brought into close proximity to a transmission medium (e.g., a wire, utility line or other transmission medium), at least a portion of the guided wave decouples from the waveguide and couples to the transmission medium, and continues to propagate as guided waves, such as surface waves about the surface of the wire.

In one or more embodiments, a coupler includes a receiving portion that receives a first electromagnetic wave conveying first data from a transmitting device. A guiding portion guides the first electromagnetic wave to a junction for coupling the first electromagnetic wave to a transmission medium. The first electromagnetic wave propagates via at least one first guided wave mode. The coupling of the first electromagnetic wave to the transmission medium forms a second electromagnetic wave that is guided to propagate along the outer surface of the transmission medium via at least one second guided wave mode that differs from the at least one first guided wave mode.

In one or more embodiments, a coupling module includes a plurality of receiving portions that receive a corresponding plurality of first electromagnetic waves conveying first data. A plurality of guiding portions guide the plurality of first electromagnetic waves to a corresponding plurality of junctions for coupling the plurality of first electromagnetic waves to a transmission medium. The plurality of first electromagnetic waves propagate via at least one first guided wave mode and the coupling of the plurality of first electromagnetic waves to the transmission medium forms a

plurality of second electromagnetic waves that are guided to propagate along the outer surface of the transmission medium via at least one second guided wave mode that differs from the at least one first guided wave mode.

In one or more embodiments, a transmission device includes at least one transceiver configured to modulate data to generate a plurality of first electromagnetic waves. A plurality of couplers are configured to couple at least a portion of the plurality of first electromagnetic waves to a transmission medium, wherein the plurality of couplers generate a plurality of mode division multiplexed second electromagnetic waves that propagate along the outer surface of the transmission medium. For example, the plurality of second electromagnetic waves can propagate along the outer surface of the transmission medium via differing ones of a plurality of guided wave modes.

In one or more embodiments, a transmission device includes at least one transceiver configured to modulate data to generate a plurality of first electromagnetic waves in accordance with channel control parameters. A plurality of couplers are configured to couple at least a portion of the plurality of first electromagnetic waves to a transmission medium, wherein the plurality of couplers generate a plurality of second electromagnetic waves that propagate along the outer surface of the transmission medium. A training controller is configured to generate the channel control parameters based on channel state information received from at least one remote transmission device.

According to an example embodiment, the electromagnetic wave is a surface wave, which is a type of guided wave that is guided by a surface of the transmission medium, which can include an exterior or outer surface of the wire, exterior or outer surface of a dielectric coating or insulating jacket, or another surface of a transmission medium that is adjacent to or exposed to another type of medium having different properties (e.g., dielectric properties). Indeed, in an example embodiment, a surface of the transmission that guides a surface wave can represent a transitional surface between two different types of media. For example, in the case of a bare or uninsulated wire, the surface of the wire can be the outer or exterior conductive surface of the bare or uninsulated wire that is exposed to air or free space. As another example, in the case of insulated wire, the surface of the wire can be the conductive portion of the wire that meets the insulator portion of the wire, or can otherwise be the insulated surface of the wire that is exposed to air or free space, or can otherwise be any material region between the insulated surface of the wire and the conductive portion of the wire that meets the insulator portion of the wire, depending upon the relative differences in the properties (e.g., dielectric properties) of the insulator, air, and/or the conductor and further dependent on the frequency and propagation mode or modes of the guided wave.

According to an example embodiment, guided waves such as surface waves can be contrasted with radio transmissions over free space/air or conventional propagation of electrical power or signals through the conductor of the wire. Indeed, with surface wave or guided wave systems described herein, conventional electrical power or signals can still propagate or be transmitted through the conductor of the wire, while guided waves (including surface waves and other electromagnetic waves) can surround all or part of the surface of the wire and propagate along the wire with low loss, according to an example embodiment. In an example embodiment, a surface wave can have a field structure (e.g.,

an electromagnetic field structure) that lies primarily or substantially outside of the transmission medium that serves to guide the surface wave.

In an example embodiment, the guided waves employed herein can be contrasted with Sommerfeld waves used as a means of propagation along a wire which are limited to waves having a wavelength greater than, not less than, the circumference of the wire. In an example embodiment, the guided waves employed herein can be contrasted with G-Wave and E-Wave systems that operate via the propagation of the fundamental mode and not based on the propagation of at least one asymmetric mode. In an example embodiment, the guided waves employed herein can be contrasted with surface plasmon wave propagation along single metal wire premised on the electron bunches that form in conductors at frequencies such as optical frequencies, well above, and not less than γ , the mean collision frequency of electrons of the conducting material. These prior art systems have failed to address guided wave propagation for a transmission medium, where the guided wave includes an asymmetric mode that propagates at low loss frequencies, such as in the millimeter wave band, that are less than the mean collision frequency of electrons of the conducting material. These prior art systems have failed to address guided wave propagation for a transmission medium that includes an outer dielectric, where the guided wave includes an asymmetric mode that propagates with low loss with fields concentrated about the outer surface of the dielectric.

According to an example embodiment, the electromagnetic waves traveling along a wire are induced by other electromagnetic waves traveling along a waveguide in proximity to the wire. The inducement of the electromagnetic waves can be independent of any electrical potential, charge or current that is injected or otherwise transmitted through the wires as part of an electrical circuit. It is to be appreciated that while a small current in the wire may be formed in response to the propagation of the electromagnetic wave through the wire, this can be due to the propagation of the electromagnetic wave along the wire surface, and is not formed in response to electrical potential, charge or current that is injected into the wire as part of an electrical circuit. The electromagnetic waves traveling on the wire therefore do not require a circuit to propagate along the wire surface. The wire therefore is a single wire transmission line that does not require a circuit. Also, in some embodiments, a wire is not necessary, and the electromagnetic waves can propagate along a single line transmission medium that is not a wire.

According to an example embodiment, the term “single wire transmission medium” is used in conjunction with transmission via electromagnetic waves that are guided by a wire, but do not require the wire to be part of a circuit to support such propagation. A transmission system may include multiple single wire transmission media that act to transmit such guided waves, with different waves being guided by differing ones of the single wire transmission media.

According to an example embodiment, the term “about” a wire used in conjunction with a guided wave (e.g., surface wave) can include fundamental wave propagation modes and other guided waves having a circular or substantially circular field distribution (e.g., electric field, magnetic field, electromagnetic field, etc.) at least partially around a wire. In addition, when a guided wave propagates “about” a wire, it propagates longitudinally along the wire via a wave propagation mode (at least one guided wave mode) that can

include not only the fundamental wave propagation modes (e.g., zero order modes), but additionally or alternatively other non-fundamental wave propagation modes such as higher-order guided wave modes (e.g., 1st order modes, 2nd order modes, etc.), asymmetrical modes and/or other guided (e.g., surface) waves that have non-circular field distributions around a wire.

For example, such non-circular field distributions can be unilateral or multi-lateral with one or more azimuthal lobes characterized by relatively higher field strength and/or one or more nulls or null regions characterized by relatively low-field strength, zero-field strength or substantially zero field strength. Further, the field distribution can otherwise vary as a function of a longitudinal azimuthal orientation around the wire such that one or more regions of azimuthal orientation around the wire have an electric or magnetic field strength (or combination thereof) that is higher than one or more other regions of azimuthal orientation, according to an example embodiment. It will be appreciated that the relative positions of the higher order modes or asymmetrical modes can vary as the guided wave travels along the wire.

Referring now to FIG. 1, a block diagram illustrating an example, non-limiting embodiment of a guided wave communication system 100 is shown. Guided wave communication system 100 depicts an exemplary environment in which a transmission device, coupler or coupling module can be used.

Guided wave communication system 100 can be a distributed antenna system that includes one or more base station devices (e.g., base station device 104) that are communicably coupled to a macrocell site 102 or other network connection. Base station device 104 can be connected by a wired (e.g., fiber and/or cable), or by a wireless (e.g., microwave wireless) connection to macrocell site 102. Macrocells such as macrocell site 102 can have dedicated connections to the mobile network and base station device 104 can share and/or otherwise use macrocell site 102's connection. Base station device 104 can be mounted on, or attached to, utility pole 116. In other embodiments, base station device 104 can be near transformers and/or other locations situated nearby a power line.

Base station device 104 can facilitate connectivity to a mobile network for mobile devices 122 and 124. Antennas 112 and 114, mounted on or near utility poles 118 and 120, respectively, can receive signals from base station device 104 and transmit those signals to mobile devices 122 and 124 over a much wider area than if the antennas 112 and 114 were located at or near base station device 104.

It is noted that FIG. 1 displays three utility poles, with one base station device, for purposes of simplicity. In other embodiments, utility pole 116 can have more base station devices, and one or more utility poles with distributed antennas are possible.

A transmission device, such as dielectric waveguide coupling device 106 can transmit the signal from base station device 104 to antennas 112 and 114 via utility or power line(s) that connect the utility poles 116, 118, and 120. To transmit the signal, radio source and/or coupler 106 upconverts the signal (e.g., via frequency mixing) from base station device 104 or otherwise converts the signal from the base station device 104 to a millimeter-wave band signal having at least one carrier frequency in the millimeter wave frequency band. The dielectric waveguide coupling device 106 launches a millimeter-wave band wave that propagates as a guided wave (e.g., surface wave or other electromagnetic wave) traveling along the utility line or other wire. At utility pole 118, another transmission device, such as dielec-

tric waveguide coupling device 108 that receives the guided wave (and optionally can amplify it as needed or desired or operate as a digital repeater to receive it and regenerate it) and sends it forward as a guided wave (e.g., surface wave or other electromagnetic wave) on the utility line or other wire. The dielectric waveguide coupling device 108 can also extract a signal from the millimeter-wave band guided wave and shift it down in frequency or otherwise convert it to its original cellular band frequency (e.g., 1.9 GHz or other defined cellular frequency) or another cellular (or non-cellular) band frequency. An antenna 112 can transmit (e.g., wirelessly transmit) the downshifted signal to mobile device 122. The process can be repeated by another transmission device, such as dielectric waveguide coupling device 110, antenna 114 and mobile device 124, as necessary or desirable.

Transmissions from mobile devices 122 and 124 can also be received by antennas 112 and 114 respectively. Repeaters on dielectric waveguide coupling devices 108 and 110 can upshift or otherwise convert the cellular band signals to millimeter-wave band and transmit the signals as guided wave (e.g., surface wave or other electromagnetic wave) transmissions over the power line(s) to base station device 104.

In an example embodiment, system 100 can employ diversity paths, where two or more utility lines or other wires are strung between the utility poles 116, 118, and 120 (e.g., two or more wires between poles 116 and 120) and redundant transmissions from base station 104 are transmitted as guided waves down the surface of the utility lines or other wires. The utility lines or other wires can be either insulated or uninsulated, and depending on the environmental conditions that cause transmission losses, the coupling devices can selectively receive signals from the insulated or uninsulated utility lines or other wires. The selection can be based on measurements of the signal-to-noise ratio of the wires, or based on determined weather/environmental conditions (e.g., moisture detectors, weather forecasts, etc.). The use of diversity paths with system 100 can enable alternate routing capabilities, load balancing, increased load handling, concurrent bi-directional or synchronous communications, spread spectrum communications, etc. (See FIG. 8 for more illustrative details).

It is noted that the use of the dielectric waveguide coupling devices 106, 108, and 110 in FIG. 1 are by way of example only, and that in other embodiments, other uses are possible. For instance, dielectric waveguide coupling devices can be used in a backhaul communication system, providing network connectivity to base station devices. Dielectric waveguide coupling devices can be used in many circumstances where it is desirable to transmit guided wave communications over a wire, whether insulated or not insulated. Dielectric waveguide coupling devices are improvements over other coupling devices due to no contact or limited physical and/or electrical contact with the wires that may carry high voltages. With dielectric waveguide coupling devices, the apparatus can be located away from the wire (e.g., spaced apart from the wire) and/or located on the wire so long as it is not electrically in contact with the wire, as the dielectric acts as an insulator, allowing for cheap, easy, and/or less complex installation. However, as previously noted conducting or non-dielectric couplers can be employed, particularly in configurations where the wires correspond to a telephone network, cable television network, broadband data service, fiber optic communications system or other network employing low voltages or having insulated transmission lines.

It is further noted, that while base station device **104** and macrocell site **102** are illustrated in an example embodiment, other network configurations are likewise possible. For example, devices such as access points or other wireless gateways can be employed in a similar fashion to extend the reach of other networks such as a wireless local area network, a wireless personal area network or other wireless network that operates in accordance with a communication protocol such as a 802.11 protocol, WIMAX protocol, UltraWideband protocol, Bluetooth protocol, Zigbee protocol or other wireless protocol.

Turning now to FIG. 2, illustrated is a block diagram of an example, non-limiting embodiment of a dielectric waveguide coupling system **200** in accordance with various aspects described herein. System **200** comprises a dielectric waveguide **204** that has a wave **206** propagating as a guided wave about a waveguide surface of the dielectric waveguide **204**. In an example embodiment, the dielectric waveguide **204** is curved, and at least a portion of the dielectric waveguide **204** can be placed near a wire **202** in order to facilitate coupling between the dielectric waveguide **204** and the wire **202**, as described herein. The dielectric waveguide **204** can be placed such that a portion of the curved dielectric waveguide **204** is parallel or substantially parallel to the wire **202**. The portion of the dielectric waveguide **204** that is parallel to the wire can be an apex of the curve, or any point where a tangent of the curve is parallel to the wire **202**. When the dielectric waveguide **204** is positioned or placed thusly, the wave **206** travelling along the dielectric waveguide **204** couples, at least in part, to the wire **202**, and propagates as guided wave **208** around or about the wire surface of the wire **202** and longitudinally along the wire **202**. The guided wave **208** can be characterized as a surface wave or other electromagnetic wave, although other types of guided waves **208** can be supported as well without departing from example embodiments. A portion of the wave **206** that does not couple to the wire **202** propagates as wave **210** along the dielectric waveguide **204**. It will be appreciated that the dielectric waveguide **204** can be configured and arranged in a variety of positions in relation to the wire **202** to achieve a desired level of coupling or non-coupling of the wave **206** to the wire **202**. For example, the curvature and/or length of the dielectric waveguide **204** that is parallel or substantially parallel, as well as its separation distance (which can include zero separation distance in an example embodiment), to the wire **202** can be varied without departing from example embodiments. Likewise, the arrangement of the dielectric waveguide **204** in relation to the wire **202** may be varied based upon considerations of the respective intrinsic characteristics (e.g., thickness, composition, electromagnetic properties, etc.) of the wire **202** and the dielectric waveguide **204**, as well as the characteristics (e.g., frequency, energy level, etc.) of the waves **206** and **208**.

The guided wave **208** propagates in a direction parallel or substantially parallel to the wire **202**, even as the wire **202** bends and flexes. Bends in the wire **202** can increase transmission losses, which are also dependent on wire diameters, frequency, and materials. If the dimensions of the dielectric waveguide **204** are chosen for efficient power transfer, most of the power in the wave **206** is transferred to the wire **202**, with little power remaining in wave **210**. It will be appreciated that the guided wave **208** can still be multimodal in nature (discussed herein), including having modes that are non-fundamental or asymmetric, while traveling along a path that is parallel or substantially parallel to the wire **202**, with or without a fundamental transmission mode. In an example embodiment, non-fundamental or asymmetric

modes can be utilized to minimize transmission losses and/or obtain increased propagation distances.

It is noted that the term parallel is generally a geometric construct which often is not exactly achievable in real systems. Accordingly, the term parallel as utilized in the subject disclosure represents an approximation rather than an exact configuration when used to describe embodiments disclosed in the subject disclosure. In an example embodiment, substantially parallel can include approximations that are within 30 degrees of true parallel in all dimensions.

In an example embodiment, the wave **206** can exhibit one or more wave propagation modes. The dielectric waveguide modes can be dependent on the shape and/or design of the dielectric waveguide **204**. The one or more dielectric waveguide modes of wave **206** can generate, influence, or impact one or more wave propagation modes of the guided wave **208** propagating along wire **202**. In an example embodiment, the wave propagation modes on the wire **202** can be similar to the dielectric waveguide modes since both waves **206** and **208** propagate about the outside of the dielectric waveguide **204** and wire **202** respectively. In some embodiments, as the wave **206** couples to the wire **202**, the modes can change form due to the coupling between the dielectric waveguide **204** and the wire **202**. For example, differences in size, material, and/or impedances of the dielectric waveguide **204** and the wire **202** may create additional modes not present in the dielectric waveguide modes and/or suppress some of the dielectric waveguide modes. The wave propagation modes can comprise the fundamental transverse electromagnetic mode (Quasi-TEM₀₀), where only small electric and/or magnetic fields extend in the direction of propagation, and the electric and magnetic fields extend radially outwards while the guided wave propagates along the wire. This guided wave mode can be donut shaped, where few of the electromagnetic fields exist within the dielectric waveguide **204** or wire **202**. Waves **206** and **208** can comprise a fundamental TEM mode where the fields extend radially outwards, and also comprise other, non-fundamental (e.g., asymmetric, higher-level, etc.) modes. While particular wave propagation modes are discussed above, other wave propagation modes are likewise possible such as transverse electric (TE) and transverse magnetic (TM) modes, based on the frequencies employed, the design of the dielectric waveguide **204**, the dimensions and composition of the wire **202**, as well as its surface characteristics, its optional insulation, the electromagnetic properties of the surrounding environment, etc. It should be noted that, depending on the frequency, the electrical and physical characteristics of the wire **202** and the particular wave propagation modes that are generated, the guided wave **208** can travel along the conductive surface of an oxidized uninsulated wire, an unoxidized uninsulated wire, an insulated wire and/or along the insulating surface of an insulated wire.

In an example embodiment, a diameter of the dielectric waveguide **204** is smaller than the diameter of the wire **202**. For the millimeter-band wavelength being used, the dielectric waveguide **204** supports a single waveguide mode that makes up wave **206**. This single waveguide mode can change as it couples to the wire **202** as surface wave **208**. If the dielectric waveguide **204** were larger, more than one waveguide mode can be supported, but these additional waveguide modes may not couple to the wire **202** as efficiently, and higher coupling losses can result. However, in some alternative embodiments, the diameter of the dielectric waveguide **204** can be equal to or larger than the diameter of the wire **202**, for example, where higher cou-

pling losses are desirable or when used in conjunction with other techniques to otherwise reduce coupling losses (e.g., impedance matching with tapering, etc.).

In an example embodiment, the wavelength of the waves **206** and **208** are comparable in size, or smaller than a circumference of the dielectric waveguide **204** and the wire **202**. In an example, if the wire **202** has a diameter of 0.5 cm, and a corresponding circumference of around 1.5 cm, the wavelength of the transmission is around 1.5 cm or less, corresponding to a frequency of 20 GHz or greater. In another embodiment, a suitable frequency of the transmission and the carrier-wave signal is in the range of 30-100 GHz, perhaps around 30-60 GHz, and around 38 GHz in one example. In an example embodiment, when the circumference of the dielectric waveguide **204** and wire **202** is comparable in size to, or greater, than a wavelength of the transmission, the waves **206** and **208** can exhibit multiple wave propagation modes including fundamental and/or non-fundamental (symmetric and/or asymmetric) modes that propagate over sufficient distances to support various communication systems described herein. The waves **206** and **208** can therefore comprise more than one type of electric and magnetic field configuration. In an example embodiment, as the guided wave **208** propagates down the wire **202**, the electrical and magnetic field configurations will remain the same from end to end of the wire **202**. In other embodiments, as the guided wave **208** encounters interference or loses energy due to transmission losses, the electric and magnetic field configurations can change as the guided wave **208** propagates down wire **202**.

In an example embodiment, the dielectric waveguide **204** can be composed of nylon, Teflon, polyethylene, a polyamide, or other plastics. In other embodiments, other dielectric materials are possible. The wire surface of wire **202** can be metallic with either a bare metallic surface, or can be insulated using plastic, dielectric, insulator or other sheathing. In an example embodiment, a dielectric or otherwise non-conducting/insulated waveguide can be paired with either a bare/metallic wire or insulated wire. In other embodiments, a metallic and/or conductive waveguide can be paired with a bare/metallic wire or insulated wire. In an example embodiment, an oxidation layer on the bare metallic surface of the wire **202** (e.g., resulting from exposure of the bare metallic surface to oxygen/air) can also provide insulating or dielectric properties similar to those provided by some insulators or sheathings.

It is noted that the graphical representations of waves **206**, **208** and **210** are presented merely to illustrate the principles that wave **206** induces or otherwise launches a guided wave **208** on a wire **202** that operates, for example, as a single wire transmission line. Wave **210** represents the portion of wave **206** that remains on the dielectric waveguide **204** after the generation of guided wave **208**. The actual electric and magnetic fields generated as a result of such wave propagation may vary depending on the frequencies employed, the particular wave propagation mode or modes, the design of the dielectric waveguide **204**, the dimensions and composition of the wire **202**, as well as its surface characteristics, its optional insulation, the electromagnetic properties of the surrounding environment, etc.

It is noted that dielectric waveguide **204** can include a termination circuit or damper **214** at the end of the dielectric waveguide **204** that can absorb leftover radiation or energy from wave **210**. The termination circuit or damper **214** can prevent and/or minimize the leftover radiation from wave **210** reflecting back toward transmitter circuit **212**. In an example embodiment, the termination circuit or damper **214**

can include termination resistors, and/or other components that perform impedance matching to attenuate reflection. In some embodiments, if the coupling efficiencies are high enough, and/or wave **210** is sufficiently small, it may not be necessary to use a termination circuit or damper **214**. For the sake of simplicity, these transmitter and termination circuits or dampers **212** and **214** are not depicted in the other figures, but in those embodiments, transmitter and termination circuits or dampers may possibly be used.

Further, while a single dielectric waveguide **204** is presented that generates a single guided wave **208**, multiple dielectric waveguides **204** placed at different points along the wire **202** and/or at different azimuthal orientations about the wire can be employed to generate and receive multiple guided waves **208** at the same or different frequencies, at the same or different phases, and/or at the same or different wave propagation modes. The guided wave or waves **208** can be modulated to convey data via a modulation technique such as phase shift keying, frequency shift keying, quadrature amplitude modulation, amplitude modulation, multi-carrier modulation and via multiple access techniques such as frequency division multiplexing, time division multiplexing, code division multiplexing, multiplexing via differing wave propagation modes and via other modulation and access strategies.

Turning now to FIG. 3, illustrated is a block diagram of an example, non-limiting embodiment of a dielectric waveguide coupling system **300** in accordance with various aspects described herein. System **300** implements a coupler that comprises a dielectric waveguide **304** and a wire **302** that has a wave **306** propagating as a guided wave about a wire surface of the wire **302**. In an example embodiment, the wave **306** can be characterized as a surface wave or other electromagnetic wave.

In an example embodiment, the dielectric waveguide **304** is curved or otherwise has a curvature, and can be placed near a wire **302** such that a portion of the curved dielectric waveguide **304** is parallel or substantially parallel to the wire **302**. The portion of the dielectric waveguide **304** that is parallel to the wire can be an apex of the curve, or any point where a tangent of the curve is parallel to the wire **302**. When the dielectric waveguide **304** is near the wire, the guided wave **306** travelling along the wire **302** can couple to the dielectric waveguide **304** and propagate as guided wave **308** about the dielectric waveguide **304**. A portion of the guided wave **306** that does not couple to the dielectric waveguide **304** propagates as guided wave **310** (e.g., surface wave or other electromagnetic wave) along the wire **302**.

The guided waves **306** and **308** stay parallel to the wire **302** and dielectric waveguide **304**, respectively, even as the wire **302** and dielectric waveguide **304** bend and flex. Bends can increase transmission losses, which are also dependent on wire diameters, frequency, and materials. If the dimensions of the dielectric waveguide **304** are chosen for efficient power transfer, most of the energy in the guided wave **306** is coupled to the dielectric waveguide **304** and little remains in guided wave **310**.

In an example embodiment, a receiver circuit can be placed on the end of waveguide **304** in order to receive wave **308**. A termination circuit can be placed on the opposite end of the waveguide **304** in order to receive guided waves traveling in the opposite direction to guided wave **306** that couple to the waveguide **304**. The termination circuit would thus prevent and/or minimize reflections being received by the receiver circuit. If the reflections are small, the termination circuit may not be necessary.

It is noted that the dielectric waveguide **304** can be configured such that selected polarizations of the surface wave **306** are coupled to the dielectric waveguide **304** as guided wave **308**. For instance, if guided wave **306** is made up of guided waves or wave propagation modes with respective polarizations, dielectric waveguide **304** can be configured to receive one or more guided waves of selected polarization(s). Guided wave **308** that couples to the dielectric waveguide **304** is thus the set of guided waves that correspond to one or more of the selected polarization(s), and further guided wave **310** can comprise the guided waves that do not match the selected polarization(s).

The dielectric waveguide **304** can be configured to receive guided waves of a particular polarization based on an angle/rotation around the wire **302** that the dielectric waveguide **304** is placed (the azimuthal orientation of the coupler) and the azimuthal pattern of the field structure of the guided waves. For instance, if the coupler is oriented to feed the guided waves along the horizontal access and if the guided wave **306** is polarized horizontally (i.e., the filed structure of the guided waves are concentrated on the horizontal axis), most of the guided wave **306** transfers to the dielectric waveguide as wave **308**. In another instance, if the dielectric waveguide **304** is rotated 90 degrees around the wire **302**, most of the energy from guided wave **306** would remain coupled to the wire as guided wave **310**, and only a small portion would couple to the wire **302** as wave **308**.

It is noted that waves **306**, **308**, and **310** are shown using three circular symbols in FIG. 3 and in other figures in the specification. These symbols are used to represent a general guided wave, but do not imply that the waves **306**, **308**, and **310** are necessarily circularly polarized or otherwise circularly oriented. In fact, waves **306**, **308**, and **310** can comprise a fundamental TEM mode where the fields extend radially outwards, and also comprise other, non-fundamental (e.g. higher-level, etc.) modes. These modes can be asymmetric (e.g., radial, bilateral, trilateral, quadrilateral, etc.) in nature as well.

It is noted also that guided wave communications over wires can be full duplex, allowing simultaneous communications in both directions. Waves traveling one direction can pass through waves traveling in an opposite direction. Electromagnetic fields may cancel out at certain points and for short times due to the superposition principle as applied to waves. The waves traveling in opposite directions propagate as if the other waves weren't there, but the composite effect to an observer may be a stationary standing wave pattern. As the guided waves pass through each other and are no longer in a state of superposition, the interference subsides. As a guided wave (e.g., surface wave or other electromagnetic wave) couples to a waveguide and moves away from the wire, any interference due to other guided waves (e.g., surface waves or other electromagnetic waves) decreases. In an example embodiment, as guided wave **306** (e.g., surface wave or other electromagnetic wave) approaches dielectric waveguide **304**, another guided wave (e.g., surface wave or other electromagnetic wave) (not shown) traveling from left to right on the wire **302** passes by causing local interference. As guided wave **306** couples to dielectric waveguide **304** as wave **308**, and moves away from the wire **302**, any interference due to the passing guided wave subsides.

It is noted that the graphical representations of electromagnetic waves **306**, **308** and **310** are presented merely to illustrate the principles that guided wave **306** induces or otherwise launches a wave **308** on a dielectric waveguide **304**. Guided wave **310** represents the portion of guided wave

306 that remains on the wire **302** after the generation of wave **308**. The actual electric and magnetic fields generated as a result of such guided wave propagation may vary depending on one or more of the shape and/or design of the dielectric waveguide, the relative position of the dielectric waveguide to the wire, the frequencies employed, the design of the dielectric waveguide **304**, the dimensions and composition of the wire **302**, as well as its surface characteristics, its optional insulation, the electromagnetic properties of the surrounding environment, etc.

Turning now to FIG. 4, illustrated is a block diagram of an example, non-limiting embodiment of a dielectric waveguide coupling system **400** in accordance with various aspects described herein. System **400** implements a coupler that comprises a dielectric waveguide **404** that has a wave **406** propagating as a guided wave about a waveguide surface of the dielectric waveguide **404**. In an example embodiment, the dielectric waveguide **404** is curved, and an end of the dielectric waveguide **404** can be tied, fastened, or otherwise mechanically coupled to a wire **402**. When the end of the dielectric waveguide **404** is fastened to the wire **402**, the end of the dielectric waveguide **404** is parallel or substantially parallel to the wire **402**. Alternatively, another portion of the dielectric waveguide beyond an end can be fastened or coupled to wire **402** such that the fastened or coupled portion is parallel or substantially parallel to the wire **402**. The coupling device **410** can be a nylon cable tie or other type of non-conducting/dielectric material that is either separate from the dielectric waveguide **404** or constructed as an integrated component of the dielectric waveguide **404**. In other embodiments, the dielectric waveguide **404** can be mechanically uncoupled from the wire **402** leaving an air gap between the coupler and the wire **402**. The dielectric waveguide **404** can be adjacent to the wire **402** without surrounding the wire **402**.

When the dielectric waveguide **404** is placed with the end parallel to the wire **402**, the guided wave **406** travelling along the dielectric waveguide **404** couples to the wire **402**, and propagates as guided wave **408** about the wire surface of the wire **402**. In an example embodiment, the guided wave **408** can be characterized as a surface wave or other electromagnetic wave.

It is noted that the graphical representations of waves **406** and **408** are presented merely to illustrate the principles that wave **406** induces or otherwise launches a guided wave **408** on a wire **402** that operates, for example, as a single wire transmission line. The actual electric and magnetic fields generated as a result of such wave propagation may vary depending on one or more of the shape and/or design of the dielectric waveguide, the relative position of the dielectric waveguide to the wire, the frequencies employed, the design of the dielectric waveguide **404**, the dimensions and composition of the wire **402**, as well as its surface characteristics, its optional insulation, the electromagnetic properties of the surrounding environment, etc.

In an example embodiment, an end of dielectric waveguide **404** can taper towards the wire **402** in order to increase coupling efficiencies. Indeed, the tapering of the end of the dielectric waveguide **404** can provide impedance matching to the wire **402**, according to an example embodiment of the subject disclosure. For example, an end of the dielectric waveguide **404** can be gradually tapered in order to obtain a desired level of coupling between waves **406** and **408** as illustrated in FIG. 4.

In an example embodiment, the coupling device **410** can be placed such that there is a short length of the dielectric waveguide **404** between the coupling device **410** and an end

of the dielectric waveguide **404**. Maximum coupling efficiencies are realized when the length of the end of the dielectric waveguide **404** that is beyond the coupling device **410** is at least several wavelengths long for whatever frequency is being transmitted, however shorter lengths are also possible.

Turning now to FIG. **5A**, illustrated is a block diagram of an example, non-limiting embodiment of a dielectric waveguide coupler and transceiver system **500** (referred to herein collectively as system **500**) in accordance with various aspects described herein. System **500** comprises a transmitter/receiver device **506** that launches and receives waves (e.g., guided wave **504** onto dielectric waveguide **502**). The guided waves **504** can be used to transport signals received from and sent to a base station **520**, mobile devices **522**, or a building **524** by way of a communications interface **501**. The communications interface **501** can be an integral part of system **500**. Alternatively, the communications interface **501** can be tethered to system **500**. The communications interface **501** can comprise a wireless interface for interfacing to the base station **520**, the mobile devices **522**, or building **524** utilizing any of various wireless signaling protocols (e.g., LTE, WiFi, WiMAX, IEEE 802.xx, etc.). The communications interface **501** can also comprise a wired interface such as a fiber optic line, coaxial cable, twisted pair, or other suitable wired mediums for transmitting signals to the base station **520** or building **524**. For embodiments where system **500** functions as a repeater, the communications interface **501** may not be necessary.

The output signals (e.g., Tx) of the communications interface **501** can be combined with a millimeter-wave carrier wave generated by a local oscillator **512** at frequency mixer **510**. Frequency mixer **512** can use heterodyning techniques or other frequency shifting techniques to frequency shift the output signals from communications interface **501**. For example, signals sent to and from the communications interface **501** can be modulated signals such as orthogonal frequency division multiplexed (OFDM) signals formatted in accordance with a Long-Term Evolution (LTE) wireless protocol or other wireless 3G, 4G, 5G or higher voice and data protocol, a Zigbee, WIMAX, UltraWideband or IEEE 802.11 wireless protocol or other wireless protocol. In an example embodiment, this frequency conversion can be done in the analog domain, and as a result, the frequency shifting can be done without regard to the type of communications protocol that the base station **520**, mobile devices **522**, or in-building devices **524** use. As new communications technologies are developed, the communications interface **501** can be upgraded or replaced and the frequency shifting and transmission apparatus can remain, simplifying upgrades. The carrier wave can then be sent to a power amplifier (“PA”) **514** and can be transmitted via the transmitter/receiver device **506** via the diplexer **516**.

Signals received from the transmitter/receiver device **506** that are directed towards the communications interface **501** can be separated from other signals via diplexer **516**. The transmission can then be sent to low noise amplifier (“LNA”) **518** for amplification. A frequency mixer **521**, with help from local oscillator **512** can downshift the transmission (which is in the millimeter-wave band or around 38 GHz in some embodiments) to the native frequency. The communications interface **501** can then receive the transmission at an input port (Rx).

In an embodiment, transmitter/receiver device **506** can include a cylindrical or non-cylindrical metal (which, for example, can be hollow in an embodiment, but not necessarily drawn to scale) or other conducting or non-conducting

waveguide and an end of the dielectric waveguide **502** can be placed in or in proximity to the waveguide or the transmitter/receiver device **506** such that when the transmitter/receiver device **506** generates a transmission, the guided wave couples to dielectric waveguide **502** and propagates as a guided wave **504** about the waveguide surface of the dielectric waveguide **502**. In some embodiments, the guided wave **504** can propagate in part on the outer surface of the dielectric waveguide **502** and in part inside the dielectric waveguide **502**. In other embodiments, the guided wave **504** can propagate substantially or completely on the outer surface of the dielectric waveguide **502**. In yet other embodiments, the guided wave **504** can propagate substantially or completely inside the dielectric waveguide **502**. In this latter embodiment, the guided wave **504** can radiate at an end of the dielectric waveguide **502** (such as the tapered end shown in FIG. **4**) for coupling to a transmission medium such as a wire **402** of FIG. **4**. Similarly, if guided wave **504** is incoming (coupled to the dielectric waveguide **502** from a wire), guided wave **504** then enters the transmitter/receiver device **506** and couples to the cylindrical waveguide or conducting waveguide. While transmitter/receiver device **506** is shown to include a separate waveguide—an antenna, cavity resonator, klystron, magnetron, travelling wave tube, or other radiating element can be employed to induce a guided wave on the waveguide **502**, without the separate waveguide.

In an embodiment, dielectric waveguide **502** can be wholly constructed of a dielectric material (or another suitable insulating material), without any metallic or otherwise conducting materials therein. Dielectric waveguide **502** can be composed of nylon, Teflon, polyethylene, a polyamide, other plastics, or other materials that are non-conducting and suitable for facilitating transmission of electromagnetic waves at least in part on an outer surface of such materials. In another embodiment, dielectric waveguide **502** can include a core that is conducting/metallic, and have an exterior dielectric surface. Similarly, a transmission medium that couples to the dielectric waveguide **502** for propagating electromagnetic waves induced by the dielectric waveguide **502** or for supplying electromagnetic waves to the dielectric waveguide **502** can be wholly constructed of a dielectric material (or another suitable insulating material), without any metallic or otherwise conducting materials therein.

It is noted that although FIG. **5A** shows that the opening of transmitter/receiver device **506** is much wider than the dielectric waveguide **502**, this is not to scale, and that in other embodiments the width of the dielectric waveguide **502** is comparable or slightly smaller than the opening of the hollow waveguide. It is also not shown, but in an embodiment, an end of the waveguide **502** that is inserted into the transmitter/receiver device **506** tapers down in order to reduce reflection and increase coupling efficiencies.

The transmitter/receiver device **506** can be communicably coupled to a communications interface **501**, and alternatively, transmitter/receiver device **506** can also be communicably coupled to the one or more distributed antennas **112** and **114** shown in FIG. **1**. In other embodiments, transmitter/receiver device **506** can comprise part of a repeater system for a backhaul network.

Before coupling to the dielectric waveguide **502**, the one or more waveguide modes of the guided wave generated by the transmitter/receiver device **506** can couple to the dielectric waveguide **502** to induce one or more wave propagation modes of the guided wave **504**. The wave propagation modes of the guided wave **504** can be different than the hollow metal waveguide modes due to the different characteristics of the hollow metal waveguide and the dielectric

waveguide. For instance, wave propagation modes of the guide wave **504** can comprise the fundamental transverse electromagnetic mode (Quasi-TEM₀₀), where only small electrical and/or magnetic fields extend in the direction of propagation, and the electric and magnetic fields extend radially outwards from the dielectric waveguide **502** while the guided waves propagate along the dielectric waveguide **502**. The fundamental transverse electromagnetic mode wave propagation mode may not exist inside a waveguide that is hollow. Therefore, the hollow metal waveguide modes that are used by transmitter/receiver device **506** are waveguide modes that can couple effectively and efficiently to wave propagation modes of dielectric waveguide **502**.

It will be appreciated that other constructs or combinations of the transmitter/receiver device **506** and dielectric waveguide **502** are possible. For example, a dielectric waveguide **502'** can be placed tangentially or in parallel (with or without a gap) with respect to an outer surface of the hollow metal waveguide of the transmitter/receiver device **506'** (corresponding circuitry not shown) as depicted by reference **500'** of FIG. 5B. In another embodiment, not shown by reference **500'**, the dielectric waveguide **502'** can be placed inside the hollow metal waveguide of the transmitter/receiver device **506'** without an axis of the dielectric waveguide **502'** being coaxially aligned with an axis of the hollow metal waveguide of the transmitter/receiver device **506'**. In either of these embodiments, the guided wave generated by the transmitter/receiver device **506'** can couple to a surface of the dielectric waveguide **502'** to induce one or more wave propagation modes of the guided wave **504'** on the dielectric waveguide **502'** including a fundamental mode (e.g., a symmetric mode) and/or a non-fundamental mode (e.g., an asymmetric mode).

In one embodiment, the guided wave **504'** can propagate in part on the outer surface of the dielectric waveguide **502'** and in part inside the dielectric waveguide **502'**. In another embodiment, the guided wave **504'** can propagate substantially or completely on the outer surface of the dielectric waveguide **502'**. In yet other embodiments, the guided wave **504'** can propagate substantially or completely inside the dielectric waveguide **502'**. In this latter embodiment, the guide wave **504'** can radiate at an end of the dielectric waveguide **502'** (such as the tapered end shown in FIG. 4) for coupling to a transmission medium such as a wire **402** of FIG. 4.

It will be further appreciated that other constructs the transmitter/receiver device **506** are possible. For example, a hollow metal waveguide of a transmitter/receiver device **506''** (corresponding circuitry not shown), depicted in FIG. 5B as reference **500''**, can be placed tangentially or in parallel (with or without a gap) with respect to an outer surface of a transmission medium such as the wire **402** of FIG. 4 without the use of the dielectric waveguide **502**. In this embodiment, the guided wave generated by the transmitter/receiver device **506''** can couple to a surface of the wire **402** to induce one or more wave propagation modes of a guided wave **408** on the wire **402** including a fundamental mode (e.g., a symmetric mode) and/or a non-fundamental mode (e.g., asymmetric mode). In another embodiment, the wire **402** can be positioned inside a hollow metal waveguide of a transmitter/receiver device **506'''** (corresponding circuitry not shown) so that an axis of the wire **402** is coaxially (or not coaxially) aligned with an axis of the hollow metal waveguide without the use of the dielectric waveguide **502**—see FIGS. 5B reference **500'''**, also see FIGS. 10A-10C described below. In this embodiment, the guided wave generated by the transmitter/receiver device **506'''** can

couple to a surface of the wire **402** to induce one or more wave propagation modes of a guided wave **408** on the wire including a fundamental mode (e.g., a symmetric mode) and/or a non-fundamental mode (e.g., asymmetric mode).

In the embodiments of **500''** and **500'''**, the guided wave **408** can propagate in part on the outer surface of the wire **402** and in part inside the wire **402**. In another embodiment, the guided wave **408** can propagate substantially or completely on the outer surface of the wire **402**. The wire **402** can be a bare conductor or a conductor with an insulated outer surface.

Turning now to FIG. 6, illustrated is a block diagram illustrating an example, non-limiting embodiment of a dual dielectric waveguide coupling system **600** in accordance with various aspects described herein. In an example embodiment, a coupling module is shown with two or more dielectric waveguides (e.g., **604** and **606**) positioned around a wire **602** in order to receive guided wave **608**. In an example embodiment, the guided wave **608** can be characterized as a surface wave or other electromagnetic wave. In an example embodiment, one dielectric waveguide is enough to receive the guided wave **608**. In that case, guided wave **608** couples to dielectric waveguide **604** and propagates as guided wave **610**. If the field structure of the guided wave **608** oscillates or undulates around the wire **602** due to various outside factors, then dielectric waveguide **606** can be placed such that guided wave **608** couples to dielectric waveguide **606**. In some embodiments, four or more dielectric waveguides can be placed around a portion of the wire **602**, e.g., at 90 degrees or another spacing with respect to each other, in order to receive guided waves that may oscillate or rotate around the wire **602**, that have been induced at different azimuthal orientations or that have non-fundamental or higher order modes that, for example, have lobes and/or nulls or other asymmetries that are orientation dependent. However, it will be appreciated that there may be less than or more than four dielectric waveguides placed around a portion of the wire **602** without departing from example embodiments. It will also be appreciated that while some example embodiments have presented a plurality of dielectric waveguides around at least a portion of a wire **602**, this plurality of dielectric waveguides can also be considered as part of a single dielectric waveguide system having multiple dielectric waveguide subcomponents. For example, two or more dielectric waveguides can be manufactured as single system that can be installed around a wire in a single installation such that the dielectric waveguides are either pre-positioned or adjustable relative to each other (either manually or automatically) in accordance with the single system. Receivers coupled to dielectric waveguides **606** and **604** can use diversity combining to combine signals received from both dielectric waveguides **606** and **604** in order to maximize the signal quality. In other embodiments, if one or the other of a dielectric waveguide **604** and **606** receives a transmission that is above a predetermined threshold, receivers can use selection diversity when deciding which signal to use.

It is noted that the graphical representations of waves **608** and **610** are presented merely to illustrate the principles that guided wave **608** induces or otherwise launches a wave **610** on a dielectric waveguide **604**. The actual electric and magnetic fields generated as a result of such wave propagation may vary depending on the frequencies employed, the design of the dielectric waveguide **604**, the dimensions and composition of the wire **602**, as well as its surface characteristics, its optional insulation, the electromagnetic properties of the surrounding environment, etc.

Turning now to FIG. 7, illustrated is a block diagram of an example, non-limiting embodiment of a bidirectional dielectric waveguide coupling system 700 in accordance with various aspects described herein. Such a system 700 implements a transmission device with a coupling module that includes two dielectric waveguides 704 and 714 can be placed near a wire 702 such that guided waves (e.g., surface waves or other electromagnetic waves) propagating along the wire 702 are coupled to dielectric waveguide 704 as wave 706, and then are boosted or repeated by repeater device 710 and launched as a guided wave 716 onto dielectric waveguide 714. The guided wave 716 can then couple to wire 702 and continue to propagate along the wire 702. In an example embodiment, the repeater device 710 can receive at least a portion of the power utilized for boosting or repeating through magnetic coupling with the wire 702, which can be a power line.

In some embodiments, repeater device 710 can repeat the transmission associated with wave 706, and in other embodiments, repeater device 710 can be associated with a distributed antenna system and/or base station device located near the repeater device 710. Receiver waveguide 708 can receive the wave 706 from the dielectric waveguide 704 and transmitter waveguide 712 can launch guided wave 716 onto dielectric waveguide 714. Between receiver waveguide 708 and transmitter waveguide 712, the signal can be amplified to correct for signal loss and other inefficiencies associated with guided wave communications or the signal can be received and processed to extract the data contained therein and regenerated for transmission. In an example embodiment, a signal can be extracted from the transmission and processed and otherwise emitted to mobile devices nearby via distributed antennas communicably coupled to the repeater device 710. Similarly, signals and/or communications received by the distributed antennas can be inserted into the transmission that is generated and launched onto dielectric waveguide 714 by transmitter waveguide 712. Accordingly, the repeater system 700 depicted in FIG. 7 can be comparable in function to the dielectric waveguide coupling device 108 and 110 in FIG. 1.

It is noted that although FIG. 7 shows guided wave transmissions 706 and 716 entering from the left and exiting to the right respectively, this is merely a simplification and is not intended to be limiting. In other embodiments, receiver waveguide 708 and transmitter waveguide 712 can also function as transmitters and receivers respectively, allowing the repeater device 710 to be bi-directional.

In an example embodiment, repeater device 710 can be placed at locations where there are discontinuities or obstacles on the wire 702. These obstacles can include transformers, connections, utility poles, and other such power line devices. The repeater device 710 can help the guided (e.g., surface) waves jump over these obstacles on the line and boost the transmission power at the same time. In other embodiments, a dielectric waveguide can be used to jump over the obstacle without the use of a repeater device. In that embodiment, both ends of the dielectric waveguide can be tied or fastened to the wire, thus providing a path for the guided wave to travel without being blocked by the obstacle.

Turning now to FIG. 8, illustrated is a block diagram of an example, non-limiting embodiment of a bidirectional dielectric waveguide coupler 800 in accordance with various aspects described herein. The bidirectional dielectric waveguide coupler 800 implements a transmission device with a coupling module that can employ diversity paths in the case of when two or more wires are strung between utility poles.

Since guided wave transmissions have different transmission efficiencies and coupling efficiencies for insulated wires and un-insulated wires based on weather, precipitation and atmospheric conditions, it can be advantageous to selectively transmit on either an insulated wire or un-insulated wire at certain times.

In the embodiment shown in FIG. 8, the repeater device uses a receiver waveguide 808 to receive a guided wave traveling along un-insulated wire 802 and repeats the transmission using transmitter waveguide 810 as a guided wave along insulated wire 804. In other embodiments, repeater device can switch from the insulated wire 804 to the un-insulated wire 802, or can repeat the transmissions along the same paths. Repeater device 806 can include sensors, or be in communication with sensors that indicate conditions that can affect the transmission. Based on the feedback received from the sensors, the repeater device 806 can make the determination about whether to keep the transmission along the same wire, or transfer the transmission to the other wire.

Turning now to FIG. 9, illustrated is a block diagram illustrating an example, non-limiting embodiment of a bidirectional repeater system 900. Bidirectional repeater system 900 implements a transmission device with a coupling module that includes waveguide coupling devices 902 and 904 that receive and transmit transmissions from other coupling devices located in a distributed antenna system or backhaul system.

In various embodiments, waveguide coupling device 902 can receive a transmission from another waveguide coupling device, wherein the transmission has a plurality of subcarriers. Diplexer 906 can separate the transmission from other transmissions, for example by filtration, and direct the transmission to low-noise amplifier (“LNA”) 908. A frequency mixer 928, with help from a local oscillator 912, can downshift the transmission (which is in the millimeter-wave band or around 38 GHz in some embodiments) to a lower frequency, whether it is a cellular band (~1.9 GHz) for a distributed antenna system, a native frequency, or other frequency for a backhaul system. An extractor 932 can extract the signal on the subcarrier that corresponds to the antenna or other output component 922 and direct the signal to the output component 922. For the signals that are not being extracted at this antenna location, extractor 932 can redirect them to another frequency mixer 936, where the signals are used to modulate a carrier wave generated by local oscillator 914. The carrier wave, with its subcarriers, is directed to a power amplifier (“PA”) 916 and is retransmitted by waveguide coupling device 904 to another repeater system, via diplexer 920.

At the output device 922, a PA 924 can boost the signal for transmission to the mobile device. An LNA 926 can be used to amplify weak signals that are received from the mobile device and then send the signal to a multiplexer 934 which merges the signal with signals that have been received from waveguide coupling device 904. The output device 922 can be coupled to an antenna in a distributed antenna system or other antenna via, for example, a diplexer, duplexer or a transmit receive switch not specifically shown. The signals received from coupling device 904 have been split by diplexer 920, and then passed through LNA 918, and downshifted in frequency by frequency mixer 938. When the signals are combined by multiplexer 934, they are upshifted in frequency by frequency mixer 930, and then boosted by PA 910, and transmitted back to the launcher or on to another repeater by waveguide coupling device 902. In an example embodiment, the bidirectional repeater system 900 can be

just a repeater without the antenna/output device 922. It will be appreciated that in some embodiments, a bidirectional repeater system 900 could also be implemented using two distinct and separate uni-directional repeaters. In an alternative embodiment, a bidirectional repeater system 900 could also be a booster or otherwise perform retransmissions without downshifting and upshifting. Indeed in example embodiment, the retransmissions can be based upon receiving a signal or guided wave and performing some signal or guided wave processing or reshaping, filtering, and/or amplification, prior to retransmission of the signal or guided wave.

FIG. 10 illustrates a process in connection with the aforementioned systems. The process in FIG. 10 can be implemented for example by systems 100, 200, 300, 400, 500, 600, 700, 800, and 900 illustrated in FIGS. 1-9 respectively. While for purposes of simplicity of explanation, the methods are shown and described as a series of blocks, it is to be understood and appreciated that the claimed subject matter is not limited by the order of the blocks, as some blocks may occur in different orders and/or concurrently with other blocks from what is depicted and described herein. Moreover, not all illustrated blocks may be required to implement the methods described hereinafter.

FIG. 10 illustrates a flow diagram of an example, non-limiting embodiment of a method for transmitting a transmission with a dielectric waveguide coupler as described herein. Method 1000 can begin at 1002 where a first electromagnetic wave is emitted by a transmission device that propagates at least in part on a waveguide surface of a waveguide, wherein the waveguide surface of the waveguide does not surround in whole or in substantial part a wire surface of a wire. The transmission that is generated by a transmitter can be based on a signal received from a base station device, access point, network or a mobile device.

At 1004, based upon configuring the waveguide in proximity of the wire, the guided wave then couples at least a part of the first electromagnetic wave to a wire surface, forming a second electromagnetic wave (e.g., a surface wave) that propagates at least partially around the wire surface, wherein the wire is in proximity to the waveguide. This can be done in response to positioning a portion of the dielectric waveguide (e.g., a tangent of a curve of the dielectric waveguide) near and parallel to the wire, wherein a wavelength of the electromagnetic wave is smaller than a circumference of the wire and the dielectric waveguide. The guided wave, or surface wave, stays parallel to the wire even as the wire bends and flexes. Bends can increase transmission losses, which are also dependent on wire diameters, frequency, and materials. The coupling interface between the wire and the waveguide can also be configured to achieve the desired level of coupling, as described herein, which can include tapering an end of the waveguide to improve impedance matching between the waveguide and the wire.

The transmission that is emitted by the transmitter can exhibit one or more waveguide modes. The waveguide modes can be dependent on the shape and/or design of the waveguide. The propagation modes on the wire can be different than the waveguide modes due to the different characteristics of the waveguide and the wire. When the circumference of the wire is comparable in size to, or greater, than a wavelength of the transmission, the guided wave exhibits multiple wave propagation modes. The guided wave can therefore comprise more than one type of electric and magnetic field configuration. As the guided wave (e.g., surface wave) propagates down the wire, the electrical and magnetic field configurations may remain

substantially the same from end to end of the wire or vary as the transmission traverses the wave by rotation, dispersion, attenuation or other effects.

Referring now to FIG. 11, there is illustrated a block diagram of a computing environment in accordance with various aspects described herein. In order to provide additional context for various embodiments of the embodiments described herein, FIG. 11 and the following discussion are intended to provide a brief, general description of a suitable computing environment 1100 in which the various embodiments of the embodiment described herein can be implemented. While the embodiments have been described above in the general context of computer-executable instructions that can be run on one or more computers, those skilled in the art will recognize that the embodiments can be also implemented in combination with other program modules and/or as a combination of hardware and software.

Generally, program modules comprise routines, programs, components, data structures, etc., that perform particular tasks or implement particular abstract data types. Moreover, those skilled in the art will appreciate that the inventive methods can be practiced with other computer system configurations, comprising single-processor or multiprocessor computer systems, minicomputers, mainframe computers, as well as personal computers, hand-held computing devices, microprocessor-based or programmable consumer electronics, and the like, each of which can be operatively coupled to one or more associated devices.

The terms "first," "second," "third," and so forth, as used in the claims, unless otherwise clear by context, is for clarity only and doesn't otherwise indicate or imply any order in time. For instance, "a first determination," "a second determination," and "a third determination," does not indicate or imply that the first determination is to be made before the second determination, or vice versa, etc.

The illustrated embodiments of the embodiments herein can be also practiced in distributed computing environments where certain tasks are performed by remote processing devices that are linked through a communications network. In a distributed computing environment, program modules can be located in both local and remote memory storage devices.

Computing devices typically comprise a variety of media, which can comprise computer-readable storage media and/or communications media, which two terms are used herein differently from one another as follows. Computer-readable storage media can be any available storage media that can be accessed by the computer and comprises both volatile and nonvolatile media, removable and non-removable media. By way of example, and not limitation, computer-readable storage media can be implemented in connection with any method or technology for storage of information such as computer-readable instructions, program modules, structured data or unstructured data.

Computer-readable storage media can comprise, but are not limited to, random access memory (RAM), read only memory (ROM), electrically erasable programmable read only memory (EEPROM), flash memory or other memory technology, compact disk read only memory (CD-ROM), digital versatile disk (DVD) or other optical disk storage, magnetic cassettes, magnetic tape, magnetic disk storage or other magnetic storage devices or other tangible and/or non-transitory media which can be used to store desired information. In this regard, the terms "tangible" or "non-transitory" herein as applied to storage, memory or computer-readable media, are to be understood to exclude only propagating transitory signals per se as modifiers and do not

relinquish rights to all standard storage, memory or computer-readable media that are not only propagating transitory signals per se.

Computer-readable storage media can be accessed by one or more local or remote computing devices, e.g., via access requests, queries or other data retrieval protocols, for a variety of operations with respect to the information stored by the medium.

Communications media typically embody computer-readable instructions, data structures, program modules or other structured or unstructured data in a data signal such as a modulated data signal, e.g., a carrier wave or other transport mechanism, and comprises any information delivery or transport media. The term "modulated data signal" or signals refers to a signal that has one or more of its characteristics set or changed in such a manner as to encode information in one or more signals. By way of example, and not limitation, communication media comprise wired media, such as a wired network or direct-wired connection, and wireless media such as acoustic, RF, infrared and other wireless media.

With reference again to FIG. 11, the example environment 1100 for transmitting and receiving signals via base station (e.g., base station devices 104 and 508) and repeater devices (e.g., repeater devices 710, 806, and 900) comprises a computer 1102, the computer 1102 comprising a processing unit 1104, a system memory 1106 and a system bus 1108. The system bus 1108 couples system components including, but not limited to, the system memory 1106 to the processing unit 1104. The processing unit 1104 can be any of various commercially available processors. Dual microprocessors and other multi-processor architectures can also be employed as the processing unit 1104.

The system bus 1108 can be any of several types of bus structure that can further interconnect to a memory bus (with or without a memory controller), a peripheral bus, and a local bus using any of a variety of commercially available bus architectures. The system memory 1106 comprises ROM 1110 and RAM 1112. A basic input/output system (BIOS) can be stored in a non-volatile memory such as ROM, erasable programmable read only memory (EPROM), EEPROM, which BIOS contains the basic routines that help to transfer information between elements within the computer 1102, such as during startup. The RAM 1112 can also comprise a high-speed RAM such as static RAM for caching data.

The computer 1102 further comprises an internal hard disk drive (HDD) 1114 (e.g., EIDE, SATA), which internal hard disk drive 1114 can also be configured for external use in a suitable chassis (not shown), a magnetic floppy disk drive (FDD) 1116, (e.g., to read from or write to a removable diskette 1118) and an optical disk drive 1120, (e.g., reading a CD-ROM disk 1122 or, to read from or write to other high capacity optical media such as the DVD). The hard disk drive 1114, magnetic disk drive 1116 and optical disk drive 1120 can be connected to the system bus 1108 by a hard disk drive interface 1124, a magnetic disk drive interface 1126 and an optical drive interface 1128, respectively. The interface 1124 for external drive implementations comprises at least one or both of Universal Serial Bus (USB) and Institute of Electrical and Electronics Engineers (IEEE) 1394 interface technologies. Other external drive connection technologies are within contemplation of the embodiments described herein.

The drives and their associated computer-readable storage media provide nonvolatile storage of data, data structures, computer-executable instructions, and so forth. For the

computer 1102, the drives and storage media accommodate the storage of any data in a suitable digital format. Although the description of computer-readable storage media above refers to a hard disk drive (HDD), a removable magnetic diskette, and a removable optical media such as a CD or DVD, it should be appreciated by those skilled in the art that other types of storage media which are readable by a computer, such as zip drives, magnetic cassettes, flash memory cards, cartridges, and the like, can also be used in the example operating environment, and further, that any such storage media can contain computer-executable instructions for performing the methods described herein.

A number of program modules can be stored in the drives and RAM 1112, comprising an operating system 1130, one or more application programs 1132, other program modules 1134 and program data 1136. All or portions of the operating system, applications, modules, and/or data can also be cached in the RAM 1112. The systems and methods described herein can be implemented utilizing various commercially available operating systems or combinations of operating systems. Examples of application programs 1132 that can be implemented and otherwise executed by processing unit 1104 include the diversity selection determining performed by repeater device 806. Base station device 508 shown in FIG. 5, also has stored on memory many applications and programs that can be executed by processing unit 1104 in this exemplary computing environment 1100.

A user can enter commands and information into the computer 1102 through one or more wired/wireless input devices, e.g., a keyboard 1138 and a pointing device, such as a mouse 1140. Other input devices (not shown) can comprise a microphone, an infrared (IR) remote control, a joystick, a game pad, a stylus pen, touch screen or the like. These and other input devices are often connected to the processing unit 1104 through an input device interface 1142 that can be coupled to the system bus 1108, but can be connected by other interfaces, such as a parallel port, an IEEE 1394 serial port, a game port, a universal serial bus (USB) port, an IR interface, etc.

A monitor 1144 or other type of display device can be also connected to the system bus 1108 via an interface, such as a video adapter 1146. It will also be appreciated that in alternative embodiments, a monitor 1144 can also be any display device (e.g., another computer having a display, a smart phone, a tablet computer, etc.) for receiving display information associated with computer 1102 via any communication means, including via the Internet and cloud-based networks. In addition to the monitor 1144, a computer typically comprises other peripheral output devices (not shown), such as speakers, printers, etc.

The computer 1102 can operate in a networked environment using logical connections via wired and/or wireless communications to one or more remote computers, such as a remote computer(s) 1148. The remote computer(s) 1148 can be a workstation, a server computer, a router, a personal computer, portable computer, microprocessor-based entertainment appliance, a peer device or other common network node, and typically comprises many or all of the elements described relative to the computer 1102, although, for purposes of brevity, only a memory/storage device 1150 is illustrated. The logical connections depicted comprise wired/wireless connectivity to a local area network (LAN) 1152 and/or larger networks, e.g., a wide area network (WAN) 1154. Such LAN and WAN networking environments are commonplace in offices and companies, and

facilitate enterprise-wide computer networks, such as intranets, all of which can connect to a global communications network, e.g., the Internet.

When used in a LAN networking environment, the computer **1102** can be connected to the local network **1152** through a wired and/or wireless communication network interface or adapter **1156**. The adapter **1156** can facilitate wired or wireless communication to the LAN **1152**, which can also comprise a wireless AP disposed thereon for communicating with the wireless adapter **1156**.

When used in a WAN networking environment, the computer **1102** can comprise a modem **1158** or can be connected to a communications server on the WAN **1154** or has other means for establishing communications over the WAN **1154**, such as by way of the Internet. The modem **1158**, which can be internal or external and a wired or wireless device, can be connected to the system bus **1108** via the input device interface **1142**. In a networked environment, program modules depicted relative to the computer **1102** or portions thereof, can be stored in the remote memory/storage device **1150**. It will be appreciated that the network connections shown are example and other means of establishing a communications link between the computers can be used.

The computer **1102** can be operable to communicate with any wireless devices or entities operatively disposed in wireless communication, e.g., a printer, scanner, desktop and/or portable computer, portable data assistant, communications satellite, any piece of equipment or location associated with a wirelessly detectable tag (e.g., a kiosk, news stand, restroom), and telephone. This can comprise Wireless Fidelity (Wi-Fi) and BLUETOOTH® wireless technologies. Thus, the communication can be a predefined structure as with a conventional network or simply an ad hoc communication between at least two devices.

Wi-Fi can allow connection to the Internet from a couch at home, a bed in a hotel room or a conference room at work, without wires. Wi-Fi is a wireless technology similar to that used in a cell phone that enables such devices, e.g., computers, to send and receive data indoors and out; anywhere within the range of a base station. Wi-Fi networks use radio technologies called IEEE 802.11 (a, b, g, n, ac, etc.) to provide secure, reliable, fast wireless connectivity. A Wi-Fi network can be used to connect computers to each other, to the Internet, and to wired networks (which can use IEEE 802.3 or Ethernet). Wi-Fi networks operate in the unlicensed 2.4 and 5 GHz radio bands for example or with products that contain both bands (dual band), so the networks can provide real-world performance similar to the basic 10BaseT wired Ethernet networks used in many offices.

FIG. 12 presents an example embodiment **1200** of a mobile network platform **1210** that can implement and exploit one or more aspects of the disclosed subject matter described herein. In one or more embodiments, the mobile network platform **1210** can generate and receive signals transmitted and received by base stations (e.g., base station devices **104** and **508**) and repeater devices (e.g., repeater devices **710**, **806**, and **900**) associated with the disclosed subject matter. Generally, wireless network platform **1210** can comprise components, e.g., nodes, gateways, interfaces, servers, or disparate platforms, that facilitate both packet-switched (PS) (e.g., internet protocol (IP), frame relay, asynchronous transfer mode (ATM)) and circuit-switched (CS) traffic (e.g., voice and data), as well as control generation for networked wireless telecommunication. As a non-limiting example, wireless network platform **1210** can be included in telecommunications carrier networks, and can be considered carrier-side components as discussed else-

where herein. Mobile network platform **1210** comprises CS gateway node(s) **1212** which can interface CS traffic received from legacy networks like telephony network(s) **1240** (e.g., public switched telephone network (PSTN), or public land mobile network (PLMN)) or a signaling system #7 (SS7) network **1260**. Circuit switched gateway node(s) **1212** can authorize and authenticate traffic (e.g., voice) arising from such networks. Additionally, CS gateway node(s) **1212** can access mobility, or roaming, data generated through SS7 network **1260**; for instance, mobility data stored in a visited location register (VLR), which can reside in memory **1230**. Moreover, CS gateway node(s) **1212** interfaces CS-based traffic and signaling and PS gateway node(s) **1218**. As an example, in a 3GPP UMTS network, CS gateway node(s) **1212** can be realized at least in part in gateway GPRS support node(s) (GGSN). It should be appreciated that functionality and specific operation of CS gateway node(s) **1212**, PS gateway node(s) **1218**, and serving node(s) **1216**, is provided and dictated by radio technology(ies) utilized by mobile network platform **1210** for telecommunication.

In addition to receiving and processing CS-switched traffic and signaling, PS gateway node(s) **1218** can authorize and authenticate PS-based data sessions with served mobile devices. Data sessions can comprise traffic, or content(s), exchanged with networks external to the wireless network platform **1210**, like wide area network(s) (WANs) **1250**, enterprise network(s) **1270**, and service network(s) **1280**, which can be embodied in local area network(s) (LANs), can also be interfaced with mobile network platform **1210** through PS gateway node(s) **1218**. It is to be noted that WANs **1250** and enterprise network(s) **1270** can embody, at least in part, a service network(s) like IP multimedia subsystem (IMS). Based on radio technology layer(s) available in technology resource(s), packet-switched gateway node(s) **1218** can generate packet data protocol contexts when a data session is established; other data structures that facilitate routing of packetized data also can be generated. To that end, in an aspect, PS gateway node(s) **1218** can comprise a tunnel interface (e.g., tunnel termination gateway (TTG) in 3GPP UMTS network(s) (not shown)) which can facilitate packetized communication with disparate wireless network(s), such as Wi-Fi networks.

In embodiment **1200**, wireless network platform **1210** also comprises serving node(s) **1216** that, based upon available radio technology layer(s) within technology resource(s), convey the various packetized flows of data streams received through PS gateway node(s) **1218**. It is to be noted that for technology resource(s) that rely primarily on CS communication, server node(s) can deliver traffic without reliance on PS gateway node(s) **1218**; for example, server node(s) can embody at least in part a mobile switching center. As an example, in a 3GPP UMTS network, serving node(s) **1216** can be embodied in serving GPRS support node(s) (SGSN).

For radio technologies that exploit packetized communication, server(s) **1214** in wireless network platform **1210** can execute numerous applications that can generate multiple disparate packetized data streams or flows, and manage (e.g., schedule, queue, format . . .) such flows. Such application(s) can comprise add-on features to standard services (for example, provisioning, billing, customer support . . .) provided by wireless network platform **1210**. Data streams (e.g., content(s) that are part of a voice call or data session) can be conveyed to PS gateway node(s) **1218** for authorization/authentication and initiation of a data session, and to serving node(s) **1216** for communication thereafter.

In addition to application server, server(s) **1214** can comprise utility server(s), a utility server can comprise a provisioning server, an operations and maintenance server, a security server that can implement at least in part a certificate authority and firewalls as well as other security mechanisms, and the like. In an aspect, security server(s) secure communication served through wireless network platform **1210** to ensure network's operation and data integrity in addition to authorization and authentication procedures that CS gateway node(s) **1212** and PS gateway node(s) **1218** can enact. Moreover, provisioning server(s) can provision services from external network(s) like networks operated by a disparate service provider; for instance, WAN **1250** or Global Positioning System (GPS) network(s) (not shown). Provisioning server(s) can also provision coverage through networks associated to wireless network platform **1210** (e.g., deployed and operated by the same service provider), such as the distributed antennas networks shown in FIG. **1(s)** that enhance wireless service coverage by providing more network coverage. Repeater devices such as those shown in FIGS. **7**, **8**, and **9** also improve network coverage in order to enhance subscriber service experience by way of UE **1275**.

It is to be noted that server(s) **1214** can comprise one or more processors configured to confer at least in part the functionality of macro network platform **1210**. To that end, the one or more processor can execute code instructions stored in memory **1230**, for example. It is should be appreciated that server(s) **1214** can comprise a content manager, which operates in substantially the same manner as described hereinbefore.

In example embodiment **1200**, memory **1230** can store information related to operation of wireless network platform **1210**. Other operational information can comprise provisioning information of mobile devices served through wireless platform network **1210**, subscriber databases; application intelligence, pricing schemes, e.g., promotional rates, flat-rate programs, couponing campaigns; technical specification(s) consistent with telecommunication protocols for operation of disparate radio, or wireless, technology layers; and so forth. Memory **1230** can also store information from at least one of telephony network(s) **1240**, WAN **1250**, enterprise network(s) **1270**, or SS7 network **1260**. In an aspect, memory **1230** can be, for example, accessed as part of a data store component or as a remotely connected memory store.

In order to provide a context for the various aspects of the disclosed subject matter, FIG. **12**, and the following discussion, are intended to provide a brief, general description of a suitable environment in which the various aspects of the disclosed subject matter can be implemented. While the subject matter has been described above in the general context of computer-executable instructions of a computer program that runs on a computer and/or computers, those skilled in the art will recognize that the disclosed subject matter also can be implemented in combination with other program modules. Generally, program modules comprise routines, programs, components, data structures, etc. that perform particular tasks and/or implement particular abstract data types.

Turning now to FIGS. **13a**, **13b**, and **13c**, illustrated are block diagrams of example, non-limiting embodiments of a slotted waveguide coupler system **1300** in accordance with various aspects described herein. In particular, cross sections of various waveguides are presented near the junction where the waveguide launches a guided wave along a wire. In FIG. **13a**, the waveguide coupler system comprises a wire **1306** that is positioned with respect to a waveguide **1302**, such

that the wire **1306** fits within or near a slot formed in the waveguide **1302** that runs longitudinally with respect to the wire **1306**. The opposing ends **1304a** and **1304b** of the waveguide **1302**, and the waveguide **1302** itself, surrounds less than 180 degrees of the wire surface of the wire **1306**.

In FIG. **13b** the waveguide coupler system comprises a wire **1314** that is positioned with respect to a waveguide **1308**, such that the wire **1314** fits within or near a slot formed in the waveguide **1308** that runs longitudinally with respect to the wire **1314**. The slot surfaces of the waveguide **1308** can be non-parallel, and two different exemplary embodiments are shown in FIG. **13b**. In the first, slot surfaces **1310a** and **1310b** can be non-parallel and aim outwards, slightly wider than the width of the wire **1314**. In the other embodiment, the slots surfaces **1312a** and **1312b** can still be non-parallel, but narrow to form a slot opening smaller than a width of the wire **1314**. Any range of angles of the non-parallel slot surfaces are possible, of which these are two exemplary embodiments.

In FIG. **13c**, the waveguide coupler system shows a wire **1320** that fits within a slot formed in waveguide **1316**. The slot surfaces **1318a** and **1318b** in this exemplary embodiment can be parallel, but the axis **1326** of the wire **1320** is not aligned with the axis **1324** of the waveguide **1316**. The waveguide **1316** and the wire **1320** are therefore not coaxially aligned. In another embodiment, shown, a possible position of the wire at **1322** also has an axis **1328** that is not aligned with the axis **1324** of the waveguide **1316**.

It is to be appreciated that while three different embodiments showing a) waveguide surfaces that surround less than 180 degrees of the wire, b) non parallel slot surfaces, and c) coaxially unaligned wires and waveguide were shown separately in FIGS. **13a**, **13b**, and **13c**, in various embodiments, diverse combinations of the listed features are possible.

Turning now to FIG. **14**, illustrated is an example, non-limiting embodiment of a waveguide coupling system **1400** in accordance with various aspects described herein. FIG. **14** depicts a cross sectional representation of the waveguide and wire embodiments shown in FIGS. **2**, **3**, **4**, etc. As can be seen in **1400**, the wire **1404** can be positioned directly next to and touching waveguide **1402**. In other embodiments, as shown in waveguide coupling system **1410** in FIG. **14b**, the wire **1414** can still be placed near, but not actually touching waveguide strip **1412**. In both cases, electromagnetic waves traveling along the waveguides can induce other electromagnetic waves on to the wires and vice versa. Also, in both embodiments, the wires **1404** and **1414** are placed outside the cross-sectional area defined by the outer surfaces of waveguides **1402** and **1412**.

For the purposes of this disclosure, a waveguide does not surround, in substantial part, a wire surface of a wire when the waveguide does not surround an axial region of the surface, when viewed in cross-section, of more than 180 degrees. For avoidance of doubt, a waveguide does not surround, in substantial part a surface of a wire when the waveguide surrounds an axial region of the surface, when viewed in cross-section, of 180 degrees or less.

It is to be appreciated that while FIGS. **14** and **14b** show wires **1404** and **1414** having a circular shape and waveguides **1402** and **1412** having rectangular shapes, this is not meant to be limiting. In other embodiments, wires and waveguides can have a variety of shapes, sizes, and configurations. The shapes can include, but not be limited to: ovals or other ellipsoid shapes, octagons, quadrilaterals or other polygons with either sharp or rounded edges, or other shapes. Additionally, in some embodiments, the wires **1404**

and 1414 can be stranded wires comprising smaller gauge wires, such as a helical strand, braid or other coupling of individual strands into a single wire. Any of wires and waveguides shown in the figures and described throughout this disclosure can include one or more of these embodiments.

In the subject specification, terms such as “store,” “storage,” “data store,” data storage,” “database,” and substantially any other information storage component relevant to operation and functionality of a component, refer to “memory components,” or entities embodied in a “memory” or components comprising the memory. It will be appreciated that the memory components described herein can be either volatile memory or nonvolatile memory, or can comprise both volatile and nonvolatile memory, by way of illustration, and not limitation, volatile memory, non-volatile memory, disk storage, and memory storage. Further, non-volatile memory can be included in read only memory (ROM), programmable ROM (PROM), electrically programmable ROM (EPROM), electrically erasable ROM (EEPROM), or flash memory. Volatile memory can comprise random access memory (RAM), which acts as external cache memory. By way of illustration and not limitation, RAM is available in many forms such as synchronous RAM (SRAM), dynamic RAM (DRAM), synchronous DRAM (SDRAM), double data rate SDRAM (DDR SDRAM), enhanced SDRAM (ESDRAM), Synchlink DRAM (SLDRAM), and direct Rambus RAM (DRRAM). Additionally, the disclosed memory components of systems or methods herein are intended to comprise, without being limited to comprising, these and any other suitable types of memory.

Moreover, it will be noted that the disclosed subject matter can be practiced with other computer system configurations, comprising single-processor or multiprocessor computer systems, mini-computing devices, mainframe computers, as well as personal computers, hand-held computing devices (e.g., PDA, phone, watch, tablet computers, netbook computers, etc.), microprocessor-based or programmable consumer or industrial electronics, and the like. The illustrated aspects can also be practiced in distributed computing environments where tasks are performed by remote processing devices that are linked through a communications network; however, some if not all aspects of the subject disclosure can be practiced on stand-alone computers. In a distributed computing environment, program modules can be located in both local and remote memory storage devices.

Some of the embodiments described herein can also employ artificial intelligence (AI) to facilitate automating one or more features described herein. For example, artificial intelligence can be used to determine positions around a wire that dielectric waveguides 604 and 606 should be placed in order to maximize transfer efficiency. The embodiments (e.g., in connection with automatically identifying acquired cell sites that provide a maximum value/benefit after addition to an existing communication network) can employ various AI-based schemes for carrying out various embodiments thereof. Moreover, the classifier can be employed to determine a ranking or priority of the each cell site of the acquired network. A classifier is a function that maps an input attribute vector, $x=(x_1, x_2, x_3, x_4, \dots, x_n)$, to a confidence that the input belongs to a class, that is, $f(x)=\text{confidence}(\text{class})$. Such classification can employ a probabilistic and/or statistical-based analysis (e.g., factoring into the analysis utilities and costs) to prognose or infer an action that a user desires to be automatically performed. A support vector machine (SVM) is an example of a classifier

that can be employed. The SVM operates by finding a hypersurface in the space of possible inputs, which the hypersurface attempts to split the triggering criteria from the non-triggering events. Intuitively, this makes the classification correct for testing data that is near, but not identical to training data. Other directed and undirected model classification approaches comprise, e.g., naïve Bayes, Bayesian networks, decision trees, neural networks, fuzzy logic models, and probabilistic classification models providing different patterns of independence that can be employed. Classification as used herein also is inclusive of statistical regression that is utilized to develop models of priority.

As will be readily appreciated, one or more of the embodiments can employ classifiers that are explicitly trained (e.g., via a generic training data) as well as implicitly trained (e.g., via observing UE behavior, operator preferences, historical information, receiving extrinsic information). For example, SVMs can be configured via a learning or training phase within a classifier constructor and feature selection module. Thus, the classifier(s) can be used to automatically learn and perform a number of functions, including but not limited to determining according to a predetermined criteria which of the acquired cell sites will benefit a maximum number of subscribers and/or which of the acquired cell sites will add minimum value to the existing communication network coverage, etc.

As used in some contexts in this application, in some embodiments, the terms “component”, “system” and the like are intended to refer to, or comprise, a computer-related entity or an entity related to an operational apparatus with one or more specific functionalities, wherein the entity can be either hardware, a combination of hardware and software, software, or software in execution. As an example, a component may be, but is not limited to being, a process running on a processor, a processor, an object, an executable, a thread of execution, computer-executable instructions, a program, and/or a computer. By way of illustration and not limitation, both an application running on a server and the server can be a component. One or more components may reside within a process and/or thread of execution and a component may be localized on one computer and/or distributed between two or more computers. In addition, these components can execute from various computer readable media having various data structures stored thereon. The components may communicate via local and/or remote processes such as in accordance with a signal having one or more data packets (e.g., data from one component interacting with another component in a local system, distributed system, and/or across a network such as the Internet with other systems via the signal). As another example, a component can be an apparatus with specific functionality provided by mechanical parts operated by electric or electronic circuitry, which is operated by a software or firmware application executed by a processor, wherein the processor can be internal or external to the apparatus and executes at least a part of the software or firmware application. As yet another example, a component can be an apparatus that provides specific functionality through electronic components without mechanical parts, the electronic components can comprise a processor therein to execute software or firmware that confers at least in part the functionality of the electronic components. While various components have been illustrated as separate components, it will be appreciated that multiple components can be implemented as a single component, or a single component can be implemented as multiple components, without departing from example embodiments.

Further, the various embodiments can be implemented as a method, apparatus or article of manufacture using standard programming and/or engineering techniques to produce software, firmware, hardware or any combination thereof to control a computer to implement the disclosed subject matter. The term “article of manufacture” as used herein is intended to encompass a computer program accessible from any computer-readable device or computer-readable storage/communications media. For example, computer readable storage media can include, but are not limited to, magnetic storage devices (e.g., hard disk, floppy disk, magnetic strips), optical disks (e.g., compact disk (CD), digital versatile disk (DVD)), smart cards, and flash memory devices (e.g., card, stick, key drive). Of course, those skilled in the art will recognize many modifications can be made to this configuration without departing from the scope or spirit of the various embodiments.

In addition, the words “example” and “exemplary” are used herein to mean serving as an instance or illustration. Any embodiment or design described herein as “example” or “exemplary” is not necessarily to be construed as preferred or advantageous over other embodiments or designs. Rather, use of the word example or exemplary is intended to present concepts in a concrete fashion. As used in this application, the term “or” is intended to mean an inclusive “or” rather than an exclusive “or”. That is, unless specified otherwise or clear from context, “X employs A or B” is intended to mean any of the natural inclusive permutations. That is, if X employs A; X employs B; or X employs both A and B, then “X employs A or B” is satisfied under any of the foregoing instances. In addition, the articles “a” and “an” as used in this application and the appended claims should generally be construed to mean “one or more” unless specified otherwise or clear from context to be directed to a singular form.

Moreover, terms such as “user equipment,” “mobile station,” “mobile,” “subscriber station,” “access terminal,” “terminal,” “handset,” “mobile device” (and/or terms representing similar terminology) can refer to a wireless device utilized by a subscriber or user of a wireless communication service to receive or convey data, control, voice, video, sound, gaming or substantially any data-stream or signaling-stream. The foregoing terms are utilized interchangeably herein and with reference to the related drawings.

Furthermore, the terms “user,” “subscriber,” “customer,” “consumer” and the like are employed interchangeably throughout, unless context warrants particular distinctions among the terms. It should be appreciated that such terms can refer to human entities or automated components supported through artificial intelligence (e.g., a capacity to make inference based, at least, on complex mathematical formalisms), which can provide simulated vision, sound recognition and so forth.

As employed herein, the term “processor” can refer to substantially any computing processing unit or device comprising, but not limited to comprising, single-core processors; single-processors with software multithread execution capability; multi-core processors; multi-core processors with software multithread execution capability; multi-core processors with hardware multithread technology; parallel platforms; and parallel platforms with distributed shared memory. Additionally, a processor can refer to an integrated circuit, an application specific integrated circuit (ASIC), a digital signal processor (DSP), a field programmable gate array (FPGA), a programmable logic controller (PLC), a complex programmable logic device (CPLD), a discrete gate or transistor logic, discrete hardware components or any

combination thereof designed to perform the functions described herein. Processors can exploit nano-scale architectures such as, but not limited to, molecular and quantum-dot based transistors, switches and gates, in order to optimize space usage or enhance performance of user equipment. A processor can also be implemented as a combination of computing processing units.

Turning now to FIG. 15, a block diagram is shown illustrating an example, non-limiting embodiment of a guided wave communication system 1550. In operation, a transmission device 1500 receives one or more communication signals 1510 from a communication network or other communications device that include data and generates guided waves 1520 to convey the data via the transmission medium 1525 to the transmission device 1502. The transmission device 1502 receives the guided waves 1520 and converts them to communication signals 1512 that include the data for transmission to a communications network or other communications device. The communication network or networks can include a wireless communication network such as a cellular voice and data network, a wireless local area network, a satellite communications network, a personal area network or other wireless network. The communication network or networks can include a wired communication network such as a telephone network, an Ethernet network, a local area network, a wide area network such as the Internet, a broadband access network, a cable network, a fiber optic network, or other wired network. The communication devices can include a network edge device, bridge device or home gateway, a set-top box, broadband modem, telephone adapter, access point, base station, or other fixed communication device, a mobile communication device such as an automotive gateway, laptop computer, tablet, smartphone, cellular telephone, or other communication device.

In an example embodiment, the guided wave communication system 1550 can operate in a bi-directional fashion where transmission device 1500 receives one or more communication signals 1512 from a communication network or device that includes other data and generates guided waves 1522 to convey the other data via the transmission medium 1525 to the transmission device 1500. In this mode of operation, the transmission device 1502 receives the guided waves 1522 and converts them to communication signals 1510 that include the other data for transmission to a communications network or device.

The transmission medium 1525 can include a wire or other conductor or inner portion having at least one inner portion surrounded by a dielectric material, the dielectric material having an outer surface and a corresponding circumference. In an example embodiment, the transmission medium 1525 operates as a single-wire transmission line to guide the transmission of an electromagnetic wave. When the transmission medium 1525 is implemented as a single wire transmission system, it can include a wire. The wire can be insulated or uninsulated, and single-stranded or multi-stranded. In other embodiments, the transmission medium 1525 can contain conductors of other shapes or configurations including wire bundles, cables, rods, rails, pipes. In addition, the transmission medium 1525 can include non-conductors such as dielectric pipes, rods, rails, or other dielectric members; combinations of conductors and dielectric materials or other guided wave transmission medium. It should be noted that the transmission medium 1525 can otherwise include any of the transmission media previously discussed in conjunction with FIGS. 1-14.

According to an example embodiment, the guided waves **1520** and **1522** can be contrasted with radio transmissions over free space/air or conventional propagation of electrical power or signals through the conductor of a wire. In particular, guided waves **1520** and **1522** are surface waves and other electromagnetic waves that surround all or part of the surface of the transmission medium and propagate with low loss along the transmission medium from transmission device **1500** to transmission device **1502**, and vice versa. The guided waves **1520** and **1522** can have a field structure (e.g., an electromagnetic field structure) that lies primarily or substantially outside of the transmission medium **1525**. In addition to the propagation of guided waves **1520** and **1522**, the transmission medium **1525** may optionally contain one or more wires that propagate electrical power or other communication signals in a conventional manner as a part of one or more electrical circuits.

Turning now to FIG. **16**, a block diagram is shown illustrating an example, non-limiting embodiment of a transmission device **1500** or **1502**. The transmission device **1500** or **1502** includes a communications interface (I/F) **1600**, a transceiver **1610** and a coupler **1620**.

In an example of operation, the communications interface receives a communication signal **1510** or **1512** that includes first data. In various embodiments, the communications interface **1600** can include a wireless interface for receiving a wireless communication signal in accordance with a wireless standard protocol such as LTE or other cellular voice and data protocol, an 802.11 protocol, WIMAX protocol, UltraWideband protocol, Bluetooth protocol, Zigbee protocol, a direct broadcast satellite (DBS) or other satellite communication protocol or other wireless protocol. In addition or in the alternative, the communications interface **1600** includes a wired interface that operates in accordance with an Ethernet protocol, universal serial bus (USB) protocol, a data over cable service interface specification (DOCSIS) protocol, a digital subscriber line (DSL) protocol, a Firewire (IEEE 1394) protocol, or other wired protocol. In addition to standards-based protocols, the communications interface **1600** can operate in conjunction with other wired or wireless protocol. In addition, the communications interface **1600** can optionally operate in conjunction with a protocol stack that includes multiple protocol layers.

In an example of operation, the transceiver **1610** generates a first electromagnetic wave based on the communication signal **1510** or **1512** to convey the first data. The first electromagnetic wave has at least one carrier frequency and at least one corresponding wavelength. In various embodiments, the transceiver **1610** is a microwave transceiver that operates at a carrier frequency with a corresponding wavelength that is less than the circumference of the transmission medium **1525**. The carrier frequency can be within a millimeter wave frequency band of 30 GHz-300 GHz. In one mode of operation, the transceiver **1610** merely upconverts the communications signal or signals **1510** or **1512** for transmission of the first electromagnetic signal in the millimeter wave band. In another mode of operation, the communications interface **1600** either converts the communication signal **1510** or **1512** to a baseband or near baseband signal or extracts the first data from the communication signal **1510** or **1512** and the transceiver **1610** modulates the first data, the baseband or near baseband signal for transmission.

In an example of operation, the coupler **1620** couples the first electromagnetic wave to the transmission medium **1525**. The coupler **1620** can be implemented via a dielectric waveguide coupler or any of the couplers and coupling

devices described in conjunction with FIGS. **1-14**. In an example embodiment, the transmission medium **1525** includes a wire or other inner element surrounded by a dielectric material having an outer surface. The dielectric material can include an insulating jacket, a dielectric coating or other dielectric on the outer surface of the transmission medium **1525**. The inner portion can include a dielectric or other insulator, a conductor, air or other gas or void, or one or more conductors.

In an example of operation, the coupling of the first electromagnetic wave to the transmission medium **1525** forms a second electromagnetic wave that is guided to propagate along the outer surface of the dielectric material of the transmission medium via at least one guided wave mode that includes an asymmetric mode and optionally one or more other modes including a fundamental (symmetric) mode or other asymmetric (non-fundamental) mode. The outer surface of the dielectric material can be the outer surface of an insulating jacket, dielectric coating, or other dielectric. In an example embodiment, the first electromagnetic wave generated by the transceiver **1610** is guided to propagate along the coupler via at least one guided wave mode that includes a symmetric mode and wherein a junction between the coupler and the transmission medium induces the asymmetric mode of the second electromagnetic wave and optionally a symmetric mode of the second electromagnetic wave.

In an example embodiment, the transmission medium **1525** is a single wire transmission medium having an outer surface and a corresponding circumference and the coupler **1620** couples the first electromagnetic wave to the single wire transmission medium. In particular, the coupling of the first electromagnetic wave to the single wire transmission medium forms a second electromagnetic wave that is guided to propagate along the outer surface of the single wire transmission medium via at least one guided wave mode that includes at least one asymmetric mode and optionally a symmetric mode and other asymmetric modes, wherein the at least one carrier frequency is within a millimeter wave frequency band and wherein the at least one corresponding wavelength is less than the circumference of the single wire transmission medium. In one mode of operation, the first electromagnetic wave is guided to propagate along the coupler via at least one guided wave mode that includes a symmetric mode and a junction between the coupler and the transmission medium induces both the asymmetric mode of the second electromagnetic wave and, when present, the symmetric mode of the second electromagnetic wave.

While the prior description has focused on the operation of the transceiver **1610** as a transmitter, the transceiver **1610** can also operate to receive electromagnetic waves that convey second data from the single wire transmission medium via the coupler **1620** and to generate communications signals **1510** or **1512**, via communications interface **1600** that includes the second data. Consider embodiments where a third electromagnetic wave conveys second data that also propagates along the outer surface of the dielectric material of the transmission medium **1525**. The coupler **1620** also couples the third electromagnetic wave from the transmission medium **1525** to form a fourth electromagnetic wave. The transceiver **1610** receives the fourth electromagnetic wave and generates a second communication signal that includes the second data. The communication interface **1600** sends the second communication signal to a communication network or a communications device.

Turning now to FIG. **17**, a diagram is shown illustrating an example, non-limiting embodiment of an electromagnetic

field distribution. In this embodiment, a transmission medium **1525** in air includes an inner conductor **1700** and an insulating jacket **1702** of dielectric material, is shown in cross section. The diagram includes different gray-scales that represent differing electromagnetic field strengths generated by the propagation of the guided wave having an asymmetric mode. The guided wave has a field structure that lies primarily or substantially outside of the transmission medium **1525** that serves to guide the wave. The regions inside the conductor **1700** have little or no field. Likewise regions inside the insulating jacket **1702** have low field strength. The majority of the electromagnetic field strength is distributed in the lobes **1704** at the outer surface of the insulating jacket **1702** and in close proximity thereof. The presence of an asymmetric guided wave mode is shown by the high electromagnetic field strengths at the top and bottom of the outer surface of the insulating jacket **1702**—as opposed very small field strengths on the other sides of the insulating jacket **1702**.

The example shown corresponds to a 38 GHz wave guided by a wire with a diameter of 1.1 cm and a dielectric insulation of thickness of 0.36 cm. Because the electromagnetic wave is guided by the transmission medium **1525** and the majority of the field strength is concentrated in the air outside of the insulating jacket **1702**, the guided wave can propagate longitudinally down the transmission medium **1525** with very low loss.

In an example embodiment, this particular asymmetric mode of propagation is induced on the transmission medium **1525** by an electromagnetic wave having a frequency that falls within a limited range (such as +25%) of the lower cut-off frequency of the asymmetric mode. This cutoff frequency can vary based on the dimensions and properties of the insulating jacket **1702** and the inner conductor **1700** and can be determined experimentally to have a desired mode pattern. At frequencies lower than the lower cut-off frequency, the asymmetric mode is difficult to induce in the transmission medium **1525** and fails to propagate for all but trivial distances. As the frequency increases above the limited range of frequencies about the cut-off frequency, the asymmetric mode shifts more and more inward of the insulating jacket **1702**. At frequencies much larger than the cut-off frequency, the field strength is no longer concentrated outside of the insulating jacket, but primarily inside of the insulating jacket **1702**. While the transmission medium **1525** provides strong guidance to the electromagnetic wave and propagation is still possible, ranges are more limited by increased losses due to propagation within the insulating jacket **1702**—as opposed to the surrounding air.

Turning now to FIG. **18**, a diagram is shown illustrating an example, non-limiting embodiment of an electromagnetic field distribution. In particular, a diagram similar to FIG. **17** is shown with common reference numerals used to refer to similar elements.

The example shown corresponds to a 60 GHz wave guided by a wire with a diameter of 1.1 cm and a dielectric insulation of thickness of 0.36 cm. Because the frequency of the wave is above the limited range of the cut-off frequency, the asymmetric mode has shifted inward of the insulating jacket **1702**. In particular, the field strength is concentrated primarily inside of the insulating jacket **1702**. While the transmission medium **1525** provides strong guidance to the electromagnetic wave and propagation is still possible, ranges are more limited when compared with the embodiment of FIG. **17**, by increased losses due to propagation within the insulating jacket **1702**.

Turning now to FIG. **19**, a block diagram is shown illustrating an example, non-limiting embodiment of a transmission device. In particular, a diagram similar to FIG. **16** is presented with common reference numerals used to refer to similar elements. The transmission device **1500** or **1502** includes a communications interface **1600** that receives a communication signal **1510** or **1512** that includes data. The transceiver **1610** generates a first electromagnetic wave based on the communication signal **1510** or **1512** to convey the first data, the first electromagnetic wave having at least one carrier frequency. A coupler **1620** couples the first electromagnetic wave to the transmission medium **1525** having at least one inner portion surrounded by a dielectric material, the dielectric material having an outer surface and a corresponding circumference. The first electromagnetic wave is coupled to the transmission medium to form a second electromagnetic wave that is guided to propagate along the outer surface of the dielectric material via at least one guided wave mode. The at least one guided wave mode includes an asymmetric mode having a lower cutoff frequency and the at least one carrier frequency is selected to be within a limited range of the lower cutoff frequency.

The transmission device **1500** or **1502** includes an optional training controller **1900**. In an example embodiment, the training controller **1900** is implemented by a standalone processor or a processor that is shared with one or more other components of the transmission device **1500** or **1502**. The training controller **1900** selects the at least one carrier frequency to be within the limited range of the lower cutoff frequency based on feedback data received by the transceiver **1610** from at least one remote transmission device coupled to receive the second electromagnetic wave.

In an example embodiment, a third electromagnetic wave transmitted by a remote transmission device **1500** or **1502** conveys second data that also propagates along the outer surface of the dielectric material of a transmission medium **1525**. The second data can be generated to include the feedback data. In operation, the coupler **1620** also couples the third electromagnetic wave from the transmission medium **1525** to form a fourth electromagnetic wave and the transceiver receives the fourth electromagnetic wave and processes the fourth electromagnetic wave to extract the second data.

In an example embodiment, the training controller **1900** operates based on the feedback data to evaluate a plurality of candidate frequencies and to select the at least one carrier frequency to be within the limited range of the lower cutoff frequency, as one of the plurality of candidate frequencies. For example, the candidate frequencies can be selected based on criteria such as: being in a millimeter wave band, having wavelengths greater than an outer circumference of the transmission medium **1525**, being less than the mean collision frequency of electrons in a conductor that makes up a portion of the transmission medium **1525**, based on experimental results that indicate the limited range of frequencies about the cutoff frequency for a particular transmission medium **1525** and a selected asymmetric mode, and/or based on experimental results or simulations.

Consider the following example: a transmission device **1500** begins operation under control of the training controller **1900** by sending a plurality of guided waves containing test data at a corresponding plurality of candidate frequencies to a remote transmission device **1502** coupled to the transmission medium **1525**. The test data indicates the particular candidate frequency of the signal. The training controller **1900** at the remote transmission device **1502** receives the test data from any of the guided waves that were

properly received and determines the best candidate frequency, a set of acceptable candidate frequencies, or a rank ordering of candidate frequencies. This candidate frequency or frequencies is generated by the training controller 1900 based on one or more optimizing criteria such as received signal strength, bit error rate, packet error rate, signal to noise ratio or other optimizing criteria can be generated by the transceiver 1610 of the remote transmission device 1502. The training controller 1900 generates feedback data that indicates the candidate frequency or frequencies and sends the feedback data to the transceiver 1610 for transmission to the transmission device 1500. The transmission device 1500 and 1502 can then communicate data with one another utilizing the indicated carrier frequency or frequencies.

While the procedure above has been described in a start-up or initialization mode of operation, each transmission device 1500 or 1502 can send test signals or otherwise evaluate candidate frequencies at other times as well. In an example embodiment, the communication protocol between the transmission devices 1500 and 1502 can include a periodic test mode where either full testing or more limited testing of a subset of candidate frequencies are tested and evaluated. In other modes of operation, the re-entry into such a test mode can be triggered by a degradation of performance due to an impairment, weather conditions, etc. In an example embodiment, the receiver bandwidth of the transceiver 1610 is either sufficiently wide to include all candidate frequencies or can be selectively adjusted by the training controller 1900 to a training mode where the receiver bandwidth of the transceiver 1610 is sufficiently wide to include all candidate frequencies.

While the guided wave above has been described as propagating on the outer surface of an outer dielectric surface of the transmission medium 1525, other outer surfaces of a transmission medium 1525 including the outer surface of a bare wire could likewise be employed. Further, while the training controller 1900 has been described above as selecting a candidate frequency to be within a limited range of the lower cut-off frequency of an asymmetric mode, the training controller 1900 could be used to establish a candidate frequency that optimizes, substantially optimizes or pareto optimizes the propagation along a transmission medium 1525 based on one or more performance criteria such as throughput, packet error rate, signal strength, signal to noise ratio, signal to noise and interference ratio, channel separation in a multi-channel system, and/or other performance criteria—with or without an asymmetric mode and with or without regard to whether the candidate frequency falls within a limited range of the lower cutoff frequency of any particular mode.

FIG. 20 is a block diagram of an example, non-limiting embodiment of a transmission device in accordance with various aspects described herein. In particular, a transmission device 2000 is shown (which can include, for example, transmission device 1500 or 1502 or other transmission device) that includes a plurality of transceivers 2020, 2020' (which can include, for example, transceivers 1610 or other transceivers), each having a transmitting device (or transmitter) and/or a receiving device (or receiver) that is coupled to a corresponding waveguide 2022, 2022' and coupler 2004, 2004'. The plurality of couplers 2004, 2004' (which can include, for example the coupler 1620 or other coupler) can be referred to collectively as a "coupling module". Each coupler 2004 or 2004' of such a coupling module includes a receiving portion 2010 or 2010' that receives an electromagnetic wave 2006 or 2006' conveying first data from a transmitting device of transceiver 2020 or 2020' via wave-

guide 2022 or 2022'. A guiding portion 2012 or 2012' of the coupler 2004 or 2004' guides an electromagnetic wave 2006 or 2006' to a junction 2014 for coupling the electromagnetic wave 2006 or 2006' to a transmission medium 2002. In the embodiment shown, the junction 2014 includes an air gap, however other configurations are possible both with, and without an air gap. The guiding portion 2012 or 2012' can include a tapered end 2015 or 2015' that terminates at the junction 2014.

Each electromagnetic wave 2006 or 2006' propagates via at least one first guided wave mode on either the outer surface of the coupler, or within the coupler or a combination thereof. The coupling of the electromagnetic waves 2006 and 2006' to the transmission medium 2002 via the junction 2014 forms, generates, couples or induces a plurality of electromagnetic waves 2008 and 2008' that are guided to propagate along the outer surface of the transmission medium 2002 via at least one second guided wave mode that differs from the at least one first guided wave mode. The transmission medium 2002 can be a single wire transmission medium or other transmission medium that supports the propagation of the electromagnetic waves 2008 and 2008' along the outer surface of the transmission medium 2002 to convey the first data. As discussed in conjunction with FIG. 17, the electromagnetic waves 2008 and 2008' can have a field structure that lies primarily or substantially outside of the transmission medium 2002 that serves to guide the wave.

In various embodiments, the electromagnetic waves 2006 and 2006' propagate along couplers 2004 and 2004' via one or more first guided wave modes that can include either exclusively or substantially exclusively a symmetrical (fundamental) mode, however other modes can optionally be included in addition or in the alternative. In accordance with these embodiments, the at least one second guided wave mode of the electromagnetic waves 2008 and 2008' includes at least one asymmetric mode that is not included in the guided wave modes of the electromagnetic waves 2006 and 2006' that propagate along each coupler 2004 or 2004'. In operation, the junctions 2014 induce the electromagnetic waves 2008 and 2008' on transmission medium 2002 to optionally include a symmetric (or fundamental) mode, but also one or more asymmetric (or non-fundamental) modes not included in the guided wave modes of the electromagnetic wave 2006 or 2006' that propagate along the coupler 2004 or 2004'.

More generally, consider the at least one first guided wave mode of an electromagnetic wave 2006 or 2006' to be defined by the set of modes S1 where:

$$S1=(m11,m12,m13, \dots)$$

And where the individual modes m11, m12, m13, . . . can each be either a symmetrical (or fundamental) mode or an asymmetrical (or non-fundamental) mode that propagate more than a trivial distance, i.e. that propagate along the length of the guiding portion 2012 or 2012' of a coupler 2004 or 2004' from the receiving end 2010 or 2010' to the other end 2015 or 2015'.

Also consider the at least one second guided wave mode of the electromagnetic wave 2008 or 2008' to be defined by the set of modes S2 where:

$$S2=(M21,M22,M23, \dots)$$

And, the individual modes M21, M22, M23, . . . can each be either a symmetrical mode or an asymmetrical mode that propagate along the length of the transmission medium 2002 more than a trivial distance, i.e. that propagate sufficiently to

reach a remote transmission device coupled at a different location on the transmission medium **2002**.

In various embodiments, that condition that at least one first guided wave mode is different from at least one second guided wave mode implies that $S1 \neq S2$. In particular, $S1$ may be a proper subset of $S2$, $S1$ may be a proper subset of $S2$, or the intersection between $S1$ and $S2$ may be the null set, for example if the media used by the couplers **2004** and **2004'** vary from the transmission medium **2002**, otherwise may be null if there are no common modes between the sets $S1$ and $S2$.

In addition to operating as a transmitter, the transmission device **2000** can operate as a receiver as well. In this mode of operation, a plurality of electromagnetic waves **2018** and **2018'** convey second data that also propagates along the outer surface of the transmission medium **2002**, but in the opposite direction of the electromagnetic waves **2008** and **2008'**. Each junction **2014** couples one of the electromagnetic waves **2018** or **2018'** from the transmission medium **2002** to form an electromagnetic wave **2016** or **2016'** that is guided to a receiver of the corresponding transceiver **2020** or **2020'** by the guiding portion **2012** or **2012'**.

In various embodiments, the first data conveyed by the plurality of second electromagnetic waves **2008** and **2008'** includes a plurality of data streams that differ from one another and wherein the each of the plurality of first electromagnetic waves **2006** or **2006'** conveys one of the plurality of data streams. More generally, the transceivers **2020** or **2020'** operate to convey either the same data stream or different data streams via time division multiplexing, frequency division multiplexing, or mode division multiplexing. In this fashion, the transceivers **2020** or **2020'** can be used in conjunction with a MIMO transmission system to send and receive full duplex data via one or more MIMO modes such as azimuthal diversity, cyclic delay diversity, spatial coding, space time block coding, space frequency block coding, hybrid space time/frequency block coding, single stream multi-coupler spatial mapping or other MIMO transmission/reception scheme.

While the transmission device **2000** is shown with two transceivers **2020** and **2020'** and two couplers **2004** and **2004'** arranged at the top and bottom of the transmission medium **2002**, other configurations can include differing orientations of the couplers **2004** and **2004'** such as at orientations of 0 and $\pi/2$, or at other angular or spatial deviations with respect to one another. Other configurations can include three or more transceivers and corresponding couplers. For example, a transmission device **2000** with four transceivers **2020**, **2020'** . . . and four couplers **2004**, **2004'** . . . can be arranged at azimuthally around the outer surface of a cylindrical transmission medium at equidistant orientations of 0 , $\pi/2$, π , and $3\pi/4$. Considering a further example, a transmission device **2000** with n transceivers **2020**, **2020'** . . . can include n couplers **2004**, **2004'**, arranged azimuthally around the outer surface of a cylindrical transmission medium at angles $2\pi/n$ apart.

In an embodiment, the transceivers **2020** and **2020'** are configured to modulate data to generate electromagnetic waves **2006** and **2006'** on their corresponding couplers **2004** and **2004'**. The couplers **2004** and **2004'** are each configured to couple at least a portion of their corresponding electromagnetic waves **2006** and **2006'** to the transmission medium **2002**. In particular, each coupler generates one of the plurality of electromagnetic waves **2008** or **2008'** that propagate along the outer surface of the transmission medium **2002** via differing ones of a plurality of guided wave modes.

Consider the guided wave mode of electromagnetic waves **2008** to be defined by the set of modes $S2$ where:

$$S2=(M21,M22,M23, \dots)$$

5 And, the individual modes $M21$, $M22$, $M23$, . . . can each be either a symmetrical (or fundamental) mode or an asymmetrical (or non-fundamental) mode that propagate along the length of the transmission medium **2002** more than a trivial distance, i.e. that propagate sufficiently to reach a remote transmission device coupled at a different location on the transmission medium **2002**. Further consider the guided wave mode of electromagnetic waves **2008'** to be defined by the set of modes $S2'$ where:

$$S2'=(M21',M22',M23', \dots)$$

15 And, the individual modes $M21'$, $M22'$, $M23'$, . . . can each be either a symmetrical (or fundamental) mode or an asymmetrical (or non-fundamental) mode that propagates along the length of the transmission medium **2002** more than a trivial distance, i.e. that propagate sufficiently to reach the remote transmission device.

In various embodiments, the condition that the plurality of electromagnetic waves **2008** or **2008'** that propagate along the outer surface of the transmission medium **2002** via differing ones of a plurality of guided wave modes implies the particular case where $S2 \neq S2'$. In this particular case, $S2$ may be a proper subset of $S2'$, $S2'$ may be a proper subset of $S2$, or the intersection between $S2$ and $S2'$ may be the null set. By way of further example, the individual modes of $S2$ and $S2'$ can differ from one other by being of different order or by having different properties of orientation, rotation, etc.

Consider a case where:

$$S2=M21$$

$$S2'=M21'$$

35 And further where $M21$ and $M21'$ are both first-order dipole (non-fundamental) modes generated by corresponding couplers **2004** and **2004'** arranged at azimuthal orientations of 0 and $\pi/2$. In this example, the modes $M21$ and $M21'$, while having the same physical mode, nevertheless differ from one another by angular deviation. The angular deviation between the $M21$ and $M21'$ can be exploited in a mode division multiplexing scheme. In particular, symbols generated and sent via mode $M21$ can share the transmission medium **2002** with symbols generated and sent via mode $M21'$. The angular deviation between these modes can be used to reduce inter-symbol interference (ISI) between symbols sent via mode $M21$ and contemporaneous symbols sent via mode $M21'$. Further examples including several optional functions and features are described in conjunction with FIGS. **21-23** that follow.

Turning now to FIG. **21**, a diagram is shown illustrating example, non-limiting embodiments of electromagnetic distributions in accordance with various aspects described herein. The electromagnetic distributions **2100** and **2102** correspond to particular guided wave modes of a mode division multiplexing scheme used to convey data via electromagnetic waves, such as **2008** and **2008'** presented in conjunction with FIG. **20**. In this embodiment, the transmission medium **2002** is in air and includes an inner conductor and an insulating jacket of dielectric material, as shown in cross section. These diagrams **2100** and **2102** include different gray-scales that represent differing electromagnetic field strengths generated by the propagation of guided waves having differing asymmetric (non-fundamental) modes. As shown, each guided wave has a field structure

that lies primarily or substantially outside of the transmission medium **2002** that serves to guide the wave.

In accordance with these examples, electromagnetic distribution **2100** corresponds to a guided wave mode **M21** and electromagnetic distribution **2102** corresponds to a guided wave mode **M21'** generated by corresponding couplers, such as couplers **2004** and **2004'** of FIG. **20**, arranged at azimuthal orientations of 0 and $\pi/2$. In this case, the guided wave modes **M21** and **M21'** correspond to first-order dipoles with differing azimuthal orientations. In particular, the guided wave modes **M21** and **M21'** each have an electromagnetic field strength that varies with azimuthal orientation to the longitudinal axis of the transmission medium **2002**.

In the example shown, guided wave mode **M21** has an electromagnetic field pattern that includes lobes centered about the azimuthal orientations 0 and π radians. Guided wave mode **M21'** has an electromagnetic field pattern that includes lobes centered about the azimuthal orientations $\pi/2$ and $3\pi/2$ radians.

As previously discussed, the angular deviation between the **M21** and **M21'** can be exploited in a mode division multiplexing scheme. In particular, symbols generated and sent via mode **M21** can share the transmission medium **2002** with symbols generated and sent via mode **M21'**. The angular deviation between these modes can be used to reduce inter-symbol interference (ISI) between symbols sent via mode **M21** and contemporaneous symbols sent via mode **M21'**. The azimuthal orientations of the lobes of guided wave mode **M21** (0 and π radians) correspond to local minima of the electromagnetic field pattern of the guided wave mode **M21'**. Further, the azimuthal orientations of the lobes of guided wave mode **M21'** ($\pi/2$ and $3\pi/2$ radians) correspond to local minima of the electromagnetic field pattern of the guided wave mode **M21**. The juxtaposition of orientations of high field strength in one symbol sent via **M21** with orientations of relatively lower field strength sent via **M21'** allow these symbols to be sent contemporaneously on the transmission medium **2002**, with little inter-symbol interference.

Turning now to FIG. **22**, a diagram is shown illustrating example, non-limiting embodiments of propagation patterns in accordance with various aspects described herein. In accordance with these examples, propagation pattern **2200** corresponds to a guided wave mode **M21** that propagates helically with left-hand (counter clockwise) rotation. Propagation pattern **2202** corresponds to a guided wave mode **M21'** that propagates helically with right-hand (clockwise) rotation. In this case, the guided wave modes **M21** and **M21'** can correspond to any asymmetrical electromagnetic field pattern that varies with azimuthal orientation. As each guided wave, for example electromagnetic waves **2008** and **2008'**, propagates longitudinally along the transmission medium **2002**, the electromagnetic field pattern rotates uniformly as a function of longitudinal displacement in the helical pattern that is shown. As such, the electromagnetic field strength of **M21** varies helically along the longitudinal axis of the transmission medium **2002** via a first direction of rotation and the electromagnetic field strength of **M21'** varies helically along the longitudinal axis of the transmission medium **2002** via a second direction of rotation.

As previously discussed, the differences in helical propagation between the **M21** and **M21'** can be exploited in a mode division multiplexing scheme. In particular, symbols generated and sent via mode **M21** can share the transmission medium **2002** with symbols generated and sent via mode **M21'**. The couplers in a remote receiving device can be designed and oriented to receive either **M21** while attenu-

ating **M21'** or either **M21'** while attenuating **M21**—reducing inter-symbol interference (ISI) between symbols sent via mode **M21** and contemporaneous symbols sent via mode **M21'**.

Turning now to FIG. **23**, a diagram is shown illustrating example, non-limiting embodiments of electromagnetic distributions in accordance with various aspects described herein. In accordance with these examples, electromagnetic distributions **2304** and **2306** correspond to a guided wave mode **M21** that propagates helically with left-hand (counter clockwise) rotation. Electromagnetic distributions **2300** and **2302** correspond to a guided wave mode **M21'** that propagates helically with right-hand (clockwise) rotation. In the example shown, guided wave modes **M21** and **M21'** initially have an electromagnetic field pattern that includes lobes centered about the azimuthal orientations 0 and π radians, however other non-fundamental electromagnetic field patterns are likewise possible. While the initial electromagnetic field patterns are initially oriented the same, any angular offset in the range $(0-2\pi)$ is likewise possible in other embodiments.

As each guided wave, for example electromagnetic waves **2008** and **2008'** discussed in conjunction with FIG. **20**, propagates longitudinally along the transmission medium, the electromagnetic field pattern rotates uniformly as a function of longitudinal displacement in a helical pattern. After some time Δt , the electromagnetic field pattern of **M21** rotates clockwise over an angular displacement $\Delta\Phi_1$ and the electromagnetic field pattern of **M21'** rotates counter-clockwise over an angular displacement $\Delta\Phi_2$. In some embodiments the helical rotations in each direction are uniform and therefore,

$$\Delta\Phi_1 = \Delta\Phi_2$$

In other cases however,

$$\Delta\Phi_1 \neq \Delta\Phi_2$$

For example when the transmission medium is helically stranded in one direction, helical modes that may have different rotational velocities depending on whether they are produced in the same direction of the helical strands or against the direction of the helical strands. For a constant time period Δt , this difference in rotational velocity would yield unequal angular displacements $\Delta\Phi_1$ and $\Delta\Phi_2$.

Turning now to FIG. **24**, a diagram is shown illustrating an example, non-limiting embodiment of a guided wave communication system in accordance with various aspects described herein. Like the system **1550** described in conjunction with FIG. **15**, a transmission device **1500** receives one or more communication signals **1510** from a communication network or other communications device that include data and generates guided waves **1520** to convey the data via the transmission medium **1525** to the transmission device **1502**. The transmission device **1502** receives the guided waves **1520** and converts them to communication signals **1512** that include the data for transmission to a communications network or other communications device. The communication network or networks can include a wireless communication network such as a cellular voice and data network, a wireless local area network, a satellite communications network, a personal area network or other wireless network. The communication network or networks can include a wired communication network such as a telephone network, an Ethernet network, a local area network, a wide area network such as the Internet, a broadband access network, a cable network, a fiber optic network, or other wired network. The communication devices can

include a network edge device, bridge device or home gateway, a set-top box, broadband modem, telephone adapter, access point, base station, or other fixed communication device, a mobile communication device such as an automotive gateway, laptop computer, tablet, smartphone, cellular telephone, or other communication device.

In addition, the guided wave communication system 1550 can operate in a bi-directional fashion where transmission device 1500 receives one or more communication signals 1512 from a communication network or device that includes other data and generates guided waves 1522 to convey the other data via the transmission medium 1525 to the transmission device 1500. In this mode of operation, the transmission device 1502 receives the guided waves 1522 and converts them to communication signals 1510 that include the other data for transmission to a communications network or device.

The transmission device 1500 or 1502 includes a communications interface (Com I/F) 1600 that receives a communication signal 1510 or 1512 that includes data. The transceivers (Xcvrs) 1610 each generate electromagnetic waves based on the communication signal 1510 or 1512 to convey the data. The couplers 1620 couple these electromagnetic waves to the transmission medium 1525 as guided waves 1520 for transmission on the outer surface of the transmission medium 1525. The transmission device 1500 or 1502 includes a training controller 1900 that optionally includes the functionality previously described in conjunction with FIG. 19 and further includes additional functions and features as described herein. The training controller 1900 can be implemented by a standalone processor or processing circuit or a processor or processing circuit that is shared with one or more other components of the transmission device 1500 or 1502.

In an example of operation, the transceivers 1610 of transmission device 1500 are configured to modulate data from the communication signals 1510 to generate a plurality of first electromagnetic waves in accordance with channel equalization parameters and/or other channel control parameters. The couplers 1620 of transmission device 1500 are configured to couple at least a portion of the plurality of these first electromagnetic waves to a transmission medium, wherein the plurality of couplers generate a plurality of second electromagnetic waves as guided waves 1520 that propagate along the outer surface of the transmission medium. The training controller 1900 of the transmission device 1500 is configured to generate the channel equalization and/or other channel control parameters based on channel state information 2404 received from at least one remote transmission device, such as via the guided waves 1522. However, if an alternative communication path exists between transmission device 1500 and 1502 this alternative communication path could optionally be employed to convey the channel state information 2404 to the transmission device 1500. In this fashion, the training controller 1900 of the transmission device 1500 can modify the operation of the transceivers 1610 to equalize the communication channel between the transmission device 1500 and 1502 formed by the transmission medium 1525 to compensate for phase and frequency variations, channel dispersion, scattering, fading and other distortion.

In an embodiment, the guided waves 1520 include training signals 2402. These training signals 2402 can include one or more training fields or sequences or other pilot signals with properties that are known to both the transmission device 1500 and 1502. These training signals 2402 can be included in the preamble of general packetized communi-

cations sent via guided waves 1520 or otherwise transmitted in sui generis training communications. After the training signals 2402 are received by the transceivers of 1610 of the transmission device 1502, the training controller 1900 of the transmission device 1502 can generate the channel state information to feedback channel state information that includes either raw observations relating to the amplitude and phase of the training signals 2402 as received by the transmission device or an estimated channel matrix or other indication of channel estimation based on an analysis of the received training signals 2402 performed by the training controller 1900 of the transmission device 1502. In other examples, the training controller 1900 of the transmission device 1502 can go further to generate channel state information 2404 that indicates actual or recommended channel control parameters, such as a modulation type, bit rate, MIMO mode, frequency band, frequency channels, error coding depth, OFDM channels or parameters and/or specific channel equalization parameters such as phase offsets and/or amplitudes to be used by the transmission device 1500 in generating the guided waves 1520.

While the foregoing has focused on the channel equalization of transmission device 1500 based on channel state information 2404 received from the transmission device 1502, it should also be noted that the transmission devices 1500 and 1502 can operate in a reciprocal fashion to provide channel equalization in the transmission device 1502 for the guided waves 1522. In this fashion, similar training signals can be included in the guided waves 1522 and channel state information generated by the training controller 1900 of the transmission device 1500 can be used by the training controller 1900 of transmission device 1502 to provide control and/or equalization of its transceivers 1610. In other embodiments, either transmission device 1500 or transmission device 1502 can perform a reverse channel estimation.

Turning now to FIG. 25 a diagram is shown illustrating an example, non-limiting embodiment of channel parameters in accordance with various aspects described herein. In particular, an example is shown where transmission device 1500 includes m couplers 1620 and transmission device 1502 includes n couplers 1620. In an embodiment,

$$m=n$$

however other configurations are possible where the transmission device 1500 and 1502 include a different number of couplers 1620.

Considering the equalization and control of the channel from transmission device 1500 to transmission device 1502, the m couplers of transmission device 1500 operate as transmit couplers and the n couplers of the transmission device 1502 operate as receive couplers. The characteristics of the channel can be represented by the equation:

$$y=Hx+r$$

where y is a vector of n output signals received via the n couplers of transmission device 1502, x is a vector of m input signals transmitted via the m couplers of transmission device 1500, r is a noise vector, and H is an m×n matrix of complex channel parameters h_{ij} , where

$$H = \begin{pmatrix} h_{11} & \dots & h_{1n} \\ \vdots & \ddots & \vdots \\ h_{m1} & \dots & h_{mn} \end{pmatrix}$$

The current channel state can be estimated based on an analysis of the training signals. Considering the training signals to be a sequence of a known input signals $p_1 \dots p_a$. Considering the i th training signal, p_i

$$y_i = H p_i + r$$

Considering the output for all the received training signals y_i for $i=1 \dots a$, the total training results can be represented by

$$Y = H P + R$$

Where $Y = [y_1 \dots y_a]$, $P = [p_1 \dots p_a]$ and $R = [r_1 \dots r_a]$. Because Y and P are known, the channel matrix H , can be estimated, even in the presence of noise R , based on a least squares estimation, a Bayesian estimation or other estimation technique. Once the channel matrix H has been estimated, the transmission device **1500** can apply precoding or filtering in the transceivers **1610** to modify the phase and/or amplitude of input signals x to compensate for actual channel conditions. In addition, an analysis of the estimated channel matrix H can be used to modify the modulation type, bit rate, MIMO mode, error correction code depth, frequency channels, OFDM parameters or other encoding or control parameters of the transceivers **1610** in order to compensate for current channel conditions.

Turning now to FIG. **26**, a flow diagram is shown illustrating an example, non-limiting embodiment of a method **2600**. The method can be used in conjunction with one or more functions and features described in conjunction with FIGS. **1-30**. Step **2602** includes modulating data, by at least one transceiver, to generate a plurality of first electromagnetic waves. Step **2604** includes coupling or directing, by a plurality of couplers, at least a portion of each of the plurality of electromagnetic waves onto an outer surface of a transmission medium to generate or induce a plurality of second electromagnetic waves that propagate along the outer surface of the transmission medium, wherein the plurality of second electromagnetic waves propagate via differing ones of a plurality of guided wave modes.

In various embodiments, the plurality of guided wave modes includes a first non-fundamental mode and a second non-fundamental mode. For example, the first non-fundamental mode can have a first electromagnetic field strength that varies with azimuthal orientation to a longitudinal axis of the transmission medium and the second non-fundamental mode can have a second electromagnetic field strength of that varies with azimuthal orientation to the longitudinal axis of the transmission medium. The first non-fundamental mode can have a first electromagnetic field pattern that includes a first lobe at a first azimuthal orientation to a longitudinal axis of the transmission medium and the second non-fundamental mode can have a second electromagnetic field pattern that includes a second lobe at a second azimuthal orientation to the longitudinal axis of the transmission medium, and wherein the first azimuthal orientation differs from the second azimuthal orientation. The first azimuthal orientation can correspond to a local minimum of the second electromagnetic field pattern and the second azimuthal orientation can correspond to a local minimum of the first electromagnetic field pattern.

In various embodiments, the first non-fundamental mode has a first electromagnetic field strength that varies helically along a longitudinal axis of the transmission medium and the second non-fundamental mode has a second electromagnetic field strength of that varies helically along the longitudinal axis of the transmission medium. The first electromagnetic field strength can vary helically along the longitudinal axis of the transmission medium via a first direction of rotation

and the second electromagnetic field strength can vary helically along the longitudinal axis of the transmission medium via a second direction of rotation.

Turning now to FIG. **27**, a flow diagram is shown illustrating an example, non-limiting embodiment of a method **2700**. The method can be used in conjunction with one or more functions and features described in conjunction with FIGS. **1-26**. Step **2702** includes generating channel equalization parameters or other channel control parameters based on channel state information received from at least one remote transmission device. Step **2704** includes modulating data, by at least one transceiver, to generate a plurality of first electromagnetic waves in accordance with the channel equalization or control parameters. Step **2706** includes coupling, by a plurality of couplers, at least a portion of each of the plurality of electromagnetic waves onto an outer surface of a transmission medium to generate a plurality of second electromagnetic waves that propagate along the outer surface of the transmission medium.

In various embodiments, the second electromagnetic waves include at least one training field and wherein the at least one remote transmission device generates the channel state information based on an analysis of the at least one training field. The channel state information can include a channel estimate, a selection of at least one of: a modulation type and a bit rate. The channel equalization or other control parameters can include a plurality of phase offsets and wherein the at least one transceiver generates the plurality of first electromagnetic waves based on the plurality of phase offsets. The at least one transceiver can operate in a selected one of a plurality of multi-input multi-output (MIMO) modes, based on the channel state information. The at least one transceiver modulates the data to generate the plurality of first electromagnetic waves in accordance with orthogonal frequency division multiplexing that is adapted based on the channel state information.

Electromagnetic waves as described by the subject disclosure can be affected by the presence of a physical object (e.g., a bare wire or other conductor, a dielectric, an insulated wire, a conduit or other hollow element, a bundle of insulated wires that is coated, covered or surrounded by a dielectric or insulator or other wire bundle, or another form of solid, liquid or otherwise non-gaseous transmission medium) so as to be at least partially bound to or guided by the physical object and so as to propagate along a transmission path of the physical object. Such a physical object can operate as a transmission medium that guides, by way of an interface of the transmission medium (e.g., an outer surface, inner surface, an interior portion between the outer and the inner surfaces or other boundary between elements of the transmission medium), the propagation of electromagnetic waves ("guided electromagnetic waves"), which in turn can carry energy and/or data along the transmission path from a sending device to a receiving device.

Unlike free space propagation of wireless signals such as unguided (or unbounded) electromagnetic waves that decrease in intensity inversely by the square of the distance traveled by the unguided electromagnetic waves, guided electromagnetic waves can propagate along a transmission medium with less loss in magnitude per unit distance than experienced by unguided electromagnetic waves.

Unlike electrical signals, guided electromagnetic waves can propagate from a sending device to a receiving device without requiring a separate electrical return path between the sending device and the receiving device. As a consequence, guided electromagnetic waves can propagate from a sending device to a receiving device along a transmission

medium having no conductive components (e.g., a dielectric strip), or via a transmission medium having no more than a single conductor (e.g., a single bare wire or insulated wire). Even if a transmission medium includes one or more conductive components and the guided electromagnetic waves propagating along the transmission medium generate currents that flow in the one or more conductive components in a direction of the guided electromagnetic waves, such guided electromagnetic waves can propagate along the transmission medium from a sending device to a receiving device without requiring a flow of opposing currents on an electrical return path between the sending device and the receiving device.

In a non-limiting illustration, consider electrical systems that transmit and receive electrical signals between sending and receiving devices by way of conductive media. Such systems generally rely on electrically separate forward and return paths. For instance, consider a coaxial cable having a center conductor and a ground shield that are separated by an insulator. Typically, in an electrical system a first terminal of a sending (or receiving) device can be connected to the center conductor, and a second terminal of the sending (or receiving) device can be connected to the ground shield. If the sending device injects an electrical signal in the center conductor via the first terminal, the electrical signal will propagate along the center conductor causing forward currents in the center conductor, and return currents in the ground shield. The same conditions apply for a two terminal receiving device.

In contrast, consider a waveguide system such as described in the subject disclosure, which can utilize different embodiments of a transmission medium (including among others a coaxial cable) for transmitting guided electromagnetic waves without an electrical return path. In one embodiment, for example, the waveguide system of the subject disclosure can be configured to induce guided electromagnetic waves that propagate along an outer surface of a coaxial cable. Although the guided electromagnetic waves will cause forward currents on the ground shield, the guided electromagnetic waves do not require return currents to enable the guided electromagnetic waves to propagate along the outer surface of the coaxial cable. The same can be said of other transmission media used by a waveguide system for the transmission of guided electromagnetic waves. For example, guided electromagnetic waves induced by the waveguide system on an outer surface of a bare wire, or an insulated wire can propagate along the bare wire or the insulated bare wire without an electrical return path.

Consequently, electrical systems that require two or more conductors for carrying forward and reverse currents on separate conductors to enable the propagation of electrical signals injected by a sending device are distinct from waveguide systems that induce guided electromagnetic waves on an interface of a transmission medium without the need of an electrical return path to enable the propagation of the guided electromagnetic waves along the interface of the transmission medium.

It is further noted that guided electromagnetic waves as described in the subject disclosure can have an electromagnetic field structure that lies primarily or substantially outside of a transmission medium so as to be bound to or guided by the transmission medium and so as to propagate non-trivial distances on or along an outer surface of the transmission medium. In other embodiments, guided electromagnetic waves can have an electromagnetic field structure that lies primarily or substantially inside a transmission medium so as to be bound to or guided by the transmission medium

and so as to propagate non-trivial distances within the transmission medium. In other embodiments, guided electromagnetic waves can have an electromagnetic field structure that lies partially inside and partially outside a transmission medium so as to be bound to or guided by the transmission medium and so as to propagate non-trivial distances along the transmission medium.

As used herein, the term “millimeter-wave” can refer to electromagnetic waves that fall within the “millimeter-wave frequency band” of 30 GHz to 300 GHz. The term “microwave” can refer to electromagnetic waves that fall within the “microwave frequency band” of 300 MHz to 300 GHz.

As used herein, the term “antenna” can refer to a device that is part of a transmitting or receiving system to radiate or receive wireless signals.

As used herein, terms such as “data storage,” “database,” and substantially any other information storage component relevant to operation and functionality of a component, refer to “memory components,” or entities embodied in a “memory” or components comprising the memory. It will be appreciated that the memory components or computer-readable storage media, described herein can be either volatile memory or nonvolatile memory or can include both volatile and nonvolatile memory.

In addition, a flow diagram may include a “start” and/or “continue” indication. The “start” and “continue” indications reflect that the steps presented can optionally be incorporated in or otherwise used in conjunction with other routines. In this context, “start” indicates the beginning of the first step presented and may be preceded by other activities not specifically shown. Further, the “continue” indication reflects that the steps presented may be performed multiple times and/or may be succeeded by other activities not specifically shown. Further, while a flow diagram indicates a particular ordering of steps, other orderings are likewise possible provided that the principles of causality are maintained.

As may also be used herein, the term(s) “operably coupled to”, “coupled to”, and/or “coupling” includes direct coupling between items and/or indirect coupling between items via one or more intervening items. Such items and intervening items include, but are not limited to, junctions, communication paths, components, circuit elements, circuits, functional blocks, and/or devices. As an example of indirect coupling, a signal conveyed from a first item to a second item may be modified by one or more intervening items by modifying the form, nature or format of information in a signal, while one or more elements of the information in the signal are nevertheless conveyed in a manner than can be recognized by the second item. In a further example of indirect coupling, an action in a first item can cause a reaction on the second item, as a result of actions and/or reactions in one or more intervening items.

What has been described above includes mere examples of various embodiments. It is, of course, not possible to describe every conceivable combination of components or methodologies for purposes of describing these examples, but one of ordinary skill in the art can recognize that many further combinations and permutations of the present embodiments are possible. Accordingly, the embodiments disclosed and/or claimed herein are intended to embrace all such alterations, modifications and variations that fall within the spirit and scope of the appended claims. Furthermore, to the extent that the term “includes” is used in either the detailed description or the claims, such term is intended to

be inclusive in a manner similar to the term “comprising” as “comprising” is interpreted when employed as a transitional word in a claim.

What is claimed is:

1. A transmission device comprising:

at least one transceiver configured to modulate data to generate a plurality of first electromagnetic waves at non-optical frequencies in accordance with channel control parameters;

a plurality of couplers configured to couple at least a portion of the plurality of first electromagnetic waves to a non-conductive transmission medium, wherein the plurality of couplers generates a plurality of second electromagnetic waves that propagates along the non-conductive transmission medium to communicate the data, wherein the at least one transceiver, when configured by the channel control parameters, mitigates a channel dispersion of the plurality of second electromagnetic waves that propagates longitudinally along the non-conductive transmission medium; and

a training controller configured to generate the channel control parameters based on channel state information received via a plurality of third electromagnetic waves that propagates along the non-conductive transmission medium from at least one other transmission device that is remote from the transmission device, and wherein the at least one other transmission device is further configured to adapt the at least one transceiver based on the channel state information.

2. The transmission device of claim **1** wherein the second plurality of electromagnetic waves includes at least one training field and wherein the at least one other transmission device generates the channel state information based on an analysis of the at least one training field.

3. The transmission device of claim **1** wherein the non-conductive transmission medium includes a dielectric member and wherein the plurality of second electromagnetic waves is bound to the dielectric member.

4. The transmission device of claim **3** wherein a first portion of the plurality of second electromagnetic waves propagates inside the dielectric member and a second portion of the plurality of second electromagnetic waves propagates outside the dielectric member.

5. The transmission device of claim **1** wherein the plurality of second electromagnetic waves propagates along the non-conductive transmission medium without an electric return path.

6. The transmission device of claim **1** wherein the at least one transceiver modulates the data to generate the plurality of first electromagnetic waves in accordance with orthogonal frequency division multiplexing.

7. The transmission device of claim **1** wherein the at least one transceiver operates in a selected one of a plurality of multi-input multi-output (MIMO) modes.

8. A method, comprising:

generating surface wave channel dispersion equalization parameters based on channel state information;

modulating data, by at least one transceiver, to generate a plurality of first electromagnetic waves in accordance with the surface wave channel dispersion equalization parameters in a microwave frequency band; and

coupling, by a plurality of couplers, at least a portion of each of the plurality of first electromagnetic waves onto a dielectric member of a non-conductive transmission medium to generate a plurality of second electromagnetic waves that longitudinally propagate along the dielectric member of the non-conductive transmission

medium to at least one remote transmission device, wherein the at least one remote transmission device is configured to receive the plurality of second electromagnetic waves from the non-conductive transmission medium, and wherein the at least one transceiver, when configured by the surface wave channel dispersion equalization parameters, mitigates a channel dispersion of the plurality of second electromagnetic waves that propagate longitudinally along the dielectric member of the non-conductive transmission medium;

wherein the channel state information is received from the at least one remote transmission device via third electromagnetic waves that propagate longitudinally along the dielectric member of the non-conductive transmission medium from the at least one remote transmission device.

9. The method of claim **8** wherein the plurality of second electromagnetic waves includes at least one sequence of training signals and wherein the at least one remote transmission device updates the channel state information based on an analysis of the at least one sequence of training signals.

10. The method of claim **8** wherein the plurality of second electromagnetic waves is bound to the dielectric member.

11. The method of claim **8** wherein a first portion of the plurality of second electromagnetic waves propagates inside the dielectric member and a second portion of the plurality of second electromagnetic waves propagates outside the dielectric member.

12. The method of claim **8** wherein the surface wave channel dispersion equalization parameters include a plurality of phase offsets and wherein the at least one transceiver generates the plurality of first electromagnetic waves based on the plurality of phase offsets.

13. The method of claim **8** wherein the at least one transceiver operates in a selected one of a plurality of multi-input multi-output (MIMO) modes.

14. The method of claim **8** wherein the at least one transceiver modulates the data to generate the plurality of first electromagnetic waves in accordance with orthogonal frequency division multiplexing.

15. A transmission device comprising:

at least one transceiver that facilitates modulation of data to generate a plurality of first electromagnetic waves in accordance with surface wave channel dispersion equalization parameters;

a plurality of couplers configured to couple at least a portion of the plurality of first electromagnetic waves to an outer surface of a transmission medium of a distributed antenna system that facilitates wireless communications with at least one client device, wherein the plurality of couplers generates a plurality of second electromagnetic waves that propagates along the outer surface of the transmission medium to at least one other transmission device that is remote from the transmission device and wherein the at least one other transmission device is configured to receive the plurality of the second electromagnetic waves from the outer surface of the transmission medium; and

a training controller that facilitates generation of the surface wave channel dispersion equalization parameters based on channel state information received from the at least one other transmission device to mitigate a channel dispersion of the plurality of second electromagnetic waves that propagates longitudinally along the outer surface of the transmission medium.

16. The transmission device of claim 15 wherein the plurality of second electromagnetic waves includes at least one training field and wherein the at least one other transmission device updates the channel state information based on an analysis of the at least one training field.

5

17. The transmission device of claim 15 wherein the transmission medium includes a dielectric member, wherein at least a portion of the outer surface of the transmission medium corresponds to an outer surface of the dielectric member and wherein the plurality of second electromagnetic waves is bound to the outer surface of the dielectric member.

10

18. The transmission device of claim 17 wherein a first portion of the plurality of second electromagnetic waves propagates inside the dielectric member and a second portion of the plurality of second electromagnetic waves propagates outside the dielectric member.

15

19. The transmission device of claim 15 wherein the transmission medium is non-conductive and wherein the plurality of second electromagnetic waves propagates without an electrical return path.

20

20. The transmission device of claim 15 wherein the at least one transceiver operates in a selected one of a plurality of multi-input multi-output (MIMO) modes.

* * * * *