

(19) World Intellectual Property Organization
International Bureau



(43) International Publication Date
21 December 2007 (21.12.2007)

PCT

(10) International Publication Number
WO 2007/147164 A3

(51) International Patent Classification:
A61B 5/1455 (2006.01)

(21) International Application Number:

PCT/US2007/071483

(22) International Filing Date: 18 June 2007 (18.06.2007)

(25) Filing Language: English

(26) Publication Language: English

(30) Priority Data:

60/814,191 16 June 2006 (16.06.2006) US
11/764,123 15 June 2007 (15.06.2007) US

(71) Applicant (for all designated States except US): **C8 MEDISENSORS INC.** [US/US]; 2242 Camden Avenue, Suite 204, San Jose, CA 95124 (US).

(72) Inventors; and

(75) Inventors/Applicants (for US only): **LIPSON, Jan** [US/US]; c/o C8 Medisensors Inc., 2242 Camden Avenue, Suite 204, San Jose, CA 95124 (US). **MCNAMARA, Robert, P.** [US/US]; c/o C8 Medisensors Inc., 2242 Camden Avenue, Suite 204, San Jose, CA 95124 (US). **BERNHARDT, Jeff** [US/US]; c/o C8 Medisensors Inc., 2242 Camden Avenue, Suite 204, San Jose, CA 95124 (US).

(74) Agents: **REASONER, Robin, W.** et al.; Fenwick & West LLP, Silicon Valley Centre, 801 California Street, Mountain View, CA 94041 (US).

(81) Designated States (unless otherwise indicated, for every kind of national protection available): AE, AG, AL, AM, AT, AU, AZ, BA, BB, BG, BH, BR, BW, BY, BZ, CA, CH, CN, CO, CR, CU, CZ, DE, DK, DM, DO, DZ, EC, EE, EG, ES, FI, GB, GD, GE, GH, GM, GT, HN, HR, HU, ID, IL, IN, IS, JP, KE, KG, KM, KN, KP, KR, KZ, LA, LC, LK, LR, LS, LT, LU, LY, MA, MD, ME, MG, MK, MN, MW, MX, MY, MZ, NA, NG, NI, NO, NZ, OM, PG, PH, PL, PT, RO, RS, RU, SC, SD, SE, SG, SK, SL, SM, SV, SY, TJ, TM, TN, TR, TT, TZ, UA, UG, US, UZ, VC, VN, ZA, ZM, ZW.

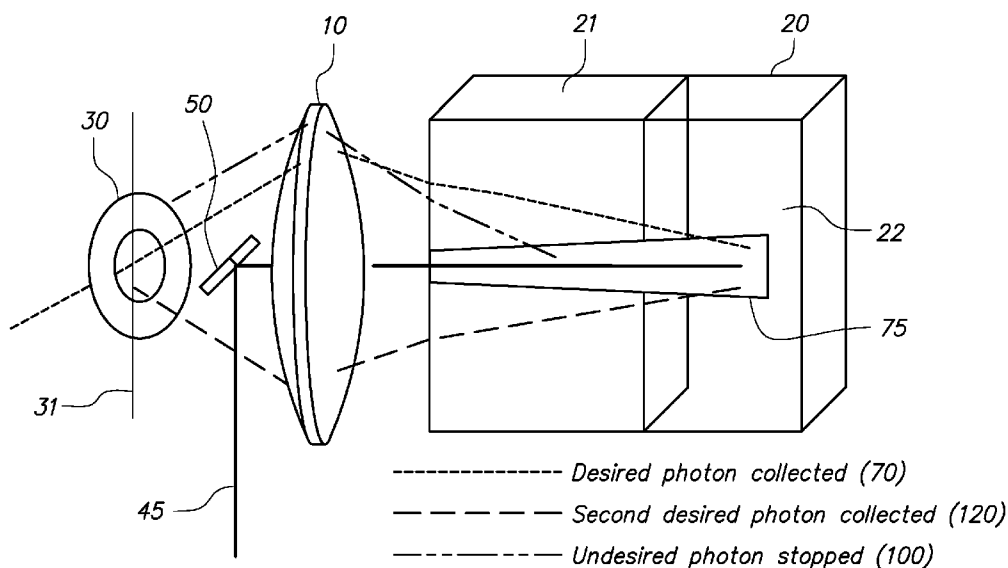
(84) Designated States (unless otherwise indicated, for every kind of regional protection available): ARIPO (BW, GH, GM, KE, LS, MW, MZ, NA, SD, SL, SZ, TZ, UG, ZM, ZW), Eurasian (AM, AZ, BY, KG, KZ, MD, RU, TJ, TM), European (AT, BE, BG, CH, CY, CZ, DE, DK, EE, ES, FI, FR, GB, GR, HU, IE, IS, IT, LT, LU, LV, MC, MT, NL, PL, PT, RO, SE, SI, SK, TR), OAPI (BF, BJ, CF, CG, CI, CM, GA, GN, GQ, GW, ML, MR, NE, SN, TD, TG).

Published:

— with international search report

[Continued on next page]

(54) Title: REDUCTION IN SCATTERING FROM A TURBID MEDIUM BY PHOTO-BLEACHING



(57) Abstract: A method is proposed whereby photo-bleaching is used not only to change the absorption and fluorescence of a sample but is also employed to change its scattering characteristics. When the compounds which are bleached are contained in regions wherein the real part of the index of refraction is greater than or equal to the average index of the medium, the bleaching will result in reduction in the scattering at wavelengths longer than the wavelength of the bleaching source. This reduction can be useful in measuring the concentration of analytes located at significant depths within turbid media.

WO 2007/147164 A3



— *before the expiration of the time limit for amending the claims and to be republished in the event of receipt of amendments*

(88) Date of publication of the international search report:
18 September 2008

INTERNATIONAL SEARCH REPORT

International application No.

PCT/US07/71483

A. CLASSIFICATION OF SUBJECT MATTER
 IPC: A61B 5/1455(2006.01)

USPC: 600/310
 According to International Patent Classification (IPC) or to both national classification and IPC

B. FIELDS SEARCHED

Minimum documentation searched (classification system followed by classification symbols)
 U.S. : 600/310,316,318,322

Documentation searched other than minimum documentation to the extent that such documents are included in the fields searched

Electronic data base consulted during the international search (name of data base and, where practicable, search terms used)

C. DOCUMENTS CONSIDERED TO BE RELEVANT

Category *	Citation of document, with indication, where appropriate, of the relevant passages	Relevant to claim No.
X	US 7,057,721 A (GARDNER, Jr et al) 06 June 2006 (06.06.2006), column 3, lines 9 - 57; column 4, line 53 - column 5, line 11; column 10, line 50 - column 13, line 27.	1-22

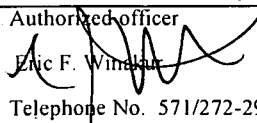
Further documents are listed in the continuation of Box C. See patent family annex.

* Special categories of cited documents:			
"A"	document defining the general state of the art which is not considered to be of particular relevance	"T"	later document published after the international filing date or priority date and not in conflict with the application but cited to understand the principle or theory underlying the invention
"E"	earlier application or patent published on or after the international filing date	"X"	document of particular relevance; the claimed invention cannot be considered novel or cannot be considered to involve an inventive step when the document is taken alone
"L"	document which may throw doubts on priority claim(s) or which is cited to establish the publication date of another citation or other special reason (as specified)	"Y"	document of particular relevance; the claimed invention cannot be considered to involve an inventive step when the document is combined with one or more other such documents, such combination being obvious to a person skilled in the art
"O"	document referring to an oral disclosure, use, exhibition or other means	"&"	document member of the same patent family
"P"	document published prior to the international filing date but later than the priority date claimed		

Date of the actual completion of the international search: 08 June 2008 (08.06.2008)

Date of mailing of the international search report: 11 JUL 2008

Name and mailing address of the ISA/US:
 Mail Stop PCT, Attn: ISA/US
 Commissioner for Patents
 P.O. Box 1450
 Alexandria, Virginia 22313-1450
 Facsimile No. (571) 273-3201

Authorized officer:

 Eric F. Windham
 Telephone No. 571/272-2975