



(12) **EUROPEAN PATENT APPLICATION**

(88) Date of publication A3:
20.11.2002 Bulletin 2002/47

(51) Int Cl.7: **B65H 75/22, B21C 47/28,
B65H 54/58**

(43) Date of publication A2:
31.10.2001 Bulletin 2001/44

(21) Application number: **01104483.1**

(22) Date of filing: **28.02.2001**

(84) Designated Contracting States:
**AT BE CH CY DE DK ES FI FR GB GR IE IT LI LU
MC NL PT SE TR**
Designated Extension States:
AL LT LV MK RO SI

(72) Inventor: **Ruggenti, Leardo**
25010 Visano (Brescia) (IT)

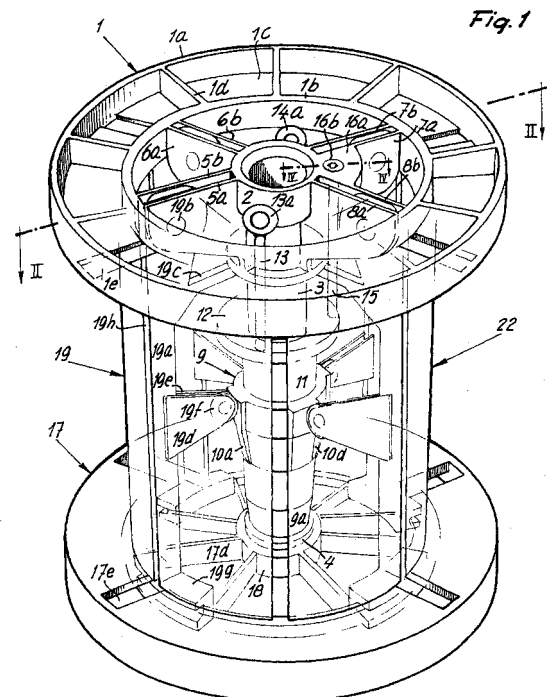
(74) Representative: **Modiano, Guido, Dr.-Ing. et al**
Modiano & Associati SpA
Via Meravigli, 16
20123 Milano (IT)

(30) Priority: **06.03.2000 IT MN000011**

(71) Applicant: **Studio Tecnico Ruggenti P.I. Leardo**
25010 Remedelio (Brescia) (IT)

(54) **Multipart reel for coil of wire**

(57) A multipart reel for a coil of wire, comprising: an upper flange (1) with spokes for connection to a first hub (2) which is connected to the end of a column (3) provided with a second hub (4) at its other end; a slider (9), which can slide on the column (3) and has at least one plurality of inclined planes and means for coupling to lifting means; a lower flange (17), provided with spokes (17d) for connection to a hub (18) which is adapted to mate with the second hub arranged at the end of the column and shaped so as to form engagement means; a plurality of curved panels (19, 22), which are adapted to form a winding surface, are hinged on the spokes of the upper flange (1) and have engagement means at their lower end.





European Patent
Office

EUROPEAN SEARCH REPORT

Application Number
EP 01 10 4483

DOCUMENTS CONSIDERED TO BE RELEVANT			
Category	Citation of document with indication, where appropriate, of relevant passages	Relevant to claim	CLASSIFICATION OF THE APPLICATION (Int.Cl.7)
X	EP 0 439 811 A (IMPIANTI INDUSTRIALI SPA) 7 August 1991 (1991-08-07)	1,3,6,7	B65H75/22 B21C47/28 B65H54/58
A	* the whole document *	4,5	
A	EP 0 187 311 A (JOSEF TIMMER GMBH) 16 July 1986 (1986-07-16) * page 11, line 31 - page 14, line 6 *	1-4,6,7	
A	US 2 529 185 A (H.G. PROCTOR) 7 November 1950 (1950-11-07) * figures *	1,6,7	
A	US 4 307 854 A (K.G. SCHMIDT ET AL.) 29 December 1981 (1981-12-29)		
The present search report has been drawn up for all claims			TECHNICAL FIELDS SEARCHED (Int.Cl.7)
			B65H B21C
Place of search	Date of completion of the search:	Examiner	
THE HAGUE	30 September 2002	D'Hulster, E	
CATEGORY OF CITED DOCUMENTS			
X : particularly relevant if taken alone Y : particularly relevant if combined with another document of the same category A : technological background O : non-written disclosure P : intermediate document		T : theory or principle underlying the invention E : earlier patent document, but published on, or after the filing date D : document cited in the application L : document cited for other reasons & : member of the same patent family, corresponding document	

EPO FORM 1503 03/82 (P04/C01)

**ANNEX TO THE EUROPEAN SEARCH REPORT
ON EUROPEAN PATENT APPLICATION NO.**

EP 01 10 4483

This annex lists the patent family members relating to the patent documents cited in the above-mentioned European search report. The members are as contained in the European Patent Office EDP file on
The European Patent Office is in no way liable for these particulars which are merely given for the purpose of information.

30-09-2002

Patent document cited in search report		Publication date		Patent family member(s)	Publication date
EP 439811	A	07-08-1991	IT	1238984 B	17-09-1993
			AT	124926 T	15-07-1995
			DE	69020881 D1	17-08-1995
			DE	69020881 T2	21-12-1995
			DE	439811 T1	06-02-1992
			EP	0439811 A1	07-08-1991
			ES	2074114 T3	01-09-1995
EP 187311	A	16-07-1986	DE	3445802 A1	19-06-1986
			EP	0187311 A1	16-07-1986
US 2529185	A	07-11-1950	NONE		
US 4307854	A	29-12-1981	DE	2912806 A1	09-10-1980
			AT	2737 T	15-03-1983
			DK	135080 A , B,	01-10-1980
			EP	0017186 A1	15-10-1980
			JP	56052369 A	11-05-1981