

(19) World Intellectual Property Organization
International Bureau



(43) International Publication Date
29 October 2009 (29.10.2009)

(10) International Publication Number
WO 2009/131649 A3

- (51) International Patent Classification:
A63C 7/10 (2006.01) A63C 9/08 (2006.01)
- (21) International Application Number:
PCT/US2009/002436
- (22) International Filing Date:
20 April 2009 (20.04.2009)
- (25) Filing Language: English
- (26) Publication Language: English
- (30) Priority Data:
12/148,696 22 April 2008 (22.04.2008) US
- (71) Applicant and
(72) Inventor: TOLLE, Joel, C. [US/US]; 1393 Kittery Court, Safety Harbor, FL 34695 (US).
- (74) Agent: COLITZ, Michael, J., Jr.; 640 Douglas Avenue, Dunedin, FL 34698 (US).
- (81) Designated States (unless otherwise indicated, for every kind of national protection available): AE, AG, AL, AM,

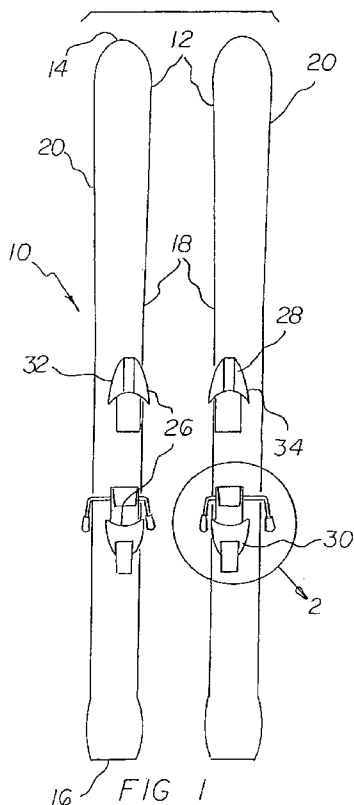
AO, AT, AU, AZ, BA, BB, BG, BH, BR, BW, BY, BZ, CA, CH, CN, CO, CR, CU, CZ, DE, DK, DM, DO, DZ, EC, EE, EG, ES, FI, GB, GD, GE, GH, GM, GT, HN, HR, HU, ID, IL, IN, IS, JP, KE, KG, KM, KN, KP, KR, KZ, LA, LC, LK, LR, LS, LT, LU, LY, MA, MD, ME, MG, MK, MN, MW, MX, MY, MZ, NA, NG, NI, NO, NZ, OM, PG, PH, PL, PT, RO, RS, RU, SC, SD, SE, SG, SK, SL, SM, ST, SV, SY, TJ, TM, TN, TR, TT, TZ, UA, UG, US, UZ, VC, VN, ZA, ZM, ZW.

(84) Designated States (unless otherwise indicated, for every kind of regional protection available): ARIPO (BW, GH, GM, KE, LS, MW, MZ, NA, SD, SL, SZ, TZ, UG, ZM, ZW), Eurasian (AM, AZ, BY, KG, KZ, MD, RU, TJ, TM), European (AT, BE, BG, CH, CY, CZ, DE, DK, EE, ES, FI, FR, GB, GR, HR, HU, IE, IS, IT, LT, LU, LV, MC, MK, MT, NL, NO, PL, PT, RO, SE, SI, SK, TR), OAPI (BF, BJ, CF, CG, CI, CM, GA, GN, GQ, GW, ML, MR, NE, SN, TD, TG).

Declarations under Rule 4.17:
— of inventorship (Rule 4.17(iv))

[Continued on next page]

(54) Title: BINDING/SKI BRAKE SYSTEM



(57) Abstract: A brake assembly (36) is positioned on the upper surface (22) of a ski (12). The brake assembly includes a fixed plate (38) and a movable plate (46). Pairs of forward and rearward fingers (54, 56) couple the plates. The forward fingers have upper ends (58) pivotally coupled to the movable plate. The forward fingers have lower ends (60) with outwardly extending arms pivotable with respect to the fixed plate. The outwardly extending arms include a short arm (62) extending a first distance to an inside edge (18) of a ski. The outwardly extending arms include a long arm (64) extending a second distance greater than the first distance to the outside edge (20) of a ski. The arms terminate with at least one rearwardly extending braking leg (66, 68) adapted to extend rearwardly when the movable plate is in the lowered inoperative position and to extend rearwardly and downwardly when the movable plate is in the raised operative position.



Published:

(88) Date of publication of the international search report:

- *with international search report (Art. 21(3))*
- *before the expiration of the time limit for amending the claims and to be republished in the event of receipt of amendments (Rule 48.2(h))*

18 February 2010

A. CLASSIFICATION OF SUBJECT MATTER*A63C 7/10(2006.01)i, A63C 9/08(2006.01)i*

According to International Patent Classification (IPC) or to both national classification and IPC

B. FIELDS SEARCHED

Minimum documentation searched (classification system followed by classification symbols)

IPC A63C

Documentation searched other than minimum documentation to the extent that such documents are included in the fields searched

Electronic data base consulted during the international search (name of data base and, where practicable, search terms used)

e-KOMPASS (KIPO internal) & keywords: "ski", "binding", "brake"

C. DOCUMENTS CONSIDERED TO BE RELEVANT

Category*	Citation of document, with indication, where appropriate, of the relevant passages	Relevant to claim No.
A	US 4,272,099 A (TMC CORPORATION) 09 JUN 1981 See the abstract, Fig. 1-2	1-6
A	US 4,676,520 A (SALOMON S.A.) 30 JUN 1987 See the abstract, Fig. 1-3	1-6
A	US 4,239,256 A (TMC CORPORATION) 16 DEC 1980 See the abstract, Fig. 1,3	1-6

 Further documents are listed in the continuation of Box C. See patent family annex.

* Special categories of cited documents:

"A" document defining the general state of the art which is not considered to be of particular relevance

"E" earlier application or patent but published on or after the international filing date

"L" document which may throw doubts on priority claim(s) or which is cited to establish the publication date of citation or other special reason (as specified)

"O" document referring to an oral disclosure, use, exhibition or other means

"P" document published prior to the international filing date but later than the priority date claimed

"T" later document published after the international filing date or priority date and not in conflict with the application but cited to understand the principle or theory underlying the invention

"X" document of particular relevance; the claimed invention cannot be considered novel or cannot be considered to involve an inventive step when the document is taken alone

"Y" document of particular relevance; the claimed invention cannot be considered to involve an inventive step when the document is combined with one or more other such documents, such combination being obvious to a person skilled in the art

"&" document member of the same patent family

Date of the actual completion of the international search

15 DECEMBER 2009 (15.12.2009)

Date of mailing of the international search report

18 DECEMBER 2009 (18.12.2009)

Name and mailing address of the ISA/KR

Korean Intellectual Property Office
Government Complex-Daejeon, 139 Seonsa-ro, Seo-
gu, Daejeon 302-701, Republic of Korea

Facsimile No. 82-42-472-7140

Authorized officer

HONG, Geun Jo

Telephone No. 82-42-481-8279



INTERNATIONAL SEARCH REPORT

Information on patent family members

International application No.

PCT/US2009/002436

Patent document cited in search report	Publication date	Patent family member(s)	Publication date
US 04272099 A	09.06.1981	US 04294459 A	13.10.1981
US 04676520 A	30.06.1987	US 04729577 A	08.03.1988
US 04239256 A	16.12.1980	JP 1024211 C	28.11.1980
		JP 53-038434 A	08.04.1978
		JP 55-013743 B	11.04.1980