



(12) **United States Patent**  
**Zhang et al.**

(10) **Patent No.:** **US 11,758,240 B2**  
(45) **Date of Patent:** **Sep. 12, 2023**

(54) **INTEGRATED VIDEO AND DATA SYSTEM**

*12/66* (2013.01); *H04N 21/64738* (2013.01);  
*H04N 21/64761* (2013.01)

(71) Applicant: **AVAGO TECHNOLOGIES INTERNATIONAL SALES PTE. LIMITED**, Singapore (SG)

(58) **Field of Classification Search**  
CPC ..... H04N 21/64707; H04N 21/64761; H04N 21/64738; H04L 12/4633  
See application file for complete search history.

(72) Inventors: **Weimin Zhang**, San Jose, CA (US); **Yong Li**, San Diego, CA (US); **Xuemin Chen**, Rancho Santa Fe, CA (US); **Charlie Lei Lou**, Poway, CA (US)

(56) **References Cited**

U.S. PATENT DOCUMENTS

(73) Assignee: **AVAGO TECHNOLOGIES INTERNATIONAL SALES PTE. LIMITED**, Singapore (SG)

5,200,978 A 4/1993 Lo et al.  
2001/0030785 A1 10/2001 Pangrac et al.  
2002/0126685 A1 9/2002 Leatherbury et al.  
2006/0168612 A1 7/2006 Chapman et al.  
2006/0203844 A1\* 9/2006 Knittie ..... H04B 10/272 370/466

(\* ) Notice: Subject to any disclaimer, the term of this patent is extended or adjusted under 35 U.S.C. 154(b) by 251 days.

(Continued)

FOREIGN PATENT DOCUMENTS

(21) Appl. No.: **16/557,496**

CN 1171178 1/1998  
CN 104041014 9/2014

(22) Filed: **Aug. 30, 2019**

(Continued)

(65) **Prior Publication Data**

US 2020/0092615 A1 Mar. 19, 2020

*Primary Examiner* — Jefferey F Harold  
*Assistant Examiner* — Franklin S Andramuno

**Related U.S. Application Data**

(60) Provisional application No. 62/731,046, filed on Sep. 13, 2018.

(57) **ABSTRACT**

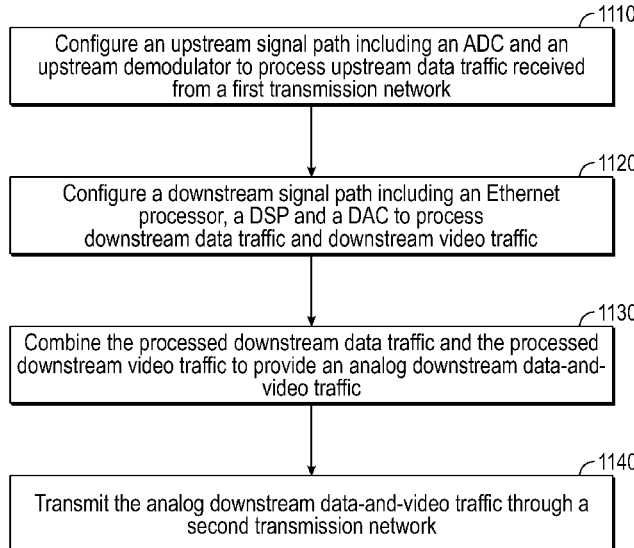
(51) **Int. Cl.**  
*H04N 21/647* (2011.01)  
*H04L 12/46* (2006.01)  
*H04L 12/28* (2006.01)  
*H04L 12/66* (2006.01)

A system for integrating video content and data provision includes an upstream signal path to process upstream data traffic received from a first transmission network for transmission to a second transmission network, and a downstream signal path to process downstream data traffic and downstream video traffic for transmission from the second transmission network to the first transmission network. The upstream signal path includes an analog-to-digital converter (ADC) and an upstream demodulator, and the downstream signal path includes an Ethernet processor, a digital-signal-processor (DSP) and a digital-to-analog converter (DAC).

(52) **U.S. Cl.**  
CPC ... *H04N 21/64707* (2013.01); *H04L 12/2801* (2013.01); *H04L 12/4633* (2013.01); *H04L*

**13 Claims, 8 Drawing Sheets**

1100 ↗



(56)

**References Cited**

U.S. PATENT DOCUMENTS

2009/0168713 A1\* 7/2009 Shao ..... H04W 16/14  
370/329  
2010/0158480 A1\* 6/2010 Jung ..... H04N 5/913  
386/252  
2011/0138434 A1\* 6/2011 Ulm ..... H04N 21/6377  
725/114  
2013/0007285 A1\* 1/2013 Li ..... H04L 65/1066  
709/227  
2017/0359600 A1 12/2017 Rea Zanabria et al.  
2017/0359602 A1\* 12/2017 Rea Zanabria .. H04B 10/25751  
2018/0076771 A1\* 3/2018 Gomez ..... H03F 3/45183  
2019/0082204 A1\* 3/2019 Surcouf ..... H04N 21/23611  
2021/0135707 A1\* 5/2021 Tsiouflakis ..... H04B 3/487

FOREIGN PATENT DOCUMENTS

CN 10475423 7/2015  
WO WO 2018/114737 6/2018

\* cited by examiner

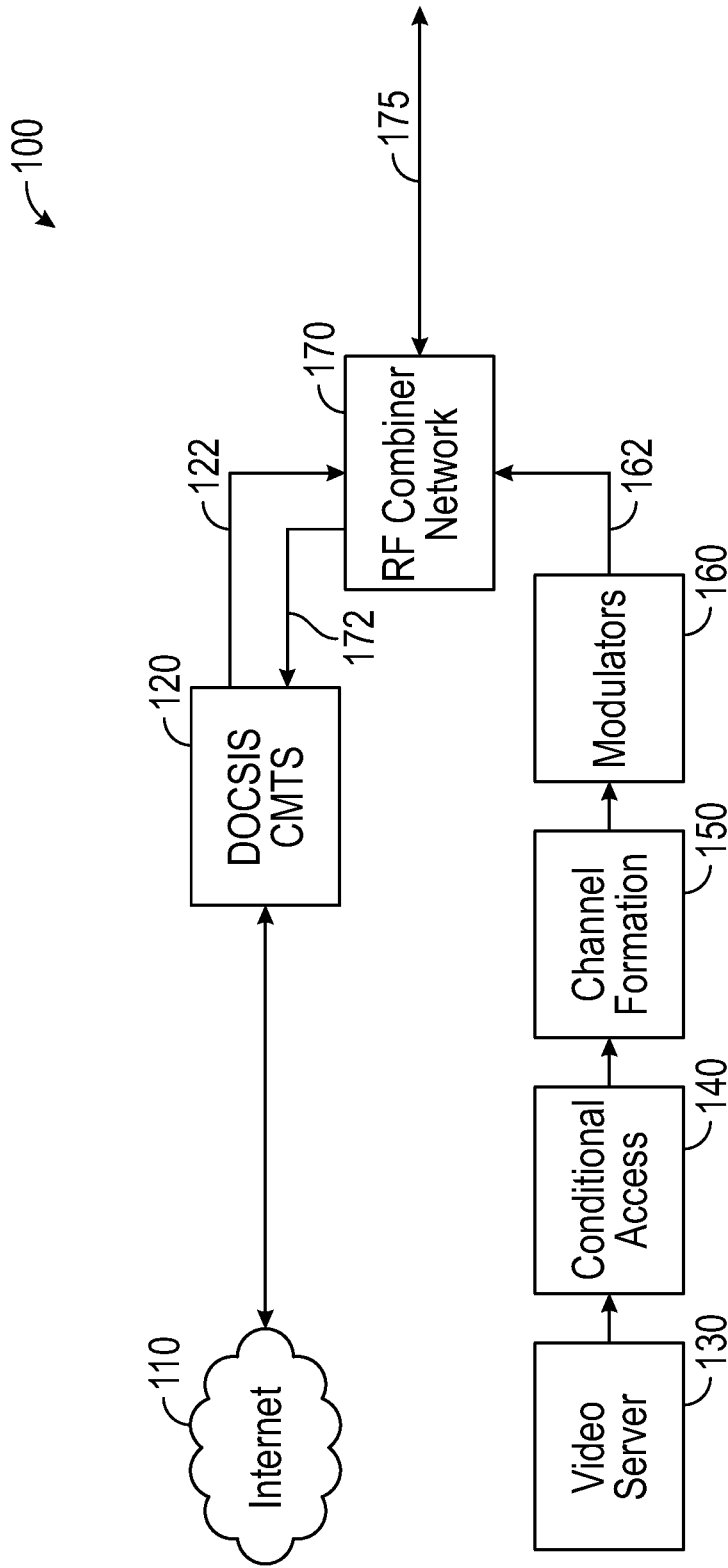


FIG. 1

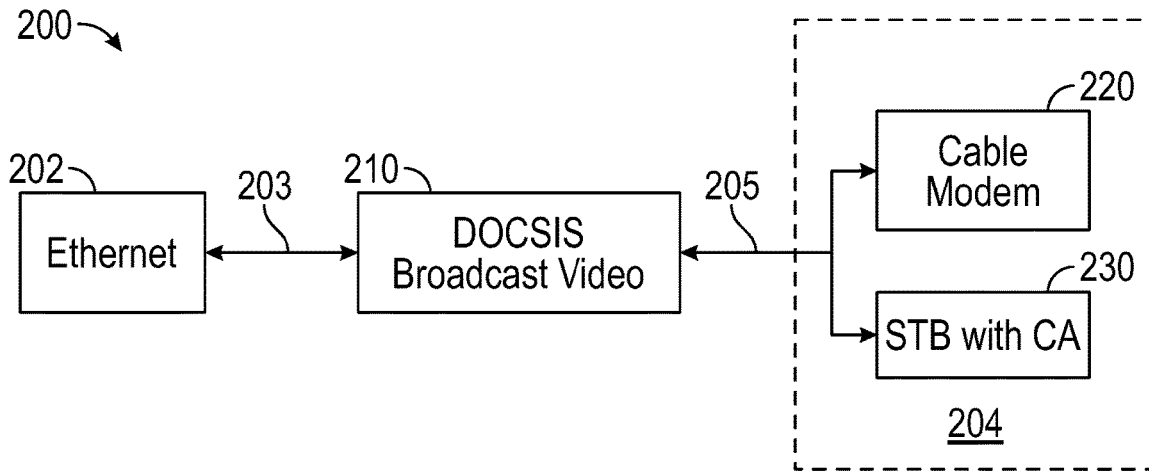


FIG. 2A

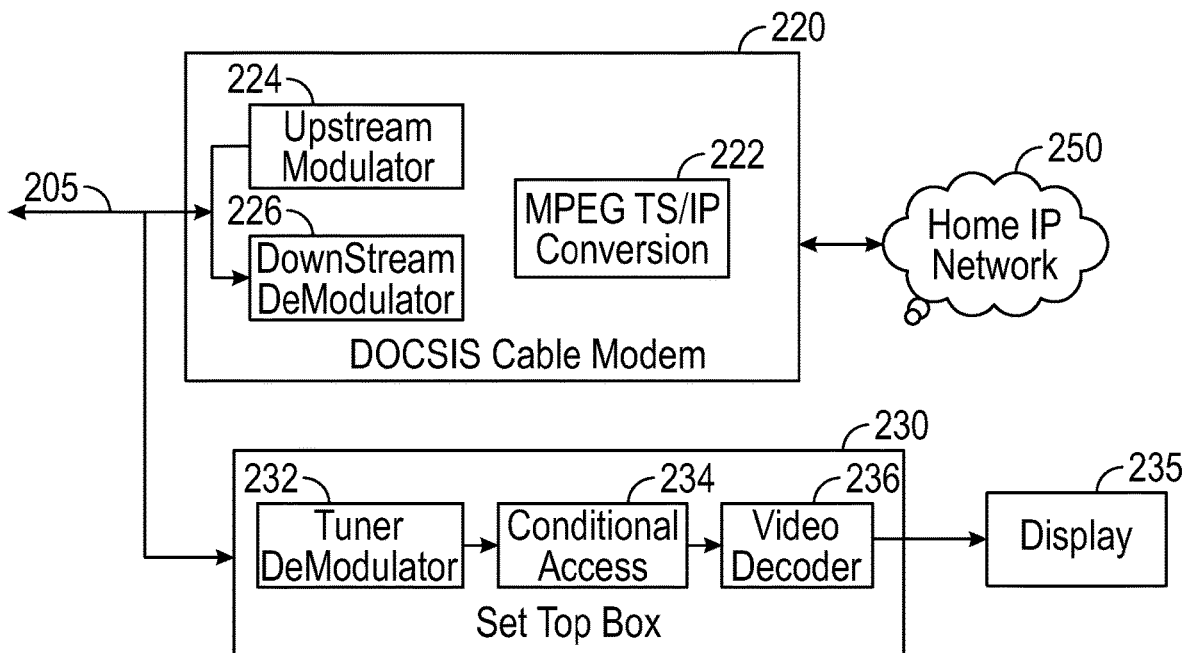


FIG. 2B

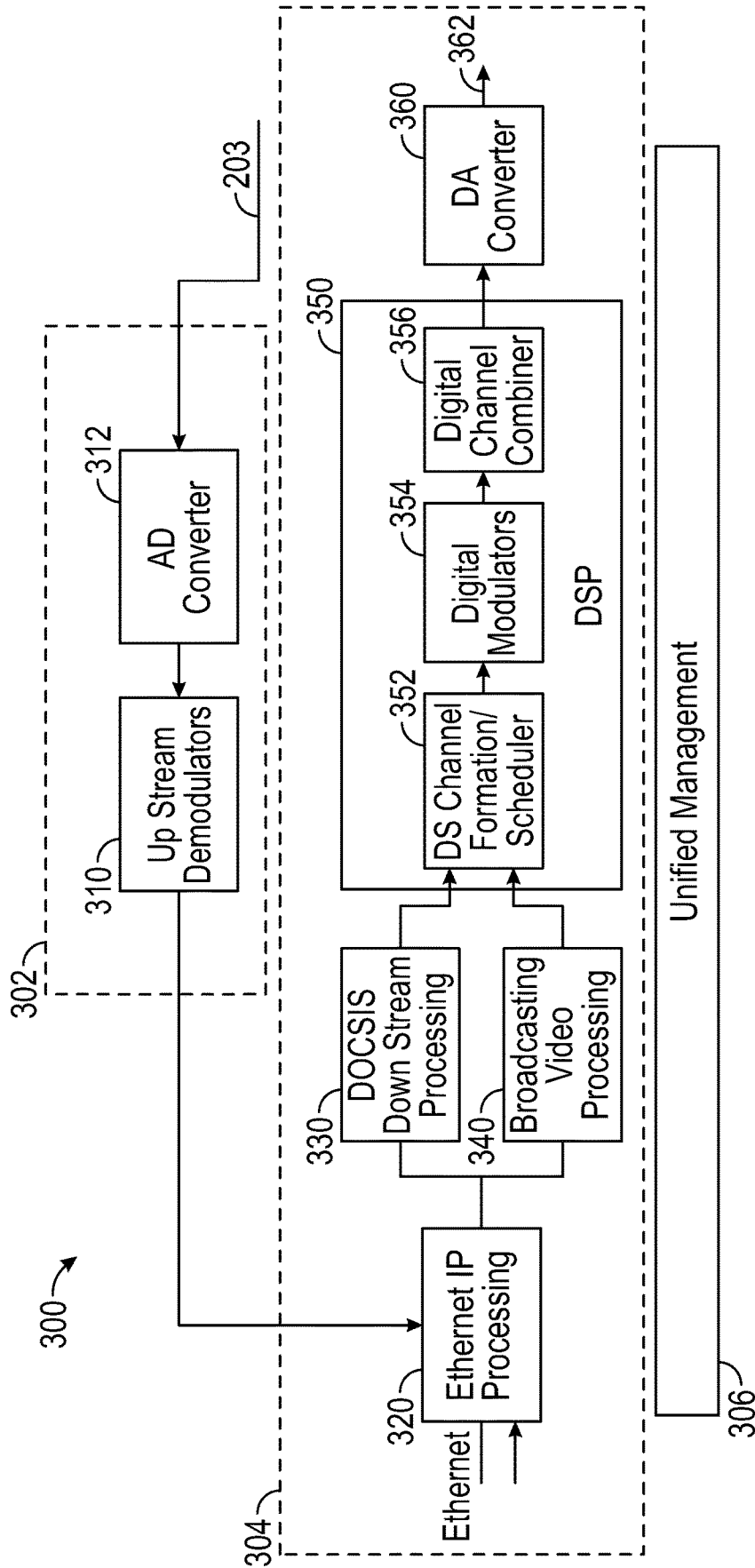


FIG. 3

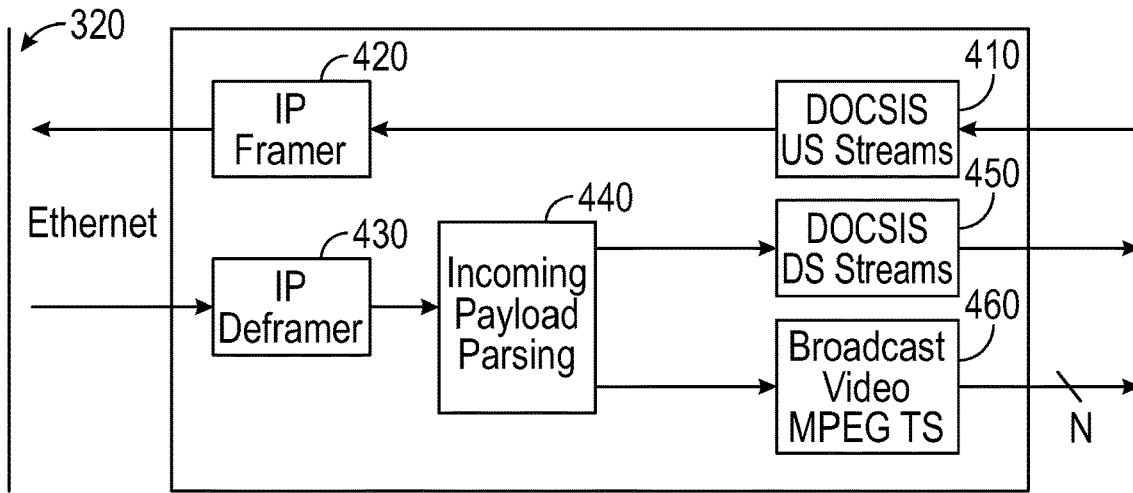


FIG. 4

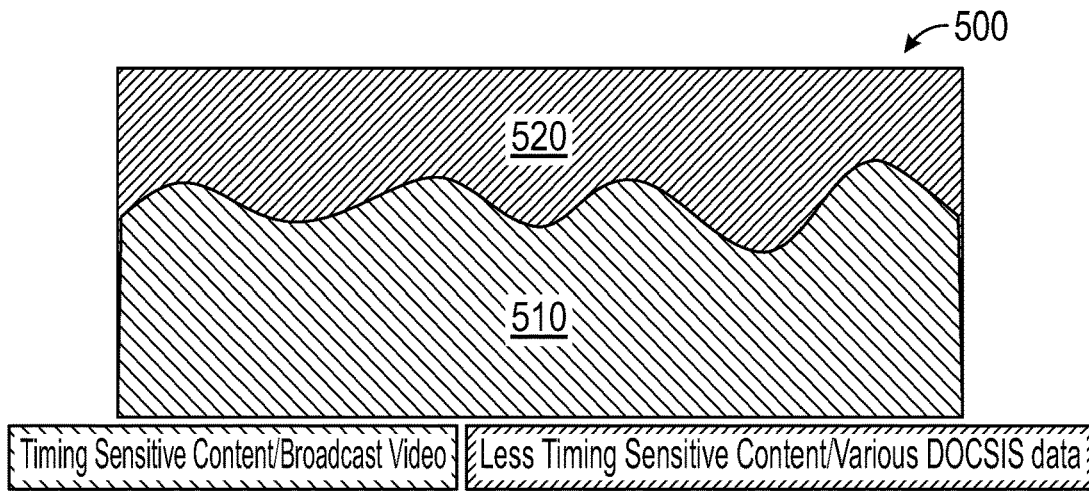


FIG. 5

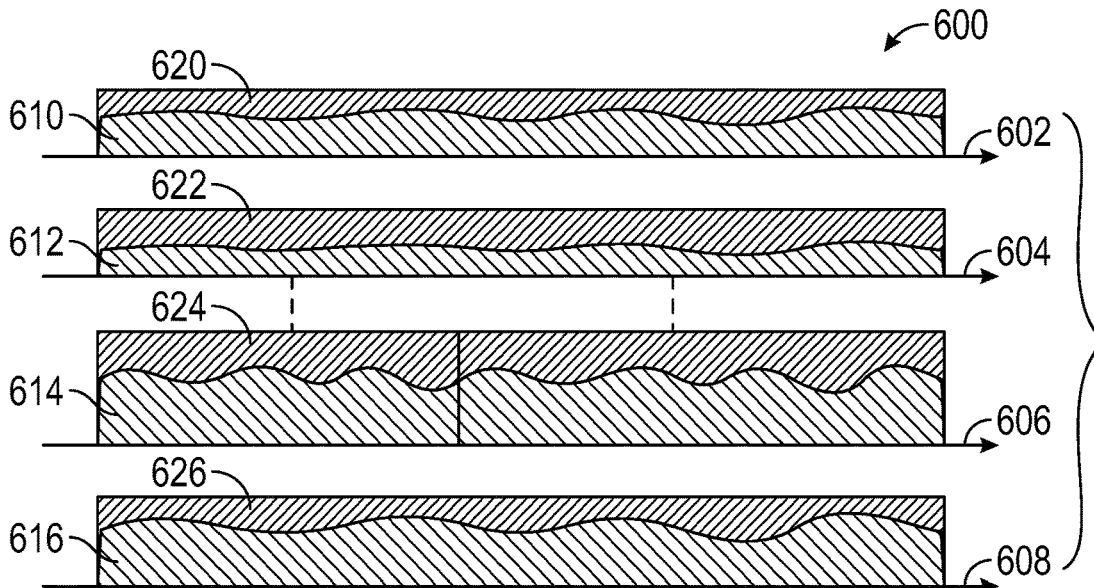


FIG. 6

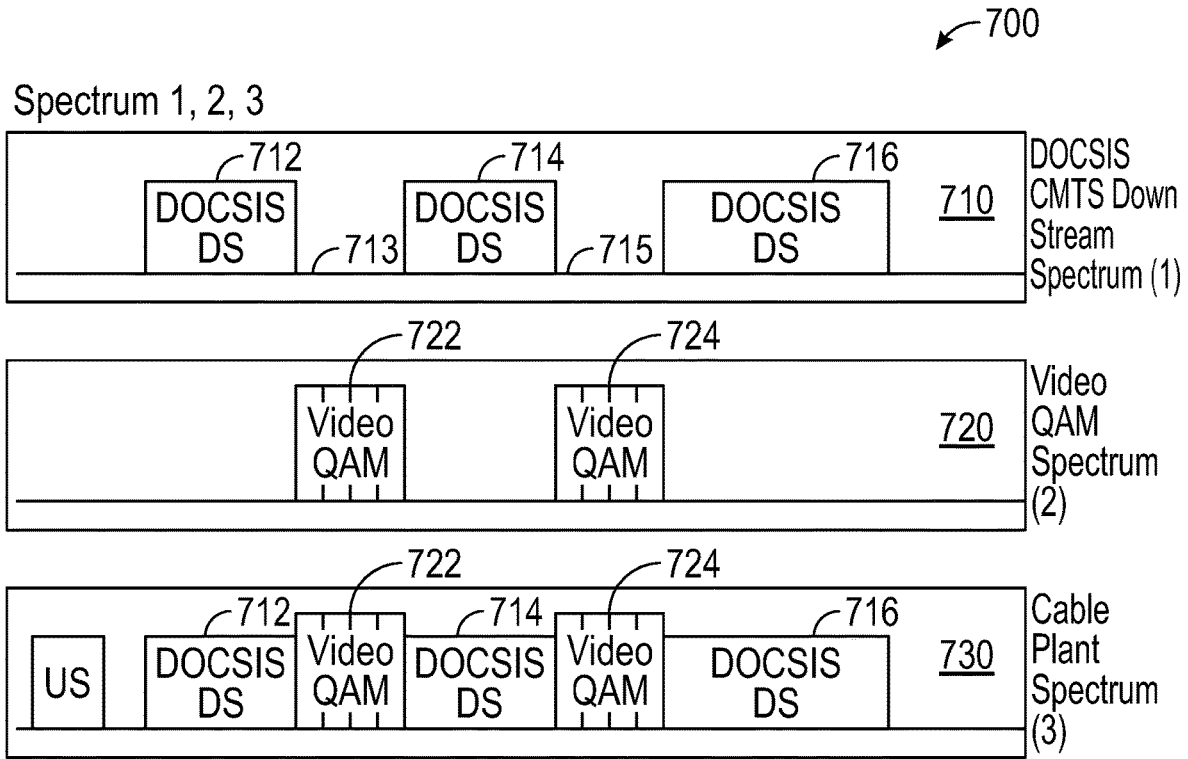


FIG. 7

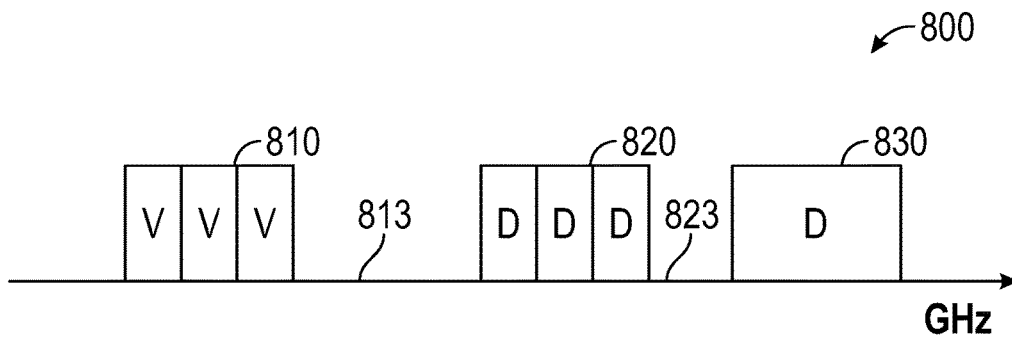


FIG. 8

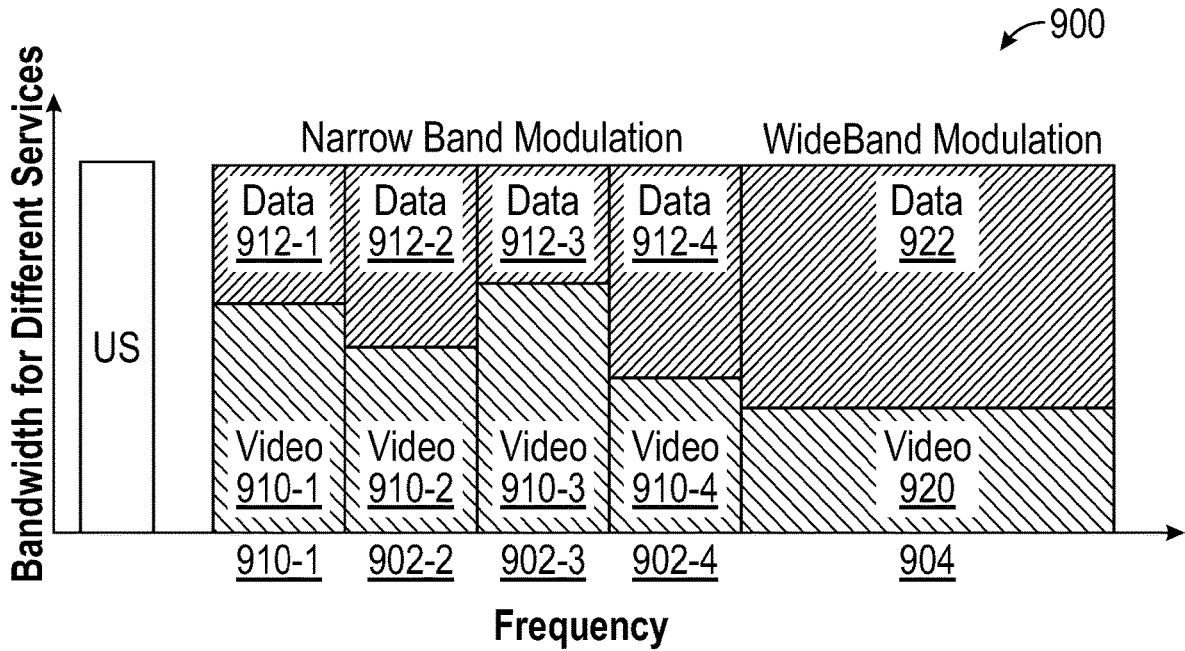


FIG. 9

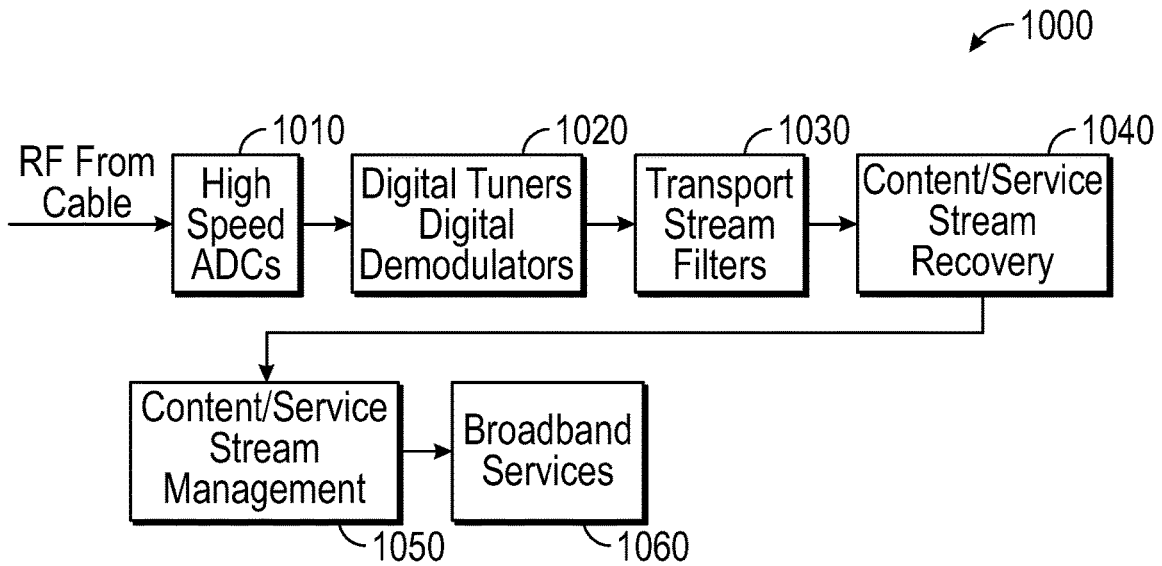


FIG. 10



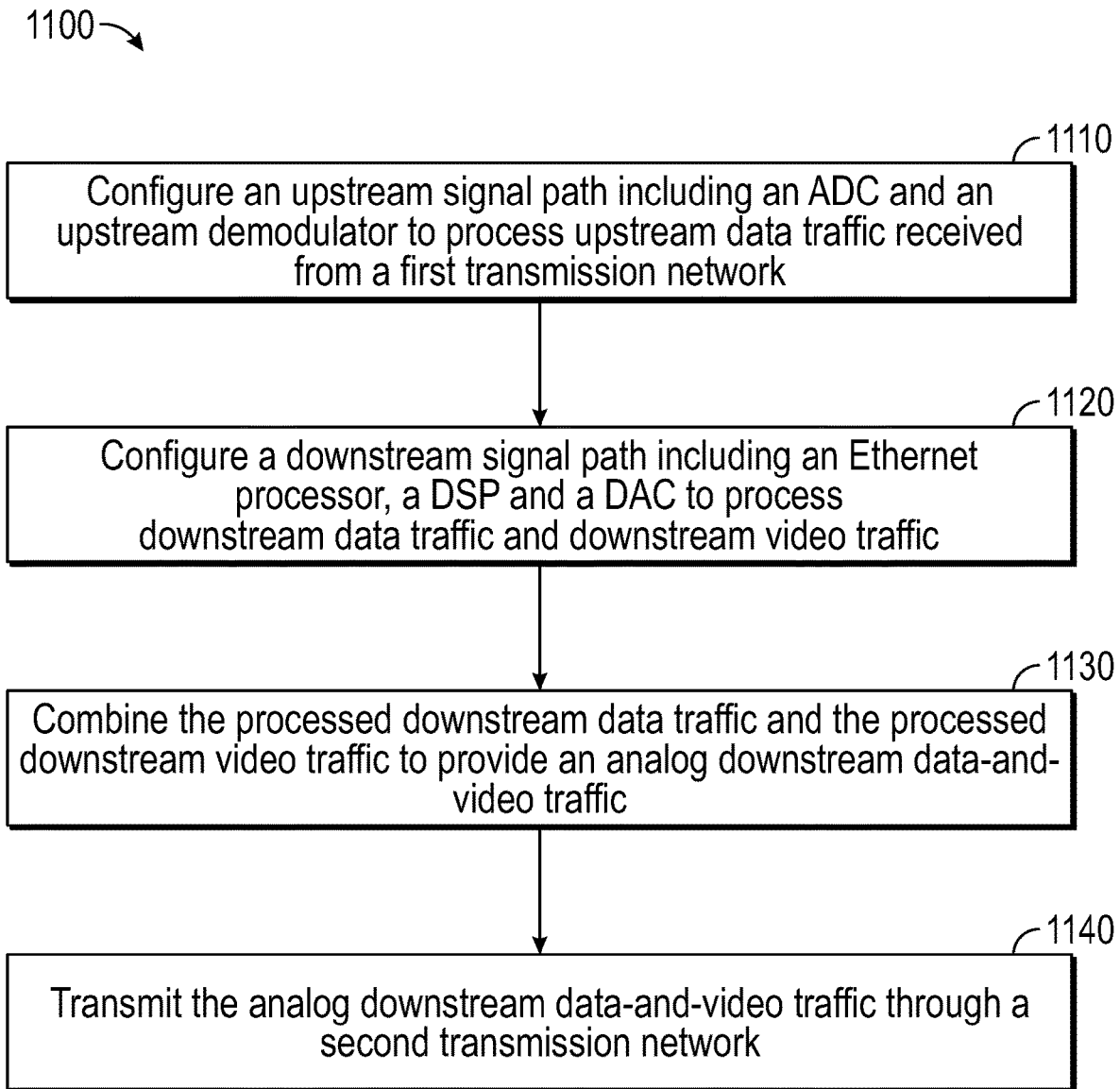


FIG. 11

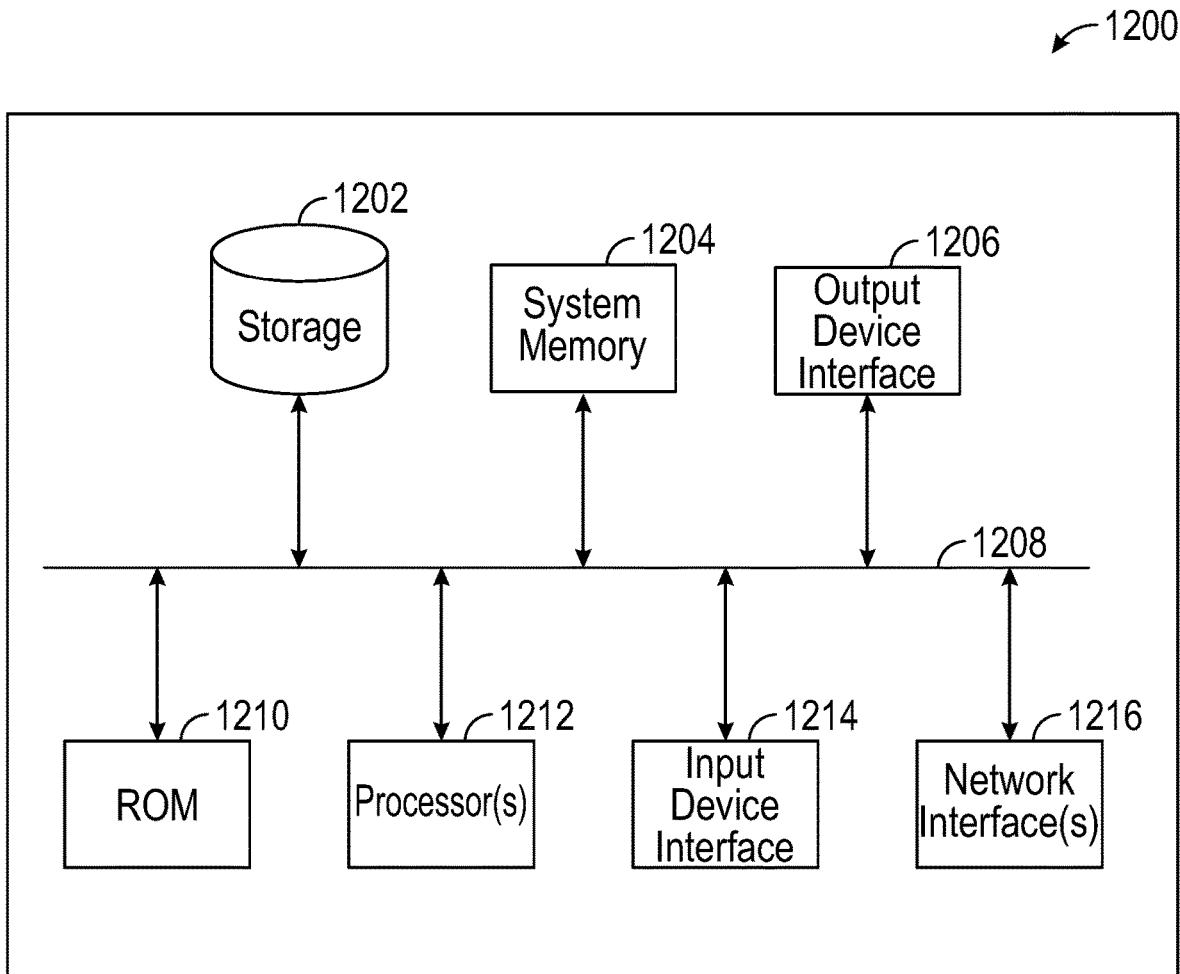


FIG. 12

## INTEGRATED VIDEO AND DATA SYSTEM

## CROSS-REFERENCE TO RELATED APPLICATIONS

This application claims the benefit of priority under 35 U.S.C. § 119 from U.S. Provisional Patent Application 62/731,046 filed Sep. 13, 2018, which is incorporated herein by reference in its entirety.

## TECHNICAL FIELD

The present description relates in general to content distribution systems, and more particularly to, for example, without limitation, integrated video and data systems.

## BACKGROUND

As population densities increase in urban areas, broadband service providers are moving fiber-optic network endpoints closer to buildings (or areas) that are associated with high population densities, such as into the basements of multi-dwelling units. For example, a broadband service provider may place fiber-optic network endpoints, such as optical network terminals (ONTs), in the basements of large high-rise apartment buildings that include several apartments. The broadband service provider's headend may include an optical line terminal (OLT) that is communicatively coupled to the ONTs, for example, via fiber optic cables. The ONTs may be individually coupled, via a nonoptical network medium, such as a coaxial transmission line, to gateway devices that are located in, and provide broadband service (e.g. television, telephone, and/or Internet) to, user devices in the individual dwelling units. The user devices may include, for instance, set-top boxes, mobile phones, tablet devices or other communication devices. Thus, the ONTs may each include, and/or may be coupled to, a media converter that transforms optical signals received over the fiber-optic network from the OLT of the headend to electric signals that can be transmitted over the nonoptical network medium (such as coax cable) to the gateways in the individual dwelling units, and vice versa.

## BRIEF DESCRIPTION OF THE DRAWINGS

Certain features of the subject technology are set forth in the appended claims. However, for purposes of explanation, several embodiments of the subject technology are set forth in the following figures.

FIG. 1 illustrates an example environment in which a content distribution system may be implemented.

FIG. 2A is a high-level block diagram of an example of an integrated video and data system, in accordance with one or more implementations of the subject technology.

FIG. 2B is a block diagram of example implementations of the modem and the set-top box of FIG. 2A, in accordance with one or more implementations of the subject technology.

FIG. 3 is a schematic diagram illustrating an example of an integrated content distribution system, in accordance with one or more implementations of the subject technology.

FIG. 4 is a schematic diagram illustrating an example of an Ethernet internet protocol processing system, in accordance with one or more implementations of the subject technology.

FIG. 5 is a schematic diagram illustrating an example of an integrated video and data channel content, in accordance with one or more implementations of the subject technology.

FIG. 6 is a schematic diagram illustrating an example of a video auxiliary channel, in accordance with one or more implementations of the subject technology.

FIG. 7 is a schematic diagram illustrating examples of data, video content and cable plant spectra, in accordance with one or more implementations of the subject technology.

FIG. 8 is a schematic diagram illustrating an example of data and video content spectra.

FIG. 9 is a schematic diagram illustrating an example of a broadcast video content and data service content frequency spectrum, in accordance with one or more implementations of the subject technology.

FIG. 10 is a schematic diagram illustrating an example implementation of a user device, in accordance with one or more implementations of the subject technology.

FIG. 11 is a flow diagram of an example of a method of integrating video content and data, in accordance with one or more implementations of the subject technology.

FIG. 12 conceptually illustrates an electronic system with which any implementations of the subject technology can be implemented.

## DETAILED DESCRIPTION

The detailed description set forth below is intended as a description of various configurations of the subject technology and is not intended to represent the only configurations in which the subject technology may be practiced. The appended drawings are incorporated herein and constitute part of the detailed description, which includes specific details for providing a thorough understanding of the subject technology. However, the subject technology is not limited to the specific details set forth herein and may be practiced without one or more of the specific details. In some instances, structures and components are shown in a block-diagram form in order to avoid obscuring the concepts of the subject technology.

The subject technology is directed to an integrated video and data system. The disclosed integrated video and data system addresses both two-way data service and broadcast video services. The subject technology introduces a device concept for delivering high-quality broadcast programs such as 4k and 8k content through broadcast video channels. In the disclosed approach, an integrated device is employed as a headend server for both data service and broadcast controlled and managed under a unified management system.

FIG. 1 illustrates an example environment 100 in which a content distribution system may be implemented. The environment 100 includes a network 110 such as the Internet, a data-over-cable system interface specification (DOCSIS) cable-modem transmission system (CMTS) 120, a video server 130, a conditional access module 140, a channel formation module 150, a modulator 160 and a radio-frequency (RF) combiner network 170. DOCSIS is a two-way data communication protocol that offers the possibility of a variety of services. Due to the DOCSIS two-way nature and capability of real time interaction, many data services provided through DOCSIS data network have fewer timing issues as compared with video broadcast services. The DOCSIS CMTS 120 (hereinafter "CMTS 120") operates as a two-way DOCSIS headend equipment that provides two-way data services for data applications, such as internet browsers and web conferencing of end-user devices. The CMTS 120 provides a spectrum with a number of channels, as explained later.

The video server 130 is a video broadcast system that is traditionally a one-way distribution network for broadcast-

ing video and/or audio programs. In some implementations, the video server **130** may utilize narrowband or wide-band communication system as return channel to obtain end-user information to further optimize the network utilization. Each video and/or audio program consists of one of multiple moving-picture experts group (MPEG) transport streams. The MPEG content can be protected through various conditional access systems with timing sensitive encryption mechanisms. Timing synchronization is critical between MPEG transport streams for programs and timing sensitive encryption information corresponding to the programs. A number of MPEG transport streams are combined to form a channel. Each channel can occupy a 6-8 MHz frequency band on the cable plant to deliver a raw data rate of 28 to 50 Mbps. Each broadcast program (video or audio) is limited to one of the channels, and each channel may contain more than one broadcast program. The bit rate required for each broadcast video program tends to vary drastically due to compression and video quality; hence, some null packets are added to keep a constant bit rate per channel, and those null packets are considered as wasted bandwidth. The raw data of each channel is then converted to one RF band through various digital and analog circuitries. The broadcast video quality is sometimes limited by the total bandwidth available within each individual channel, especially for high-quality videos such as live sports in the 8K format.

The conditional access module **140** may include logic, processing circuitry, firmware and/or software for protecting content, for example, by using timing-sensitive encryption mechanisms. Timing synchronization is critical between MPEG streams of a program and timing-sensitive encryption information for that program. The channel formation module **150** may include logic, processing circuitry, firmware and/or software for converting raw data of each channel to one RF band. The channel formation module **150** may dynamically assign content to a particular channel based on information from an end-user request feed through a phone or other communication devices. The modulator **160** may include logic, processing circuitry, firmware and/or software for modulating baseband signals on to carrier signals using amplitude, frequency or phase modulation to generate a broadcast RF signal **162**. The RF combiner network **170** may include logic, processing circuitry, firmware and/or software for combining the RF data signal **122** provided by the CMTS **120** and the broadcast RF signal **162** to provide a downstream data and video content which is part of a stream **175**. The stream **175** further includes upstream data uploaded by end-user devices (e.g., set-top-boxes (STBs), computers, tablets, or other hand-held communication devices), and is delivered, as the upstream data **172**, to the CMTS **120**. Return channel may carry end-user broadcast video service information back to server to perform network optimization or service configuration.

FIG. 2A is a high-level block diagram of an example of an integrated video and data system **200**, in accordance with one or more implementations of the subject technology. The integrated video and data system **200** includes a DOCSIS and broadcast-video block **210** that is coupled, via a first transmission medium **203**, to a first transmission network **202**, including, but not limited to, an Ethernet network. The DOCSIS and broadcast-video block **210** is also coupled, via a second transmission medium **205** to a second transmission network **204** including modems (e.g., cable modems) **220** and STBs such as STBs with conditional access (CA) **230**. The first transmission medium **203** and the second transmission medium **205** include coaxial cables (also referred to as a "cable plant") and/or fiber optics. The DOCSIS and

broadcast-video block **210** includes an upstream signal path to process upstream data traffic received by the first transmission network **202** for transmission to the second transmission network **204**, and a downstream signal path that processes downstream data traffic and downstream video traffic for transmission to the second transmission network **204**, as will be discussed in more detail herein.

FIG. 2B is a block diagram of example implementations of the modem **220** and the STB **230** of FIG. 2A, in accordance with one or more implementations of the subject technology. The modem **220** can be a cable modem or an optical-network terminal (ONT) and is coupled to a network **250**, such as a home IP network or other IP networks (e.g., Wi-Fi). The modem **220** includes an MPEG transport stream (TS) and/or IP conversion module **222**, an upstream modulator **224** and a downstream demodulator **226**, which are known modules and may include logic, processing circuitry, firmware and/or software for tuning upstream data received from the end-user devices such as consumer-premise equipment (CPE) connected to the network **250** device to DOCSIS bandwidth, and for transmitting downstream data, through the network **250**, to end-user devices.

A number of cable modems, such as the modem **220**, and CPEs, such as the STB **230**, are connected via a cable plant **205** to the DOCSIS and broadcast-video block **210**. For broadcast video, the STB **230** is generally utilized to receive the content and display it on a display device **235** such as a television (TV). The STB **230** includes, but is not limited to, a tuner/demodulator **232**, a conditional access engine **234** and a video decoder **236**. The tuner/demodulator **232** can select one RF channel from the cable plant **205**, and convert the download stream (RF signal) to digital content (bits). The conditional access engine **234** can descramble/decrypt the digital content for an authorized end-user (e.g., a CPE). The video decoder **236** can decode the compressed video contents and send to the display device **235** (e.g., a TV).

FIG. 3 is a schematic diagram illustrating an example of an integrated content distribution system **300**, in accordance with one or more implementations of the subject technology. The integrated content distribution system **300** (hereinafter "distribution system **300**") is an integrated device (e.g., chip such as a semiconductor chip) and can be employed as a headend server for both data service and video broadcast, under control of a unified management unit **306**. The distribution system **300** is connected to a backbone server (not shown for simplicity) through one of multiple Ethernet connections via an Ethernet IP processor **320**. The distribution system **300** includes an upstream signal path **302** and a downstream signal path **304** that are coupled to the Ethernet IP processor **320**. The upstream signal path **302** includes, but is not limited to, an analog-to-digital converter (ADC) **312** (e.g., a high-speed ADC), an upstream demodulator **310** and other RF circuitry (not shown for simplicity). The ADC **312** receives upstream analog data from the cable plant **205** of FIG. 2A and converts the analog upstream data to upstream digital data for further processing by the upstream demodulator **310**, which can demodulate the upstream digital data to DOCSIS upstream data.

The downstream signal path **304** includes the Ethernet IP processor **320**, a DOCSIS downstream processor **330**, a broadcast video processor **340**, a digital-signal-processor (DSP) **350** and a digital-to-analog converter (DAC) **360**. The DOCSIS downstream processor **330** may include logic, processing circuitry, firmware and/or software for processing to comply with the DOCSIS protocol. For example, the DOCSIS downstream processor **330** performs an important function of separating various DOCSIS traffic into tiers

based on timing requirement sensitivities. The DOCSIS downstream processor **330** also performs functionalities such as bandwidth control, de-jittering and other traditional DOCSIS functionalities.

The broadcast video processor **340** is employed to perform traditional MPEG TS processing requirements for each of the program streams provided by one or more video servers (e.g., **130** of FIG. 1). For example, the broadcast video processor **340** can split high-bandwidth streams into multiple sub-TS streams, where the peak rate of each sub-TS stream is smaller than the maximum bandwidth of original RF channel limitations. The broadcast video processor **340** can further remove network jitter, perform program clock reference (PCR) corrections and conditional access and other functionalities.

The DSP **350** includes a downstream channel formation and/or scheduler **352**, a digital modulator **354** and a digital channel combiner **356**. The downstream channel formation and/or scheduler **352** may include logic, processing circuitry, firmware and/or software for scheduling and positioning the packets from each individual video or DOCSIS stream in the entire available band. The scheme of arranging scheduled content in the available bandwidth is based on timing sensitivity, delay and jitter requirements, as well as other overall quality-of-service (QoS) attributes of the video and DOCSIS content. The QoS information of the content can be provided by the DOCSIS downstream processor **330** and the broadcast video processor **340**. For example, broadcast video can be positioned into each channel's bandwidth with priority and mixed with some of the DOCSIS traffic, which is less time sensitive and may be used to fill the remaining available bandwidth. With this approach, traditional channel concepts still exist, and high-bandwidth broadcast content and DOCSIS content could spread over a few or the entire traditional channels. Channel concepts only exist for legacy devices. An important advantage of this approach is that the entire residual bandwidth (originally filled with null packets) would be utilized for some of the DOCSIS services. On the receiver side, a client device (e.g. cable modem or set-top box) is used to demodulate and separate the mixed video and DOCSIS packets in the downstream channels into their corresponding packet streams. In particular, a client device with full-bandwidth capability (e.g. with full-band capture tuner and demodulators) can be used to receive any video and DOCSIS content in any downstream channels.

The digital modulator **354** is a known block and may include logic, processing circuitry, firmware and/or software for modulating signals received from the downstream channel formation and/or scheduler **352**. The modulated signals include DOCSIS CMTS output and at least one broadcast video RF output that are mixed by the digital channel combiner **356** to generate a digital RF downstream. The digital RF downstream is converted to an analog RF downstream via the DAC **360**.

The unified management unit **306** may include logic, processing circuitry, firmware and/or software for controlling and managing operations of various modules and components of the upstream signal path **302** and downstream signal path **304**.

FIG. 4 is a schematic diagram illustrating an example of the Ethernet IP processor **320** of FIG. 3, in accordance with one or more implementations of the subject technology. The Ethernet IP processor **320** is connected to backbone server through one of multiple Ethernet connections and includes an upstream path, consisting of DOCSIS upstream receiver **410** and an IP framer **420**, and a downstream path, including

an IP deframer **430**, a payload parser **440**, a DOCSIS downstream interface **450** and a broadcast video (e.g., MPEG TS) module **460**. The IP deframer **430**, payload parser **440**, DOCSIS downstream interface **450** and broadcast video module **460** each may include logic, processing circuitry, firmware and/or software. The DOCSIS upstream receiver **410** interfaces with the upstream demodulator **310** of FIG. 3 to receive DOCSIS upstream data and provide it to the IP framer **420**. The IP framer **420** packages DOCSIS upstream data into IP frames, and sends to a backbone server via an Ethernet connection. The IP de-framer **430** strips off IP header from the IP frames received from the backbone server. The payload parser **440** can separate DOCSIS downstream data traffic and broadcast video traffic for further processing by the DOCSIS downstream processor **330** and broadcast video processor **340** of FIG. 3, respectively. The separated DOCSIS downstream data traffic and broadcast video traffic are delivered to the DOCSIS downstream processor **330** and broadcast video processor **340** via the DOCSIS downstream interface **450** and broadcast video module **460**, respectively.

FIG. 5 is a schematic diagram illustrating an example of an integrated video and data channel content **500**, in accordance with one or more implementations of the subject technology. The integrated video and data channel content **500** includes a timing-sensitive content **510** including broadcast video and a less-timing-sensitive content **520** including various DOCSIS data such as downstream DOCSIS data.

FIG. 6 is a schematic diagram illustrating an example of a video auxiliary channel **600**, in accordance with one or more implementations of the subject technology. It is understood that a complete video content can be delivered through multiple physical layer (PHY) channels. The video auxiliary channel **600** includes a number of channels such as video channels **602**, **604**, **606** and **608** that are separated by the PHY from a super-channel. The time-varying contents **610**, **612**, **614** and **616** and their corresponding less-time-varying contents and contents **620**, **622**, **624** and **626** of the video channels **602**, **604**, **606** and **608** are shown in FIG. 6.

FIG. 7 is a schematic diagram illustrating examples data, video content and cable plant spectra **700**, in accordance with one or more implementations of the subject technology. The examples data, video content and cable plant spectra **700** corresponds to the distribution system **300** of FIG. 3 and includes a DOCSIS CMTS downstream spectrum **710**, a video quadrature amplitude modulation (QAM) spectrum **720** and a cable plant spectrum **730**. The DOCSIS CMTS downstream spectrum **710** includes a number of DOCSIS downstream bands such as bands **712**, **714** and **716** separated by two frequency intervals **713** and **715**. The video QAM spectrum **720** includes QAM video bands **722** and **724** that are conveniently positioned in the frequency intervals **713** and **715** of the DOCSIS CMTS downstream spectrum **710**. The cable plant spectrum **730** is the spectrum of the combined video content stream and DOCSIS downstream that is a combination of the DOCSIS CMTS downstream spectrum **710** and the video QAM spectrum **720** and is entirely filled with the DOCSIS downstream bands (**712**, **714** and **716**) and the QAM video bands (**722** and **724**).

FIG. 8 is a schematic diagram illustrating an example of data and video content spectrum **800**. The example of data and video content spectrum **800** corresponds to a traditional data and video content system such as the content distribution system provided by the environment **100** of FIG. 1. As shown in FIG. 8, the frequency band **810** corresponding to the video content and the frequency bands **820** and **830** corresponding to DOCSIS data are separated by frequency

intervals **813** and **823**, which are wasted. This indicates that the integrated device of the subject technology (e.g., **300** of FIG. 3) is substantially more spectrum-efficient than the traditional system (e.g., **100** of FIG. 1).

FIG. 9 is a schematic diagram illustrating an example of a broadcast video content and data service content frequency spectrum **900**, in accordance with one or more implementations of the subject technology. The frequency spectrum **900** includes broadcast video content **910** (**910-1**, **910-2**, **910-3** and **910-4**) and DOCSIS data **912** (**912-1**, **912-2**, **912-3** and **912-4**) bandwidths for channels **902** (**902-1**, **902-2**, **902-3** and **902-4**) of a narrowband modulation scheme, as well as broadcast video content **920** and DOCSIS data **922** for a channel **904** of a wideband modulation scheme. The broadcast video content (e.g., **910** or **920**) and DOCSIS data (e.g., **912** or **922**) are co-existing in any of the downstream channels **902** or **904**, regardless of the modulation scheme. In one or more implementations, the narrowband modulation scheme can be a narrowband QAM, and the wideband modulation scheme can be an orthogonal frequency-division multiplexing (OFDM) modulation scheme. For an end-user device, regardless of being a legacy device or a user device of the subject technology, the frequency based channelization is no longer a limitation for content bandwidth sensitive services. In the traditional approach, however, different services are separated by frequency assignment and frequency partition. For example, DOCSIS services are staying within assigned DOCSIS channels or frequency bands and the legacy broadband video services are limited by 6 or 8 MHz frequency bands.

FIG. 10 is a schematic diagram illustrating an example implementation of a user device **1000**, in accordance with one or more implementations of the subject technology. The user device **1000** includes one or more high-speed ADCs **1010**, digital tuners and digital modulators **1020**, transport stream filters **1030**, a content and/or stream recovery module **1040** and a content and/or service stream management unit **1050** that provides broadband services **1060**. The user device **1000** can recover information, without limitation, from frequency channelized RF system. The high-speed ADCs **1010** digitize wide frequency bands or entire bands, which contain multiple channelized RF systems based on frequency division, which may have different channel spacing and/or different modulation types. The digital tuners and digital demodulators **1020** can convert the digitized RF signals to mixed transport streams. For each particular service, one or more of the transport stream filters **1030** may be employed to select related sub-streams. The related sub-streams could be selected from different frequency channel with different modulations. The content/service stream recovery block **1040** can combine all the related streams for a particular service of interest. The recovered stream is no longer limited by RF channel frequency bandwidth or modulation types. Then the recovery content stream can be managed by the content and/or service stream management unit **1050** (e.g., either traditional one-way conditional access control systems or two-way communication systems for access control) for delivery of the content stream for the broadband services **1060**.

FIG. 11 is a flow diagram of an example of a method **1100** of integrating video content and data, in accordance with one or more implementations of the subject technology. The method **1100** includes configuring an upstream signal path (e.g., **302** of FIG. 3), consisting of an ADC (e.g., **312** of FIG. 3) and an upstream demodulator (e.g., **310** of FIG. 3), to process upstream data traffic received from a first transmission network (e.g., **202** of FIG. 2A) (**1110**). A downstream

signal path (e.g., **304** of FIG. 3), including an Ethernet processor (e.g., **320** of FIG. 3), a DSP (e.g., **350** of FIG. 3) and a DAC (e.g., **360** of FIG. 3), is used to process downstream data traffic and downstream video traffic (**1120**). The processed downstream data traffic and the processed downstream video traffic are combined (e.g., via **356** of FIG. 3) to provide an analog downstream data-and-video traffic (e.g., **362** of FIG. 3) (**1130**). The analog downstream data-and-video traffic is transmitted to users through a second transmission network (e.g., **204** of FIG. 2) (**1140**).

FIG. 12 conceptually illustrates an electronic system with which any implementations of the subject technology are implemented. The electronic system **1200**, for example, can be a network device, an STB device, a media converter, a desktop computer, a laptop computer, a tablet computer, a server, a switch, a router, a base station, a receiver, a phone, or generally any electronic device that transmits signals over a network. Such an electronic system **1200** includes various types of computer-readable media and interfaces for various other types of computer-readable media. In one or more implementations, the electronic system **1200** may perform some of the functionalities of the integrated device (e.g., **300** of FIG. 3) of the subject technology, for example, executing one or more software modules of the distribution system **300**. The electronic system **1200** includes a bus **1208**, one or more processing units **1212**, a system memory **1204**, a read-only memory (ROM) **1210**, a permanent storage device **1202**, an input device interface **1214**, an output device interface **1206**, and one or more network interfaces **1216**, or subsets and variations thereof.

The bus **1208** collectively represents all system, peripheral, and chipset buses that communicatively connect the numerous internal devices of the electronic system **1200**. In one or more implementations, the bus **1208** communicatively connects the one or more processing units **1212** with the ROM **1210**, the system memory **1204**, and the permanent storage device **1202**. From these various memory units, the one or more processing units **1212** retrieve instructions to execute and data to process in order to execute the processes of the subject disclosure. The one or more processing units **1212** can be a single processor or a multi-core processor in different implementations. In one or more implementations, one or more processing units **1212** may perform some of the processing functionalities of the distribution system **300** of the subject technology by executing respective software modules.

The ROM **1210** stores static data and instructions that are needed by the one or more processing units **1212** and other modules of the electronic system. The permanent storage device **1202**, on the other hand, is a read-and-write memory device. The permanent storage device **1202** is a nonvolatile memory unit that stores instructions and data even when the electronic system **1200** is off. One or more implementations of the subject disclosure use a mass-storage device (such as a magnetic or optical disk and its corresponding disk drive) as the permanent storage device **1202**.

Other implementations use a removable storage device (such as a floppy disk or a flash drive, and its corresponding disk drive) as the permanent storage device **1202**. Like the permanent storage device **1202**, the system memory **1204** is a read-and-write memory device. However, unlike the permanent storage device **1202**, the system memory **1204** is a volatile read-and-write memory, such as random-access memory (RAM). System memory **1204** stores any of the instructions and data that the one or more processing units **1212** need at runtime. In one or more implementations, the processes of the subject disclosure are stored in the system

memory 1204, the permanent storage device 1202, and/or the ROM 1210. From these various memory units, the one or more processing units 1212 retrieve instructions to execute and data to process in order to execute the processes of one or more implementations.

The bus 1208 also connects to the input device interface 1214 and the output device interface 1206. The input device interface 1214 enables a user to communicate information and select commands to the electronic system 1200. Input devices used with the input device interface 1214 include, for example, alphanumeric keyboards and pointing devices (also called “cursor control devices”). The output device interface 1206 enables, for example, the display of images generated by the electronic system 1200. Output devices used with the output device interface 1206 include, for example, printers and display devices, such as a liquid crystal display (LCD), a light-emitting diode (LED) display, an organic light-emitting diode (OLED) display, a flexible display, a flat panel display, a solid state display, a projector, or any other device for outputting information. One or more implementations include devices that function as both input and output devices, such as a touchscreen. In these implementations, feedback provided to the user can be any form of sensory feedback, such as visual, auditory, or tactile feedback, and input from the user can be received in any form, including acoustic, speech, or tactile input.

Finally, as shown in FIG. 12, the bus 1208 also couples the electronic system 1200 to one or more networks (not shown) through one or more network interfaces 1216. In this manner, the computer can be a part of one or more networks of computers (such as LAN, a wide area network (WAN), an Intranet, or a network of networks, such as the Internet). Any or all components of the electronic system 1200 can be used in conjunction with the subject disclosure.

Implementations within the scope of the present disclosure can be partially or entirely realized using a tangible computer-readable storage medium (or multiple tangible computer-readable storage media of one or more types) encoding one or more instructions. The tangible computer-readable storage medium can also be nontransitory in nature.

The computer-readable storage medium can be any storage medium that can be read, written, or otherwise accessed by a general-purpose or special-purpose computing device, including any processing electronics and/or processing circuitry capable of executing instructions. For example, without limitation, the computer-readable medium can include any volatile semiconductor memory, such as RAM, DRAM, SRAM, T-RAM, Z-RAM, and TTRAM. The computer-readable medium also can include any nonvolatile semiconductor memory, such as ROM, PROM, EPROM, EEPROM, NVRAM, flash, nvSRAM, FeRAM, FeTRAM, MRAM, PRAM, CBRAM, SONOS, RRAM, NRAM, racetrack memory, FJG, and Millipede memory.

Further, the computer-readable storage medium can include any nonsemiconductor memory, such as optical disk storage, magnetic disk storage, magnetic tape, other magnetic storage devices, or any other medium capable of storing one or more instructions. In some implementations, the tangible computer-readable storage medium can be directly coupled to a computing device, while in other implementations the tangible computer-readable storage medium can be indirectly coupled to a computing device, e.g., via one or more wired connections, one or more wireless connections, or any combination thereof.

Instructions can be directly executable or can be used to develop executable instructions. For example, instructions can be realized as executable or nonexecutable machine

code or as instructions in a high-level language that can be compiled to produce executable or nonexecutable machine code. Further, instructions also can be realized as or can include data. Computer-executable instructions also can be organized in any format, including routines, subroutines, programs, data structures, objects, modules, applications, applets, functions, etc. As recognized by those of skill in the art, details including, but not limited to, the number, structure, sequence, and organization of instructions can differ significantly without varying the underlying logic, function, processing, and output.

While the above discussion primarily refers to microprocessor or multicore processors that execute software (SW), one or more implementations are performed by one or more integrated circuits, such as application-specific integrated circuits (ASICs) or field programmable gate arrays (FPGAs). In one or more implementations, such integrated circuits execute instructions that are stored on the circuits themselves.

The previous description is provided to enable any person skilled in the art to practice the various aspects described herein. Various modifications to these aspects will be readily apparent to those skilled in the art, and the generic principles defined herein may be applied to other aspects. Thus, the claims are not intended to be limited to the aspects shown herein, but are to be accorded the full scope consistent with the language claims, wherein reference to an element in the singular is not intended to mean “one and only one” unless specifically so stated, but rather “one or more.” Unless specifically stated otherwise, the term “some” refers to one or more. Pronouns in the masculine (e.g., his) include the feminine and neuter gender (e.g., her and its) and vice versa. Headings and subheadings, if any, are used for convenience only and do not limit the subject disclosure.

The predicate words “configured to,” “operable to,” and “programmed to” do not imply any particular tangible or intangible modification of a subject, but rather are intended to be used interchangeably. For example, a processor configured to monitor and control an operation or a component may also mean the processor being programmed to monitor and control the operation or the processor being operable to monitor and control the operation. Likewise, a processor configured to execute code can be construed as a processor programmed to execute code or operable to execute code.

A phrase such as “an aspect” does not imply that such aspect is essential to the subject technology or that such aspect applies to all configurations of the subject technology. A disclosure relating to an aspect may apply to all configurations, or one or more configurations. A phrase such as “an aspect” may refer to one or more aspects and vice versa. A phrase such as “a configuration” does not imply that such configuration is essential to the subject technology or that such configuration applies to all configurations of the subject technology. A disclosure relating to a configuration may apply to all configurations, or one or more configurations. A phrase such as a configuration may refer to one or more configurations and vice versa.

The word “example” is used herein to mean “serving as an example or illustration.” Any aspect or design described herein as “an example” is not necessarily to be construed as preferred or advantageous over other aspects or designs.

All structural and functional equivalents to the elements of the various aspects described throughout this disclosure that are known or later come to be known to those of ordinary skill in the art are expressly incorporated herein by reference and are intended to be encompassed by the claims. Moreover, nothing disclosed herein is intended to be dedi-

cated to the public regardless of whether such disclosure is explicitly recited in the claims. No claim element is to be construed under the provisions of 35 U.S.C. § 112, sixth paragraph, unless the element is expressly recited using the phrase “means for” or, in the case of a method claim, the element is recited using the phrase “step for.” Furthermore, to the extent that the term “include,” “have,” or the like is used in the description or the claims, such term is intended to be inclusive in a manner similar to the term “comprise” as “comprise” is interpreted when employed as a transitional word in a claim.

Those of skill in the art would appreciate that the various illustrative blocks, modules, elements, components, methods, and algorithms described herein may be implemented as electronic hardware, computer software, or combinations of both. To illustrate this interchangeability of hardware and software, various illustrative blocks, modules, elements, components, methods, and algorithms have been described above generally in terms of their functionality. Whether such functionality is implemented as hardware or software depends upon the particular application and design constraints imposed on the overall system. Skilled artisans may implement the described functionality in varying ways for each particular application. Various components and blocks may be arranged differently (e.g., arranged in a different order, or partitioned in a different way), all without departing from the scope of the subject technology.

What is claimed is:

1. A system for integrating video content and data provision, the system comprising:

an upstream signal path configured to process an upstream data traffic received from a first transmission network for transmission to a second transmission network; and a downstream signal path configured to process a downstream data traffic and downstream video traffic for transmission over downstream frequency channels from the second transmission network to the first transmission network,

wherein:

the upstream signal path includes an analog-to-digital converter (ADC) and an upstream demodulator;

the downstream signal path includes an Ethernet processor, a digital-signal-processor (DSP) and a digital-to-analog converter (DAC);

the downstream data traffic comprises a downstream first data;

the downstream video traffic comprises a downstream video content; and

the DSP comprises at least a digital channel combiner configured to combine the downstream first data and the downstream video content to allow the downstream first data and the downstream video content to co-exist in i) at least one of a narrowband modulation scheme or a wideband modulation scheme and ii) a single downstream channel of the downstream frequency channels.

2. The system of claim 1, wherein the upstream data traffic comprises a data-over-cable system interface specification (DOCSIS) data stream.

3. The system of claim 1, wherein the first transmission network comprises at least one of a coaxial cable network or a fiber-optics network, and wherein the second transmission network comprises an Ethernet network.

4. The system of claim 1, wherein the upstream demodulator comprises a DOCSIS demodulator configured to demodulate the upstream data traffic for Ethernet processing.

5. The system of claim 4, wherein the Ethernet processor comprises a DOCSIS upstream receiver configured to receive the demodulated upstream data traffic and to provide DOCSIS upstream content to an internet protocol (IP) framer for conversion to IP frames.

6. The system of claim 4, wherein the Ethernet processor further comprises an IP deframer, a payload parser, a DOCSIS downstream interface and a video stream interface, and wherein the payload parser is configured to parse payloads of deframed IP frames to provide DOCSIS downstream data and a video data stream to the DOCSIS downstream interface and the video stream interface, respectively.

7. The system of claim 6, wherein the downstream signal path further includes a DOCSIS downstream processor configured to process the DOCSIS downstream data by performing DOCSIS functions including bandwidth control and de-jittering.

8. The system of claim 6, wherein the downstream signal path further includes a broadcast video processor configured to process the video data stream by performing moving-picture experts group (MPEG) transport stream processing including removing network jitter as well as performing program clock reference (PCR) corrections and conditional access.

9. The system of claim 6, wherein the DSP comprises a downstream channel formation and scheduler, a digital modulator and a digital channel combiner configured to combine the video data stream and the DOCSIS downstream data.

10. The system of claim 1, further comprising a system management unit configured to unify management and control of operations of the upstream signal path and the downstream signal path.

11. A content distribution system comprising:

at least one processor circuit configured to:

process upstream data traffic received from a first transmission network through an upstream signal path for transmission to a second transmission network; and

process downstream data traffic and downstream video traffic through a common downstream signal path for transmission over downstream frequency channels to the first transmission network,

wherein:

at least one of the downstream data traffic or the downstream video traffic is receivable from the second transmission network;

the downstream data traffic comprises a downstream first data;

the downstream video traffic comprises a downstream video content; and

the common downstream signal path is configured to combine the downstream first data and the downstream video content to allow the downstream first data and the downstream video content to co-exist in i) at least one of a narrowband modulation scheme or a wideband modulation scheme and ii) a single downstream channel of the downstream frequency channels.

12. The content distribution system of claim 11, wherein the second transmission network comprises an Ethernet network.

13. The content distribution system of claim 11, wherein the first transmission network comprises at least one of a coaxial cable network or an optical fiber network.