

[54] **COMBINED TUMBLER AND TOOTHBRUSH HOLDER**

[75] Inventor: **Raymond U. H. Tegner, Lodi, Wis.**

[73] Assignee: **Amerock Corporation, Rockford, Ill.**

[\*\*] Term: **14 Years**

[21] Appl. No.: **771,153**

[22] Filed: **Feb. 23, 1977**

[51] Int. Cl. .... **D23-02; D8-06**

[52] U.S. Cl. .... **D6/92**

[58] Field of Search .... **D8/300, 307, 310, 312, D8/321-322; D6/86, 89, 90, 92, 93, 94**

[56] **References Cited**

**U.S. PATENT DOCUMENTS**

D. 204,801	5/1966	Rhoades .....	D8/312
D. 206,147	11/1966	Clayton .....	D8/310
D. 225,947	1/1973	Tegner .....	D6/89
D. 228,271	9/1973	Tegner .....	D6/92

D. 231,056	4/1974	Tegner .....	D6/89
D. 242,194	11/1976	Gold .....	D6/89

*Primary Examiner*—Wallace R. Burke  
*Assistant Examiner*—B. J. Bullock  
*Attorney, Agent, or Firm*—C. Frederick Leydig

[57] **CLAIM**

The ornamental design for a combined tumbler and toothbrush holder, as shown.

**DESCRIPTION**

FIG. 1 is a top plan view of a combined tumbler and toothbrush holder incorporating my new design.

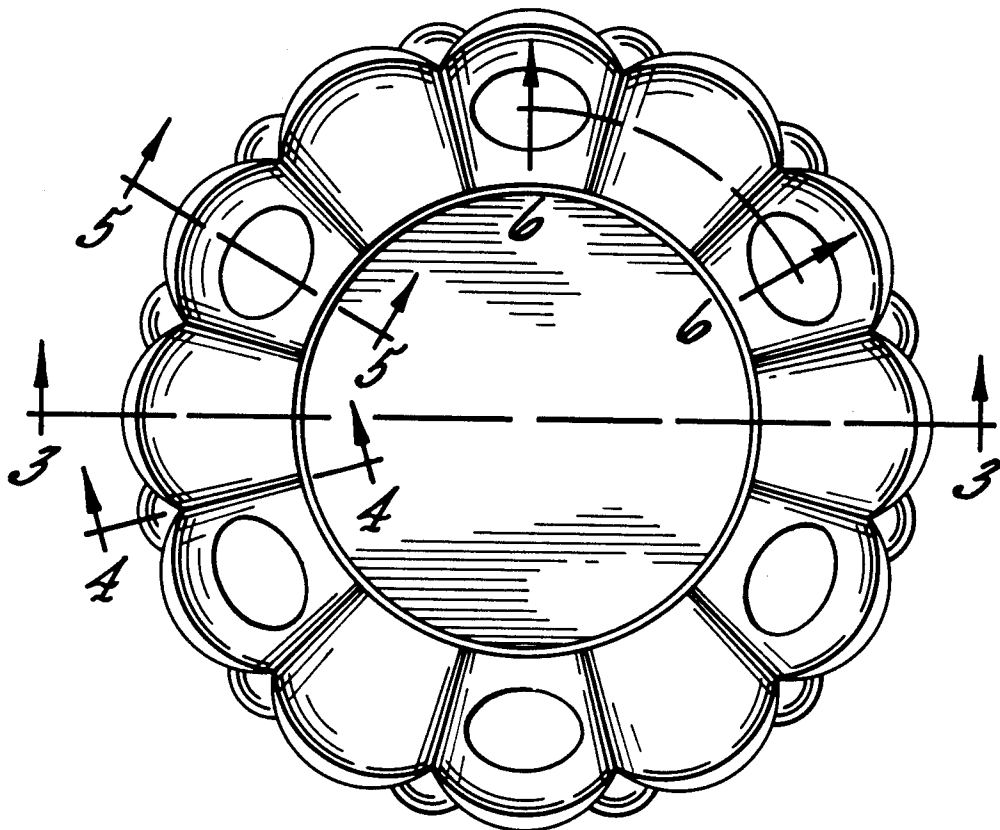
FIG. 2 is a side elevational view of the holder.

FIG. 3 is a sectional view taken along the line 3—3 in FIG. 1.

FIG. 4 is an enlarged fragmentary sectional view taken along the line 4—4 in FIG. 1.

FIG. 5 is an enlarged fragmentary sectional view taken along the line 5—5 in FIG. 1.

FIG. 6 is an enlarged fragmentary sectional view taken along the line 6—6 in FIG. 1.



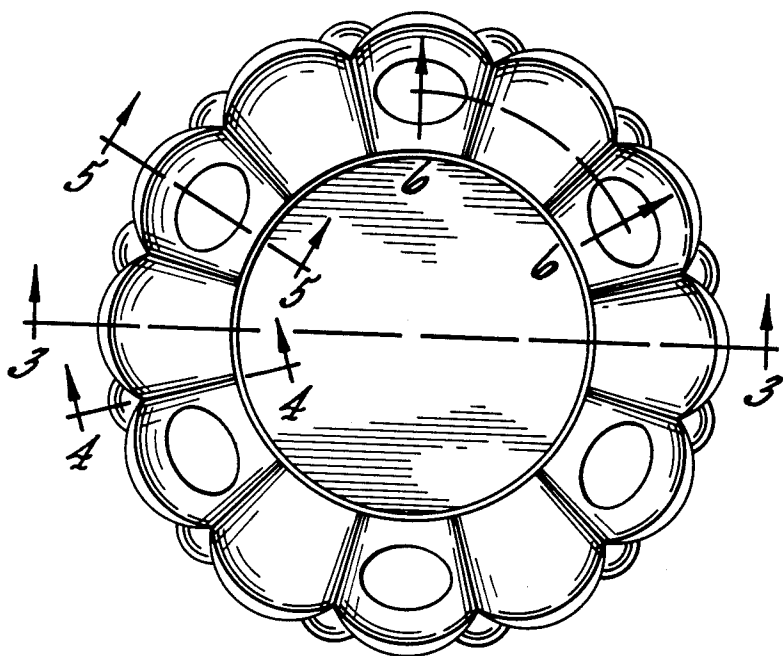


FIG. 1.

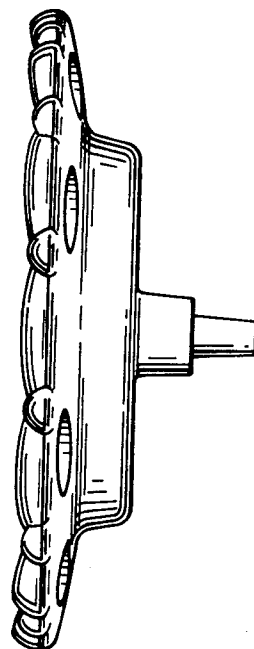


FIG. 2.

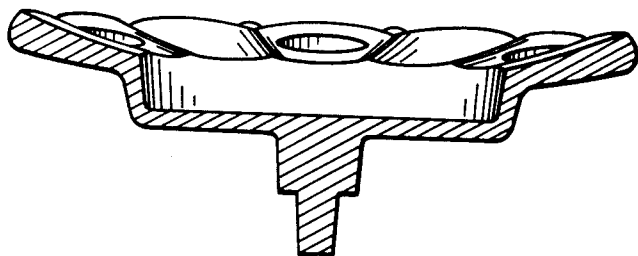


FIG. 3.

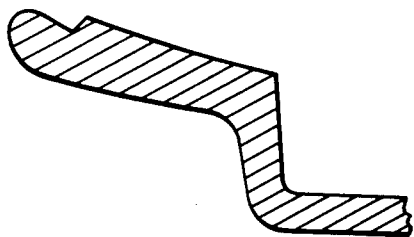


FIG. 4.

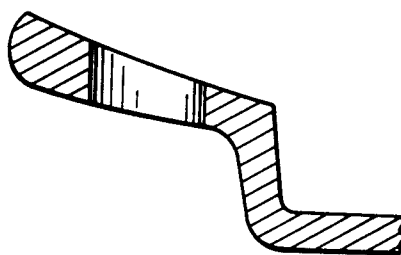


FIG. 5.



FIG. 6.