



(19) **United States**

(12) **Patent Application Publication**

Kadlec et al.

(10) **Pub. No.: US 2002/0186624 A1**

(43) **Pub. Date: Dec. 12, 2002**

(54) **FOCUS SERVO SYSTEM WITH A SLIDING NOTCH FILTER**

Related U.S. Application Data

(75) Inventors: **Ron J. Kadlec**, Longmont, CO (US);
Charles R. Watt, Longmont, CO (US)

(60) Provisional application No. 60/264,351, filed on Jan. 25, 2001.

Correspondence Address:

Gary J. Edwards
SKJERVEN MORRILL MacPHERSON LLP
Suite 700
25 Metro Drive
San Jose, CA 95110-1349 (US)

Publication Classification

(51) **Int. Cl.⁷** **G11B 7/085**
(52) **U.S. Cl.** **369/44.28**

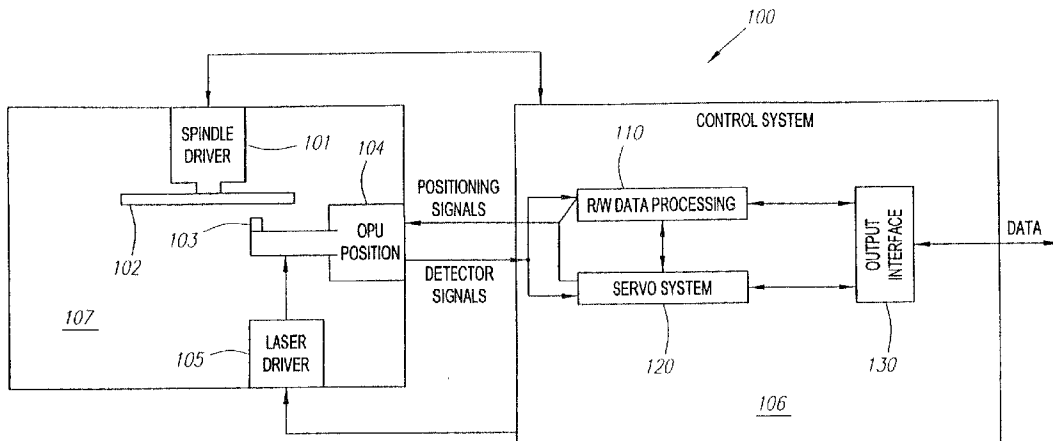
(73) Assignee: **DataPlay, Inc.**

(21) Appl. No.: **09/950,514**

(22) Filed: **Sep. 10, 2001**

(57) **ABSTRACT**

A notch filter that filters a focus error signal during a multi-track seek operation is presented. The notch filter has a center frequency that relates to the seek reference velocity of a multi-rack seek algorithm. During the multi-track seek operation, a focus control signal is calculated from the filtered focus error signal from the notch filter.



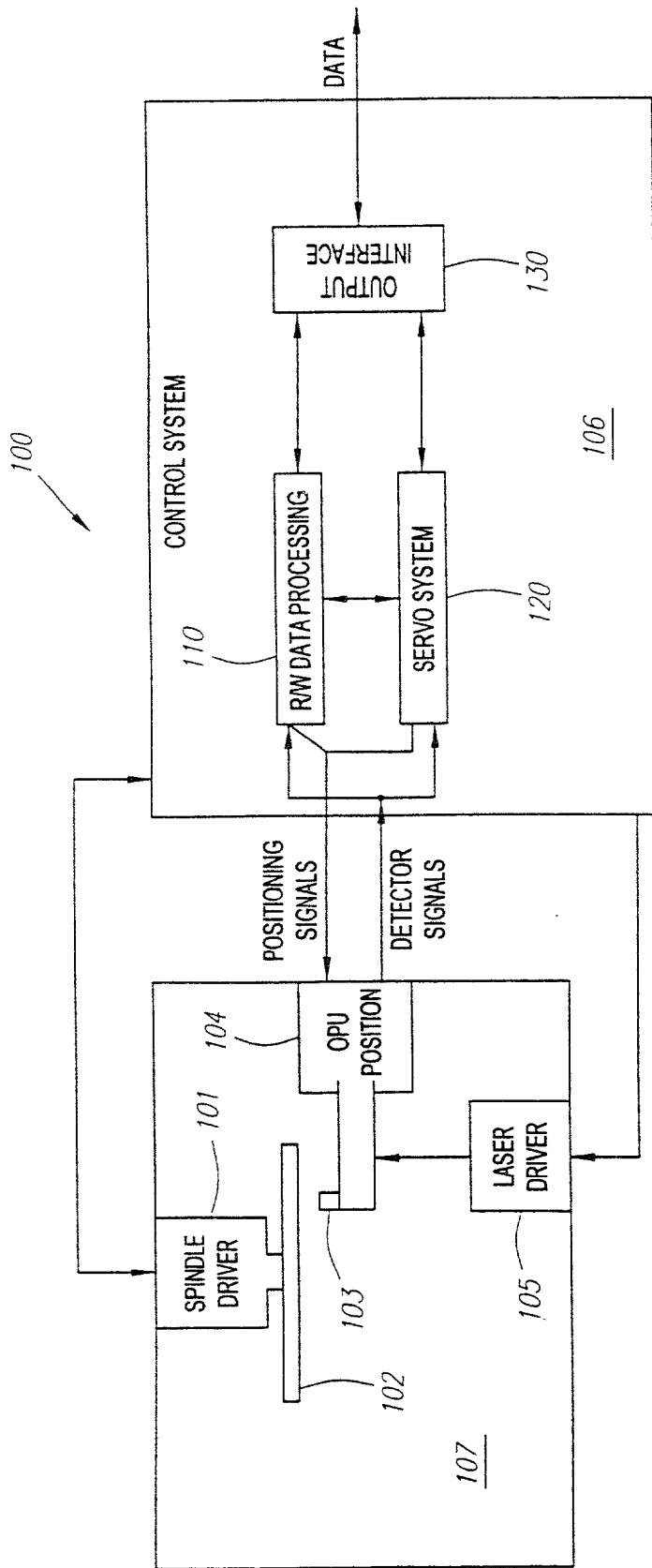


FIG. 1A

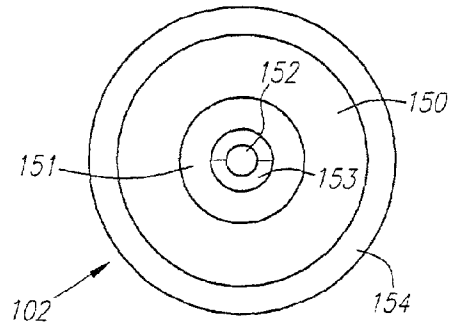


FIG. 1B

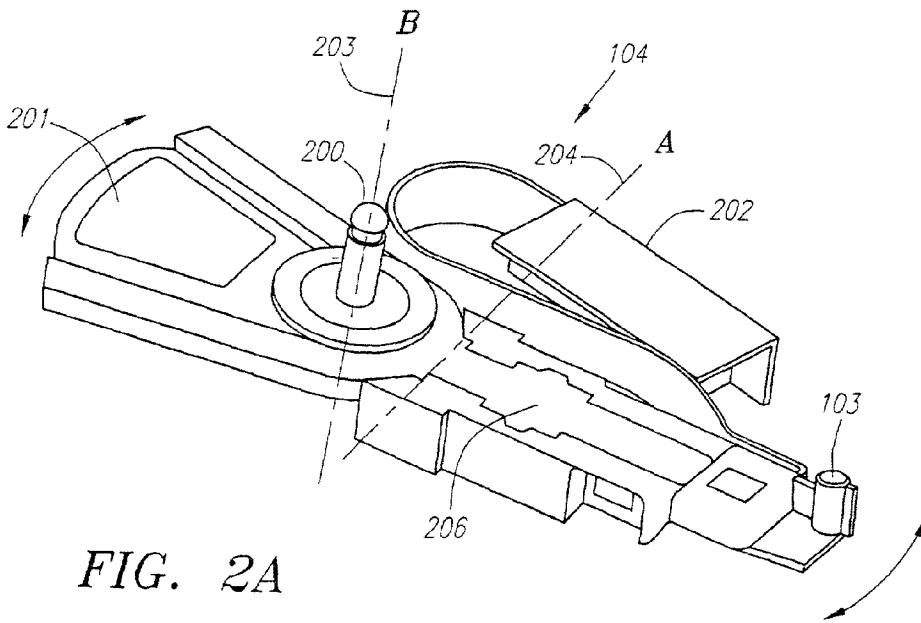


FIG. 2A

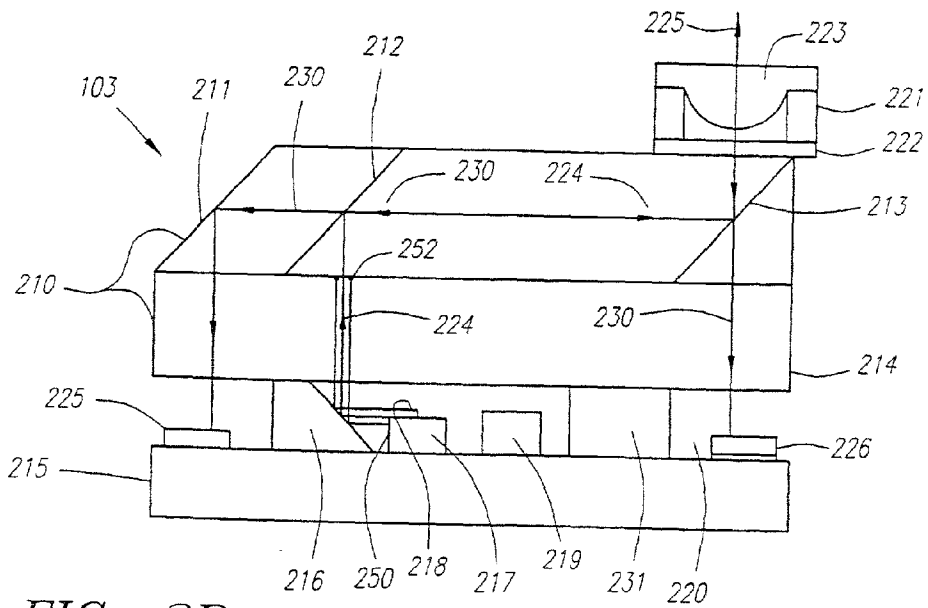


FIG. 2B

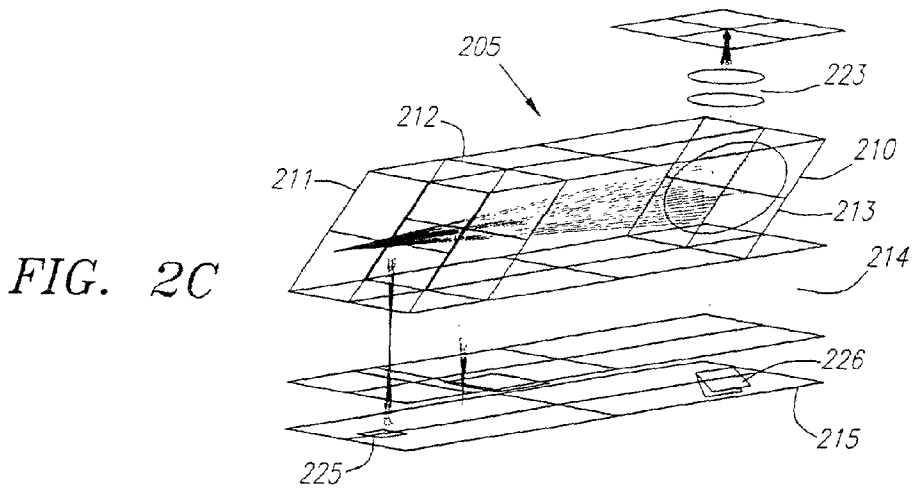


FIG. 2C

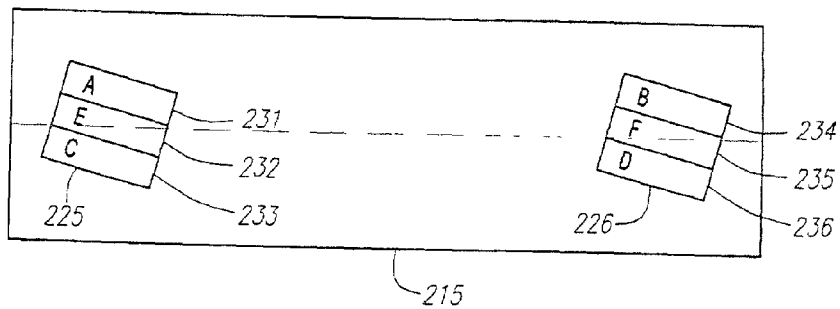


FIG. 2D

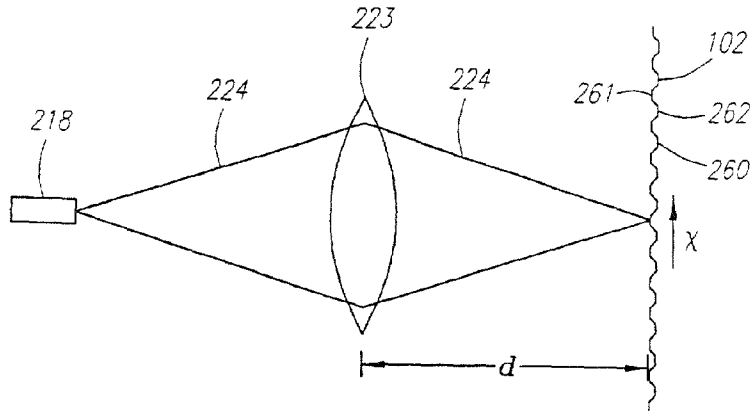


FIG. 2E

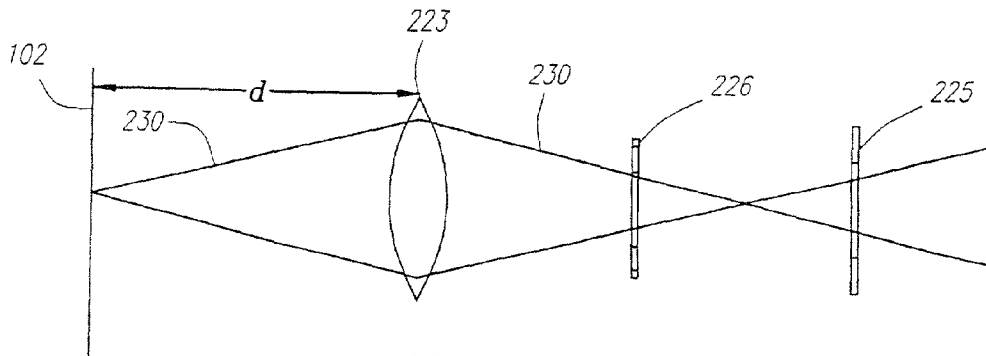


FIG. 2F

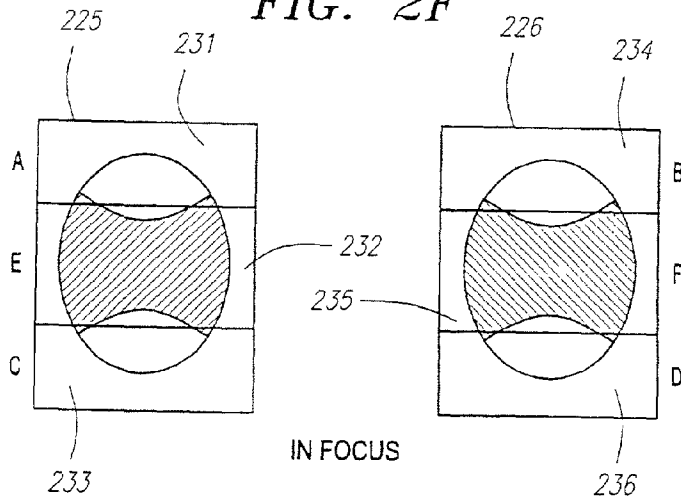


FIG. 2G

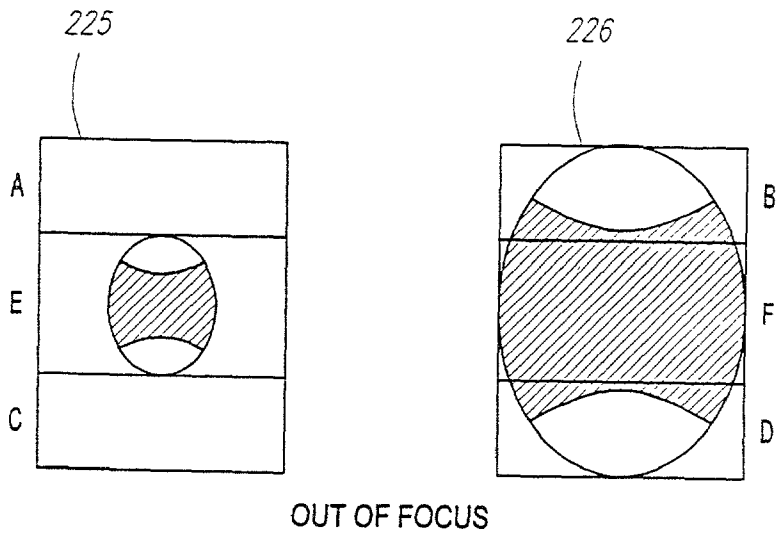


FIG. 2H

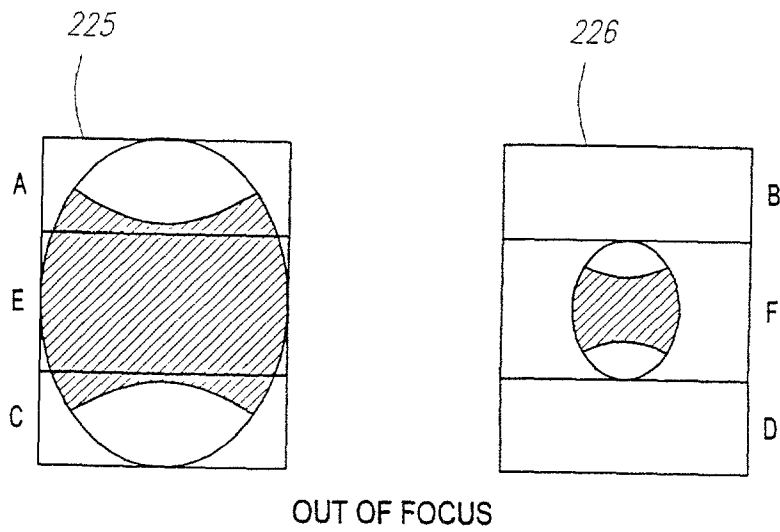


FIG. 2I

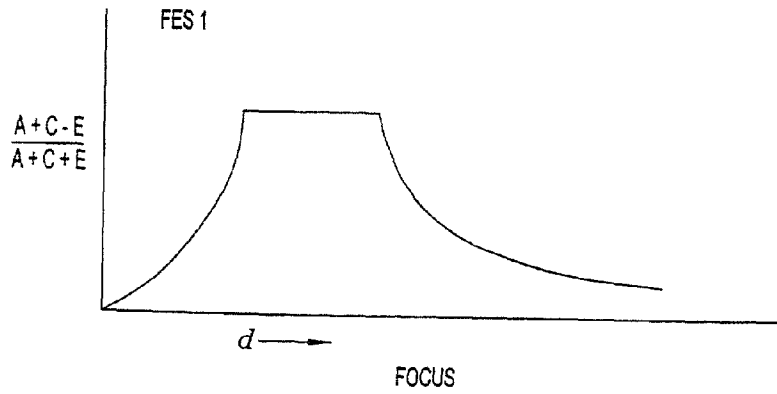


FIG. 2J

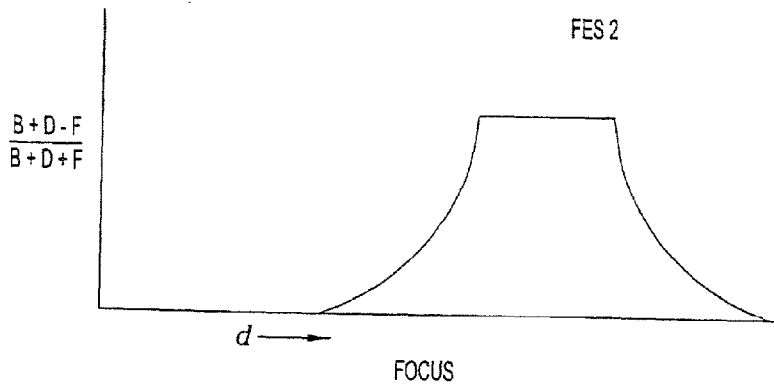


FIG. 2K

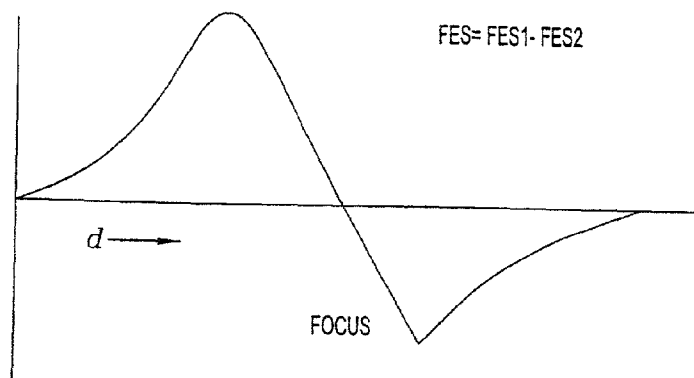


FIG. 2L

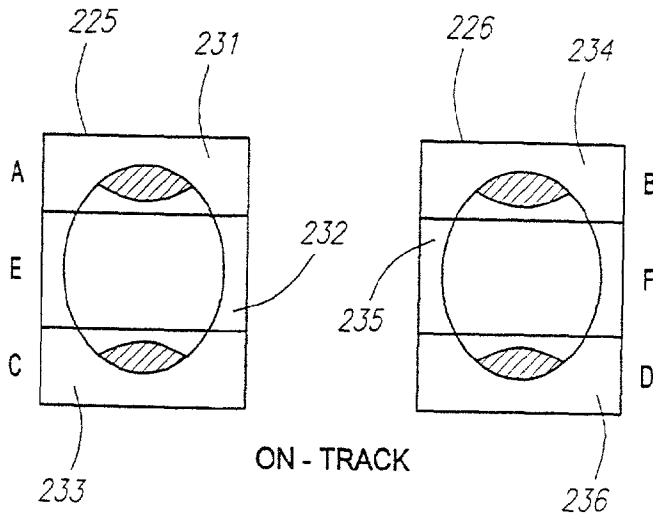
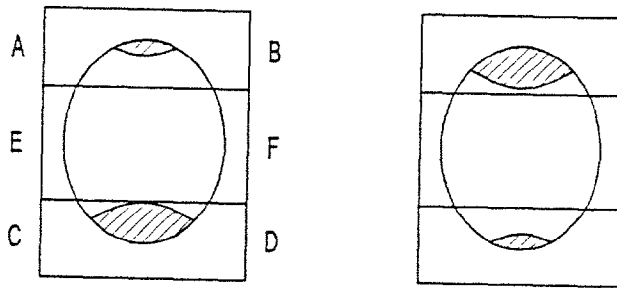
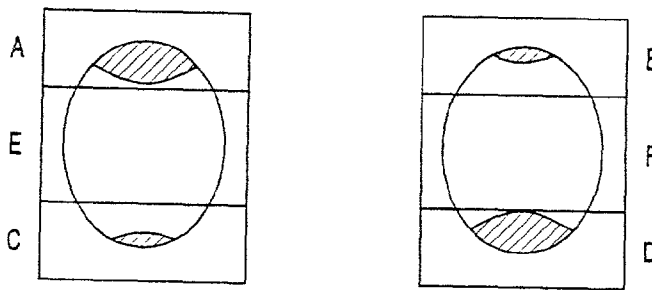


FIG. 2M



OFF - TRACK

FIG. 2N



OFF - TRACK

FIG. 2O

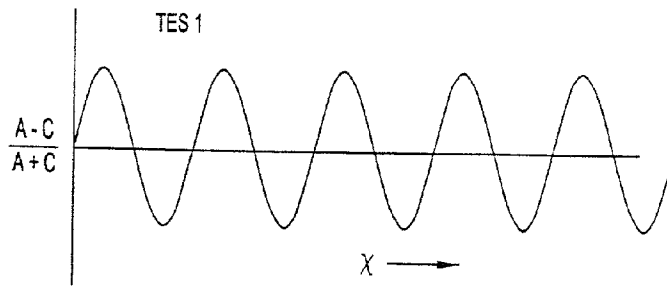


FIG. 2P

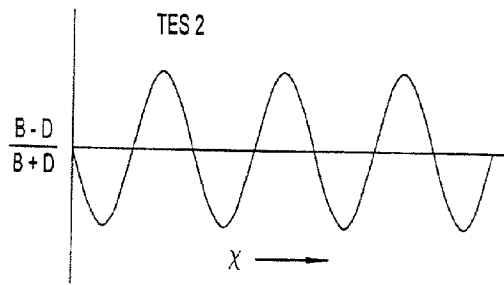


FIG. 2Q

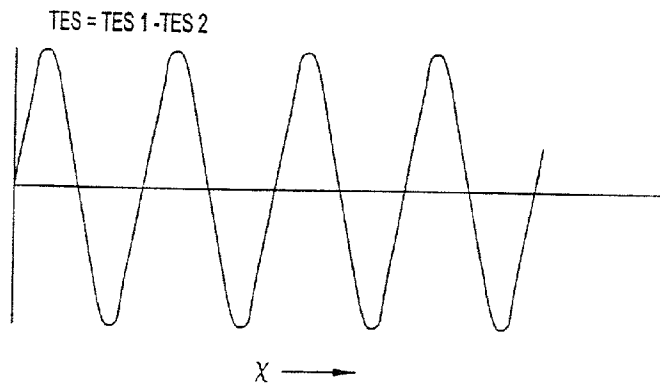


FIG. 2R

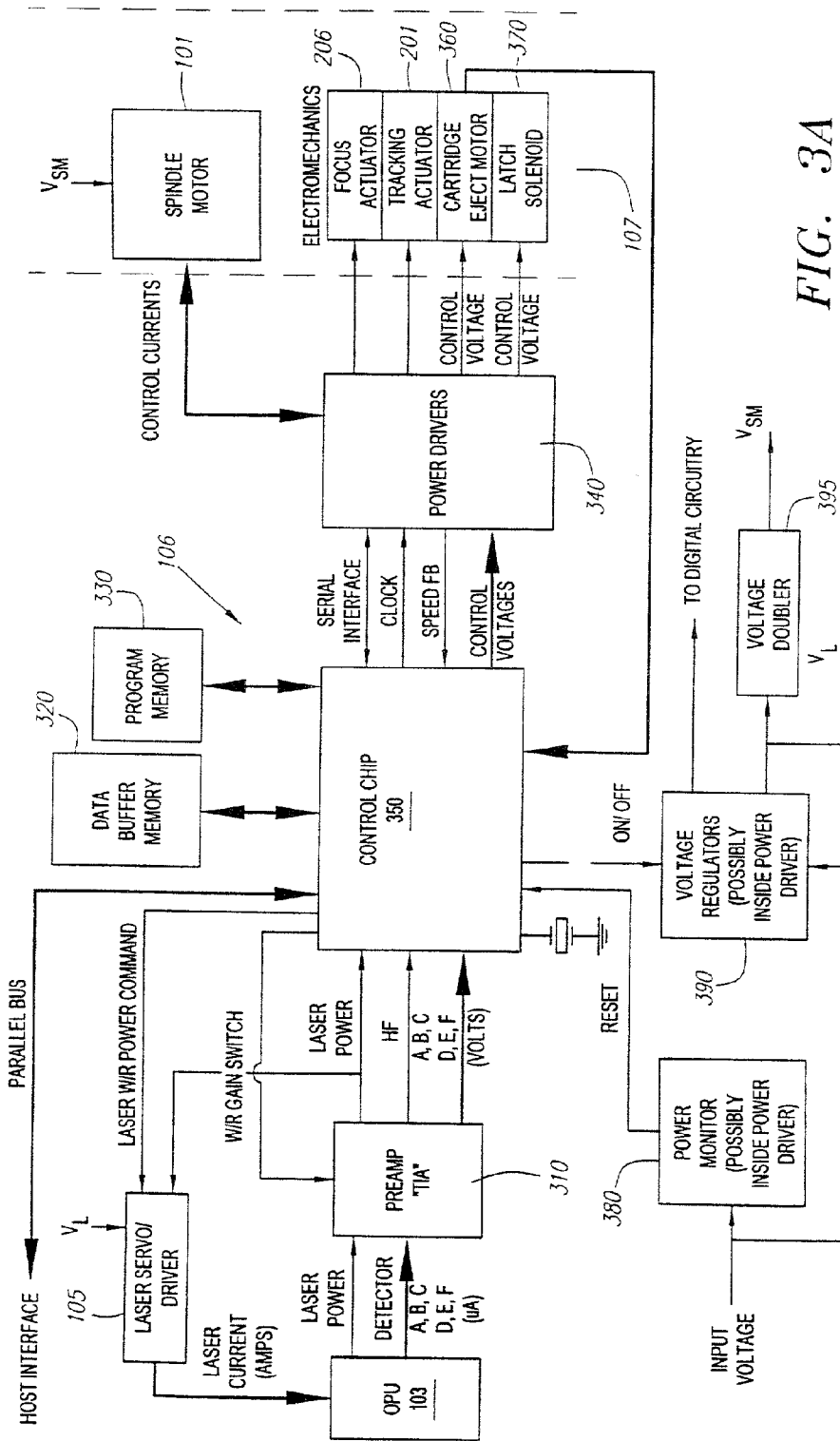


FIG. 3A

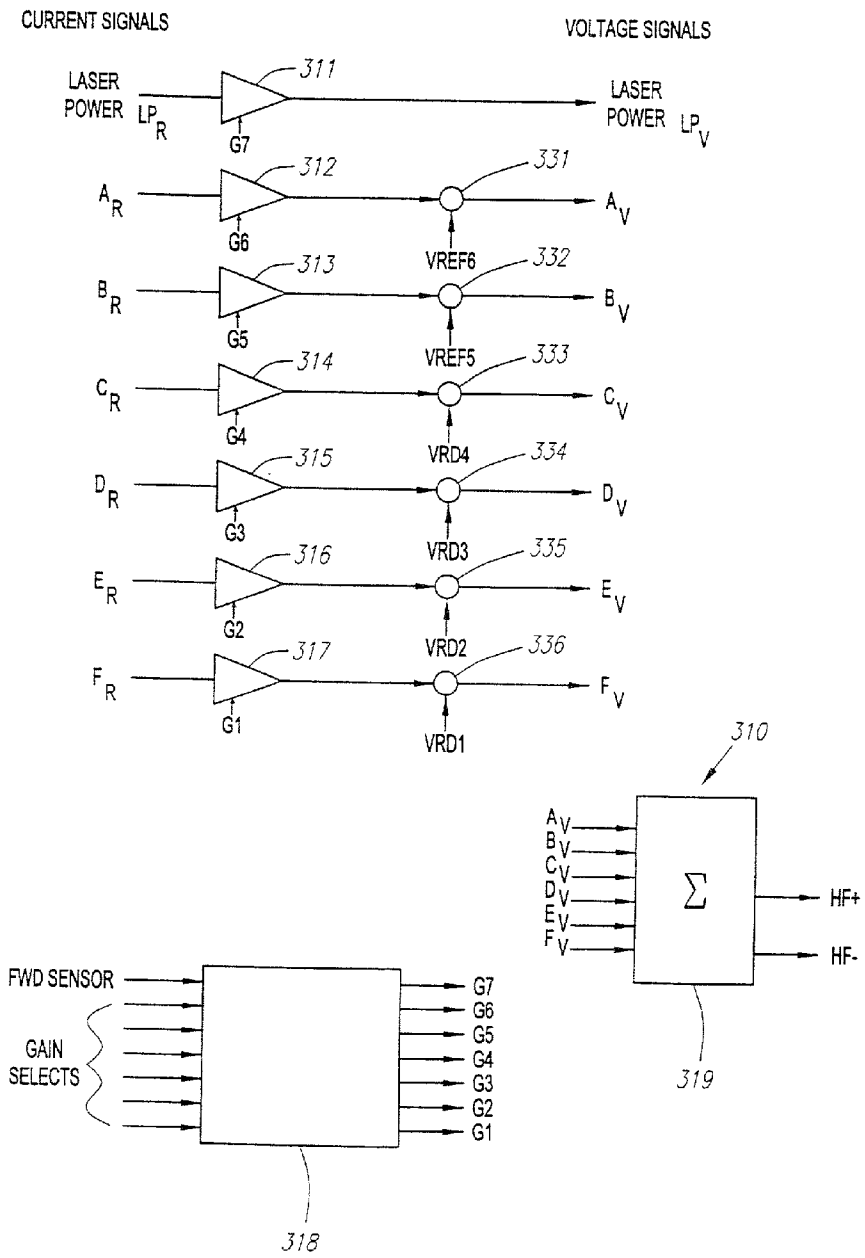


FIG. 3B

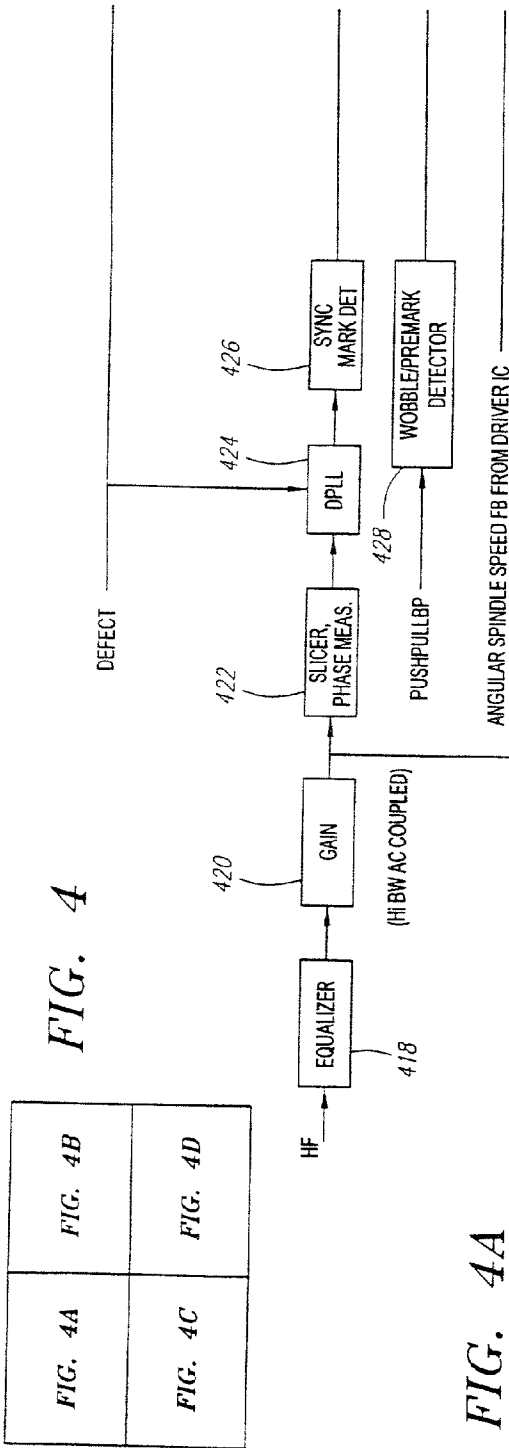


FIG. 4A	FIG. 4B
FIG. 4C	FIG. 4D

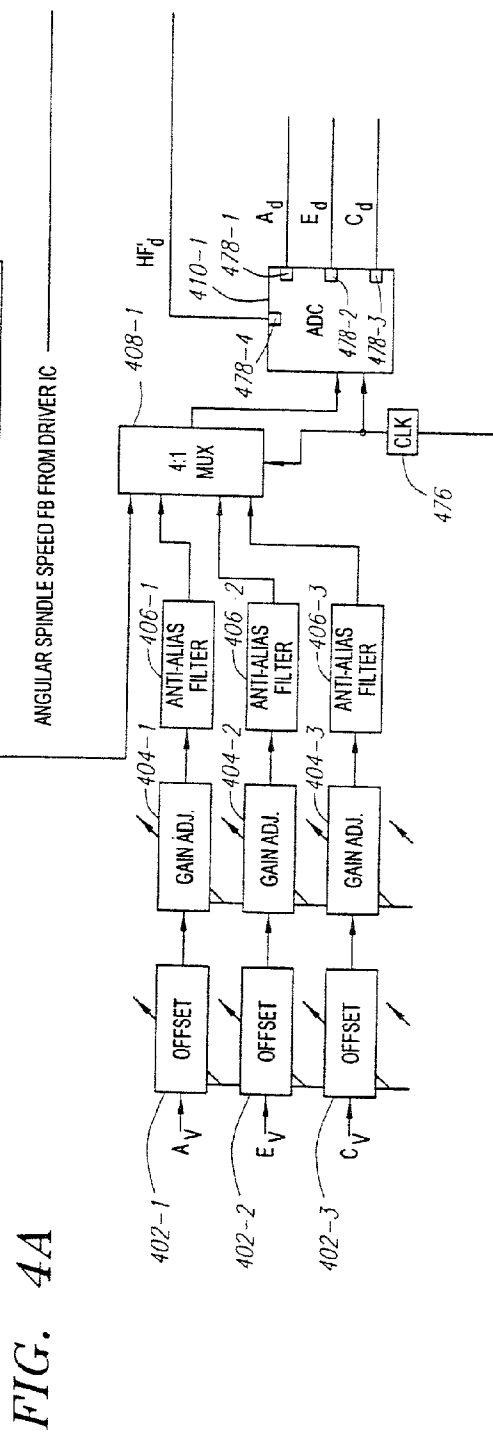
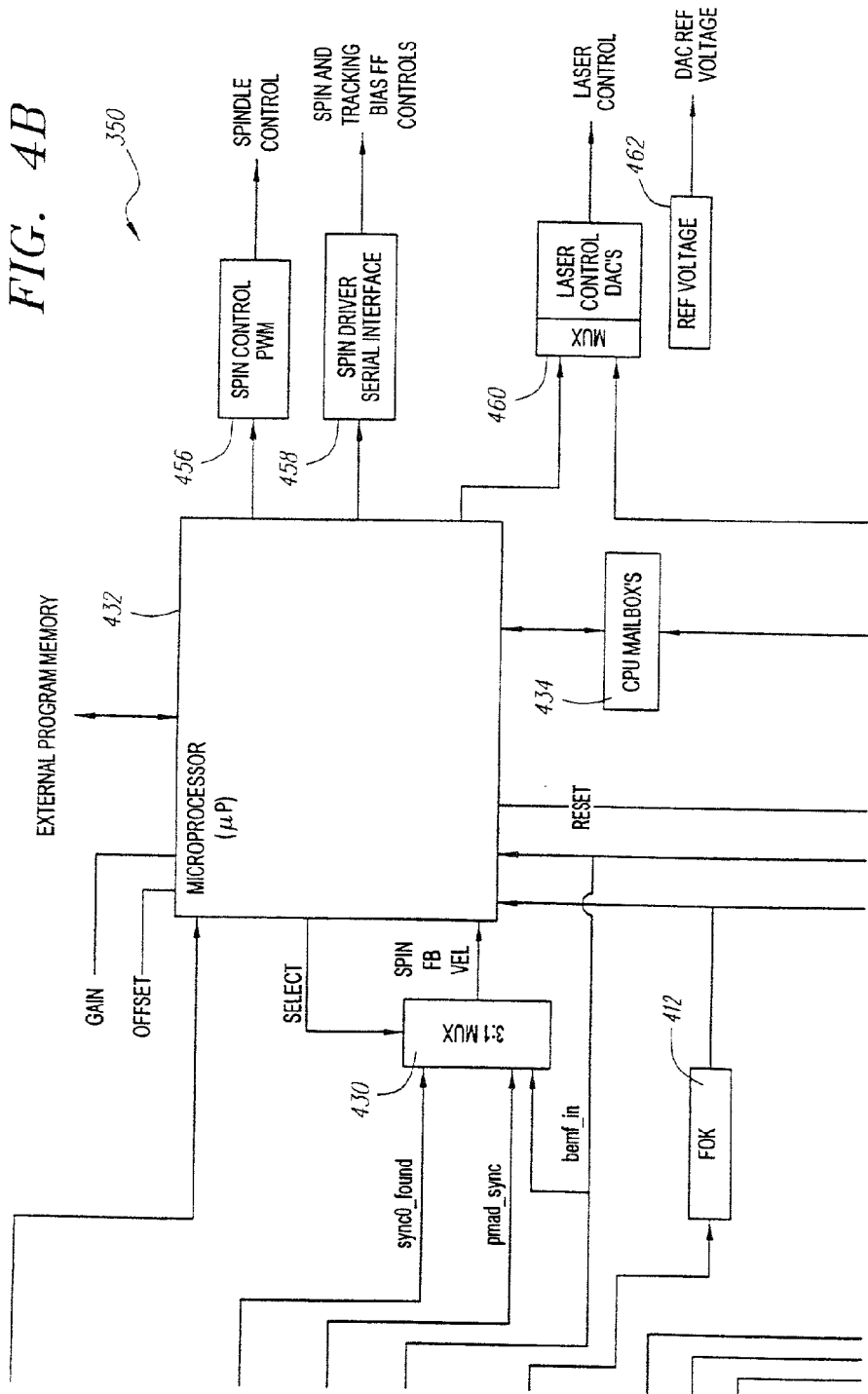


FIG. 4B



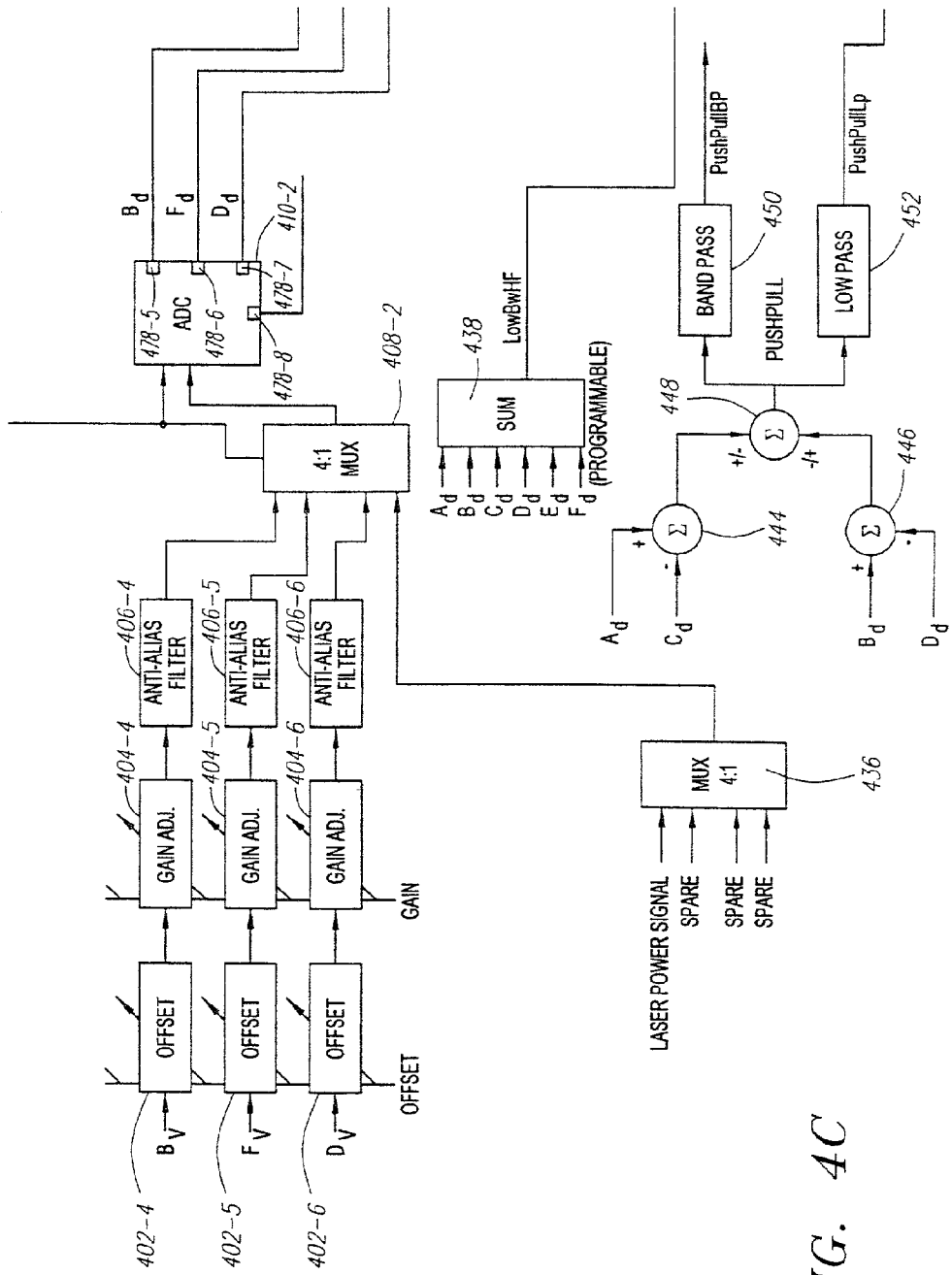


FIG. 4C

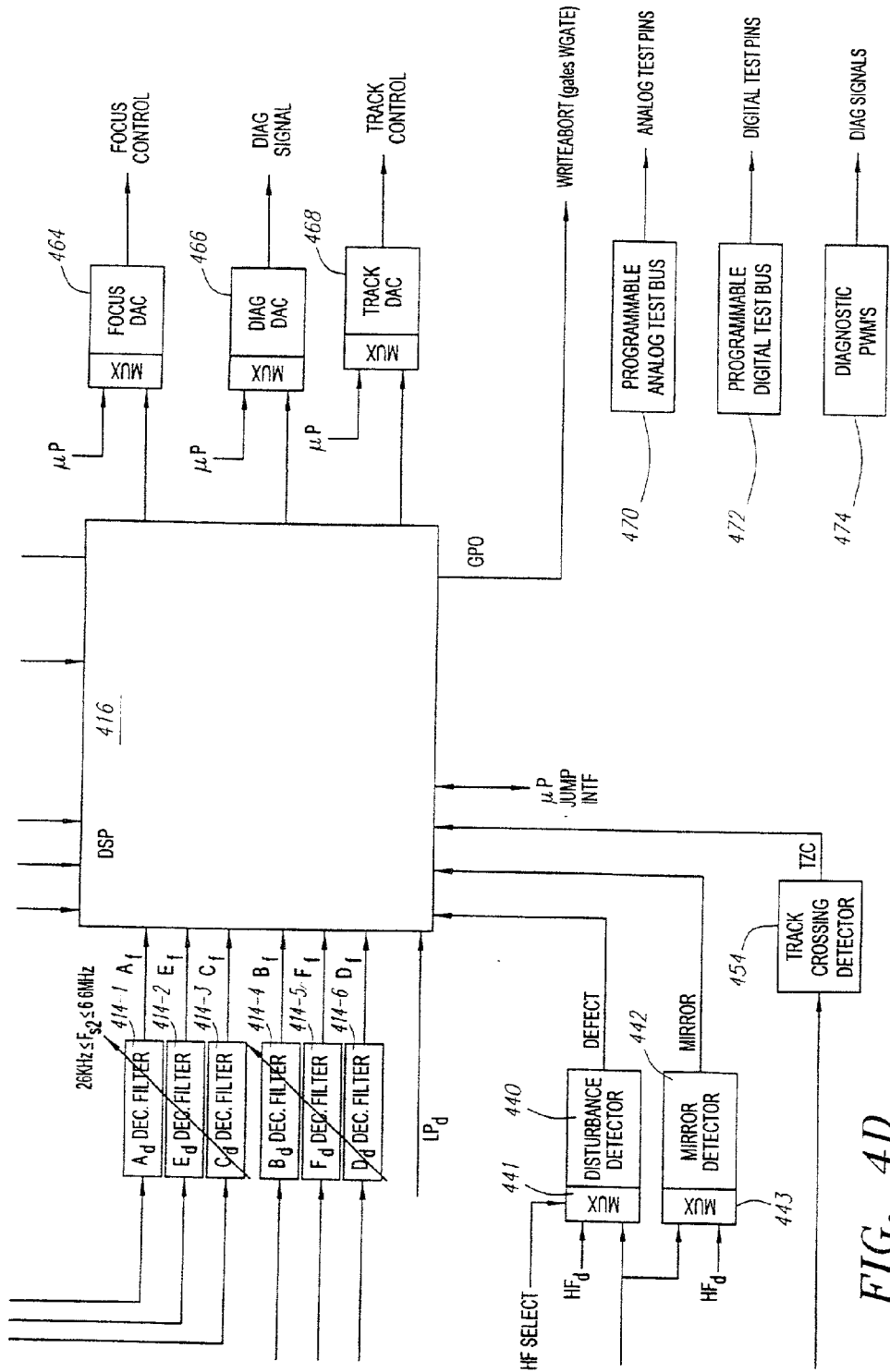


FIG. 4D

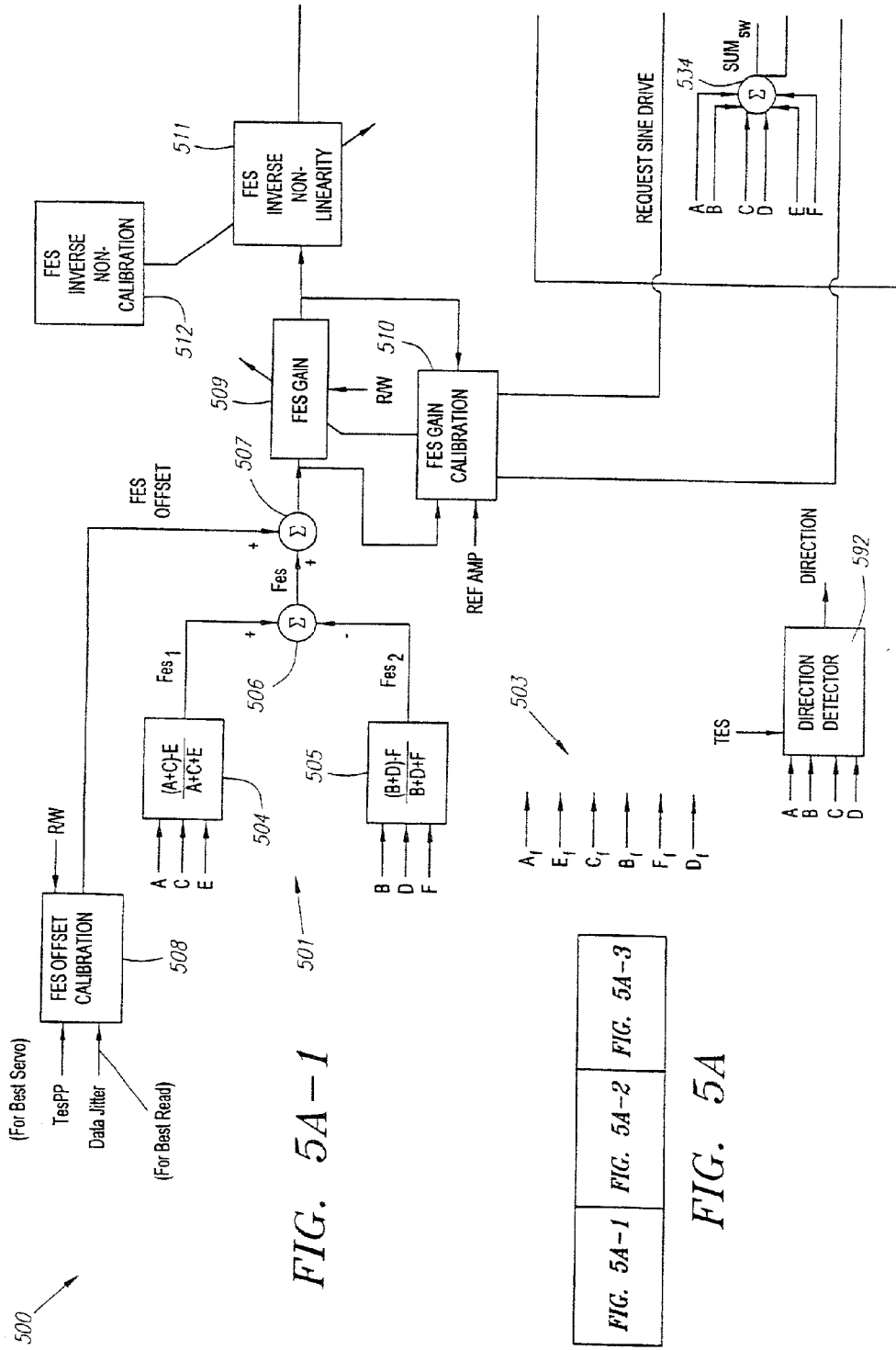


FIG. 5A-1

FIG. 5A-1

FIG. 5A-2

FIG. 5A-3

FIG. 5A

FIG. 5A-2

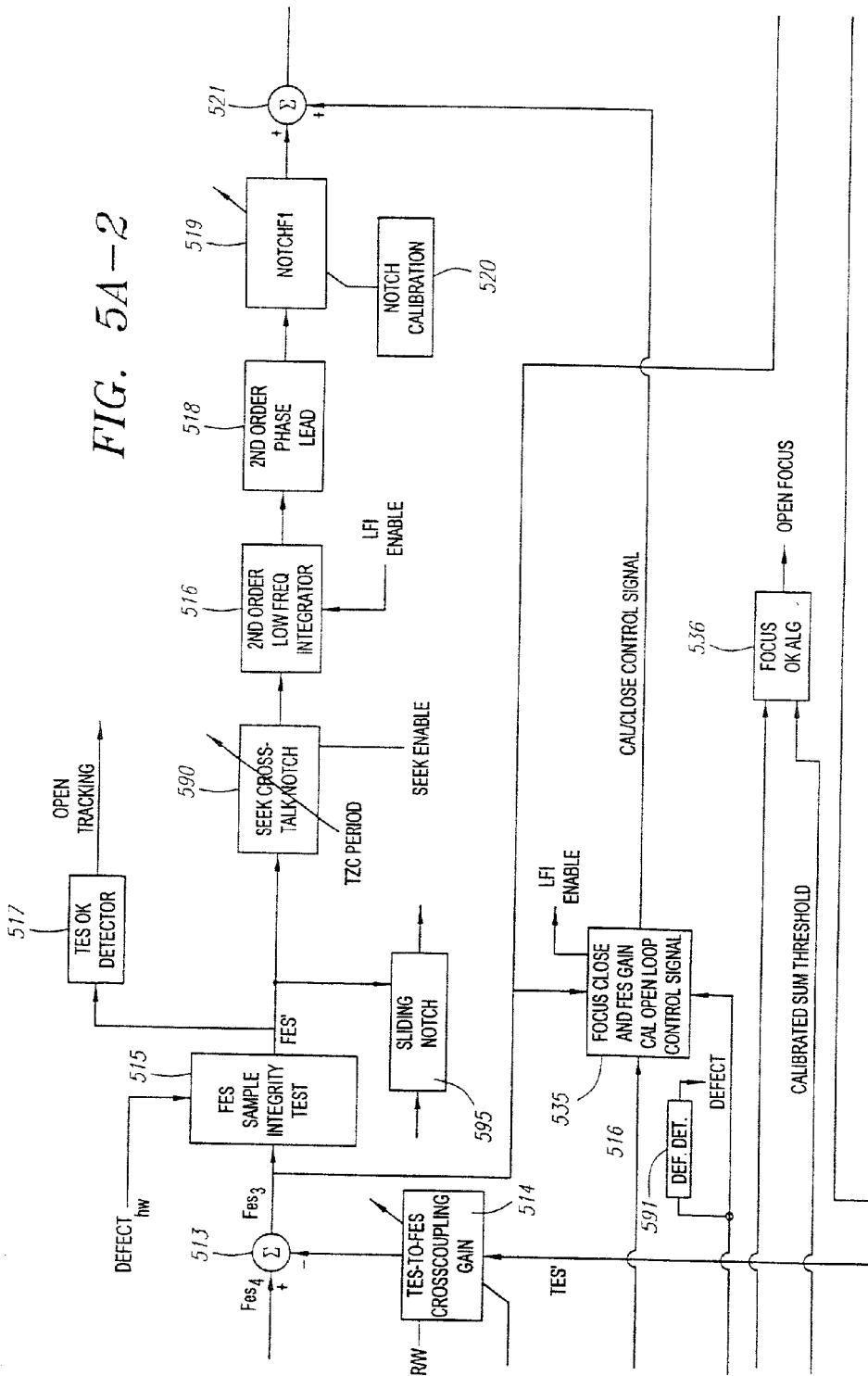


FIG. 5A-3

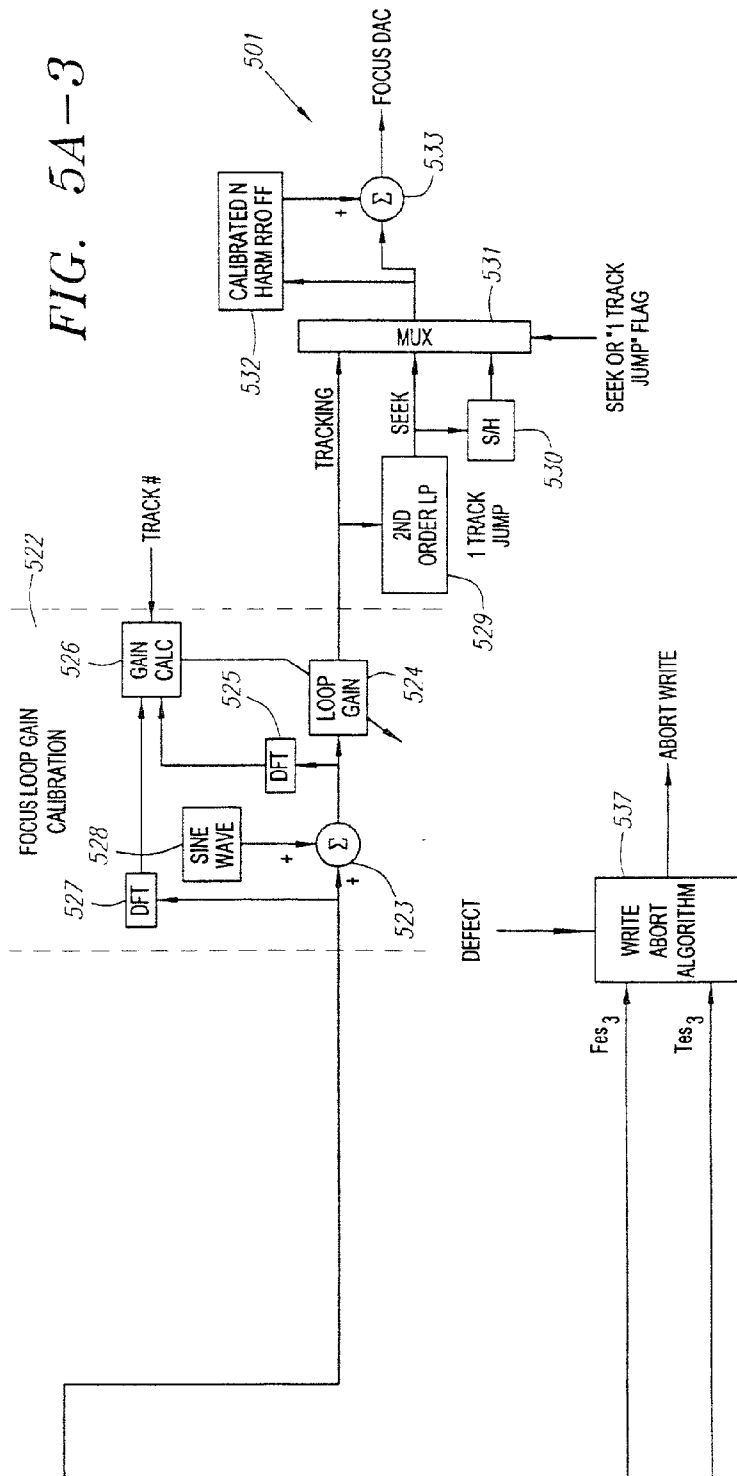


FIG. 5B-1

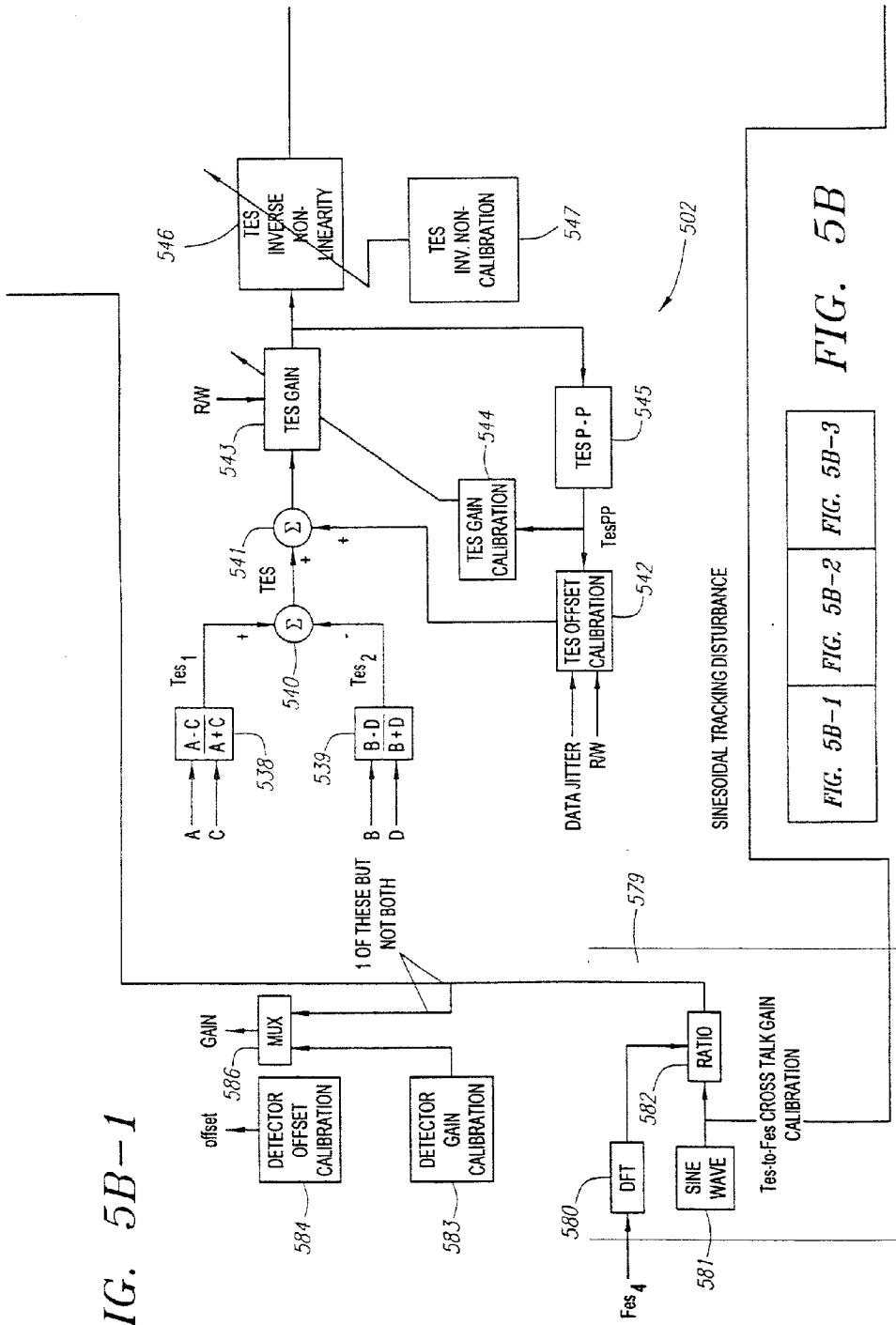


FIG. 5B

FIG. 5B-1 FIG. 5B-2 FIG. 5B-3

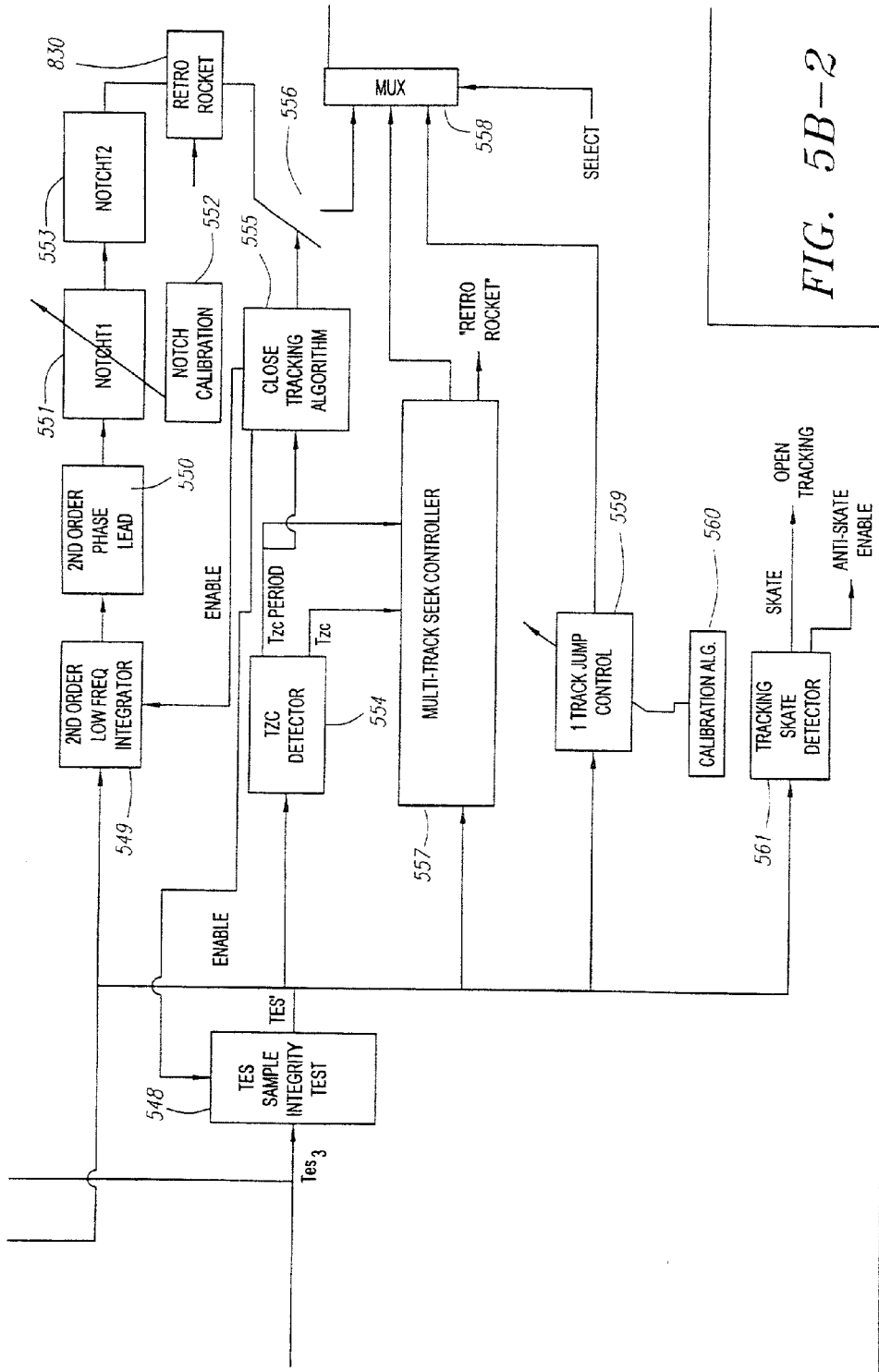
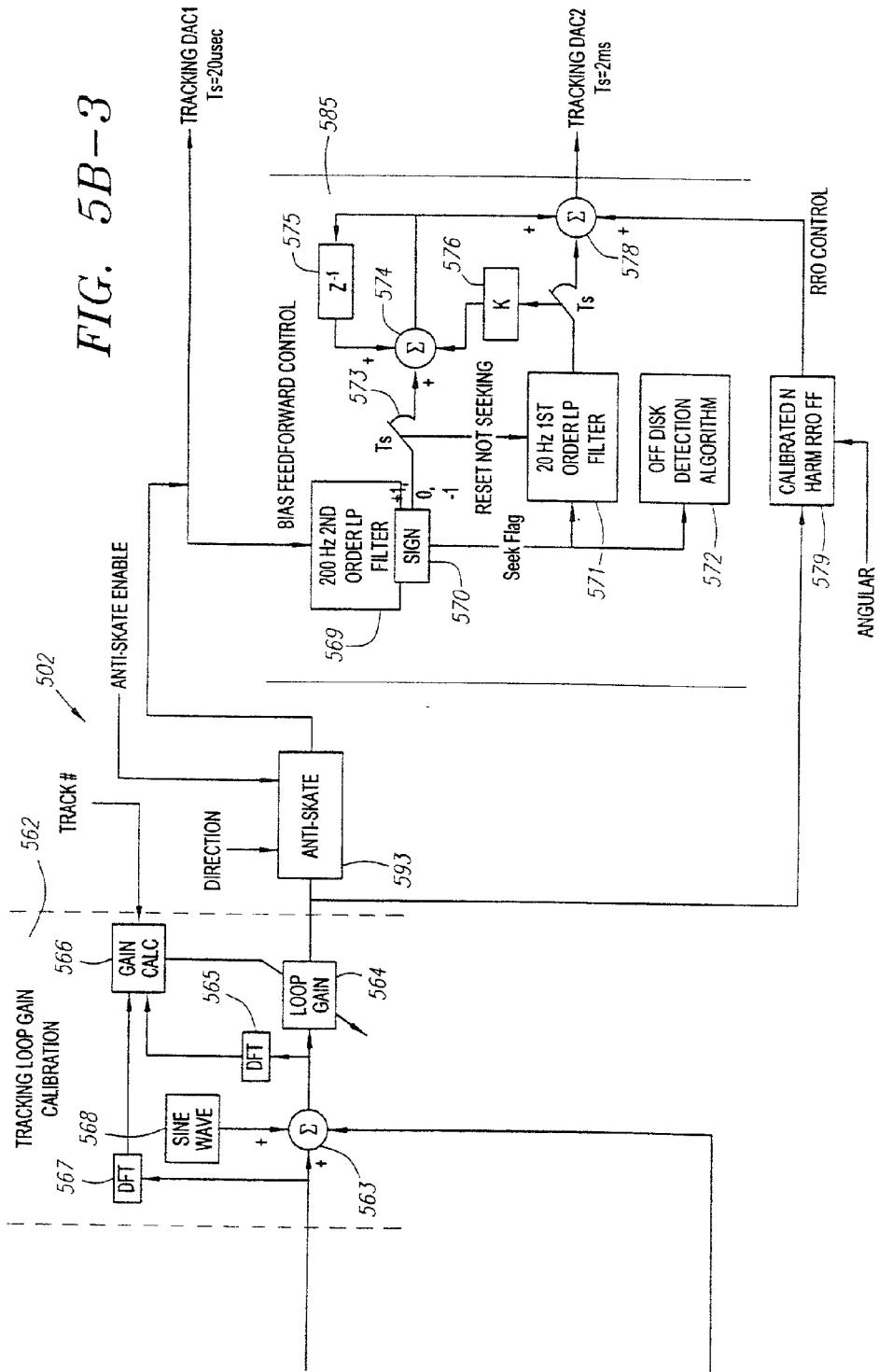


FIG. 5B-2

FIG. 5B-3



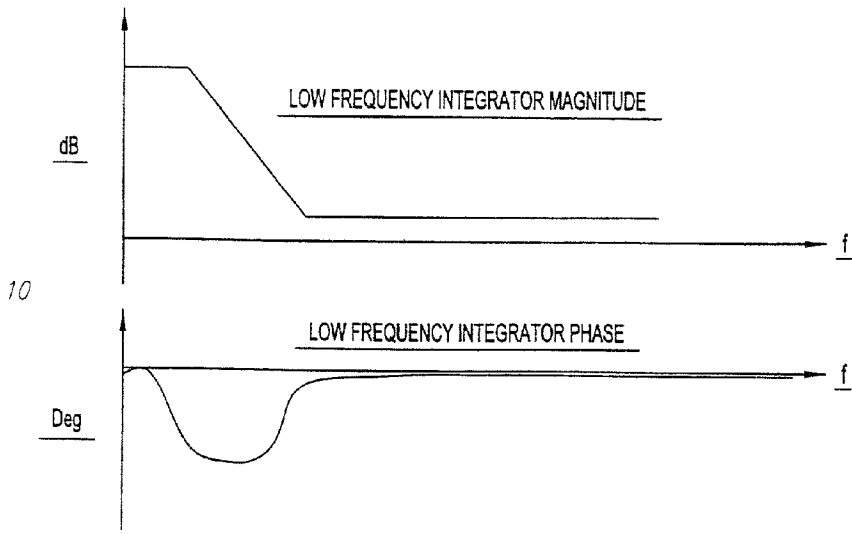


FIG. 5C

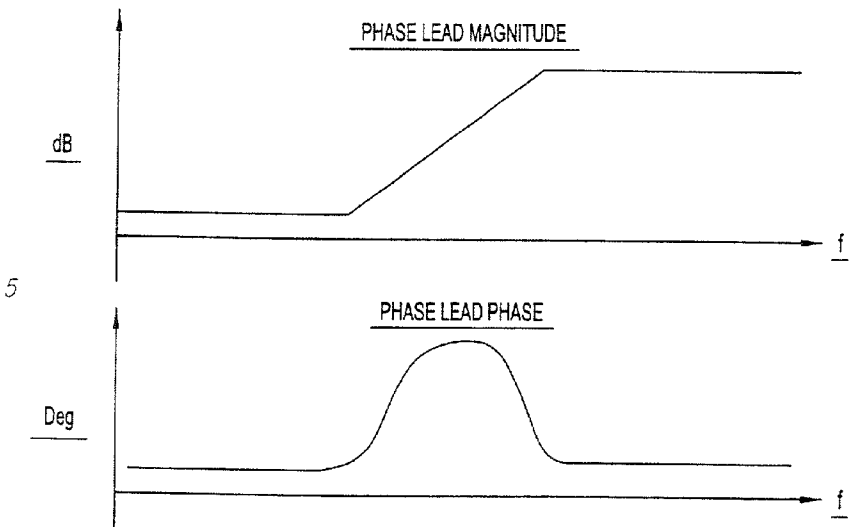


FIG. 5D

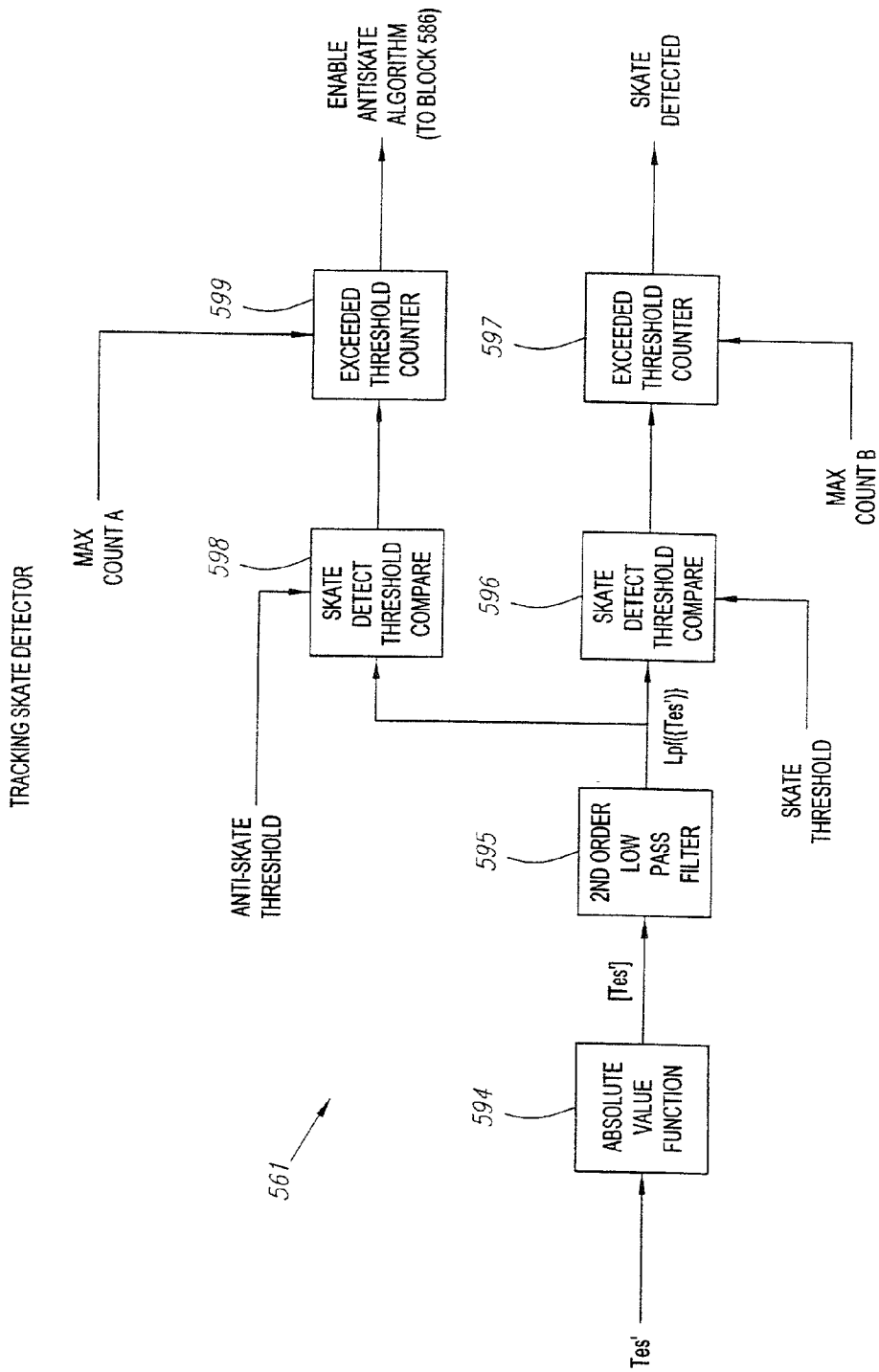


FIG. 5E

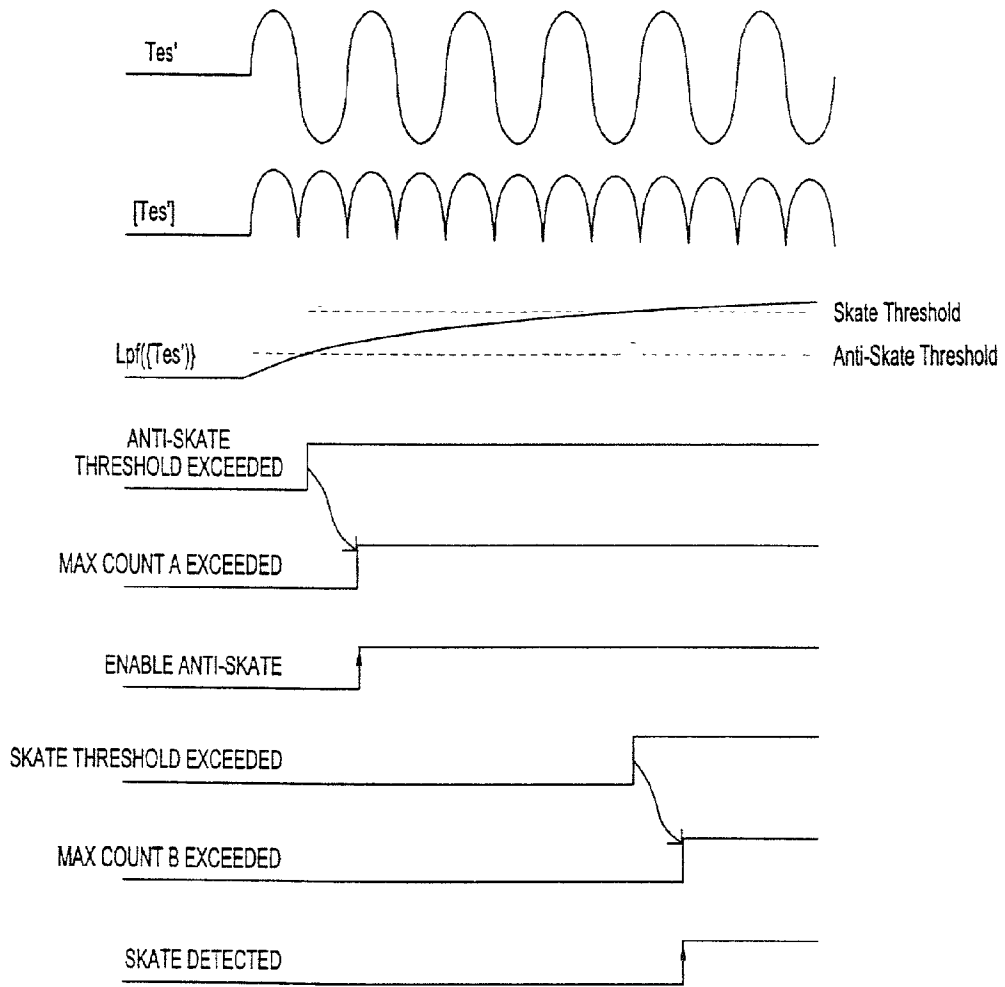


FIG. 5F

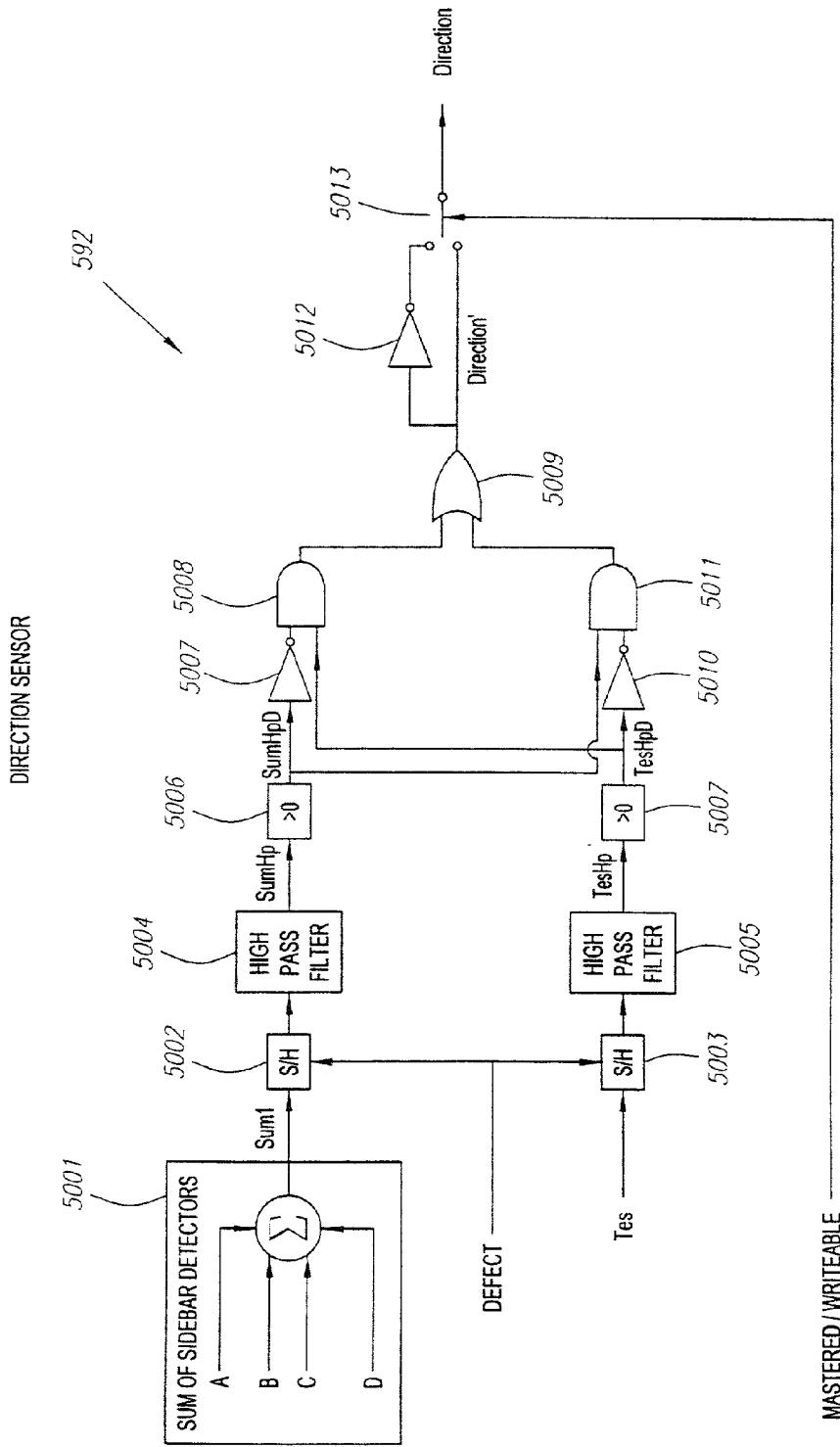


FIG. 5G

MASTERED / WRITEABLE

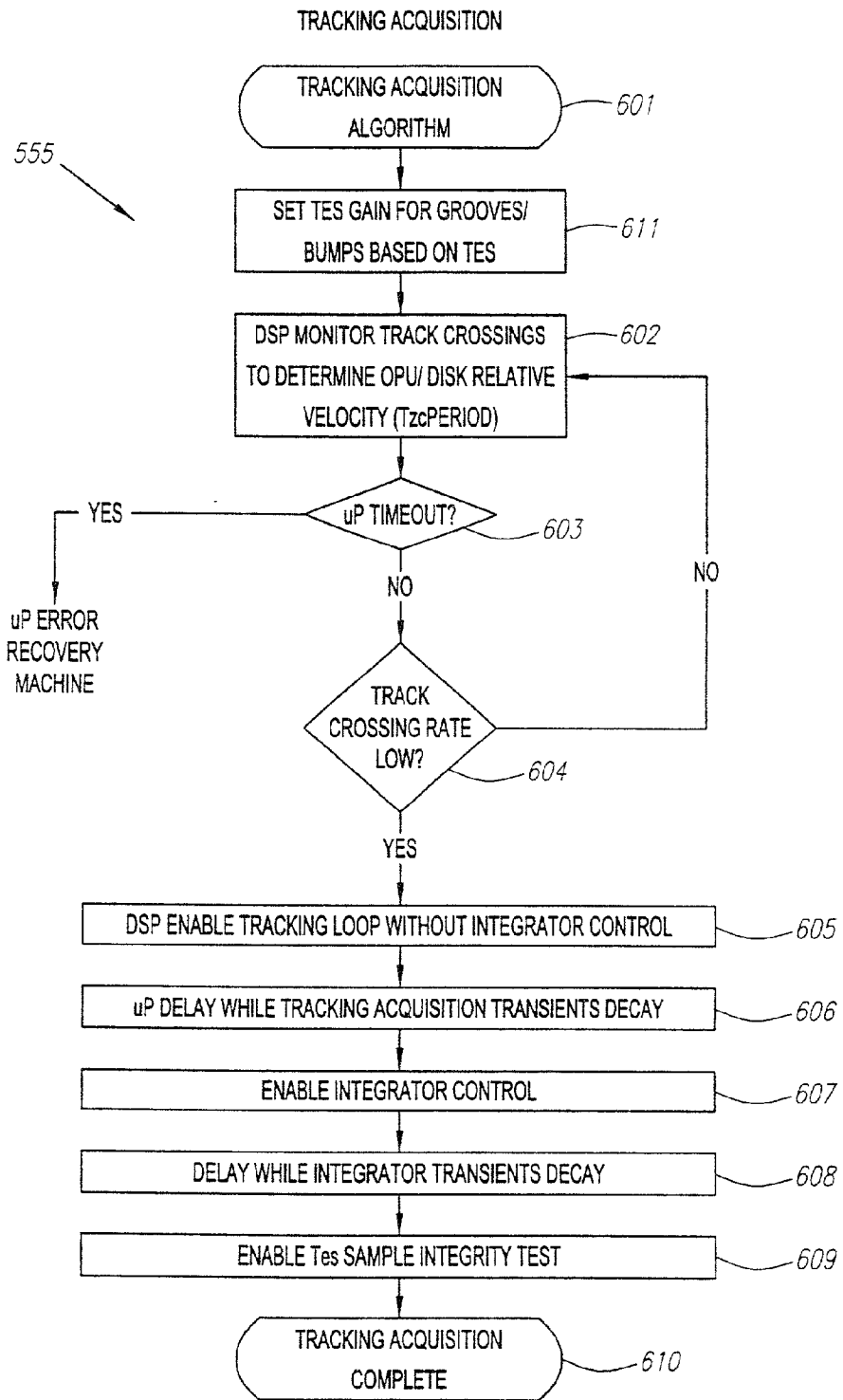


FIG. 6

FIG. 7A-1

FOCUS ACQUISITION

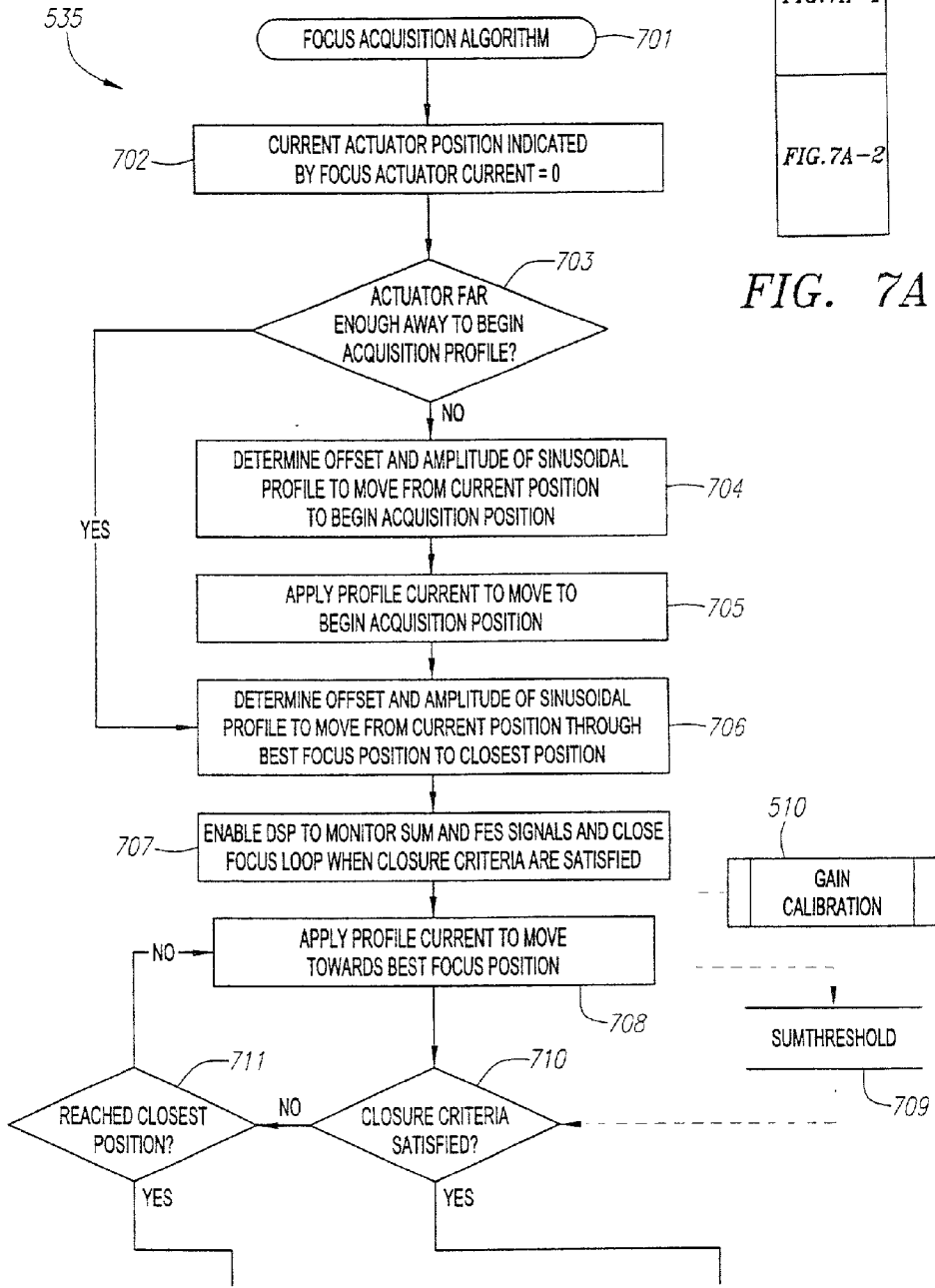


FIG. 7A-1

FIG. 7A-2

FIG. 7A

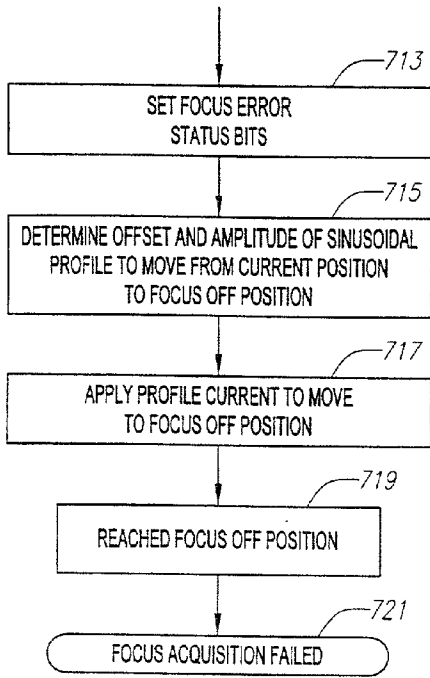


FIG. 7A-2

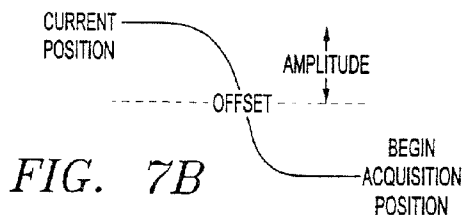
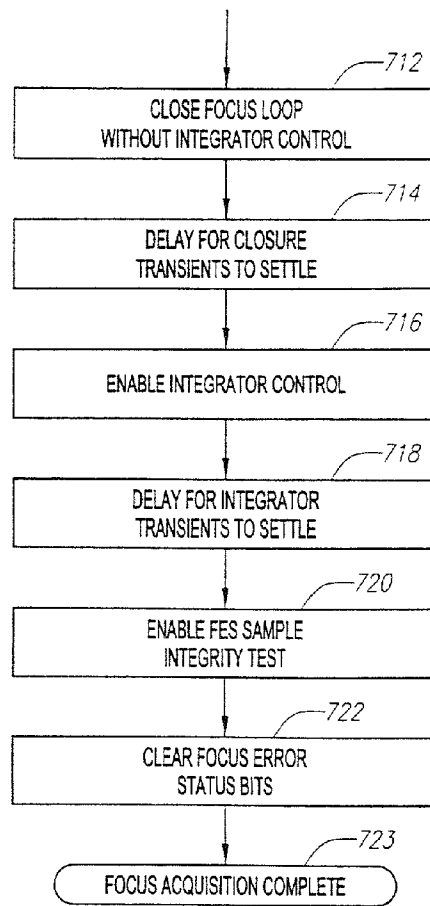


FIG. 7B

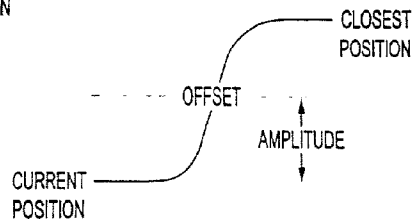


FIG. 7C

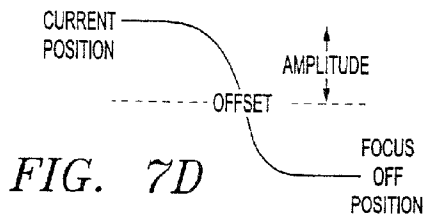
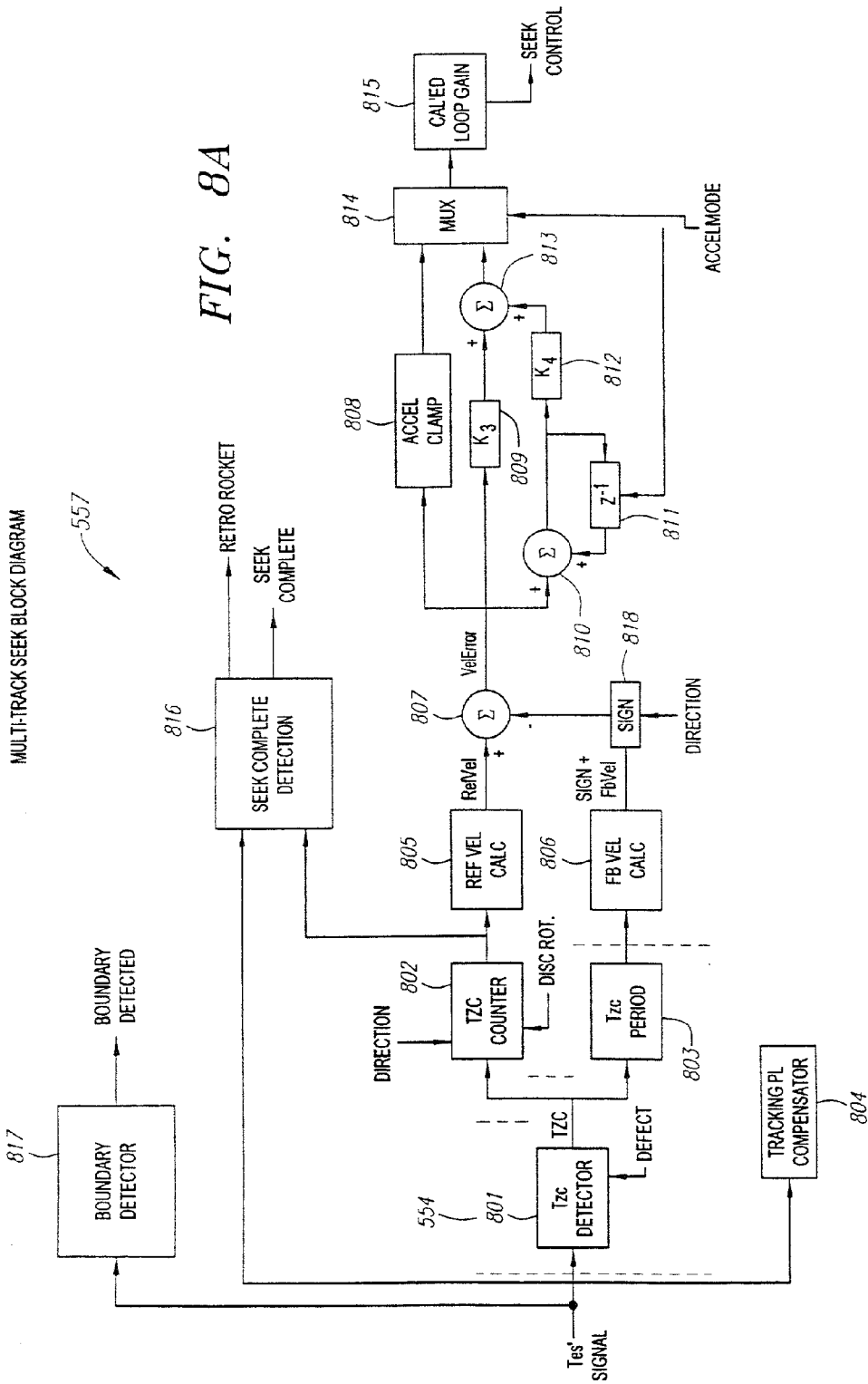


FIG. 7D



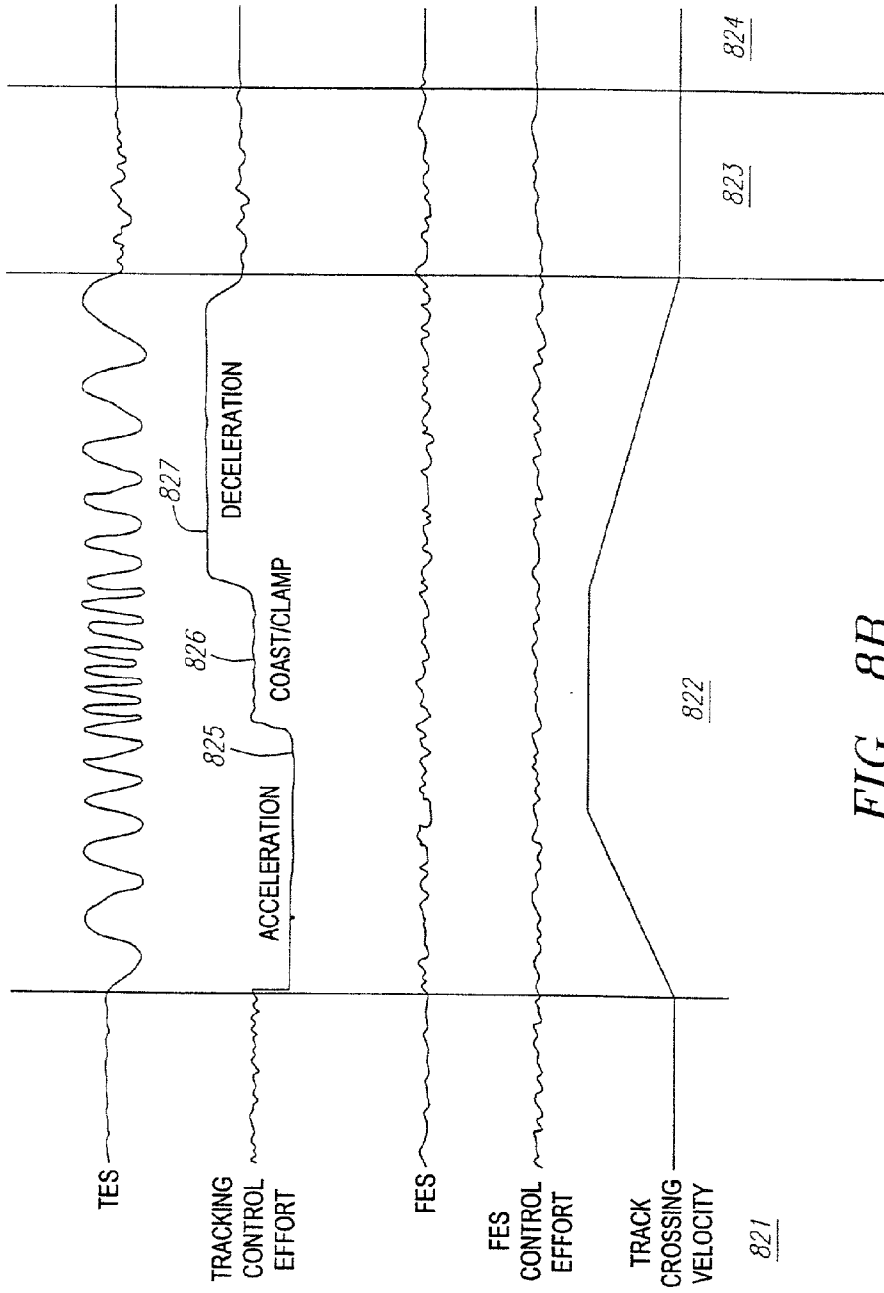


FIG. 8B

FIG. 9A-1

MULTI-TRACK
SEEK FLOW CHART

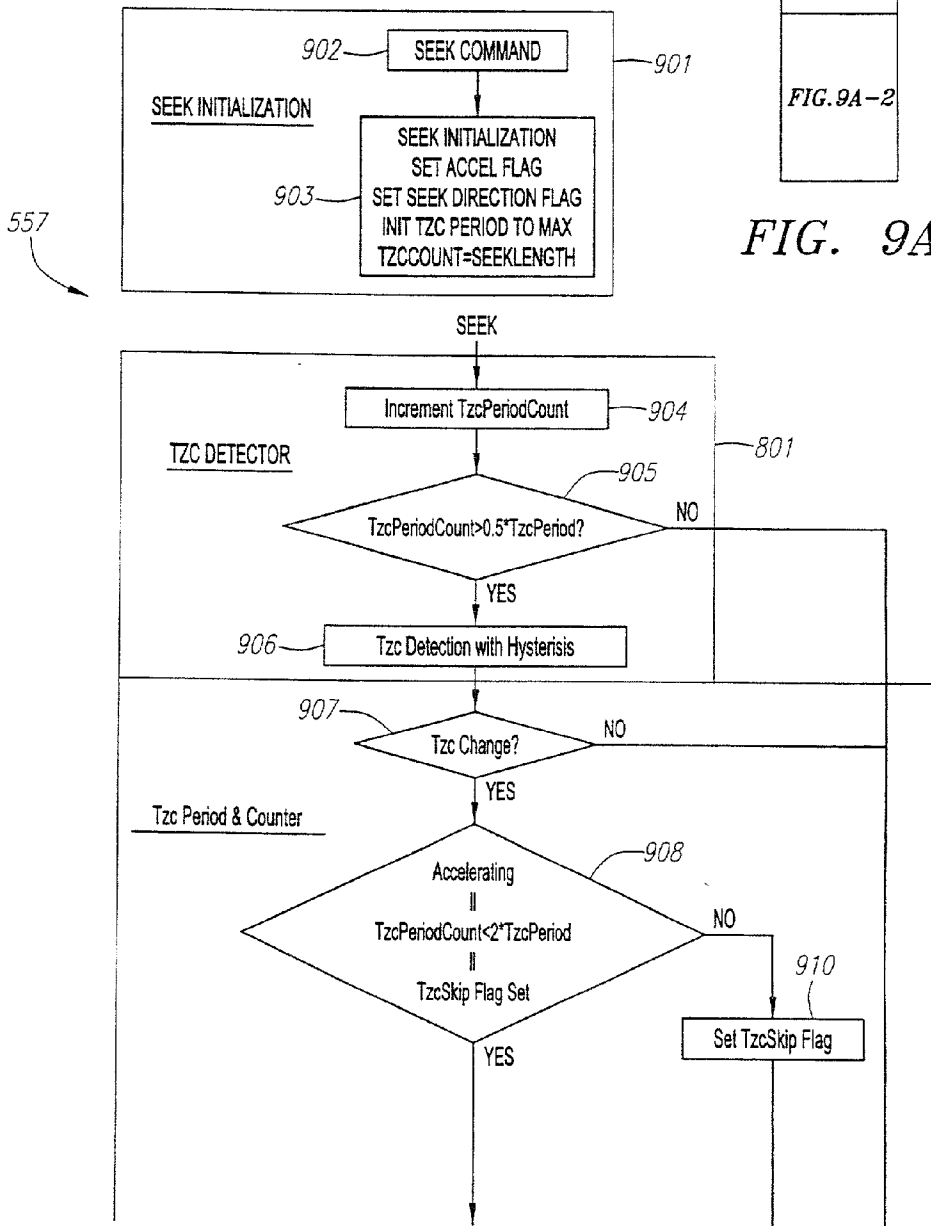
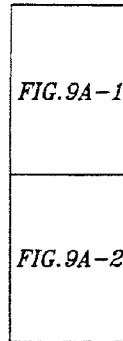


FIG. 9A

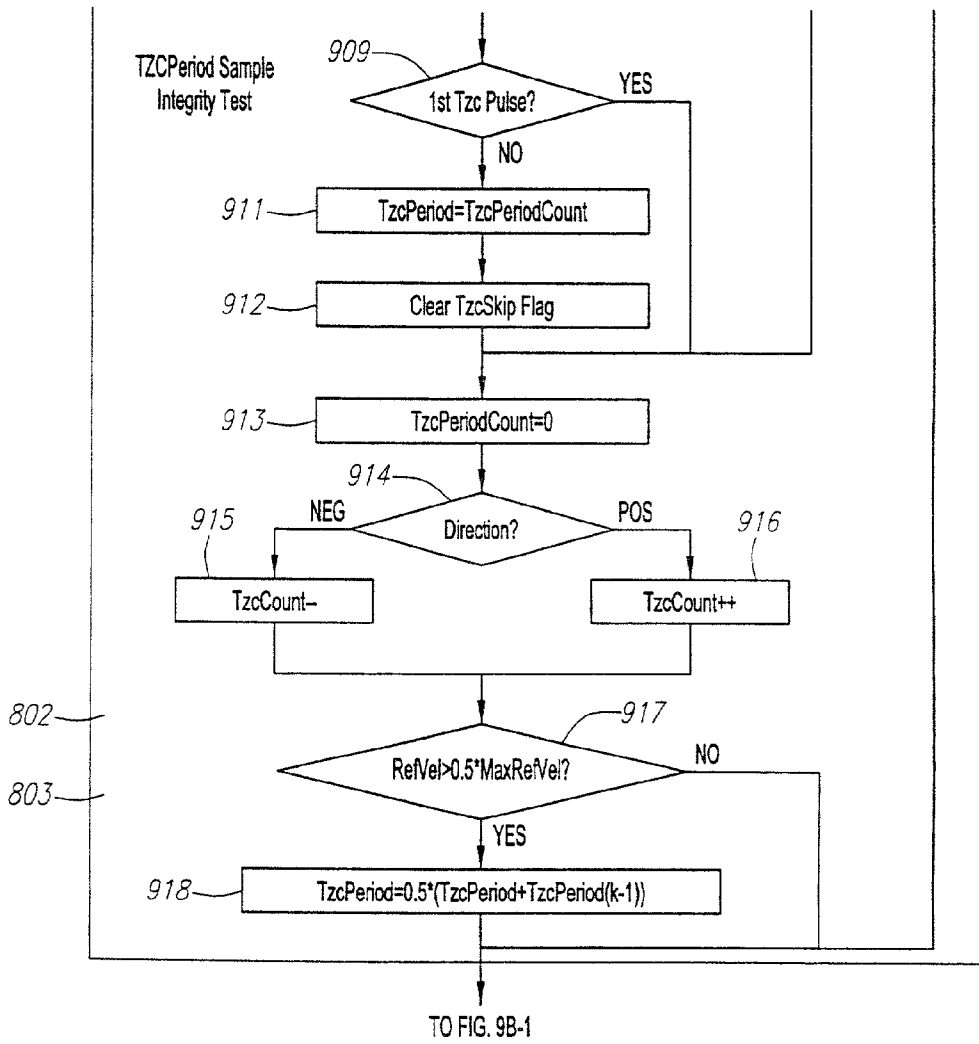
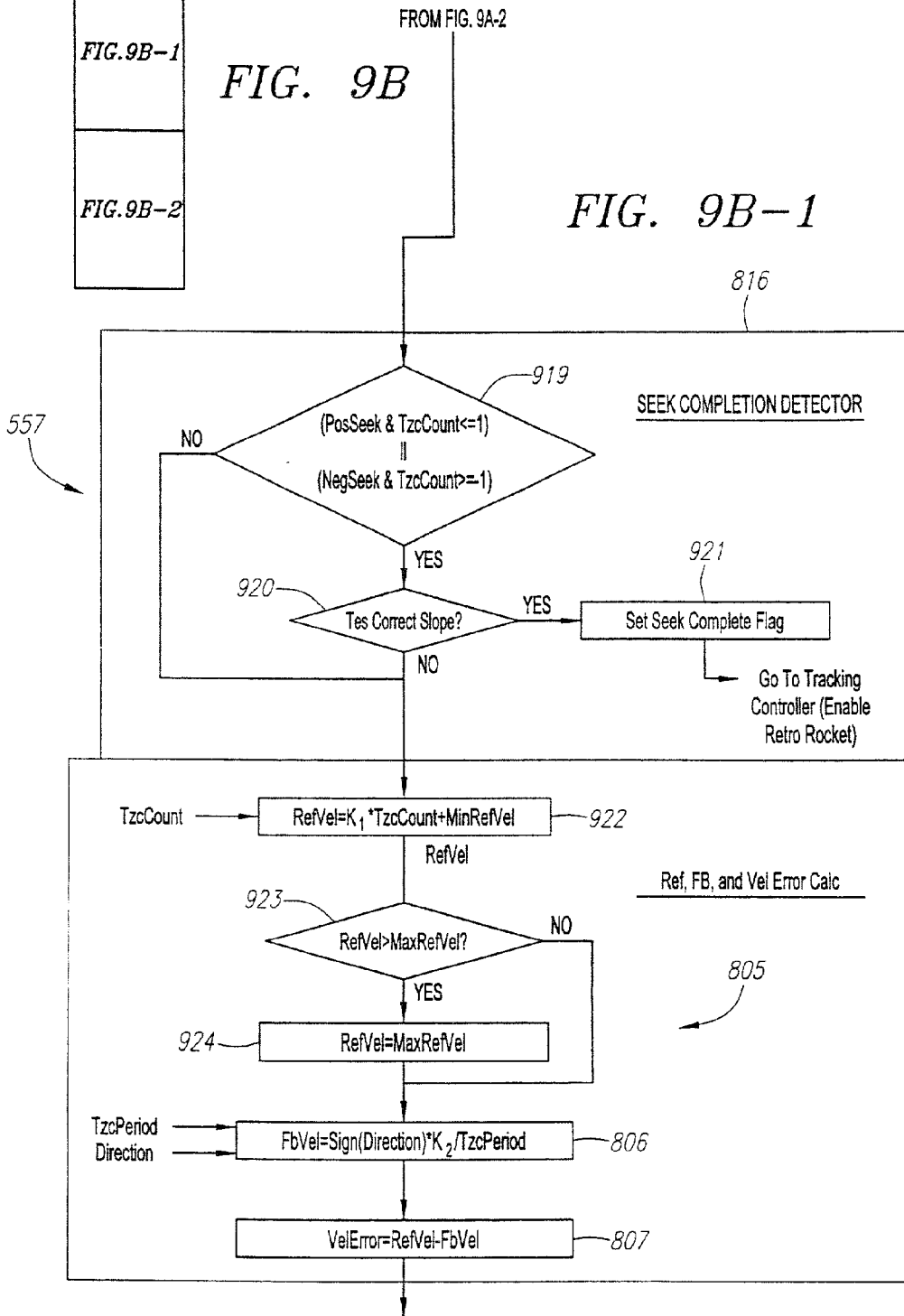


FIG. 9A-2

FIG. 9B-1
 FIG. 9B-2

FIG. 9B

FIG. 9B-1



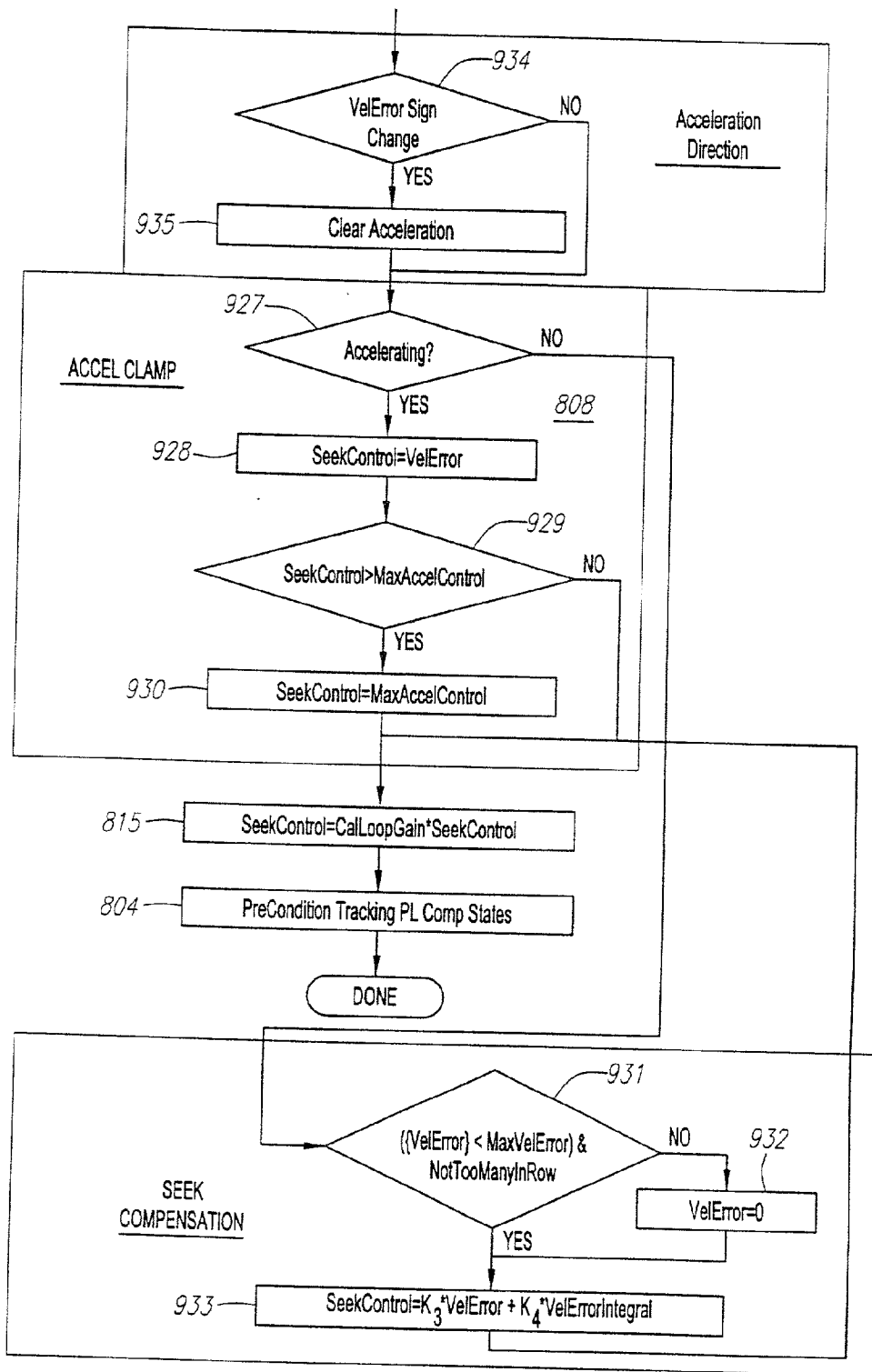


FIG. 9B-2

TZC DETECTION WITH AMPLITUDE HYSTERESIS AND TIME WINDOW BLANKING

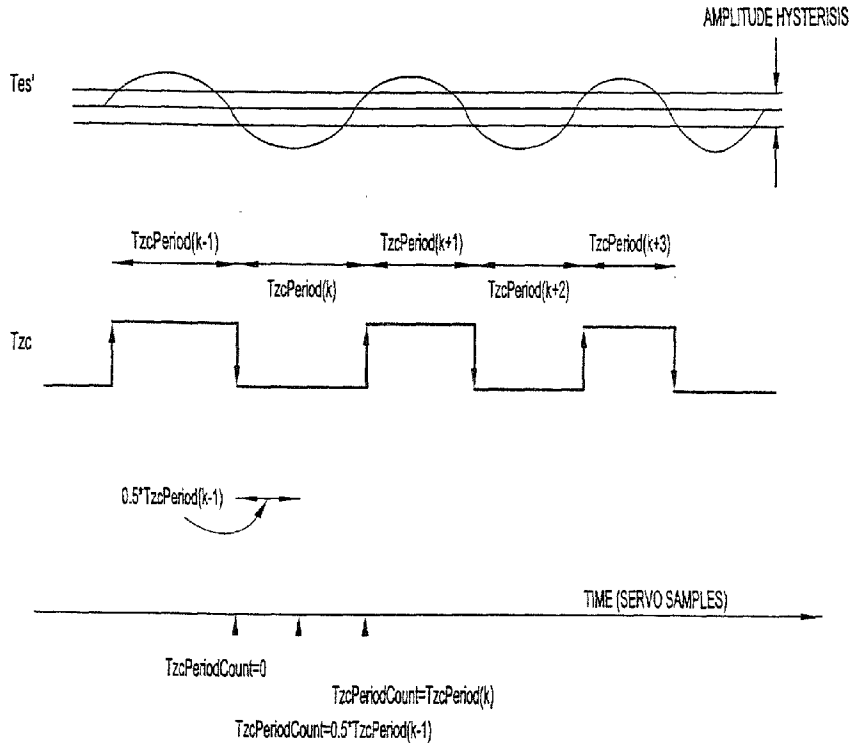


FIG. 9C

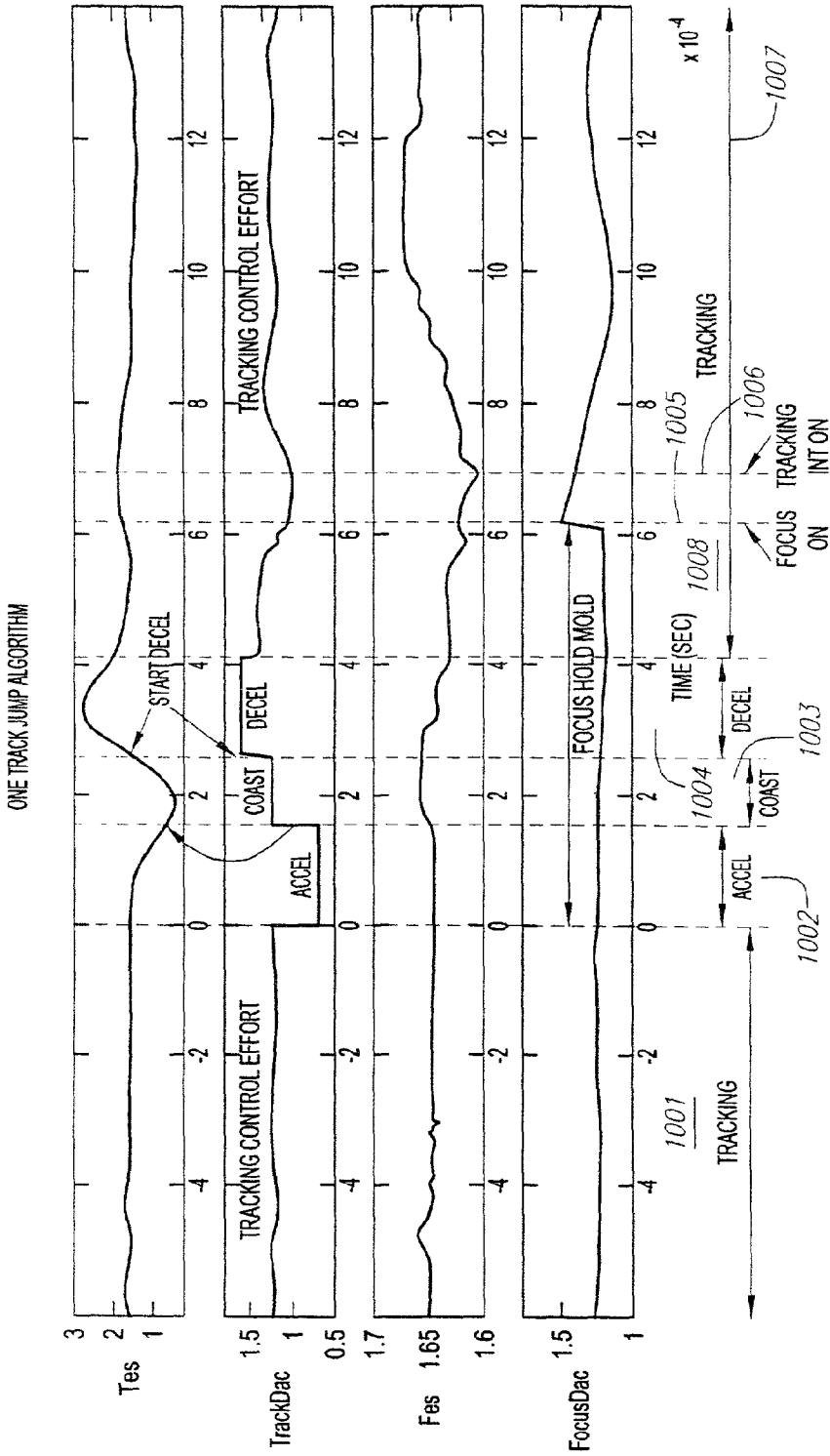


FIG. 10A

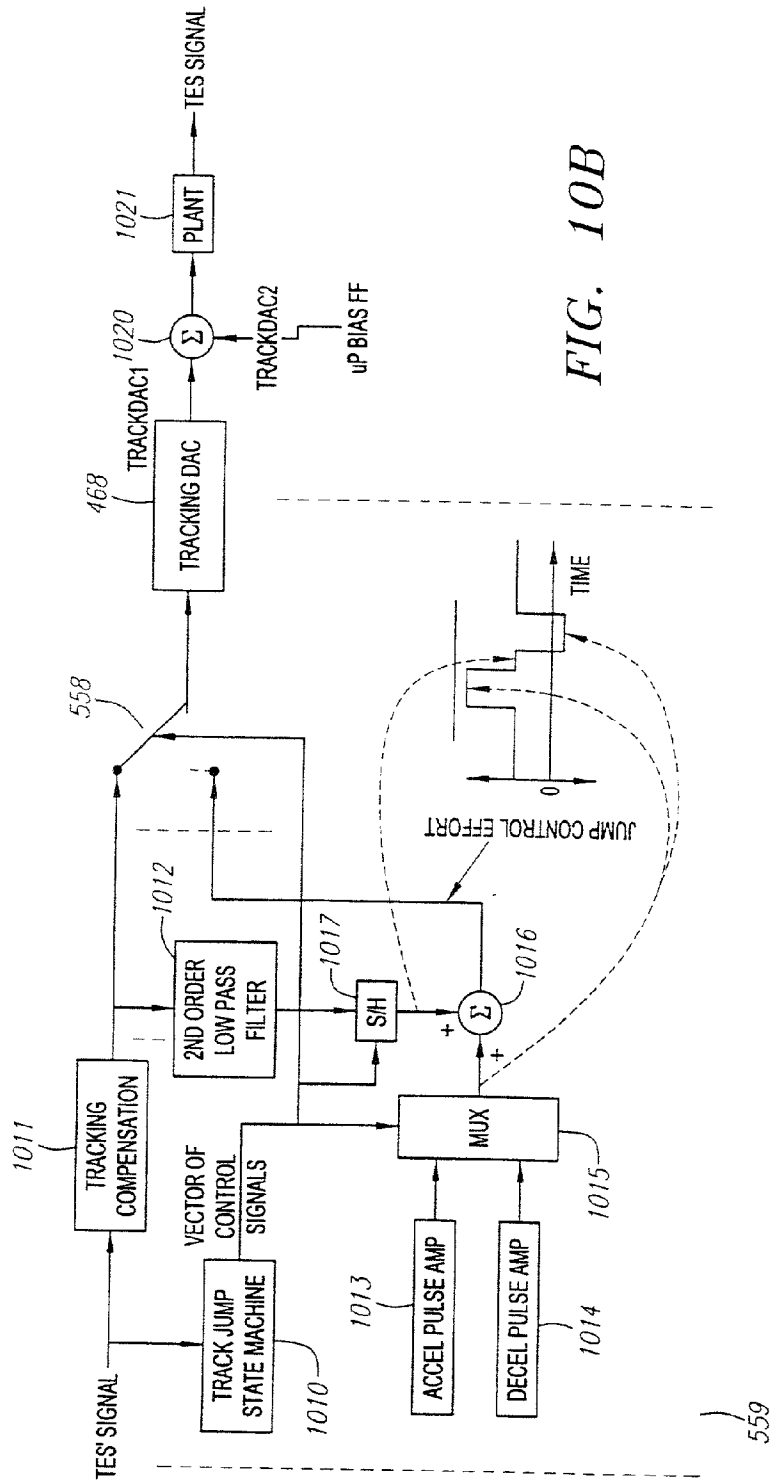


FIG. 10B

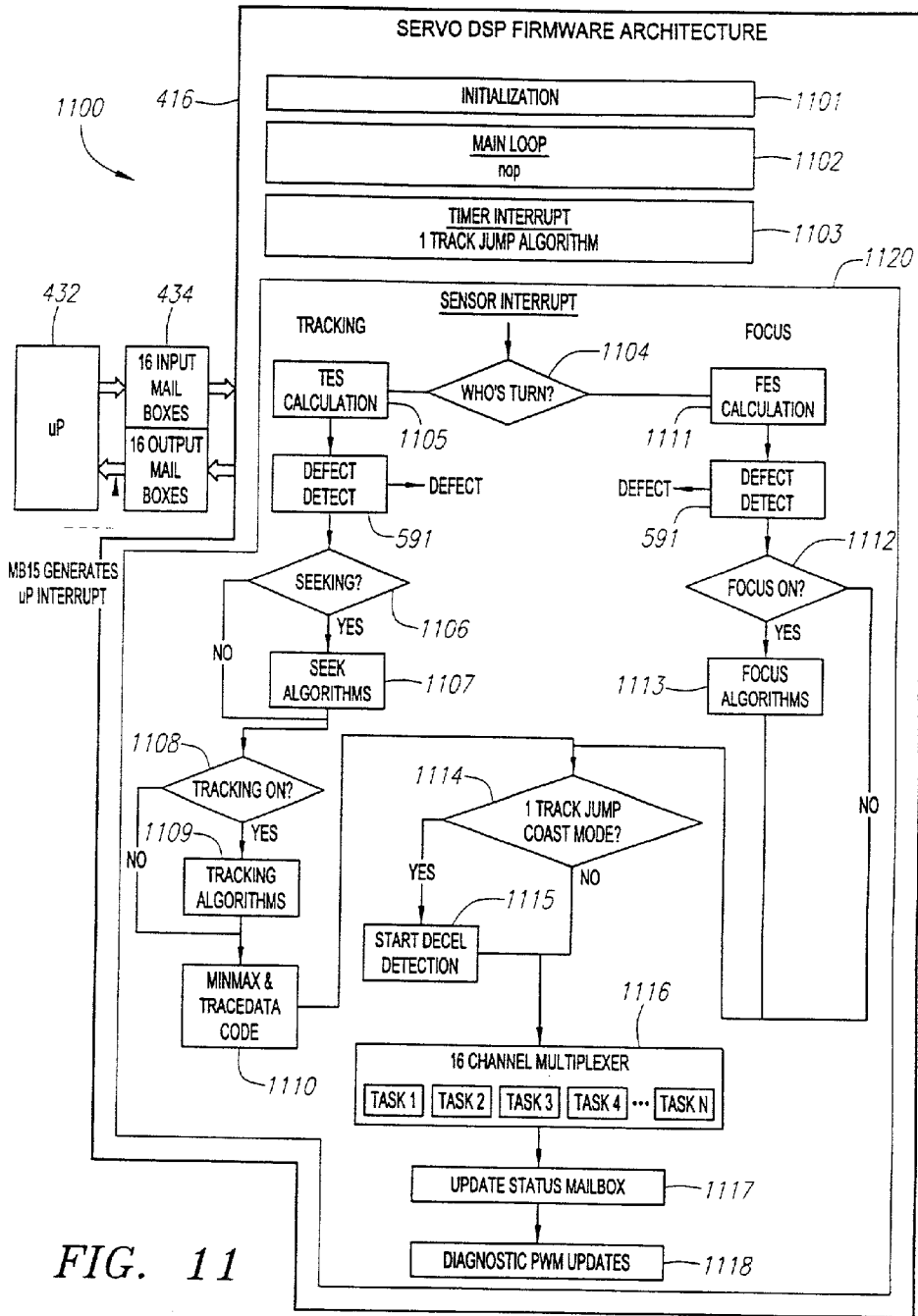


FIG. 11

FOCUS SERVO SYSTEM WITH A SLIDING NOTCH FILTER

RELATED APPLICATIONS

[0001] This application is related to provisional application Ser. No. 60/264,351, entitled "Optical Disk Drive Servo System," by Ron J. Kadlec, Christopher J. Turner, Hans B. Wach, and Charles R. Watt, from which this application claims priority, herein incorporated by reference in its entirety.

CROSS-REFERENCE TO CD-ROM APPENDIX

[0002] CD-ROM Appendix A, which is a part of the present disclosure, is a CD-ROM appendix consisting of twenty two (22) text files. CD-ROM Appendix A is a computer program listing appendix that includes a software program executable on a controller as described below. The total number of compact disks including duplicates is two. Appendix B, which is part of the present specification, contains a list of the files contained on the compact disk. The attached CD-ROM Appendix A is formatted for an IBM-PC operating a Windows operating system.

[0003] A portion of the disclosure of this patent document contains material which is subject to copyright protection. The copyright owner has no objection to the facsimile reproduction by anyone of the patent document or the patent disclosure, as it appears in the Patent and Trademark Office patent files or records, but otherwise reserves all copyright rights whatsoever.

[0004] These and other embodiments are further discussed below.

BACKGROUND

[0005] 1. Field of the Invention

[0006] The present invention relates to an optical disk drive and, in particular, to a focus servo system in an optical disk drive with a sliding notch filter.

[0007] 2. Discussion of Related Art

[0008] The need for compact data storage is explosively increasing. The explosive increase in demand is fueled by the growth of multimedia systems utilizing text, video, and audio information. Furthermore, there is a large demand for highly portable, rugged, and robust systems for use as multimedia entertainment, storage systems for PDA's, cell phones, electronic books, and other systems. One of the more promising technologies for rugged, removable, and portable data storage is WORM (write once read many) optical disk drives.

[0009] One of the important factors affecting design of an optical system (such as that utilized in a WORM drive) is the optical components utilized in the system and the control of actuators utilized to control the optical system on the disk. The optical system typically includes a laser or other optical source, focusing lenses, reflectors, optical detectors, and other components. Although a wide variety of systems have been used or proposed, typical previous systems have used optical components that were sufficiently large and/or massive that functions such as focus and/or tracking were performed by moving components of the optical system. For example, some systems move the objective lens (e.g. for

focus) relative to the laser or other light source. It was generally believed that the relatively large size of the optical components was related to the spot size, which in turn was substantially dictated by designs in which the data layer of a disk was significantly spaced from the physical surface of the disk. A typical optical path, then, passed through a disk substrate, or some other portion of the disk, typically passing through a substantial distance of the disk thickness, such as about 0.6 mm or more, before reaching a data layer.

[0010] Regardless of the cause being provided for relative movement between optical components, such an approach, while perhaps useful for accommodating relatively large or massive components, presents certain disadvantages for more compact usage. These disadvantages include a requirement for large form factors, the cost associated with establishing and maintaining optical alignment between components which must be made moveable with respect to one another, and the power required to perform operations on more massive drive components. Such alignment often involves manual and/or individual alignment or adjustment procedures which can undesirably increase manufacturing or fabrication costs for a reader/writer, as well as contributing to costs of design, maintenance, repair, and the like.

[0011] Many early optical disks and other optical storage systems provided relatively large format read/write devices including, for example, devices for use in connection with 12 inch (or larger) diameter disks. As optical storage technologies have developed, however, there has been increasing attention toward providing feasible and practical systems which are of relatively smaller size. Generally, a practical read/write device must accommodate numerous items within its form factor, including the media, media cartridge (if any), media spin motor, power supply and/or conditioning, signal processing, focus, tracking or other servo electronics, and components associated or affecting the laser or light beam optics. Accordingly, in order to facilitate a relatively small form-factor, an optical head occupying small volume is desirable. In particular, it is desirable that the optical head have a small dimension in the direction perpendicular to the surface of the spinning media. Additionally, a smaller, more compact, optical head provides numerous specific problems for electronics designed to control the position and focus of the optical head.

[0012] Additionally, although larger home systems have little concern regarding power usage, portable personal systems should be low power devices. Therefore, it is also important to have a system that conserves power (e.g., by optically overfilling lenses) in both the optical system and the electronic controlling system.

[0013] Therefore, there is a need for an optical head and optical media drive system with a small form factor and, in addition, a servo system for controlling the optical head and optical drive system so that data can be reliably read from and written to the optical media.

SUMMARY

[0014] In accordance with the present invention, a sliding notch filter is provided in a focus servo system during a multi-track seek algorithm. The sliding notch filter can reduce the effects of optical cross-talk from TES into FES. The optical disk drive system includes a spin motor on which an optical media is positioned, an optical pick-up unit

positioned relative to the optical media, an actuator arm that controls the position of the optical pick-up unit, and a control system for controlling the spin motor, the actuator arm, and the laser. The control system can include a read/write channel coupled to provide control signals to a servo system.

[0015] The optical media can be a relatively small-sized disk with readable data present on the surface of the disk. Furthermore, the optical disk may have a pre-mastered portion and a writeable portion. The pre-mastered portion is formed when the disk is manufactured and contains readable data such as, for example, audio, video, text or any other data that a content provider may wish to include on the disk. The writeable portion is left blank and can be written by the disk drive to contain user information (e.g., user notes, interactive status (for example in video games), or other information that the drive or user may write to the disk). Because there may be optical differences, for example in reflectivity, and in the data storage and addressing protocols between the pre-mastered portion of the disk and the writeable portion of the disk, a control system according to the present invention may have different operating parameters in the different areas of the disk.

[0016] The optical pick-up unit can include a light source, reflectors, lenses, and detectors for directing light onto the optical media. The detectors can include laser power feed-back detectors as well as data detectors for reading data from the optical media. The optical pick-up unit can be mechanically mounted on the actuator arm. The actuator arm includes a tracking actuator for controlling lateral movement across the optical media and a focus actuator for controlling the position of the optical pick-up unit above the optical medium. The tracking and focus actuators of the optical pick-up unit are controlled by the controller.

[0017] The servo system includes various servo loops for controlling the operation of aspects of the optical disk drive, for example the spin motor, the optical pick-up unit, and the controller. The servo loops, for example, can include combinations of a tracking servo loop and a focus servo loop.

[0018] A method of providing a focus control signal during a multi-track seek operation according to the present invention includes receiving optical signals from detectors in an optical pick-up unit; calculating a focus error signal from the optical signals; filtering the focus error signal with a notch filter with a center frequency dependent on a seek reference velocity from the multi-track seek operation to form a filtered error signal; and calculating the focus control signal from the filtered error signal during the multi-track seek operation. In some embodiments, the seek reference velocity varies from about 2 kHz to about 10 kHz. In some embodiments, the center frequency is equal to the seek reference velocity.

[0019] An optical disk drive according to the present invention includes an optical pick-up unit; an analog processor coupled to receive signals from detectors in the optical pick-up unit and provide digital signals; at least one processor coupled to receive the digital signals, the at least one processor calculating a control signal; and a driver coupled to control a position of the optical pick-up unit in response to the control signal. The at least one processor executes an algorithm during a multi-track seek operation

that receives optical signals from detectors in an optical pick-up unit, calculates a focus error signal from the optical signals, filters the focus error signal with a notch filter with a center frequency dependent on a seek reference velocity from the multi-track seek operation to form a filtered error signal, and calculates the focus control signal from the filtered error signal during the multi-track seek operation.

[0020] These and other embodiments of the invention are further described below with respect to the following figures.

SHORT DESCRIPTION OF THE FIGURES

[0021] FIG. 1A shows an embodiment of an optical drive according to the present invention.

[0022] FIG. 1B shows an example of an optical media that can be utilized with an optical drive according to the present invention.

[0023] FIG. 2A shows an embodiment of an optical pickup unit mounted on an actuator arm according to some embodiments of the present invention.

[0024] FIGS. 2B shows an embodiment of an optical pick-up unit according to some embodiments of the present invention.

[0025] FIG. 2C illustrates the optical path through the optical pick-up unit of FIG. 2B.

[0026] FIG. 2D shows an embodiment of optical detector positioning of the optical pick-up unit of FIG. 2B.

[0027] FIGS. 2E and 2F show simplified optical paths as shown in FIG. 2C.

[0028] FIGS. 2G, 2H, 2I, 2J, 2K and 2L illustrate development of a focus error signal (FES) as a function of distance between the optical pick-up unit and the surface of the optical media in some embodiments of the present invention.

[0029] FIGS. 2M, 2N, 2O, 2P, 2Q, and 2R illustrate development of a tracking error signal (TES) as a function of position of the optical pick-up unit over the surface of the optical media in some embodiments of the present invention.

[0030] FIG. 3A shows a block diagram of a servo system control system of an optical drive according to some embodiments of the present invention.

[0031] FIG. 3B shows a block diagram of a preamp of FIG. 3A.

[0032] FIG. 4 shows a block diagram of an embodiment of the controller chip shown in the block diagram of FIG. 3A according to some embodiments of the present invention.

[0033] FIGS. 5A and 5B show a function block diagram of embodiments of a focus and tracking servo algorithms according to some embodiments of the present invention.

[0034] FIG. 5C shows an example transfer function for a low frequency integrator as shown in FIGS. 5A and 5B.

[0035] FIG. 5D shows an example transfer function for a phase lead as shown in FIGS. 5A and 5B.

[0036] FIG. 5E and 5F shows an example of a tracking skate detector according to some embodiments of the present invention.

[0037] FIG. 5G shows an embodiment of a direction sensor according to some embodiments of the present invention.

[0038] FIG. 6 shows an embodiment of a tracking acquisition algorithm executed with the algorithms shown in FIGS. 5A and 5B.

[0039] FIGS. 7A, 7B, 7C, and 7D show an embodiment of a focus acquisition algorithm executed with the algorithms shown in FIGS. 5A and 5B according to some embodiments of the present invention.

[0040] FIGS. 8A and 8B shows an embodiment of a multi-track seek algorithm according to some embodiments of the present invention.

[0041] FIGS. 9A and 9B show an embodiment of a multi-track seek algorithm executed with the algorithms illustrated in the functional block diagram shown in FIGS. 8A and 8B in some embodiments of the present invention.

[0042] FIG. 9C illustrates the temporal hysteresis and amplitude hysteresis of tracking zero cross detection of FIGS. 9A and 9B.

[0043] FIGS 10A and 10B show demonstrative control signals and a block diagram of a one-track jump algorithm of FIGS. 5A and 5B according to some embodiments of the present invention.

[0044] FIG. 11 shows an embodiment of the DSP firmware architecture for controlling and monitoring focus and tracking according to some embodiments of the present invention.

[0045] In the figures, elements having the same designation in multiple figures have the same or similar functions.

DETAILED DESCRIPTION OF THE FIGURES

[0046] The present disclosure was co-filed with the following sets of disclosures: the "Tracking and Focus Servo System" disclosures, the "Servo System Calibration" disclosures, the "Spin Motor Servo System" disclosures, and the "System Architecture" disclosures; each of which was filed on the same date and assigned to the same assignee as the present disclosure, and are incorporated by reference herein in their entirety. The Tracking and Focus Servo System disclosures include U.S. Disclosure Serial Nos. {Attorney Docket Numbers M-11095 US, M-12077 US, M-12078 US, M-12079 US, M-12080 US, M-12081 US, M-12082 US, M-12083 US, M-12084 US, M-12085 US, M-12086 US, M-12087 US, M-12088 US, M-12089 US, M-12090 US, M-12091 US, M-12092 US, M-12093 US, M-12104 US, M-12105 US, M-12106 US, M-12107 US, M-12108 US, M-12111 US, M-12112 US, and M-12195 US.} The Servo System Calibration disclosures include U.S. Disclosure Serial Nos. {Attorney Docket Numbers M-11097 US, M-12094 US, M-12095 US, M-12096 US, M-12097 US, M-12098 US, M-12099 US, M-12100 US, M-12101 US, M-12102 US, M-12103 US, M-12109 US, and M-12110 US.} The Spin Motor Servo System disclosures include U.S. Disclosure Serial Nos. {Attorney Docket Numbers M-12117 US, M-12118 US, M-12119 US, M-11096

US, M-12121 US, M-12122 US, and M-12147 US.} The System Architecture disclosures include U.S. Disclosure Serial Nos. {Attorney Docket Numbers M-11098 US, M-12023 US, M-12024 US, M-12025 US, M-12026 US, M-12027 US, M-12028 US, M-12029 US, M-12030 US, M-12031 US, M-12032 US, M-12120 US, and M-12177 US.}

Example of an Optical Disk Drive

[0047] FIG. 1A shows an embodiment of an optical drive 100 according to the present invention. Optical drive 100 of FIG. 1A includes a spindle motor 101 on which an optical media 102 is mounted. Drive 100 further includes an optical pick-up unit (OPU) 103 mechanically controlled by an actuator arm 104. OPU 103 includes a light source electrically controlled by laser driver 105. OPU 103 further includes optical detectors providing signals for controller 106. Controller 106 can control the rotational speed of optical media 102 by controlling spindle motor 101, controls the position and orientation of OPU 103 through actuator arm 104, and controls the optical power of the light source in OPU 103 by controlling laser driver 105.

[0048] Controller 106 includes R/W processing 110, servo system 120, and interface 130. R/W processing 110 controls the reading of data from optical media 102 and the writing of data to optical media 102. R/W processing 110 outputs data to a host (not shown) through interface 130. Servo system 120 controls the speed of spindle motor 101, the position of OPU 103, and the laser power in response to signals from R/W processing 110. Further, servo system 120 insures that the operating parameters (e.g., focus, tracking, spindle motor speed and laser power) are controlled in order that data can be read from or written to optical media 102.

[0049] FIG. 1B shows an example of optical media 102. Optical media 102 can include any combinations of pre-mastered portions 150 and writeable portions 151. Premastered portions 150, for example, can be written at the time of manufacture to include content provided by a content provider. The content, for example, can include audio data, video data, text data, or any other data that can be provided with optical media 102. Writeable portion 151 of optical media 102 can be written onto by drive 100 to provide data for future utilization of optical media 102. The user, for example, may write notes, keep interactive status (e.g. for games or interactive books) or other information on the disk. Drive 100, for example, may write calibration data or other operating data to the disk for future operations of drive 100 with optical media 102. In some embodiments, optical media 102 includes an inner region 153 close to spindle access 152. A bar code can be written on a portion of an inner region 153. The readable portion of optical media 102 starts at the boundary of region 151 in FIG. 1B. In some embodiments, writeable portion 151 may be at the outer diameter rather than the inner diameter. In some embodiments of optical media 102, an unusable outer region 154 can also be included.

[0050] An example of optical media 102 is described in U.S. application Ser. No. 09/560,781 for "Miniature Optical Recording Disk", herein incorporated by reference in its entirety. The R/W Data Processing 110 can operate with many different disk formats. One example of a disk format is provided in U.S. application Ser. No. 09/527,982, for

“Combination Mastered and Writeable Medium and Use in Electronic Book Internet Appliance,” herein incorporated by reference in its entirety. Other examples of disk data formats are provided in U.S. application Ser. No. 09/539,841, “File System Management Embedded in a Storage Device;” U.S. application Ser. No. 09/583,448, “Disk Format for Writeable Mastered Media;” U.S. application Ser. No. 09/542,181, “Structure and Method for Storing Data on Optical Disks;” U.S. application Ser. No. 09/542,510 for “Embedded Data Encryption Means;” U.S. application Ser. No. 09/583,133 for “Read Write File System Emulation;” and U.S. application Ser. No. 09/583,452 for “Method of Decrypting Data Stored on a Storage Device Using an Embedded Encryption/Decryption Means,” each of which is herein incorporated by reference in its entirety.

[0051] Drive 100 can be included in any host, for example personal electronic devices. Examples of hosts that may include drive 100 are further described in U.S. Patent application Ser. No. 09/315,398 for Removable Optical Storage Device and System, herein incorporated by reference in its entirety. Further discussions of hosts that may include drive 100 is provided in U.S. application Ser. No. {Attorney Docket No. M-9115 US} and U.S. application Ser. No. {Attorney Docket No. M-12076 US}, each of which is herein incorporated by reference in its entirety. In some embodiments, drive 100 can have a relatively small form factor such as about 10.5 mm height, 50 mm width and 40 mm depth.

[0052] FIG. 2A shows an embodiment of actuator arm 104 with OPU 103 mounted on one end. Actuator arm 104 in FIG. 2A includes a spindle 200 which provides a rotational pivot about axis 203 for actuator arm 104. Actuator 201, which in some embodiments can be a magnetic coil positioned over a permanent magnet, can be provided with a current to provide a rotational motion about axis 203 on spindle 200. Actuator arm 104 further includes a flex axis 204. A motion of OPU 103 substantially perpendicular to the rotational motion about axis 203 can be provided by activating actuator coil 206. In some embodiments, actuators 206 and 201 can be voice coil motors.

[0053] FIGS. 2B and 2C show an embodiment of OPU 103 and an optical ray trace diagram of OPU 103, respectively. OPU 103 of FIG. 2B includes a periscope 210 having reflecting surfaces 211, 212, and 213. Periscope 210 is mounted on a transparent optical block 214. Object lens 223 is positioned on spacers 221 and mounted onto quarter wave plate (QWP) 222 which is mounted on periscope 210. Periscope 210 is, in turn, mounted onto turning mirror 216 and spacer 231, which are mounted on a silicon submount 215. A laser 218 is mounted on a laser mount 217 and positioned on silicon submount 215. Detectors 225 and 226 are positioned and mounted on silicon substrate 215. In some embodiments, a high frequency oscillator (HFO) 219 can be mounted next to laser 218 on silicon submount 215 to provide modulation for the laser beam output of laser 218.

[0054] Laser 218 produces an optical beam 224 which is reflected into transparent block 214 by turning mirror 216. Beam 224 is then reflected by reflection surfaces 212 and 213 into lens 223 and onto optical medium 102 (see FIG. 1A). In some embodiments, reflection surfaces 212 and 213 can be polarization dependent and can be tuned to reflect substantially all of polarized optical beam 224 from laser

218. QWP 222 rotates the polarization of laser beam 224 so that a light beam reflected from optical media 102 is polarized in a direction opposite that of optical beam 224.

[0055] The reflected beam 230 from optical medium 102 is collected by lens 223 and focused into periscope 210. A portion (in some embodiments about 50%) of reflected beam 230, which is polarized opposite of optical beam 224, passes through reflecting surface 213 and is directed onto optical detector 226. Further, a portion of reflected beam 230 passes through reflecting surface 212 and is reflected onto detector 225 by reflecting surface 211. Because of the difference in path distance between the positions of detectors 225 and 226, detector 226 is positioned before the focal point of lens 223 and detector 225 is positioned after the focal point of lens 223, as is shown in the optical ray diagram of FIG. 2C through 2F.

[0056] In some embodiments, optical surface 212 is nearly 100% reflective for a first polarization of light and nearly 100% transmissive for the opposite polarization. Optical surface 213 can be made nearly 100% reflective for the first polarization of light and nearly 50% reflective for the opposite polarization of light, so that light of the opposite polarization incident on surface 213 is approximately 50% transmitted. Optical surface 211 can, then, be made nearly 100% reflective for the opposite polarization of light. In that fashion, nearly 100% of optical beam 224 is incident on optical media 102 while 50% of the collected return light is incident on detector 226 and about 50% of the collected return light is incident on detector 225.

[0057] A portion of laser beam 224 from laser 218 can be reflected by an annular reflector 252 positioned in periscope 210 on the surface of optical block 214. Annular reflector 252 may be a holographic reflector written into the surface of optical block 214 about the position that optical beam 224 passes. Annular reflector 252 reflects some of the laser power back onto a detector 250 mounted onto laser block 217. Detector 250 provides a laser power signal that can be used in a servo system to control the power of laser 218.

[0058] FIG. 2D shows an embodiment of detectors 225 and 226 which can be utilized with some embodiments of the present invention. Detector 225 includes an array of optical detectors 231, 232, and 233 positioned on a mount 215. Each individual detector, detectors 231, 232, and 233, is electrically coupled to provide raw detector signals A_R , E_R and CR to controller 106. Detector 226 also includes an array of detectors, detectors 234, 235 and 236, which provide raw detector signals B_R , F_R , and D_R , respectively, to controller 106. In some embodiments, center detectors 232 and 235, providing signals E_R and F_R , respectively, are arranged to approximately optically align with the tracks of optical media 102 as actuator arm 104 is rotated across optical media 102. In some embodiments, the angle of rotation of detectors 225 and 226 with respect to mount 215 is about 9.9 degrees and is chosen to approximately insure that the interference patterns of light beam 225 reflect back from optical media 102 is approximately symmetrically incident with segments 231, 232, 233 of detector 225 and segments 234, 235 and 236 of detector 226. Non-symmetry can contribute to optical cross-talk between derived servo signals such as the focus error signal and the tracking error signal.

[0059] A focus condition will result in a small diameter beam 230 incident on detectors 225 and 226. The degree of

focus, then, can be determined by measuring the difference between the sum of signals A_R and C_R and the center signal E_R of detector 225 and the difference between the sum of signals B_R and D_R and the center signal F_R of detector 226. Tracking can be monitored by measuring the symmetric placement of beams 230 on detectors 225 and 226. A tracking monitor can be provided by monitoring the difference between signals A_R and C_R of detector 225 and the difference between signals B and D of detector 226. Embodiments of OPU 103 are further described in application Ser. No. 09/540,657 for "Low Profile Optical Head," herein incorporated by reference in its entirety.

[0060] FIG. 2E shows an effective optical ray diagram for light beam 224 traveling from laser 218 (FIG. 2B) to optical media 102 (FIG. 1A) in drive 100. Lens 223 focuses light from laser 218 onto optical media 102 at a position x on optical media 102. The distance between lens 223 and the surface of optical media 102 is designated as d. In some embodiments of the invention, data is written on the front surface of optical media 102. In some embodiments, data can be written on both sides of optical media 102. Further, optical media 102 includes tracks that, in most embodiments, are formed as a spiral on optical media 102 and in some embodiments can be formed as concentric circles on optical media 102. Tracks 260 can differ between premastered and writeable portions of optical media 102. For example, tracks 260 in writeable portions 151 of optical media 102 include an addressing wobble while tracks in premastered portion 150 of optical media 102 do not. Data can be written either on the land 261 or in the groove 262. For discussion purposes only, in this disclosure data is considered to be written on land 261 so that focus and tracking follow land 261. However, one skilled in the art will recognize that the invention disclosed here is equally applicable to data written in groove 262.

[0061] In premastered portion 150 of optical media 102 (FIG. 1B), data is written as pits or bumps so that the apparent reflective property of reflected beam 230 changes. Although the actual reflectivity of a bump is the same as the reflectivity elsewhere on the disk, the apparent reflectivity changes because a dark spot over the premastered marks is created due to phase differences in light reflected from the bump versus light reflected from land 261 around in the bump. The phase difference is sufficient to cause destructive interference, and thus less light is collected. Another factor in reducing the amount of light detected from optical media 102 at a bump includes the additional scattering of light from the bump, causing less light to be collected.

[0062] In writeable portion 151 of optical media 102 (FIG. 1B), a film of amorphous silicon provides a mirrored surface. The amorphous silicon can be written by heating with a higher powered laser beam to crystallize the silicon and selectively enhances, because the index of refraction of the material is changed, the reflectivity and modifies the phase properties of the writeable material in writeable portion 151 of optical media 102.

[0063] FIG. 2F shows the reflection of light beam 230 from optical media 102 onto detector arrays 225 and 226 of OPU 103. Reflected light beam 230 from optical media 102 is collected by lens 223 and focused on detectors 225 and 226 in OPU 103. Detector 226 is positioned before the focal point of lens 223 while detector 225 is positioned after the

focal point of lens 223. As shown in FIG. 2B, the light beam reflected from optical media 102 is split at surface 213 to be reflected onto each of detectors 225 and 226. Detectors 225 and 226 can then be utilized in a differential manner to provide signals to a servo control that operates actuators 201 and 206 to maintain optimum tracking and focus positions of OPU 103.

[0064] FIG. 2G shows light beam 230 on optical detectors 225 and 226 when d, the distance between lens 223 and the surface of optical media 102, is at an optimum in-focus position. The light intensity of light beam 230 reflected from optical media 102 onto detectors 225 and 226 is evenly distributed across segments 231, 232, and 233 of detector 225 and across segments 234, 235, and 236 of detector 226. FIG. 2H shows the light beams on detectors 225 and 226 when d is lengthened. The beam on detector 226 gets larger while the beam on detector 225 gets smaller. As shown in FIG. 2I, the opposite case is true if distance d is shortened. A focus signal on detector 225, then, can be formed by adding signals A and C and subtracting signal E. In some embodiments, the resulting signal is normalized by the sum of signals A, C and E. FIG. 2J shows the relationship of quantity $A+C-E$ as a function of d. FIG. 2K shows the relationship of corresponding quantity $B+D-F$ as a function of d. The difference between the two functions shown in FIGS. 2J and 2K is shown in FIG. 2L. In FIG. 2L, the focus point can be at the zero-crossing of the curve formed by taking the difference between the graphs of FIGS. 2J and 2K as a function of focus distance d. In the preceding discussion, subscripts are dropped from the detector signals A, C, E, B, D, and F to indicate that the discussion is valid for the analog or digital versions of these signals.

[0065] FIG. 2M shows beam of light 230 on each of detectors 225 and 226 in an on-track situation. As shown in FIG. 2E, light from laser 218 is incident on optical media 102 which has tracks 260 with lands 261 and grooves 262. The beam is broad enough that interference patterns are formed in the reflected light beam that, as shown in FIG. 2F, is incident on detectors 226 and 225. As shown in FIG. 2M, the interference pattern forms an intensity pattern with most of the intensity centered on elements 232 and 235, the center elements of detectors 225 and 226, respectively, where constructive interference from tracks 260 is formed. Lower intensity light, where destructive interference is formed, is incident on outside elements 231 and 233 of detectors 225, 234 and 236 of detector 226. If light beam 224 from laser 218 is focused on edges of tracks 260, the interference pattern shifts. FIGS. 2N and 2O show interference patterns indicative of light at edges of tracks 260. Since, when the light beam is "on-track" the intensity of light in outside elements 231 and 233 and outside elements 234 and 236 are the same, a tracking signal can be formed by the difference in signals A and C and B and D. FIG. 2P shows the normalized value $A-C$ as a function of x as light beam 224 from laser 218 is moved over the surface of optical media 102. FIG. 2Q shows the normalized value of $B-D$ as a function of x. In each case, a sinusoidal function is generated where an on-track condition is met at zero-crossings. Because detectors 225 and 226 are differential in nature, and because the relationship shown in FIG. 2Q is out of phase with that shown in FIG. 2P, an overall tracking error signal can be formed by taking the difference between the calculations shown in FIG. 2P and the calculations shown in FIG. 2Q as an indication of tracking error. Variation over a

complete period of the sine wave shown in **FIG. 2Q** indicates a full track crossing. In other words, a zero-crossing will indicate either land **261** or groove **262** of track **260**. The slope of the tracking error signal (TES) at the zero crossing can indicate whether the crossing is through a groove or through a land in track **260**.

[0066] Utilizing detectors **225** and **226** in a normalized and differential manner to form tracking and focus error signals minimizes the sensitivity of drive **100** to variations in laser power or to slight differences in reflectivity as optical media **102** is rotated. Variations common to both detectors **225** and **226** are canceled in a differential measurement. Further, although best tracking and best focus may occur at zero points in the TES or FES signals, these locations may not be optimum for the best reading or writing of data. Since the purpose of drive **100** is to read and write data to optical media **102**, in some embodiments different operating points may be made thus allowing drive **100** to switch between optimum servo function and optimum data read function. This factor is further discussed below with respect to the TES and FES servo algorithms.

[0067] Further, there can be significant cross-talk between the TES and FES signals as described above with **FIGS. 2A through 2R**. FES, as defined above for each of detectors **225** and **226**, will depend on TES as OPU **103** passes over tracks on optical media **102**. With the observation that the cross-talk intensity changes are concentrated on the outer elements (e.g., elements **231** and **233** of detector **225**) and that the sum signal is not dependent on spot size, so long as the spot stays on detector **225**, then FES can be defined such that cross-talk is reduced or eliminated. For example, with detector **225** FES is defined as $(A+C-E)/(A+C+E)$. Since the cross-talk in the outer elements (elements **231** and **233**) have a large cross-talk the cross-talk in the central element, element **232**, is smaller and out of phase with the cross-talk in the outer elements, then cross-talk can be reduced by defining a new FES, NFES, as $FES-SUM$, where SUM is $A+C+E$. In some embodiments, NFES can be $FES-HP(SUM)$, where $HP(SUM)$ is a high-pass filtered sum signal with a filter gain chosen to reduce cross-talk. In some embodiments, NFES can be normalized with the SUM signal or with a low-pass filtered SUM signal. In differential mode, i.e. with both detectors **225** and **226**, the new FES signal with reduced cross-talk can be defined, as above, by the difference between the FES signal calculated from detector **225** and the FES signal calculated from detector **226**.

[0068] Embodiments of drive **100** (**FIG. 1A**) present a multitude of challenges in control over conventional optical disk drive systems. A conventional optical disk drive system, for example, performs a two-stage tracking operation by moving the optics and focusing lens radially across the disk on a track and performs a two-stage focusing operation by moving a focusing lens relative to the disk. Actuators **201** and **206** of actuator arm **104** provide a single stage of operation that, nonetheless in some embodiments, performs with the same performance as conventional drives with conventional optical media. Further, conventional optical disk drive systems are much larger than some embodiments of drive **100**. Some major differences include the actuator positioning of actuator arm **104**, which operates in a rotary fashion around spindle **200** for tracking and with a flexure action around axis **204** for focus. Further, the speed of rotation of spindle driver **101** is dependent on the track

position of actuator arm **104**. Additionally, the characteristics of signals A_R , B_R , C_R , D_R , E_R , and F_R received from OPU **103** differ with respect to whether OPU **103** is positioned over a premastered portion of optical media **102** or a writeable portion of optical media **102**. Finally, signals A_R , B_R , C_R , D_R , E_R , and F_R may differ between a read operation and a write operation.

[0069] It may generally be expected that moving to a light-weight structural design from the heavier and bulkier conventional designs, such as is illustrated with actuator arm **104**, for example, may reduce many problems involving structural resonances. Typically, mechanical resonances scale with size so that the resonant frequency increases when the size is decreased. Further, focus actuation and tracking actuation in actuator arm **104** are more strongly cross-coupled in actuator arm **104**, whereas in conventional designs the focus actuation and tracking actuation is more orthogonal and therefore more decoupled. Further, since all of the optics in drive **100** are concentrated at OPU **103**, a larger amount of optical cross-coupling between tracking and focus measurements can be experienced. Therefore, servo system **120** has to push the bandwidth of the servo system as hard as possible so that no mechanical resonances in actuator arm **104** are excited while not responding erroneously to mechanical and optical cross couplings. Furthermore, due to the lowered bandwidth available in drive **100**, nonlinearities in system response can be more severe. Further, since drive **100** and optical media **102** are smaller and less structurally exact, variations in operation between drives and between various different optical media can complicate control operations on drive **100**.

[0070] One of the major challenges faced by servo system **120** of control system **106**, then, includes operating at lower bandwidth with large amounts of cross coupling and non-linear system responses, and significant variation in servo characteristics between different optical media and between different optical drives. Additionally, the performance of drive **100** should match or exceed that of conventional CD or DVD drives in terms of track densities and data densities. Additionally, drive **100** needs to maintain compatibility with other similar drives so that optical media **102** can be removed from drive **100** and read or written to by another similar drive.

[0071] Conventional optical drive servo systems are analog servos. In an analog environment, the servo system is limited with the constraints of analog calculations. Control system **106**, however, can include substantially a digital servo system. A digital servo system, such as servo system **120**, has a higher capability in executing solutions to problems of system control. A full servo loop is formed when servo system **120** is coupled with actuator **104**, OPU **103**, spin motor **101** and optical media **102**, where the effects of a control signal generated by servo system **120** is detected. A full digital servo system is limited only by the designer's ability to write code, the memory storage available in which to store data and code, and processor capabilities. Embodiments of servo system **120**, then, can operate in the harsher control environment presented by disk drive **100** and are capable of higher versatility towards upgrading servo system **120** and for refinement of servo system **120** than in conventional systems.

[0072] Drive **100** can also include error recovery procedures. Embodiments of drive **100** which have a small form

factor can be utilized in portable packages and are therefore subject to severe mechanical shocks and temperature changes, all of which affect the ability to extract data (e.g., music data) from optical media **102** reliably or, in some cases, write reliably to optical media **102**. Overall error recovery and control system **106** is further discussed in the System Architecture disclosures, while tracking, focus and seek algorithms are discussed below, and in the Tracking and Focus Servo System disclosures. Further, since drive **100**, therefore, has tighter tolerances than conventional drives, some embodiments of servo-system **120** include dynamic calibration procedures, which is further described in the Servo System Calibration disclosures. Control of the spin motor **101** is described in the Spin Motor Servo System disclosures. The System Architecture disclosures, the Tracking and Focus Servo System disclosures, the Servo System Calibration disclosures, and the Spin Motor Servo System disclosures have been incorporated by reference into this disclosure.

Example Embodiment of an Optical Drive Controller

[0073] FIG. 3A shows a block diagram of an embodiment of controller **106** according to the present invention. Optical signals are received from OPU **103** (see FIGS. 2B-2D). As discussed above with FIGS. 2B, 2C and 2D, some embodiments of OPU **103** include two detectors with detector **225** including detectors **231**, **232**, and **233** for providing detector signals A_R , E_R , and C_R , respectively, and detector **226** having detectors **234**, **235** and **236** providing detector signals D_R , F_R , and B_R , respectively. Further, some embodiments of OPU **103** include a laser power detector **250** mounted to receive reflected light from an annular reflector **252** positioned on periscope **210**, as discussed above, and therefore provides a laser power signal LP_R as well.

[0074] Detector signals received from OPU **103** are typically current signals. Therefore, the detector signals from OPU **103** are converted to voltage signals in a preamp **310**. Preamp **310** includes a transimpedance amplifier, which converts current signals to voltage signals. Further, preamp **310** generates a high frequency (HF) signal based on the detector signals from OPU **103**. The HF signal can be utilized as the data signal and is formed by the analog sum of the signals from OPU **103** (signals A_v , B_v , C_v , D_v , E_v , and F_v in FIG. 3A).

[0075] FIG. 3B shows a block diagram of an embodiment of preamp **310**. Preamp **310** includes an array of transimpedance amplifiers, amplifiers **311**, **312**, **313**, **314**, **315**, **316** and **317** in FIG. 3B. Amplifier **311** receives the laser power signal LP_R from OPU **103** and amplifiers **312** through **317** receive signals A_R through F_R , respectively, from OPU **103**. In general, preamp **310** can receive any number of detector signals from OPU **103**. In some embodiments, each of signals A_R through F_R and laser power LP_R are current signals from detectors **225**, **226** and **250** of OPU **103**. Amplifiers **311** through **317** output voltage signals LP_v , A_v , B_v , C_v , D_v , E_v , and F_v , respectively. The gain of each of amplifiers **311** through **317**, G_1 through G_7 , can be set by gain conversion **318**. Gain conversion **318** can receive a W/R gain switch that indicates a read or a write condition and can adjust the gains G_i through G_7 of amplifiers **311** through **317** accordingly. In some embodiments, gain conversion **318** receives gain selects for each of gains G_1

through G_7 and a forward sensor FWD sensor. In some embodiments, gains G_1 and G_2 are the same and gains G_3 through G_6 are the same. In some embodiments, gains G_3 through G_6 are approximately $\frac{1}{2}$ of gains G_1 and G_2 .

[0076] Since the laser power required for a write operation is much higher than the laser power required for a read operation, the gains G_1 through G_7 can be set high for a read operation and can be lowered for a write operation. In some embodiments, gain conversion **318** outputs one of a number (e.g., two) of preset gains for each of gains G_1 through G_7 in response to the W/R gain switch setting. Summer **319** receives each of the signals A_v , B_v , C_v , D_v , E_v , and F_v from amplifiers **312** through **317**, respectively, and outputs a differential HF signal. In some embodiments, the differential HF signal is the analog sum of signals A_v , B_v , C_v , D_v , E_v , and F_v . The differential HF signal indicates the total light returned from optical medium **102** (see FIG. 1) and therefore includes, in a read operation, the actual data read from optical medium **102**.

[0077] In some embodiments, preamplifier **308** can include summers **331** through **336**, which receives the output signals from amplifiers **312** through **317**, respectively, and offsets the output values from amplifiers **312** through **317**, respectively, by reference voltages VREF6, VREF5, VRD4, VRD3, VRD2, and VRD1, respectively. In some embodiments VRD1 through VRD4 are the same and VREF5 and VREF6 are the same. The input signals to differential summer **319**, then, are the output signals from adders **331** through **336** and the output signal from amplifier **311**.

[0078] As shown in FIG. 3A, the voltage signals LP_v , A_v , B_v , C_v , D_v , E_v , F_v , and HF from preamp **310** are input signals to control chip **350**. Control chip **350** can be a digital and analog signal processor chip which digitally performs operations on the input signals A_v , B_v , C_v , D_v , E_v , F_v , HF, and LP_v to control the actuators of actuator arm **104** (FIG. 1), the laser power of laser **218** (FIG. 2B), and the motor speed of spindle motor **101** (FIG. 1). Control **350** also operates on the HF signal to obtain read data and communicate data and instructions with a host (not shown). In some embodiments, control **350** can be a ST Microelectronics 34-00003-03.

[0079] The laser power signal LP_v is further input to laser servo **105** along with a W/R command, indicating a read or a write operation. In some embodiments, laser servo **105** is an analog servo loop that controls the power output of laser **218** of OPU **103**. In some embodiments, the laser power can also be included in a digital servo loop controlled by control chip **350**. The laser power of laser **218** is high for a write operation and low for a read operation. Laser servo **105**, then, holds the power of laser **218** to a high power of low power in response to the laser W/R power control signal from control chip **350**. Analog servo systems for utilization as laser servo **105** are well known to one skilled in the art. In some embodiments, laser servo **105** can also be a digital servo system.

[0080] Control chip **350** is further coupled with data buffer memory **320** for buffering data to or from the host and program memory **330**. Program memory **330** holds program code for, among other functions, performing the servo functions for controlling focus and tracking functions, laser power, and motor speed. Data read through OPU **103** can be

buffered into data buffer memory **320**, which assists in power savings and allows more time for error recovery if drive **100** suffers a mechanical shock or other disturbing event. In some embodiments, control chip **350** activates mechanical components **107** of drive **100** when data buffer **320** is depleted and deactivates mechanical portions **107** when buffer **320** is filled. Servo system **120**, then, needs only to be active while mechanical portions **107** are active.

[0081] In some embodiments, control chip **350** is a low power device that operates at small currents. Therefore, control voltages for controlling focus and tracking actuators (through coils **206** and **201**, respectively) are input to power driver **340**. Power driver **340** outputs the current required to affect the focus and tracking functions of actuator arm **104** through focus actuator **206** and tracking actuator **201**. In some embodiments, as described above, focus actuator **206** and tracking actuator **201** are voice coil motors mounted on actuator arm **104** so that tracking actuator **201** moves OPU **103** over tracks of optical media **102** and focus actuator **206** flexes actuator arm **104** to affect the distance between OPU **103** and optical media **102**.

[0082] Driver **340** can also provide current to drive spindle motor **101**. Spindle motor **101** provides sensor data to a servo system and can also be responsive to the tracking position of OPU **103** so that the speed of spindle motor **101** is related to the track. In some embodiments, the data rate is held constant by controlling the speed of spindle motor **101** as OPU **103** tracks across optical media **102**. A servo system for controlling spindle motor **101** is further described in the Spin Motor Servo System disclosures.

[0083] Further, power drivers **340** can also control a cartridge eject motor **360** and latch solenoid **370** in response to commands from control chip **350**. Cartridge eject motor **360** mounts and dismounts optical media **102** onto spindle motor **101**. Latch solenoid **370** provides a secured latch so that the OPU **103** does not contact optical media **102** during non-operational shock conditions.

[0084] Finally, system **300** can include power monitor **380** and voltage regulators **390**. Power monitor **380** provides information about the power source to control chip **350**. Control chip **350**, for example, can be reset by power monitor **380** if there is a power interruption. Voltage regulators **390**, in response to an on/off indication from control chip **350**, provides power to drive laser **218**, as well as control chip **350** and pre-amp **310**. Spindle motor **101**, actuators **206** and **201**, cartridge eject motor **360**, and latch solenoid **370** can be powered directly from the input voltage.

[0085] FIG. 4 shows an embodiment of control chip **350** of control system **300**. The embodiment of control chip **350** shown in FIG. 4 includes a microprocessor **432** and a digital signal processor (DSP) **416**. Since DSP **416** operates much faster, but has lower overall capabilities (e.g., code and data storage space), than microprocessor **432**, in some embodiments real time digital servo system algorithms can be executed on DSP **416** while other control functions and calibration algorithms can be executed on microprocessor **432**. A control structure for embodiments of control chip **350**, and interactions between DSP **416** and microprocessor **432**, are further discussed in the System Architecture disclosures.

[0086] Control chip **350** receives voltage signals A_v , E_v , C_v , B_v , F_v , D_v , HF, and LP_v from preamp **310** (see FIG. 3A). Signals A_v , E_v , C_v , B_v , F_v , and D_v are input into offset blocks **402-1** through **402-6**, respectively. Offset blocks **402-1** through **402-6** provide a variable offset for each of input signals A_v , E_v , C_v , B_v , F_v , and D_v . The value of the offset is variable and can be set by a calibration routine executed in microprocessor **432** or DSP **416**, which is further described in the Servo System Calibration disclosures.

[0087] In some embodiments, the offset values can be set so that when the power of laser **218** is off the output signal from each of offsets **402-1** through **402-6** is zero, i.e. a dark-current calibration. In some embodiments, the effects of light scattering in OPU **103** may also be deducted in offset **402-1** through **402-6**.

[0088] The signals output from offsets **402-1** through **402-6** are input to variable gain amplifiers **404-1** through **404-6**, respectively. Again, the gains of each of variable gain amplifiers **404-1** through **404-6** are set by a calibration routine executed in microprocessor **432** or DSP **416**, as further described in the Servo System Calibration disclosures. In some embodiments, the gains of amplifiers **404-1** through **404-6** can be set so that the dynamic range of analog-to-digital converters **410-1** and **410-2** are substantially fully utilized in order to reduce quantization error.

[0089] The offsets and gains of offsets **402-1** through **402-6** and **404-1** through **404-6**, respectively, may be different for each of signals A_v , E_v , C_v , B_v , F_v , and D_v . Further, the gains and offsets may be different for read operations and write operations and may be different for pre-mastered versus writeable portions of optical media **102**. Further, the offsets and gains may vary as a function of tracking position on optical media **102** (in addition to simply varying between premastered or writeable regions). Some factors which may further lead to different offset and gain settings include light scattering onto detectors, detector variations, detector drift, or any other factor which would cause the output signal from the detectors of OPU **103** to vary from ideal output signals. Various calibration and feedback routines can be operated in microprocessor **432** and DSP **416** to maintain efficient values of each of the offset and gain values of offsets **402-1** through **402-6** and amplifiers **404-1** through **404-6**, respectively, over various regions of optical media **102**, as is further discussed in the Servo System Calibration disclosures.

[0090] Therefore, in some embodiments the offset and gain values of offsets **402-1** through **402-6** and amplifiers **404-1** through **404-6** can be varied by microprocessor **432** and DSP **416** as OPU **103** is positionally moved over optical media **102**. Additionally, in some embodiments microprocessor **432** and DSP **416** monitor the offset and gain values of offset **402-1** through **402-6** and amplifiers **404-1** through **404-6** in order to dynamically maintain optimum values for the offset and gain values as a function of OPU **103** position over optical media **102**. In some embodiments, offset and gain values are set in a calibration algorithm. In some embodiments, the offset values of offsets **402-1** through **402-6** are determined such that the dynamic range of the respective input signals are centered at zero. Further, the gains of amplifiers **404-1** through **404-6** are set to fill the dynamic range of analog-to-digital converters **410-1** and **410-2** in order to reduce quantization error. In some embodiments, the gains of amplifiers **404-1** through **404-6** can be modified in error recovery routines. See the System Archi-

ture disclosures. In some embodiments, the gains of amplifiers 404-1 through 404-6 can be optimized through continuous performance monitoring. See the Servo System Calibration disclosures.

[0091] The output signals from variable gain amplifiers 404-1 through 404-6 are input to anti-aliasing filters 406-1 through 406-6, respectively. Anti-aliasing filters 406-1 through 406-6 are low-pass filters designed to prevent aliasing. In some embodiments, the output signals from each of anti-aliasing filters 406-1 through 406-5 are input to analog-to-digital converters. In other embodiments, a limited number of analog-to-digital converters are utilized. In the embodiment shown in FIG. 4, the output signals from anti-aliasing filters 406-1 through 406-5 are input to multiplexers 408-1 and 408-2. The output signals from anti-aliasing filters 406-1 through 406-3 are input to multiplexer 408-1 and the output signals from anti-aliasing filters 406-4 through 406-6 are input to multiplexer 408-2.

[0092] The HF signal from preamp 310 (see FIG. 3A) can be input to equalizer 418. Equalizer 418 equalizes the HF signal by performing a transform function that corrects systematic errors in detecting and processing data read from optical media 102. In some embodiments, equalizer 418 operates as a band-pass filter. The output signal from equalizer 418 is input to amplifier 420. The output signal from amplifier 420 can be input as a fourth input to multiplexer 408-1.

[0093] The laser power signal LP_v can be input to multiplexer 436 where LP_v can be multiplexed with other signals that may require digitization. The output signal from multiplexer 436 can then be input as a fourth input to multiplexer 408-2. One skilled in the art will recognize that if no other signals are being digitally monitored, multiplexer 436 can be omitted. Further, one skilled in the art will recognize that any number of analog-to-digital converters can be utilized and any number of signals can be multiplexed to utilize the available number of analog-to-digital converters. The particular embodiment shown here is exemplary only.

[0094] The output signal from multiplexer 408-1 is input to analog-to-digital converter 410-1. The output signal from multiplexer 408-2 is input to analog-to-digital converter 410-2. Analog-to-digital converters 410-1 and 410-2 can each include registers 478 for the storage of digitized values. ADC 410-1 includes registers 478-1 through 478-4 and ADC 410-2 includes registers 478-5 through 478-8. Further, multiplexers 408-1 and 408-2 and ADC 410-1 are coupled to a clock 476 which determines which signals from multiplexers 408-1 and 408-2 are currently being digitized and, therefore, in which of register 478-1 through 478-4 the result of that digitization should be stored. In some embodiments, analog-to-digital converters 410-1 and 410-2 can be, for example, 10 bit converters sampling at a rate of about 26 Mhz, with each sample being taken from a different input of multiplexers 408-1 and 408-2, respectively. In some embodiments ADC 410-1 and 410-2 can sample the output signals from anti-aliasing filters 406-1 through 406-6 at a higher rate than other signals, for example the LP_v signal or the output signal from gain 420. In some embodiments, for example, ADC 410-1 and 410-2 may sample each of the output signals from anti-aliasing filters 406-1 through 406-6 at an effective sampling rate of about 6.6 MHz.

[0095] The digitized signals from analog-to-digital converters 410-1 and 410-2, then, are the digitized and equalized

HF signal HF_d , the digitized laser power signal LP_d , and digitized detector signals A_d , E_d , C_d , B_d , F_d , and D_d . Digitized laser power signal LP_d is input to DSP 416 and can be utilized in a digital servo loop for controlling laser power or in determination of gain and offset values for various components. Alternatively, DSP 416 or microprocessor 432 can monitor LP_d to determine error conditions.

[0096] The digitized HF signal HF_d can be input to focus OK (FOK) 412, which outputs a signal to DSP 416 and microprocessor 432 indicating whether focus is within a useful range. Detectors 225 and 226 are sized such that, when OPU 103 is seriously out of focus, light is lost off detectors 225 and 226. Therefore, FOK 412 determines if the total intensity of light on detectors 225 and 226 is above a FOK threshold value indicating a near in-focus condition. In some embodiments, this function can also be executed in software rather than hardware. Further, the FOK threshold value can be fixed or can be the result of a calibration algorithm. In some embodiments, the FOK threshold value can be dependent upon the type of media on optical media 102 that OPU 103 is currently over.

[0097] Digitized detector signals A_d , E_d , C_d , B_d , F_d , and D_d are input to decimation filters 414-1 through 414-6, respectively. Decimation filters 414-1 through 414-6 are variable filters which down-sample the digitized detector signals A_d , E_d , C_d , B_d , F_d , and D_d to output signals A_f , E_f , C_f , B_f , F_f , and D_f which are input to DSP 416. In some embodiments, for example, each of signals A_d , E_d , C_d , B_d , F_d , and D_d has effectively been sampled at 6.6 MHz by ADC 410-1 and 410-2. Decimation filters 414-1 through 414-6 can then down-sample to output signals A_f , E_f , C_f , B_f , F_f , and D_f at, for example, about 70 kHz. Embodiments of decimation filters 414-1 through 414-6 can down-sample to any sampling rate, for example from about 26 kHz to about 6.6 MHz.

[0098] The effects of down-sampling in decimation filters 414-1 through 414-6 include an averaging over several samples of each of signals A_d , E_d , C_d , B_d , F_d , and D_d . This averaging provides a low-pass filtering function and provides higher accuracy for signals A_f , E_f , C_f , B_f , F_f , and D_f which are actually read by DSP 416 and utilized in further calculations. In some embodiments, the accuracy is effectively increased to 13 bits from the 10 bit output signals from ADC 410-1 and 410-2.

[0099] Further, although the data signals included in the HF signal can be at high frequency (e.g., several MHz), the servo information is at much lower frequencies. In some embodiments, the mechanical actuators 206 and 201 of actuator arm 104 can respond to changes in the hundreds of hertz range yielding servo data in the 10s of kilohertz range, rather than in the Megahertz ranges of optical data. Further, mechanical resonances of actuator arm 104 can occur in the 10's of kilohertz range. Therefore, down-sampling effectively filters out the high frequency portion of the spectrum that is not of interest to servo feedback systems. Further, a much cleaner and more accurate set of digital servo signals A_f , E_f , C_f , B_f , F_f , and D_f are obtained by the averaging performed in decimation filters 414-1 through 414-6, respectively. In some embodiments, decimation filters 414-1 through 414-6 can be programmed by microprocessor 432 or DSP 416 to set the output frequency, filtering characteristics, and sampling rates.

[0100] In particular, a tracking wobble signal at about 125 KHz in the track on writeable portions 151 of optical media 102 results from a slight modulation in the physical track in that region. This wobble is filtered out of signals A_f , E_f , C_f , B_f , F_f , and D_f by filtering provided in decimation filters 414-1 through 414-6. Actuator arm 104 cannot respond to control efforts in this frequency range. Similarly, a stabilizing frequency on laser power at 500 MHz, from modulator 219 (see FIG. 2B), is filtered out of signals A_f , E_f , C_f , B_f , F_f , and D_f by filtering provided in decimation filters 414-1 through 414-6. For servo purposes, only the lower frequency region of the signals are important. Then, the signals A_f , E_f , C_f , B_f , F_f , and D_f only include sensor noise and real disturbances that can be followed by a servo system operating on, for example, actuator arm 104. Those disturbances can include physical variations due to stamping errors in the mastering process, since tracks will not be perfectly laid. In addition, spindle motor 101 may provide some errors through bearings that cause vibration. Additionally, optical media 102 may not be flat. Tracking and focus servo functions, as well as the servo systems tracking laser power and the rotational speed of spindle motor 101, can follow these errors. Further, it is important that the spectral response of a servo system be responsive to the frequency range of the errors that are being tracked. If not, then the servo system may make the tracking and focus environments worse. Further, embodiments of drive 100 operate in extremes of physical abuse and environmental conditions that may alter the resonant frequency characteristics and response characteristics of spindle motor 101, optical media 102, and actuator arm 104 during operation in the short term or during the lifetime of drive 100 or optical media 102. A servo system according to the present invention should be insensitive to these changing conditions.

[0101] The digital output signals A_d , E_d , C_d , B_d , F_d , and D_d are further input to summer 438. Summer 438 can be a programmable summer so that a sum of particular combinations of inputs A_d , E_d , C_d , B_d , F_d , and D_d can be utilized. Summer 438 sums a selected set of signals A_d , E_d , C_d , B_d , F_d , and D_d to form a low-bandwidth digitized version of the HF signal. The output signal from summer 438 is multiplexed in multiplexer 441 and multiplexer 443 with the digitized HF signal HF_d output from ADC 410-1. A HF select signal input to each of multiplexer 441 and 443 selects which of HF_d or the output signal from summer 438 are chosen as the output signal from multiplexer 441 and 443. The output signal from multiplexer 441 is input to disturbance detector 440. Disturbance detector 440 detects defects on media 102 by monitoring the data signal represented by HF_d or the output from summer 438 and alerts DSP 416 of a defect. A defect can include a scratch or speck of dust on optical media 102. Results of defects manifest themselves as sharp spikes in the input signal. In some embodiments, disturbance detector 440 can include a low pass filter. The input signal to disturbance detector 440 is low pass filtered and the filtered signal is compared with the unfiltered input signal. If the difference exceeds a pre-set defect threshold signal, then a defect flag is set. The defect flag can be input to DSP 416 or microprocessor 432.

[0102] The output signal from multiplexer 443 is also input to mirror detector 442. Mirror detector 442 provides a signal similar to the TES, but 90 degrees out of phase. DSP 416 receives the mirror signal and, in combination with the TES calculated within DSP 416, can determine direction of

motion while track seeking. The TES is a sine wave that indicates a track jump over one period of the wave. If a tracking servo system attempts to track at the zero-crossing with an improper slope, the servo system will simply move actuator arm 104 away from that zero-crossing. The mirror signal can be utilized to indicate if the motion is in the proper direction.

[0103] Additionally, signals A_d and C_d are received in summer 444, which calculates the value A_d-C_d . Further, signals B_d and D_d are input to summer 446 which calculates the value B_d-D_d . The output signals from summer 444 and summer 446 are input to summer 448, which takes the difference between them forming a version of tracking error signal, TES, from the digitized detector output signals. The output signal from summer 448 is input to a bandpass filter 450. The output signal from bandpass filter 450 is Push-PullBP. The output signal from summer 448 is further input to a lowpass filter 452. The output signal from lowpass filter 452 is input to track crossing detector 454 which determines when the TES calculated by summer 448 indicates that OPU 103 has crossed a track on optical media 102. The output signal from track crossing detector 454 is the TZX signal and is input to DSP 416.

[0104] The low-pass filtered TES is a sine wave as a function of position of OPU 103 over optical media 102. (See, e.g., FIG. 2R). A one-period change in TES indicates a track crossing. Then, in some embodiments track crossing detector 454 can output a TZX pulse whenever the TES crosses zero (which results in two pulses per track crossing). In some embodiments, track crossing detector 454 can generate a pulse whenever a zero crossing having the proper slope in the TES curve is detected.

[0105] The signal PushPullBP can be input to Wobble/PreMark detector 428. In some embodiments, in the writeable portion of optical media 102 the tracks have a predetermined wobble, resulting from an intentional modulation in track position, which has a distinct frequency. In some embodiments, the wobble frequency of PushPullBP is in the 100 kHz range (in some embodiments around 125 kHz) and therefore, with decimation filters 414-1 through 414-6 operating as a low-pass filter at around 70 kHz, is filtered out of signals A_f , E_f , C_f , B_f , F_f , and D_f . Bandpass filter 450 can be set to pass TES signals of that frequency so that detector 428 detects the wobble in the track.

[0106] The frequency of wobble in the track from detector 428 is indicative of the rotational speed of spindle driver 101. Further, a spindle speed indication from spindle motor 101 itself can be directly input to microprocessor 432 and DSP 416. Further, the signal from gain 420 can be input to slicer 422, DPLL 424, and Sync Mark Detector 426 to provide a third indication of the speed of spindle motor 101. Slicer 422 determines a digital output in response to the output signal from equalizer 418 and amplifier 420. Slicer 422 simply indicates a high state for an input signal above a threshold value and a low state for an input signal below the threshold. DPLL 424 is a digital phase-locked loop, which basically serves a clock to the read back signal so that sync marks on the tracks can be detected. Sync mark detector 426, then, outputs a signal related to the period between detected sync marks, which indicates the rotational speed of spindle driver 101.

[0107] Each of these speed indications can be input to multiplexer 430, whose output is input to microprocessor

432 as the signal indicating the rotational speed of spindle motor 101. Microprocessor 432 can choose through a select signal to multiplexer 430 which of these rotational speed measurements to use in a digital servo loop for controlling the rotational speed of spindle driver 101.

[0108] Microprocessor 432 and DSP 416 output control efforts to drivers that affect the operation of drive 100 in response to the previously discussed signals from actuator arm 104 and spindle driver 101. A control effort from microprocessor 432 is output to spin control 456 to provide a spin control signal to driver 340 (see FIG. 3A) for controlling spindle driver 101. A digital servo system executed on microprocessor 432 or DSP 416 is further discussed in the Spin Motor Servo System disclosures. In some embodiments, as is further discussed below, microprocessor 432 outputs a coarse tracking control effort to serial interface 458.

[0109] In embodiments of drive 100 with a digital servo loop for controlling laser power, a signal from microprocessor 432 or DSP 416 is input to a laser control digital to analog converter 460 to provide a control effort signal to the laser driver of laser servo 105 (see FIG. 3A). A focus control signal can be output from either microprocessor 432 or DSP 416 to a focus digital to analog converter 464 to provide a focus control signal to power driver 340 (see FIG. 3A). A tracking control signal, which in some embodiments can be a fine tracking control effort, can be output from either microprocessor 432 or DSP 416 to a tracking digital to analog converter 468 to provide a tracking control signal to power drivers 340. A diagnostic digital to analog converter 466 and other diagnostic functions, such as analog test bus 470, digital test bus 472, and diagnostic PWM's 474, may also be included. Further a reference voltage generator 462 may be included to provide a reference voltage to digital-to-analog converters 460, 464, 466, and 468.

[0110] Microprocessor 432 and DSP 416 can communicate through direct connection or through mailboxes 434. In some embodiments, DSP 416 operates under instructions from microprocessor 432. DSP 416, for example, may be set to perform tracking and focus servo functions while microprocessor 432 provides oversight and data transfer to a host computer or to buffer memory 320. Further, microprocessor 432 may provide error recovery and other functions. Embodiments of control architectures are further discussed in the System Architecture disclosures. DSP 416, in some embodiments, handles only tracking and focus servo systems while microprocessor 432 handles all higher order functions, including error recovery, user interface, track and focus servo-loop closings, data transport between optical media 102 and buffer memory 320, and data transfer between buffer memory 320 and a host, read and write operations, and operational calibration functions (including setting offset and gain values for offset 402-1 through 402-6 and amplifiers 404-1 through 404-6 and operational parameters for decimation filters 414-1 through 414-6).

Tracking and Focus Servo Algorithms

[0111] FIGS. 5A and 5B together show a block diagram of an embodiment of tracking, focus and seek algorithms 500. Algorithms 500 shown in FIGS. 5A and 5B can be, for example, primarily executed on DSP 416 of FIG. 4. In some embodiments, real-time tracking and focus algorithms are

executed on DSP 416 whereas other functions, including calibration and high-level algorithm supervision, are executed on microprocessor 432. In some embodiments, microprocessor 432 can also manage which algorithms are executed on DSP 416. Algorithm 500 includes a focus servo algorithm 501 and a tracking algorithm 502. Further algorithms include a multi-track seek algorithm 557 and a one-track jump algorithm 559.

[0112] Focus servo algorithm 501, as shown in FIGS. 5A and 5B, includes, when fully closed, summer 506, offset summer 507, FES gain 509, inverse non-linearity correction 511, cross-coupling summer 513, FES sample integrity test 515, low frequency integrator 516, phase lead 518, notch filter 519, focus close summer 521, loop gain 524, and feed-forward summer 533. Similarly, tracking servo loop 502, when fully closed, includes summer 540, offset summer 541, TES gain 543, TES inverse non-linearity correction 546, TES sample integrity test 548, low frequency filter 549, phase lead 550, notch filters 551 and 553, and loop gain amplifier 564.

[0113] Further, algorithm 500 includes detector offset calibration 584 and detector gain calibration 583. Along with other calibration procedures shown in algorithm 500, these calibrations are discussed further in the Servo System Calibration disclosures.

[0114] As shown in block 503, digitized and filtered signals A_f , E_f , C_f , B_f , F_f , and D_f from decimation filters 414-1 through 414-6 as shown in FIG. 4. For purposes of discussion, signals A_f , E_f , C_f , B_f , F_f and D_f have been relabeled in subsequent Figures to be A, E, C, B, F, and D, respectively. Block 504 receives signals A, C, and E and calculates an FES_1 signal as

$$FES_1 = (A + C - E) / (A + C + E),$$

[0115] as was previously discussed with FIG. 2J with the analog versions of signals A, C, and E. Block 505 receives signals B, D, and F and calculates an FES_2 signal according to

$$FES_2 = (B + D - F) / (B + D + F),$$

[0116] as was previously discussed with FIG. 2K with the analog versions of signals B, D, and F. Summer 506 calculates the differential FES signal according to

$$FES = FES_1 - FES_2.$$

[0117] As was previously discussed, FIG. 2L shows the FES signal as a function of distance between OPU 103 and optical media 102. As previously discussed, in some embodiments further processing can be performed on TES and FES signals, for example to reduce cross-talk.

[0118] The FES signal is input to offset adder 507, which adds an FES offset from offset calibration 508. The best position on the FES curve (see FIG. 2L) around which a servo system should operate can be different for the servo system than it is for read or write operations. In other words, optimum read operations may occur around a position on the FES curve that differs from the optimum position utilized for best servo operation. FES offset calibration 508, which inputs the peak-to-peak tracking error signal TES P-P and a data jitter value and outputs an FES offset value, is further discussed below.

[0119] The output signal from offset adder 507 is input to FES Gain 509. The gain of FES gain 509 is determined by FES gain calibration 510. The gain of FES gain 509 is such that the output value of gain 509 corresponds to particular amounts of focus displacement at focus actuator 206. Fixing the correlation of the magnitude of the output signal from gain 509 with particular physical displacements of OPU 103 allows the setting of thresholds that determine whether or not focus loop 501 is sufficiently closed to transfer data. Although discussed further in the Servo System Calibration disclosures, FES gain calibration 510 can determine an appropriate value of the gain for FES gain 509 by varying the distance between OPU 103 and optical media 102 and monitoring the peak-to-peak value of the resulting FES signal. In some embodiments, the gain of FES gain 509 can be fixed.

[0120] As a result of the calibrated gain of FES gain 509, the FES signal output from FES gain 509 can have a set peak-to-peak value. Between the peaks of the amplified FES signal from FES gain 509 is a near linear region of operation. Focus servo algorithm 501 operates in this region unless a shock sufficient to knock focus out of the linear region is experienced. It is beneficial if, between separate drives and between different optical media 102 on drive 100, along with any differences in detectors and actuator response between drives, that the FES output from FES gain 509 be normalized. This allows for threshold values independent of particular drive or particular optical media to be set based on the amplified FES to determine ability to read or write to optical media 102. In some embodiments, for example, the peak-to-peak motion of OPU 103 relative to optical media 102 may correspond to about a 10 μm movement.

[0121] However, although the amplified FES output from FES gain 509 can be normalized to a particular peak-to-peak value corresponding to particular displacements of OPU 103 relative to optical media 102, the amplified FES output can be non-linear between those peaks. FES inverse non-linearity 511 operates to remove the potentially destabilizing effects of non-linearity of the amplified FES. In some embodiments, calibration 512 may create a table of gains related to the slope of the FES as a function of the FES offset value. In that case, if a shock occurs and the servo is on a different offset value of the FES curve, then FES inverse non-linearity 511 can obtain a linearizing gain value from the table of gains. In that fashion, FES inverse non-linearity 511 can help quickly react to a shock to recover focus. In some embodiments, the FES curve can be recorded and the gain of FES non-linearity 511 can be set according to the recorded FES curve. In either case, the gain setting of inverse non-linearity 511 is set depending on the FES offset voltage, which determines the point on the FES curve about which servo system 501 is operating.

[0122] The output signal from FES inverse non-linearity 511 is input to coupling summer 513. An estimate of the optical cross-coupling with a corresponding TES signal is subtracted from the FES at summer 513. The estimated correction is determined by Tes-to-Fes Cross-Coupling Gain 514. TES-to-FES cross-coupling gain 514 may, in some embodiments, determine the amount of TES to subtract in summer 513 from a ratio produced by TES-to-FES Cross Talk Gain Calibration 579. As discussed further in the Servo System Calibration disclosures, calibration 579 can insert a small test component (e.g., a sine wave) to the tracking

control effort signal and measure the effects on the FES signal at the input of summer 513 in order to determine the ratio used in cross-coupling gain 514.

[0123] Therefore, a certain percentage of the TES signal is subtracted from the FES signal in summer 513. In some embodiments, the particular percentage (indicated by the gain of gain block 514) can be fixed. In some embodiments, a TES-to-FES cross-talk gain calibration 579 determines the gain of gain block 514. Cross-talk gain calibration 579 is further discussed in the Servo System Calibration disclosures. In some embodiments, the gain of gain block 514 can be changed depending upon the type of media, e.g. writeable or premastered, that OPU 103 is currently over.

[0124] The output signal from cross-talk summer 513 is input to FES sample integrity test 515. Sharp peaks may occur in the FES signal as a result of many factors, including defects in optical media 102, dust, and mechanical shocks. These signals occur as a dramatic change from the typical FES signal that has been observed at integrity test 515. In some embodiments, signals of this type may be on the order of 10 to 500 microseconds in duration. In many instances, the resulting FES signal may indicate an apparent acceleration of actuator arm 104 that is physically impossible. It would be detrimental to overall operation of drive 100 for focus servo algorithm 501 to respond to such sporadic inputs since, if there is a response by focus servo algorithm 501, recovery to normal operation may take a considerable amount of time. Therefore, integrity test 515 attempts to detect such signals in the FES signal and cause focus servo algorithm 501 to ignore it by filtering the signal out.

[0125] Integrity test 515 inputs a defect signal, which can be the defect signal output from disturbance detector 440 shown in FIG. 4. Essentially, upon receiving a defect signal, integrity test 515 creates a low-pass filtered version of the FES signal to substitute for the defective FES signal. In some embodiments, a defect flag can be set each time this occurs so that error recovery can be initiated if too many defects, resulting in filtered FES signals, are experienced. Use of the low-pass filtered FES signal over a long period of time can cause phase-margin problems in focus servo algorithm 501, which can affect the stability of drive 100.

[0126] In some embodiments, sample integrity test 515 may low-pass filter FES signal at its input and subtract the filtered FES signal from the received input FES signal. If a peak in the difference signal exceeds a threshold value, then the low-pass filtered FES signal is output from integrity test 515 instead of the input FES signal and a defect flag is set or a defect counter is incremented. The occurrence of too many defects in too short a time can be communicated to an error recovery algorithm. See the System Architecture Disclosures.

[0127] In some embodiments, the change in the FES signal between adjacent cycles can be monitored. If the change, measured by the difference between the FES signal in the current cycle and the previous cycle, is greater than a threshold value, then the low-pass filtered FES signal is output from integrity test 515 instead of the input FES signal and a defect flag can be set and the defect counter incremented.

[0128] In some embodiments, FES sample integrity test 515 may be disabled. Disabling FES sample integrity test 515, in some embodiments, may occur during focus acqui-

sition so that focus servo algorithm **501** can better respond to transient effects. In some embodiments, FES sample integrity test **515** may be disabled during multi-track seek algorithm **557** and during one-track jump algorithm **559**. In some embodiments, FES sample integrity test **515** may be disabled while track following during a read to write transition.

[**0129**] The output signal from FES sample integrity test **515** is input to TES OK detector **517**. If a low pass filtered (e.g., 200 Hz 2nd order low pass) version of the absolute value of the FES signal FES' output from integrity test **515** exceeds a TES OK threshold value, then a tracking error signal TES can not be trusted. In reality, if the FES signal deviates significantly from its best focus value, then the TES signal can become small. A small TES signal indicates to tracking servo algorithm **502** that tracking is good, which is not the case. Instead, focus has deviated so that tracking is no longer reliable. Under these conditions, an error recovery algorithm can be initiated. See the System Architecture Disclosures.

[**0130**] In some embodiments of the invention, the FES signal FES' is input to seek notch filter **590**. Seek notch filter **590** is adjusted to filter out signals at the track crossing frequency when a multi-track seek operation is being performed. Even though there is a TES-FES cross-coupling correction at summer **513**, not all of the TES signal will be filtered out of the FES signal, especially during a multi-track seek operation. Therefore, notch filter **590** can be enabled during a multi-track seek operation in order to help filter more of the TES-FES cross coupling from the FES signal. When not enabled, notch filter **590** does not filter and the output signal from filter **590** matches the input signal to filter **590**.

[**0131**] The FES signal output from notch filter **590** can be input to low frequency integrator **516**. The low frequency integrator provides further gain at low frequencies as opposed to high frequencies. Since the responses to which focus actuator **206** should respond, as discussed above, occur at low frequencies, there is a large incentive in focus servo loop **501** to increase the gain at low frequencies and place emphasis on the servo response at those frequencies. In order to further emphasize the low frequencies, in some embodiments low frequency integrator **516** can be a 2nd Order low frequency integrator. Integrator **516** provides additional error rejection capability for low frequency disturbances such as DC bias, external shock and vibration. An example transfer function for low frequency integrator **516** is shown in FIG. 5C. Low frequency integrator **516**, for example, can be particularly sensitive to frequencies less than about 100 Hz in order to boost servo response to frequencies less than 100 Hz.

[**0132**] The output signal from integrator **516** is input to phase lead **518**. Phase lead **518** provides phase margin or damping to the system for improved stability and transient response. In some embodiments, for example, phase lead **518** can be sensitive to frequencies greater than about 500 Hz. Again, in some embodiments of the invention, phase lead **518** can be a second order phase lead. Further, in some embodiments integrator **516** can be disabled during focus acquisition in order to allow focus servo system algorithm **501** to better respond to transient effects during a focus acquisition procedure. An example transfer function for phase lead **518** is shown in FIG. 5D.

[**0133**] In some embodiments, low frequency integrator **516** and phase lead compensation **518** are accomplished with second order filters instead of first order filters. A second order low frequency integrator provides more low frequency gain, providing better error rejection, than a first order integrator. Additionally, a second order phase lead compensator provides increased phase advance or phase margin at the servo open loop bandwidth than that of a first order phase lead compensator. The second order phase lead compensator also causes less high frequency amplification than that of a first order phase lead for the same amount of phase advance at the crossover.

[**0134**] The output signal from phase lead **518** can be input to a notch filter **519**. Notch filter **519** filters out signals at frequencies that, if acted upon by focus servo algorithm **501**, would excite mechanical resonances in drive **100**, for example in actuator arm **104**. In general, notch filter **519** can include any number of filters to remove particular frequencies from the FES signal output from phase lead **518**. In some embodiments, notch filter **519** filters out any signal that can excite a mechanical resonance of actuator arm **104** that occurs at around 6 KHz in some embodiments of actuator arm **104**.

[**0135**] The output signal from notch filter **519** is input to summer **521**. Summer **521** further receives a signal from focus close **535**. Focus close **535**, during operation, provides a bias control effort to servo loop **501**. In some embodiments, focus close **535** provides a focus acquire signal that is summed with the output signal from notch filter **519**. In some embodiments, the focus acquire signal operates through focus actuator **206** to first move OPU **103** away from optical disk **102** and then to move OPU **103** back towards optical disk **102** until an FES signal is acquired, after which the focus acquire signal is held constant. When the focus acquire signal is held constant at the bias control effort, servo algorithm **501** operates with the FES signal measured from the A, C, E, B, D, and F values and is therefore a closed loop (with a variation in the FES signal resulting in a corresponding correction in the focus control that is applied to focus actuator **206**).

[**0136**] The output signal from summer **521**, then, is input to loop gain **522**. Loop gain **522** applies a gain designed to set the open-loop bandwidth of servo algorithm **501** to be a particular amount. For example, in some embodiments the open-loop bandwidth is set at about 1.5 kHz, which means that the open loop frequency response of the entire servo loop (including OPU positioner **104**, signal processing, and algorithm **501**) is 0 dB at 1.5 kHz. Although focus loop gain calibration **522** is further discussed in the Servo System Calibration disclosures., in essence a sine wave generated in sine wave generator **528** is input to summer **523**, resulting in a modulation of focus control which translates into a modulation of the measured FES signal. The resulting response in the signal from summer **521** is monitored by discrete Fourier transform (DFT) **527**, and DFT **525** in combination with gain calibration **526** in order to set the gain of loop gain amplifier **524**. In some embodiments where the transfer function at 1.5 kHz should be unity, the sine wave generator provides a 1.5 kHz sine wave function to summer **523** and gain calibration **526** set the gain of loop gain **524** so that the overall gain of the 1.5 kHz component of the signal output from summer **521** is equal to the overall gain of the 1.5 KHz component of the signal output from summer **523**.

[0137] The output signal from loop gain 524 is input to multiplexer 531, along with a low-pass filtered version formed in filter 529 and a signal from sample and hold (S/H) 530. During normal operation, multiplexer 531 is set to output the output signal from loop gain 524. Although much of the optical cross-talk is canceled from the control effort signal at summer 513, there is still enough cross talk so that, while OPU 103 is crossing tracks on optical media 102, a track crossing component of the control effort will appear in the output signal of loop gain 524. In some embodiments, seek operations are accomplished at fairly high rates, resulting in a track crossing signal of the order of a few kHz. Therefore, during a seek operation a low-pass filtered version of the output signal from loop gain 524 can be substituted for the signal from loop gain 524. In some embodiments, the output signal from a sample and hold (S/H) 530 circuit can be substituted for the signal from loop gain 524 by multiplexer 531. The effects of changing FES as OPU 103 passes over multiple tracks can then be prevented from translating into a corresponding movement of OPU 103.

[0138] In a one-track jump operation, there is a similar concern about effects on the FES signal from crossing tracks (i.e., TES-FES crosstalk). In some embodiments, in a one-track jump, the output signal from sample and hold (S/H) 530 is output from multiplexer 531. Sample and hold (S/H) 530 holds the output signal to match that of previous output signals so that the resulting control effort is simply held constant through the one-track jump operation.

[0139] The output signal from multiplexer 531 is input to summer 533. The output signal from summer 533 is, then, the control effort signal that is input to focus DAC 464 (FIG. 4) from DSP 416 and then to power driver 340 to result in a current being applied to focus actuator 206 to provide focus. In summer 533, the output signal from multiplexer 531 is summed with an output signal from feed-forward loop 532. Feed-forward loop 532 inputs the output signal from multiplexer 531 and attempts to predict any regularly occurring motion of OPU 103 relative to optical media 102. These motions occur, for example, because optical media 102 is not flat and the surface of optical media 102 will vary in a regular way as optical media 102 is spun. As a result, left alone, there will be a FES generated having the same harmonic as the rotational rate of optical media 102. Feed-forward loop 532 provides these harmonics to summer 533 so that the control effort includes these regular harmonics. In that case, the FES signal calculated from signals A, C, E, B, F, D will not include these regular harmonics. In some embodiments, feed-forward loop 532 responds to multiple harmonics of any such regular motion of OPU 103 so that none of the harmonics are included in the calculated FES signal.

[0140] In order to determine if the focus is OK, a sum of all of the detector signals A, C, E, B, D and F is calculated in summer 534 and the resultant sum is input to Focus OK block 536. Focus OK block 536 compares the overall sum with a focus threshold value generated by FES Gain calibration 510 and, if the sum is greater than the focus threshold, indicates a focus OK condition. If, however, the sum is less than the focus threshold, then a focus open signal is generated by focus OK block 536. In some embodiments, focus OK block 536 may indicate an open focus condition only after the sum signal has dropped below the focus threshold for a certain period of time. This will prevent a defect situation (e.g., a dust particle) from causing servo algorithm 501 to lose (i.e., open) focus.

[0141] The output signal from summer 534 is also input to defect detector 591. Defect detector 591 monitors a high-pass filtered sum signal to identify the presence of media defects. In some embodiments, if the high-pass filtered sum signal exceeds a threshold value then the presence of a defect is indicated. In some embodiments, defect detector 591 can determine whether or not changes in the sum signal from summer 534 are the result of changes in laser power (for example in transitions from read to write or write to read or in spiraling over previously written data) as media defects. In some embodiments, defect detector 591 will "time-out" if the defect appears to remain present for a long period of time, which under that condition may indicate other than a media defect.

[0142] In some embodiments, defect detector 591 detects defects by detecting sudden changes in the sum signal. A change in laser power can result in a sudden change in the sum signal which can be falsely identified as a defect. In some embodiments, a laser servo controller can inform defect detector 591 of changes in laser power. Once defect detector 591 is notified of a change, then defect detector can delay for a time period (for example about 5 ms) to allow the sum signal and transients from a sum signal low pass filter in defect detector 591 to settle before proceeding to detect defects. Notification of defect detector 591 before a laser power change can reduce the risk of falsely identifying a defect. In some embodiments, defect detector 591, which can be executed on DSP 416, can monitor the focus sum threshold value, which can be changed in by microprocessor 432 when laser power is changed. Defect detector 591 can then be notified of changes in laser power by the change in focus sum threshold value.

[0143] Additionally, the sum signal can change when crossing media types (e.g., from premastered to writeable or from writeable to premastered). In some embodiments, multi-track seek algorithm 557 knows when a boundary crossing will occur. In some embodiments, multi-track seek algorithm 557 can inform defect detector 591 when a boundary is crossed so that a false defect detection at a boundary crossing does not occur. In some embodiments, the defect threshold value, the threshold value against which the sum signal is compared to detect defects, can be set large enough to not respond to changes in reflectivity associated with a media type boundary change. However, if the defect threshold value is set too high defects may not be detected.

[0144] Sliding Notch Filter 595 can reduce the effects of optical cross-talk (TES into FES) during multi-track seek operations. Multi-track seek controller 557 can be a velocity controlled servo controller. Sliding notch filter 595 can track the seek reference velocity of multi-track seek controller 557. For example, the maximum reference velocity could be 10 kHz and the minimum reference velocity could be 2 kHz. Sliding notch filter 595 can vary its center frequency from 10 kHz to 2 kHz as a function of the seek reference velocity multi-track seek controller 557.

[0145] Tracking servo algorithm 502, in many respects, is similar in operation to focus servo algorithm 501. In some embodiments, tracking servo algorithm 502, when closed, inputs detector signals A, C, B, and D and calculates a tracking error signal TES from which a tracking control

effort is determined. In some embodiments a coarse tracking control effort, which is output from loop gain calibration **562**, and a coarse tracking control effort, which is output from feedforward control **585**, can be output.

[**0146**] Detector signals A and C are input to block **538**, which calculates a tracking error signals TES_1 according to

$$TES_1=(A-C)/(A+C),$$

[**0147**] such as is described with **FIG. 2P**. Detector signals B and D are input to block **539**, which calculates TES_2 according to

$$TES_2=(B-D)/(B+D),$$

[**0148**] such as described with **FIG. 2Q**. The difference between TES_1 , and TES_2 is calculated in summer **540** to form a TES input signal, as is described with **FIG. 2R**. The TES input signal responds to variation in the tracking motion of OPU **103** (as controlled by tracking actuator **201**) as discussed above with the analog versions of signals A, C, E, B, D, and F, for example, with **FIGS. 2M through 2R**. In some embodiments, further processing of the TES signal may be performed, for example to reduce cross-talk.

[**0149**] The TES signal output from summer **540** is input to summer **541**, where it is summed with an offset value. The offset value is determined by TES offset calibration **542**. The output signal from offset summer **541** is input to TES gain **543**, which calibrates the peak-to-peak value of the TES signal in accordance with a TES gain calibration algorithm **544**. As discussed above, the TES signal as a function of tracking position is a sine wave. As discussed below, in some embodiments the TES offset value can be determined to be the center point between the maximum and minimum peaks of the TES sine wave. Additionally, in some embodiments the TES offset value can be affected by a determination of the optimum value of the TES offset value for data reads or writes and may vary for differing tracking positions across optical media **102**. In some embodiments, the TES gain calibration is set so that the peak-to-peak value of the resulting TES signal output from TES gain is at a preset peak-to-peak value. The preset peak-to-peak value is selected to provide the best dynamic range over the range of tracking motion of OPU **103**.

[**0150**] Information regarding the peak-to-peak value of the TES signal as a function of position on optical media **102** can be determined in TES P-P **545**. In an open tracking situation, the TES signal varies through its range of motions as tracks are crossed by OPU **103**. TES P-P **545**, in some embodiments, records the highest and lowest values of the TES signal as the peak-to-peak values. In some embodiments, an average of the highest and lowest values of the TES signal is recorded as the peak-to-peak values. The peak-to-peak values can be input to Offset calibration **542** which calculates the center point and gain calibration **544**, which calculates the gain required to adjust the peak-to-peak values to the preset value.

[**0151**] The TES signal output from offset **541** is input to TES gain **543**. TES gain **543** can, in some embodiments, be calibrated by TES offset calibration **542**. Calibration algorithms, such as TES offset calibration **542**, are further described in the Servo System Calibration disclosures.

[**0152**] The TES signal output from TES gain **543** is input to TES inverse non-linearity **546**. TES inverse non-linearity

546 operates to linearize the TES signal around the operating point determined by the TES offset, as was discussed above with respect to FES inverse non-linearity **511**. Calibration **547** can calculate the gain of TES non-linearity **546** for various values of TES offset to linearize the TES signal as a function of position about the operating point.

[**0153**] The output signal from TES inverse non-linearity **546** is input to TES sample integrity test **548**. TES sample integrity test **548** operates with the TES signal in much the same fashion as FES sample integrity test **515** operates with the FES signal, which is discussed above. In some embodiments, TES sample integrity test **548** can be enabled with an enablement signal. When TES sample integrity test **548** is not enabled, then the output signal from TES sample integrity test **548** is the same as the input signal to TES sample integrity test **548**.

[**0154**] The input signal to TES sample integrity test **548** and the input signal to FES sample integrity test **515** and a defect signal produced by defect detector **591** are input to write abort algorithm **537**, which determines whether, in a write operation, the write should be aborted. If it appears from FES or TES that TES or FES is too large (i.e., one of TES and FES has exceeded a threshold limit), then write abort **537** aborts a write operation to the optical media **102** by providing an abort write flag. However, if TES or FES exceeds the threshold limits and defect detector **591** indicates a defect, the write is not aborted. In some embodiments, low pass filtered FES and TES values are utilized to determine whether FES or TES are too large. Low pass filtered FES and TES values can essentially include the DC components of the FES and TES signals. A programmable number N, for example **2**, consecutive samples with TES or FES above limits and a defect indicated are allowed before write abort **537** aborts a write operation. Aborting the write can prevent damage to optical media **102** due to the high power of laser **218**, which crystallizes the amorphous material on the writeable portion of optical media **102**. Further, damage to adjacent track data can also be prevented.

[**0155**] The output signal from TES sample integrity test, TES', is, in a closed tracking situation, input to low frequency integrator **549** and then to phase lead **550**. Low frequency integrator **549** and phase lead **550** operate similarly to low frequency integrator **516** and phase lead **518** of focus servo algorithm **501**. Again, in order to provide better response to low frequency portions of TES, low frequency integrator **516** and phase lead **518** can be second order filters. As discussed previously, a second order low frequency integrator provides more low frequency gain, providing better error rejection, than a first order integrator. Additionally, a second order phase lead compensator provides increased phase advance or phase margin at the servo open loop bandwidth than that of a first order phase lead compensator. The second order phase lead compensator also causes less high frequency amplification than that of a first order phase lead for the same amount of phase advance at the crossover.

[**0156**] The output signal from phase lead **550** is input to notch filter **551**. Notch filter **551** can be calibrated by notch calibration **552**. Again, notch filter **551** prevents control efforts having frequencies that excite mechanical resonances in actuator arm **104**. These mechanical resonances can be well known in nature (depending on the structure of actuator

arm 104) but may vary slightly between different drives. The output signal from notch filter 551 can be input to a second notch filter 553 in order that fixed and known resonances can be filtered. Notch filter 551 and notch filter 553 can each include multiple notch filters.

[0157] In some embodiments, the output signal from notch filter 553 is input to a retro-rocket loop gain amplifier 830. Retro rocket 830 provides additional gain to tracking servo loop 501 after execution of a multi-track seek operation in order to more aggressively close tracking on a target track. Retro rocket 830 is enabled by multi-track seek controller 557.

[0158] In a closed-tracking mode, switch 556 is closed and the output signal from notch filter 553 is input to multiplexer 558. Again, in a closed tracking mode, multiplexer 558 provides the output signal from notch filter 553 to loop gain calibration 562. As discussed above with respect to focus loop gain calibration 522, loop gain calibration 562 arranges that the frequency response at a selected frequency is 0 dB. To do that, a sine wave generated in generator 568 is added to the control effort in summer 563 and the response in input signal to gain calibration 562 is monitored. The input signal is provided through Discrete Fourier Transform (DFT) 567 to gain calibration 566, along with the output signal from summer 563 processed through DFT 565. Gain calculation 566, then, sets the gain of loop gain 564 so that the open loop gain has 0 dB of attenuation at that frequency. The bandwidth set by loop gain calibration 562 may differ from the bandwidth set by focus loop gain calibration 522.

[0159] Switch 556 is closed by close tracking algorithm 555. When tracking is open, the TES signal is a sine wave as tracks pass below OPU 103. The period of the sine wave represents the time between track crossings. Tracking can be closed near, for example, the positive sloping zero-crossing of the TES versus position curve (see FIG. 2R). If a track closing is attempted at a zero-crossing with the improper slope, tracking servo algorithm 502 will operate to push OPU 103 into a position at the zero-crossing with the proper slope.

[0160] In some embodiments, TZC detector 554 receives the TES' signal from TES sample integrity test 548 and determines the track zero-crossings TZC and the TZC period, which indicates how fast tracks are crossing under OPU 103. In some embodiments, TZC can be input from tracking crossing detector 454 and that TZC value can be utilized to compute the TZC period. If the track crossings are at too high a frequency, then tracking algorithm 502 may be unable to acquire tracking on a track. However, in another part of the rotation of optical media 102 the track crossing frequency will become lower, providing an opportunity to acquire tracking. In some embodiments, close tracking algorithm 555 can reduce the angular speed of spin motor 101 if the track crossing frequency is too high.

[0161] Therefore, when close tracking algorithm 555 is commanded to close tracking, close tracking algorithm 555 monitors the TZC period and, when the TZC period gets high enough (i.e., the frequency of track crossings gets low enough), tracking algorithm 555 closes switch 556 to close tracking servo loop algorithm 502 to operate closed loop on a track. However, there can be large transients when switch 556 is closed because OPU 103 can have some initial velocity with respect to the track when switch 556 is closed.

Therefore, the lower the frequency of crossing (indicating a lower speed of OPU 103 with respect to the tracks), the lower the transients caused by closing switch 556. Prior and during closing of switch 556, the low frequency integrator 549 is disabled by a enable signal from close tracking algorithm 555.

[0162] In some embodiments, the output signal from loop gain 564 provides a fine control effort. In some embodiments, tracking DAC 468 (FIG. 4) is an 8-bit digital-to-analog converter. Tracking actuator 201, however, needs to move OPU 103 from the inner diameter (ID) of optical media 102 to the outer diameter (OD) of optical media 102. Therefore, although actuator arm 104 must move OPU 103 from ID to OD, while tracking is closed small motions of OPU 103 around the tracking position are required. For example, in some embodiments when tracking is closed OPU 103 moves in the range of approximately ± 70 nm around a central position. Further, in some embodiments a full stroke from ID to OD is approximately $\frac{1}{4}$ inch to a $\frac{1}{2}$ inch. In addition to the large dynamic range required to move OPU 103 from ID to OD on optical media 102, there is also a spring force in the mounting of spindle 203 of actuator arm 104 to overcome.

[0163] Therefore, in some embodiments of the invention a second DAC converter can be utilized as a coarse actuator control while the control effort from loop gain 564 can be utilized as a fine actuator control. The tracking control effort signal output from loop gain 564, then, is input to tracking DAC 468 (FIG. 4). Tracking DAC 468 can have any number of bits of accuracy, but in some embodiments includes an 8-bit digital to analog converter.

[0164] In some embodiments, a coarse tracking control effort is generated by bias feedforward control 585. The coarse tracking control effort generated by bias feedforward control 585 can be the low-frequency component of the tracking control effort produced by loop gain 564. The coarse tracking control effort, then, can be communicated to microprocessor 432, which can then transfer the coarse control effort to power driver 340 (FIG. 3A) through serial interface 458. A second digital-to-analog converter in power driver 340, in some embodiments having an accuracy of 14 bits, receives the coarse control effort from microprocessor 432 through serial interface 458. In power drive 340, the analog course control effort is then summed with the analog fine control effort from DAC 468 to provide the whole tracking control current to tracking actuator 201. Therefore, microprocessor 432 can determine the low frequency component of the tracking control effort in order to bias tracking actuator 201 while DSP 416, executing tracking servo algorithm 502, determines the fine tracking control effort to hold OPU 103 on track.

[0165] In some embodiments, the output signal from loop gain 564 is input to anti-skate algorithm 593. Anti-skate algorithm 593 receives a direction signal from direction detector 592 and an anti-skate enable signal from tracking skate detector 561. Anti-skate algorithm 593, when enabled, determines which TES slope is stable and which is unstable. The stable slope will be different for the two opposite directions of motion of OPU 103 relative to optical media 102. For example, if a positive sloping TES signal is stable when OPU 103 is traveling from the inner diameter (ID) to the outer diameter (OD), the negative sloping TES signal is

stable when OPU 103 is traveling from the OD to the ID. Anti-skate algorithm 593, then, prevents tracking control loop 502 from closing on an unstable slope, which can prevent further skating from attempting to close on the unstable slope. During periods when the tracking error signal indicates an unstable slope, a substitute tracking control effort can be substituted for the tracking control effort received from tracking servo system 502. Anti-skate algorithm 593 allows tracking control algorithm 502 to more easily close onto a track once a significant disturbance has caused the tracking servo to slide across several tracks (i.e. skate).

[0166] Bias control 585 receives the control effort signal from loop gain 564 through anti-skate algorithm 502. Low pass filter 569, which can be a 200 Hz second order filter, receives the tracking control effort and passes only the low frequency component. The sign of the signal output from low pass filter 569 is detected in sign 570. The sign adds a set amount (for example +1, 0, or -1) to a track and hold circuit that includes summer 574 and feedback delay 575. With 0 inputs to summer 574, the output signal from summer 574 will be the last output signal received, as is stored in delay 575. Sign 570, then, determines whether to increase the bias value of the coarse control effort or decrease the bias value of the coarse control effort. Since the decision to increase or decrease the coarse control effort occurs only during an interrupt cycle of microprocessor 432, and since a single increment or decrement is made per cycle, the coarse control effort resulting from bias forward control 585 varies very slowly (for example, one increment every 2 ms).

[0167] In operations, bias control 585 essentially removes the low frequency component of the fine tracking control effort output from loop gain 564 by transferring the low frequency control effort to coarse control effort output from bias control 585. A constant control effort appearing on the fine tracking control effort, for example, will eventually be totally transferred to the coarse tracking control effort output from bias control 585. However, if the interaction between the fine tracking control effort and the coarse tracking control effort is too fast, there can be stability problems. Therefore, there is incentive to make bias control 585 respond slowly to changes in the low frequency component of the tracking control effort output from loop gain 564. The incrementing or decrementing of the coarse control effort output from bias control 585 occurs during the regular interrupt time (Ts) for operating microprocessor 432, which can in some embodiments be about 2 milliseconds.

[0168] In a closed tracking mode, the coarse control effort signal output from summer 578 changes very slowly. However, during seek operations there is a need to change the coarse control effort signal much more quickly. Therefore, during seek operations, the output signal from low pass filter 569 is further filtered through low pass filter 571. A portion (indicated by K multiplier in block 576) is added in summer 574 to the coarse control effort and to summer 578, whose output is the coarse control effort. Therefore, during seek operations the coarse control effort output from bias control 585 can change quickly. Low pass filter 571 allows frequencies low enough (e.g., less than about 20 Hz) to allow the seek control effort to increase the coarse control effort faster than the incremental changes allowed by switch 573 but is of low enough frequency that other disturbances do not affect the coarse control effort output by summer 578.

[0169] Additionally, the output signal from low pass filter 569 is input to off-disk detection algorithm 572, which monitors very low frequency components. Since very low frequency components of the TES are amplified a great deal through integrator 549 and phase lead 550, an essentially DC component of TES will have a large gain and, therefore, will be a large component of the tracking control effort output from loop gain 564. This low frequency component is not filtered by low-pass filter 569 and, therefore, is input to off-disk detection algorithm 572. If a large DC signal is observed over a period of time, off-disk detection algorithm 572 concludes that OPU 103 is outside of the operational range of optical media 102 and provides an error message to microprocessor 432. Microprocessor 432, as described in the System Architecture disclosures, then takes the appropriate error recovery steps.

[0170] In some embodiments, a calibrated tracking feed-forward control 579 can also be included. Feed-forward control 579 can determine any regular variations in the tracking control effort produced by loop gain 564 and insert a corresponding harmonic effort into the tracking control effort in order to anticipate the required motion of OPU 103. Those harmonics, then, would be subtracted from the TES.

[0171] When close tracking algorithm 555 closes tracking, in some embodiments integrator 549 and sample integrity test 548 may be disabled when switch 556 is first closed. This will increase the damping, at the cost of reduced low frequency gain, in tracking servo loop algorithm 502. Once switch 556 is closed, close tracking algorithm 555 may wait some time for any transient effects to decay before enabling integrator 549 and then enabling sample integrity test 548. In other words, before the low frequency components of TES are boosted by integrator 549, servo loop algorithm 502 and actuator arm 104 have settled close to the desired tracking position.

[0172] The TES' signal from sample integrity test 548 can also be input to multi-track seek controller 557, one track jump control 559, and tracking skate detector 561. Multi-track seek controller 557, in a multi-track seek operation, supplies a control effort to multiplexer 558 which, when selected, causes actuator arm 104 to move OPU 103 near to a target track on optical media 102. After OPU 103 is at or near the target track, then close tracking algorithm 555 can be activated to close tracking at or near the target track. One track jump algorithm 559, which can be calibrated by a calibration algorithm 560, outputs a control effort signal to multiplexer 558 which, when selected, moves OPU 103 by one track. In some embodiments, a large motion of OPU 103 can be undertaken by multi-track seek controller 557 and then one track jump control 559 can operate to move OPU 103 closer to the target track before tracking is closed by close tracking algorithm 555. Tracking skate detector 561 monitors FES' and indicates when tracking has been opened. If tracking skate detector 561 indicates an open tracking condition, then tracking may need to be reacquired. Furthermore, tracking skate detector 561 enables anti-skate algorithm 593. A signal can be sent to microprocessor 432 so that microprocessor 432 can execute error recovery algorithms, which in this case may involve reacquiring tracking long enough to determine the position of OPU 103 and then performing a seek operation to move OPU 103 to the selected track and reacquiring tracking at the selected track. See the System Architecture Disclosures.

[0173] FIGS. 5E and 5F show an embodiment of tracking skate detector 561. As shown in FIG. 5E and 5B, tracking skate detector 561 receives the TES' signal from TES sample integrity test 548. As shown in FIG. 5F, as OPU 103 moves across tracks the TES' signal shows a sinusoidal signal. The absolute value of the TES' signal is calculated in block 594. The output signal from absolute value block 594 is then input to low pass filter 595. In effect, low pass filter 595 can act as an integrator. The output signal from low pass filter 595 is input to compare block 598 where it is compared with an anti-skate threshold. The output signal from compare block 598 is input to threshold counter 599. If the output signal from low pass filter 595 exceeds the anti-skate threshold more than a maximum number of clock cycles, then counter 599 sets the enable anti-skate flag, enabling anti-skate algorithm 593.

[0174] The output signal from low pass filter 595 is also input to compare block 596. Compare block 596 compares the output signal from low pass filter 595 with a skate threshold, which is typically larger than the anti-skate threshold. The output signal from compare block 596 is input to counter 597. If the skate threshold is exceeded for a maximum number of cycles, then counter 597 outputs a skate detected flag. The skate detected flag can then indicate that tracking is open.

[0175] FIG. 5G shows an embodiment of direction sensor 592. Direction sensor 592 determines the direction that optical pick-up unit 103 is traveling radially across the surface of optical pick-up unit 103. Summer 5001 sums the optical signals from outside elements of detectors 225 and 226 (FIG. 2D), elements 231, 233, 234 and 236, to form a direction sum signal. In some elements, more or less than two detectors are including in optical pick-up unit 103. The direction sum signal from summer 5001 includes both DC and AC components. The DC component of the direction sum signal represents the laser intensity of laser 218. The AC component of the direction sum signal is dominated by a quadrature signal, which looks similar to TES when crossing tracks except that it is 90 degrees out of phase with the TES. In some embodiments, for example, the direction sum signal can be 90 degrees phase advanced when traveling from the inner diameter (ID) to the outer diameter (OD) of optical media 102 (FIG. 1B) and 90 degrees phase lagged when traveling from OD to ID of optical media 102.

[0176] The direction sum signal is input to sample and hold 5002 while the TES, for example from the output signal from summer 541, is input to sample and hold 5003. Media defects on optical media 102 can cause erroneous direction sum signals and TES signals, therefore the Sample and Hold S/H functions 5002 and 5003 hold the high pass filter input signals constant during the presence of a media defect, indicated by the defect signal from defect detector 591.

[0177] The output signals from sample and holds 5002 and 5003 are input to high pass filters 5004 and 5005, respectively. The disk reflectivity of optical media 102 varies as a function of disk angular orientation resulting in an undesirable AC signal at the first harmonic of the rotation frequency of optical media 102. The High Pass filter cutoff frequency of filters 5004 and 5005, then, can attenuate the first harmonic reflectivity variation signal. The output signal from High Pass filter 5004, SumHp, is an AC signal representing the quadrature component from the sum signal. Block 5006

converts the analog SumHp signal into a digital logic signal SumHpD, depending on whether SumHp is greater than or less than zero. High Pass Filter 5004 introduced a phase shift into the resulting SumHpD. High Pass Filter 5005 introduces the same phase shift into the TES in order to form a TESHpD signal, which then has a matching phase shift. Similarly, block 5007 converts the TESHpD signal into a logic signal by comparing the TESHpD signal with zero. Logic blocks 5007, 5008, 5009, 5010 and 5011 together perform the following logic function:

$$\text{Direction}' = (\text{TESHpD AND } \overline{\text{SumHpD}}) \text{ OR } (\overline{\text{TESHpD AND SumHpD}})$$

[0178] The polarity of the direction sensor changes between Mastered and Write-able media. Inverter 5012 inverts Direction' and switch 5013 outputs a direction signal from the output signal of inverter 5012 or from direction', depending on whether OPU 103 is over mastered or write-able media.

[0179] FIG. 6 shows an embodiment of a close tracking algorithm 555 (FIG. 5B). Close tracking algorithm 555 closes tracking servo algorithm 502 and therefore acquires tracking. In step 601, algorithm 555 receives a command to close tracking. The close tracking command can originate from microprocessor 432 or from another algorithm executing in DSP 416. Once the close tracking command is received, algorithm 555 proceeds to step 611

[0180] In step 611, the TES gain is set based on the peak-to-peak value of the TES signal. In some embodiments, the TES gain can be set for groove crossings or bumps. From step 611, algorithm 555 proceeds to step 602.

[0181] In step 602, algorithm 555 determines the TZC period in order to determine the track crossing speed, indicating the relative velocity between OPU 103 and the tracks on optical media 102. The track crossing speed is related to the period of track crossing parameter TZC, which can be determined from TZC detector 554 or can be calculated from TES'.

[0182] After the track crossing speed is determined in step 602, algorithm 555 checks for a time-out condition in step 603 by determining whether too much time has passed since the close tracking command was received in step 601. If too much time has passed, a microprocessor time-out flag is set and microprocessor 432 proceeds to an error recovery routine. Otherwise, algorithm 555 proceeds to step 604.

[0183] Step 604 determines if the track crossing rate is too high to close tracking. Step 604 can determine if the track crossing rate is too high, for example, by comparing the TZC period with a track close threshold. If the threshold is not exceeded, then the track crossing rate is too high and algorithm 555 returns to step 602. If the track crossing rate is low enough, then algorithm 555 continues to step 605.

[0184] In step 605, close tracking algorithm 555 closes switch 556, thereby closing the tracking servo loop. When switch 556 is first closed, integrator 549 and integrity test 548 are disabled to allow better response of the tracking servo loop while transient effects decay. Once switch 556 is closed, algorithm 555 proceeds to step 606.

[0185] In step 606, algorithm 555 delays long enough for transient effects from closing switch 556 to decay. Once a particular delay time period has elapsed, algorithm 555

proceeds to step 607 where integrator 549 is enabled. Enabling integrator 549 introduces a new set of transient effects. Therefore, once integrator 549 is enabled, algorithm 555 proceeds to step 608, which waits for another delay time. Once the second delay time has elapsed, algorithm 555 proceeds to step 609 where TES sample integrity test 548 is enabled.

[0186] Once step 609 is complete, algorithm 555 proceeds to step 610 where a tracking closed flag can be sent to either microprocessor 432 or DSP 416, depending on where the original close tracking command originated. In some embodiments of the invention, algorithm 555 is performed as a joint effort between both microprocessor 432 and DSP 416. For example, microprocessor 432 may command DSP 416 to close loop in step 601. DSP 416 receives TZC period in step 602 and checks to see if the TZC is below a TZC threshold in step 604. Meanwhile, microprocessor 432 begins a time-out clock. If DSP 416 has not closed switch 556 within the time-out period, then microprocessor 432 proceeds to error recovery. Once switch 556 is closed, DSP 416 will not proceed on this algorithm until, in step 607, microprocessor 432 tells DSP 416 to enable integrator 549. Microprocessor 432 controls the relative timing, while the DSP 416 is slaved and only responds to commands from microprocessor 432. Further, once integrator 549 is enabled in step 607, microprocessor 432 then can tell DSP 416 to enable sample integrity test 548. In some embodiments, without commands from microprocessor 432, DSP 416 will not change state.

[0187] FIG. 7A shows a block diagram of an embodiment of focus close algorithm 535. Focus close algorithm 535 asserts control efforts onto the focus control effort through summer 521. In some embodiments, summer 521 may be replaced with a switch or multiplexer circuit that chooses a control effort originating from focus close algorithm 535 or from notch filter 519.

[0188] Algorithm 535, in some embodiments, starts with a control effort so that OPU 103 is positioned away from optical media 102 (i.e., the distance between OPU 103 and optical media 102 is larger than the focus distance). Algorithm 535 then generates a control effort to move OPU 103 closer to optical media 102 until the control effort is appropriate for a focus distance. Once OPU 103 is near the focus distance, then algorithm 535 holds its contribution to the control effort constant while the focus servo loop 501 generates the additional focus control effort required to maintain closed loop focus.

[0189] In step 701, a focus acquire flag is set. The focus acquire flag can be set by a routine executing in microprocessor 432 or in DSP 416. In step 703, algorithm 535 determines whether the actuator is positioned appropriately to start a focus acquisition procedure. This can be tested by setting a range of values for the current focus control effort or by comparing with a threshold value for the focus control effort. In some embodiments, the current in focus actuator 206 is zero and algorithm 535 needs to push OPU 103 away from optical media 102.

[0190] If the control effort for focus actuator 206 is not positioned appropriately, then algorithm 535 must generate a focus control effort appropriate to move OPU 103 to an acceptable starting point. In addition, algorithm 535 should provide a control effort that moves OPU 103 in such a way

as to not excite mechanical resonances in actuator arm 104. For example, if a focus control effort profile is generated by algorithm 535 that simply sets the focus control effort to a value calculated to be the value at the acquisition starting position, many mechanical resonances are likely to be excited in actuator arm 104. Should mechanical resonances in actuator arm 104 become excited, there may be transient motions generated with large decay times, increasing significantly the amount of time required for focus acquisition. In some embodiments, in step 704 algorithm 535 generates a sinusoidal starting focus control effort profile which moves OPU 103 to an acquisition starting position in a smooth fashion.

[0191] FIG. 7B shows an example of a starting focus control effort profile generated in step 704. Step 704 generates a sine wave with one peak being at the current focus control effort (indicating the current position of OPU 103 relative to optical media 102) and the opposite peak being at the acquisition starting position control effort. The starting focus control effort can be applied to focus actuator 206 in step 705 by adding the starting focus control effort into the focus control effort at summer 521. This method of positioning elements, in both the focus and the tracking directions, can be widely utilized. In other words, whenever OPU 103 needs to be positioned relative to optical media 102, a smooth control effort as described above can be generated and applied. The resulting smooth motion of OPU 103 can reduce excitations of mechanical resonances which may be obtained by application of more abrupt control efforts.

[0192] If, in step 703, OPU 103 is already at an appropriate starting acquisition position, then algorithm 535 proceeds to step 706. Additionally, after the starting control effort is applied to focus actuator 206, then algorithm 535 proceeds to step 706.

[0193] In step 706, algorithm 535 generates an acquisition control effort that moves OPU 103 from the starting acquisition position through the best focus position. Algorithm 535, in some embodiments, can provide the focus acquisition control effort required to move OPU 103 from the starting acquisition position through the best focus position. However, again if mechanical resonances are excited in actuator arm 104, it may take some time for the transient oscillations to damp out. Therefore, in some embodiments, step 706 calculates a sinusoidal focus acquisition control effort between the starting acquisition position and the control effort corresponding to a position close to optical media 102. In some embodiments, the position close to optical media 102 may be the closest position that OPU 103 can be moved toward optical media 102. Such a focus acquisition control effort profile is shown in FIG. 7C.

[0194] Once the focus acquisition control effort profile is calculated, then in step 707 DSP 416 is enabled to monitor the sum signal from summer 534, which generates the sum of all of the detector signals A, B, C, D, E, and F, and the FES signal output signal from summer 513 in order to determine when focus has been acquired. In step 708, the focus acquisition control effort according to the focus acquisition control effort profile calculated in step 706 is applied through summer 521 to the focus control effort, and therefore applied to focus actuator 206 in order to physically move OPU 103 through the best focus position.

[0195] In step 710, algorithm 535 monitors the closure criteria during the application of the focus acquisition con-

trol effort profile. If the closure criteria is not satisfied, then algorithm 535 proceeds to step 711. In step 711, algorithm 535 checks to see if the closest position has been reached. If in step 711, it is determined that OPU 103 has not yet reached the closest position, then algorithm 535 proceeds to step 708 to continue to apply the focus acquisition control effort profile as the focus control effort.

[0196] Step 710 can determine whether OPU 103 is close to the focus position, in some embodiments, by the sum signal output from summer 534. In that case, if the sum signal is above a focus sum threshold determined by FES gain calibration 510, then OPU 103 is near to the focus position. Furthermore, close to the focus position the FES signal will be near zero. Therefore, in some embodiments the closure criteria of step 710 can be that the sum signal is above a sum threshold and the FES signal is below an FES threshold.

[0197] If in step 710 algorithm 535 determines that the closure criteria is satisfied, algorithm 535 proceeds to step 712. In step 712, algorithm 535 closes the focus loop without integrator 516 being enabled. Algorithm 535 then sets the current focus control effort to the bias control effort. In that case, step 712 maintains the focus control effort from the acquisition focus control effort profile when the closed criteria was satisfied. The acquisition focus control effort is held constant by algorithm 535 when focus is closed as long as focus remains closed.

[0198] In step 714, algorithm 535 delays for transient effects to decay before turning integrator 516 on in step 716. Algorithm 535 can further delay in step 718 for transient effects to decay before enabling FES sample integrity test 515 in step 720. Once focus is closed and integrator 516 and sample integrity test 515 are enabled, a focus acquisition complete flag can be set in step 723. In some embodiments, the "begin acquisition position" of step 704 may be recalibrated and stored for future executions of algorithm 535 in step 723.

[0199] If the closure condition of step 710 is not met, algorithm 535 proceeds to closest position check step 711. If algorithm 535 determines in step 711 that OPU 103 is at a closest position to optical media 102, then algorithm 535 sets a focus error bit in step 713. In some embodiments, the closest position can be the physically closest distance that OPU 103 can be from optical media 102. In some other embodiments, however, the closest position refers to a closest allowable position that can be a predetermined value.

[0200] Once the focus error bit is set in step 713, algorithm 535 can proceed to step 715. In step 715, algorithm 535 determines a sinusoidal tracking control effort profile that moves OPU 103 away from optical media 102 to a focus off position. As before, the sinusoidal tracking control effort can be determined, as is shown in FIG. 7D, by fitting a half sine wave between the closest position and the focus off position. A focus control effort according to the sinusoidal tracking control effort is applied to focus actuator 206 in step 717. Once OPU 103 has reached the focus off position in step 719, then algorithm 535 exits in a failed condition in step 721. If focus acquisition fails, then error recovery routines can be initiated as is described in the System Architecture disclosures. In some embodiments, the error recovery routines can attempt to execute focus close algorithm 535 multiple times or change the "Begin Acquisition Position" in step 704 of algorithm 535 shown in FIG. 7A.

[0201] FIGS. 8A and 8B illustrate an embodiment of multi-track seek algorithm 557. FIG. 8A shows a block diagram of an embodiment of multi-track seek algorithm 557 while FIG. 8B shows signals as a function of time for performing a multi-track seek function according to the present invention.

[0202] FIG. 8B shows the TES, tracking control effort, FES, and focus control effort signals during a multi-track seek operation performed by algorithm 557. During time period 821, focus servo algorithm 501 and tracking servo algorithm 502 are both on and tracking. At the beginning seek period 822, algorithm 557 generates a seek tracking control effort profile which includes an acceleration tracking control effort 825 and a deceleration tracking control effort 827. A coasting or clamped tracking control effort 826 can also be included between acceleration effort 825 and deceleration effort 827.

[0203] The TES signal, then, begins to sinusoidally vary when acceleration tracking control effort 825 is applied to tracking actuator 360. The period of the sinusoidal variation indicates the track crossing velocity. During acceleration, the period is decreasing indicating an increasing track crossing velocity. In some embodiments, seek algorithm 557 may clamp velocity at a particular value. Further, acceleration control effort 825 and deceleration control effort 827 may be calculated by controlling the actual acceleration of OPU 103 relative to optical media 102 as measured with the varying period of the sinusoidal TES. In FIG. 8B, a track crossing velocity curve that may be generated by seek algorithm 557 is shown, which indicates a constant acceleration the period when acceleration tracking control effort 825 is applied and a constant deceleration the period when deceleration tracking control effort 827 is applied. During period 823, seek algorithm 557 reacquires a tracking on condition in tracking servo algorithm 502.

[0204] In some embodiments, during the seek operation the FES control effort is selected in multiplexer 531 to be the low-pass filtered focus control effort output by low pass filter 529 in order that TES-FES crosstalk effects are minimized. In some embodiments, the output signal from sample and hold 530 is selected by multiplexer 531 during seek operations. In some embodiments, seek cross-talk notch filter 590 can also be enabled during the seek operation in order to reduce the effects of the sinusoidal TES on FES. Therefore, in operation seek algorithm 557 in some embodiments adjusts multiplexer 531 to receive the focus control effort from filter 529 and can enable notch filter 590. Algorithm 557 also adjusts multiplexer 558 to receive a tracking control effort generated by algorithm 557, turning tracking servo algorithm 502 off. Algorithm 557 then generates and applies a seek tracking control effort profile, which is responsive to the velocity of OPU 103, and moves OPU 103 to a target track on optical media 102. The velocity of OPU 103 can be determined by measuring the period of the sinusoidally varying TES. Once algorithm 557 completes the actual move of OPU 103, then tracking is reacquired in close tracking algorithm 555 and multiplexer 558 is reset to receive the focus control effort signal from notch filter 553 through switch 556. Further, multiplexer 531 is reset to pass the signal output from loop gain 524 as the focus control effort.

[0205] FIG. 8A shows a block diagram of an embodiment of algorithm 557. The TES' signal output from TES sample

integrity test **548** is received by Track Zero Crossing (TZC) detector **801**. TZC detector **801** determines the track crossings and, in some embodiments, each time a track is crossed generates a pulse signal. In some embodiments of the invention, algorithm **557** may read the TZC signal from track crossing detector **454** (see **FIG. 4**). In some embodiments, TZC detector **801** receives a defect signal from defect detector **591**. The defect signal disables the TZC detector output from generating a pulse during the presence of a media defect. The TZC signal is input to TZC counter **802** and TZC period **803**. TZC detector **554** of **FIG. 5B** includes TZC detector **801** and TZC period **803**. TZC counter **802** counts the number of tracks crossed. The Direction signal from Direction Detection **592** determines the direction TZC counter **802** counts. For example, if a direction reversal occurs near the end of a seek possibly due to an external disturbance, then the counter will increment instead of decrement. This assures the seek crosses the correct number of tracks. TZC period **803** calculates the time period between successive track crossings. Seek completion detection **816** monitors the number of tracks crossed from TZC counter **802** and indicates whether seek is complete. Seek complete detection **816**, therefore, also indicates the number of tracks remaining to the target track. In addition, seek complete detection **816** can output a retro-rocket signal which can enable retro-rocket gain **830**. In some embodiments, seek completion **816** indicates that the seek is completed when the count exceeds the target count and when the TES signal has an appropriate slope in which to close tracking.

[**0206**] In some embodiments, TZC counter **802** receives a signal indicating each full rotation of optical media **102**. During seek operations, optical media **102** continues to rotate. The rotations can cause additive seek length error to the actual seek length if the seek servo simply counts track crossings in TZC counter **802** instead of taking the track spiral into account. Predicting the number of disk rotations based upon seek length could be used; however, this method does not account for seek time variations caused by outside factors such as, for example, mechanical disturbances. TZC counter **802**, by incrementing the TZC count during seeks on each rotation of optical media **102**, can prevent errors in seek length.

[**0207**] A velocity profile is calculated in reference velocity calculation **805**. The velocity profile calculated in reference velocity calculation **805** can, as shown in **FIG. 8B**, be optimized to move OPU **103** to the target track in a minimum amount of time without exciting resonances and stop OPU **103** at or very near the target track. FB velocity calculation **806** receives the measured track crossing period from TZC period **803** and calculates the actual velocity of OPU **103**. The difference between the reference velocity calculation from calculation **805** and the actual velocity as calculated by calculation **806** is formed in summer **807**, which outputs a velocity error value. In some embodiments, the output signal from calculation **806** is input to a sign block **818** which, based on the direction signal from direction detector **592**, multiplies the calculated FbVEL value from block **806** by the sign of the direction signal.

[**0208**] In some embodiments, FB Vel calculation **806** calculates the velocity based on the time between half-track crossings. In some embodiments, at higher velocities, two consecutive half-track periods can be averaged. The sam-

pling rate of algorithm **557** is the half-track crossing rate, which can be quite low (e.g. 2 kHz at track capture) resulting in a low bandwidth closed loop seek servo. The low bandwidth leaves the seek servo vulnerable to shock and vibration disturbances during the critical track capture phase of the seek operation. It is desirable to achieve good velocity regulation particularly when approaching the track capture phase of the seek. This bandwidth can be improved, and thus the velocity regulation upon track capture can be improved, by calculating the derivative of the TES when the TES is within a reasonable linear range of its sinusoidal curve while crossing tracks. The derivative measurement is averaged with the most recent half track crossing measurement to filter some of the inherent noise effects associated with differentiation. Additionally, the positive and negative slopes of the TES are not symmetric, therefore, a balance gain is applied to one of the TES slopes to eliminate the effect of this asymmetry on the derivative calculation. In these embodiments, then, the FbVEL parameter is given by $FbVEL = [(K1/TzcPeriod) + K2 * d(TES)/dt] / 2$, where $K2 = K2a$ for track enter slopes and $K2 = K2b$ for half track center slopes. Typically, $K2a = -0.7K2b$.

[**0209**] The velocity error from summer **807** is multiplied by a constant K_3 in step **809** and input to summer **813**. Further, velocity error is summed with the sum of velocity errors measured during previous clock cycles in summer **810**, multiplied by constant K_4 in step **812**, and added to the output value from step **809** in summer **813**. Summer **810** acts as an integrator, integrating the velocity error. The output value from summer **813** is input to multiplexer **814**. The output signal from multiplexer **814** is input to loop gain **815**, which generates a tracking control effort. The tracking control effort output by loop gain **815** is part of the seek tracking control effort profile which moves OPU **103** to the target track in a controlled fashion.

[**0210**] In some embodiments, the tracking control effort output from multiplexer **814** can be a clamped acceleration effort generated by acceleration clamp **808**. Acceleration clamp **808** monitors the acceleration of OPU **103** from the velocity error determined in summer **807** and, if a maximum acceleration value is exceeded, limits the tracking control effort to be the maximum acceleration value.

[**0211**] In some embodiments, the TES' signal is also input to boundary detector **817**. In general, multi-track seeks can cross boundaries between writeable **151** and pre-mastered **150** portions of optical media **102** (**FIG. 1B**). The operation of direction sensor **592** as well as many operating parameters, including the TES gain, TES offset, FES gain, FES offset, and cross-talk compensation parameters from cross-talk calibration **579** will be different depending on whether OPU **103** is over a writeable or pre-mastered portion of optical media **102**. Boundary detector **817** includes a multi-point positive and negative TES peak averaging algorithm, which is executing during seek operations. Boundary detector **817** then monitors the TES peak-to-peak amplitude during seeks. Before initiating a seek operation, algorithm **557** knows the type of media (i.e. pre-mastered, grooves, or write able, bumps) that OPU **103** is over. Microprocessor **432** can inform algorithm **557**, which is usually operating on DSP **416**, whether or not the seek operation takes OPU **103** from one type of media to another. If a boundary crossing is detected, then boundary detector **817** can monitor to determine when the boundary has been crossed.

[0212] Boundary detector **817** detects the boundary crossing by identifying when the TES peak-to-peak amplitude (TESPP), for example calculated by the multi-point peak averaging, by more than a threshold value (for example 25% of TESPP).

$$\text{TesPP Change} = |\text{TesPP}(k) - \text{TesPP}(k-2)| \text{ where } k \text{ represents the measurement number.}$$

[0213] If the threshold value is set too high, the boundary crossing algorithm may miss boundary crossings. Alternatively, if the threshold value is set too low, the boundary crossing algorithm may erroneously detect boundary crossings. In some embodiments, a default threshold can be utilized for a first boundary crossing on a newly inserted disk. When the boundary is detected, the measured change in TES peak-to-peak value can be averaged with the default threshold to drive the threshold amplitude in the direction of the actual change in TES peak-to-peak for the specific one of media **102**. The averaging process can continue for all subsequent boundary crossings while the specific one of media **102** is in drive **100**. The threshold, then, can be set to the averaged threshold for all future boundary crossings in that specific media **102**.

[0214] In some embodiments, consecutive TesPP measurements are not compared because one of these measurements may straddle a boundary between media when making the multipoint peak averaging measurement. At that point, boundary detector **817** determines that the boundary has been crossed and switches the media sensitive operating parameters to parameters appropriate for the new media.

[0215] FIGS. **9A** and **9B** shows a flow chart of an embodiment of seek algorithm **557**. In seek initialization **901**, seek command **902** is issued, for example by microprocessor **432**. Further, an acceleration flag, a seek direction flag, a TzC period, and a seeklength (indicating target track) are set in initialization **903**. In some embodiments, laser power may be reduced during a seek operation. Therefore, in seek initialization **901**, laser power can be reduced as well. Upon completion of the seek operation, laser power can be reset to a read power level.

[0216] In step **904**, a TzC period count variable is incremented. In step **905**, the TzC period count variable is checked against the current TzC period variable and, if at least half or some other fraction of the most recently measured TzC period has not elapsed, algorithm **557** proceeds to skip TzC period and counter calculations **803** and **802**. If the condition of step **905** is met, then algorithm **557** proceeds to crossing detection **906**. Crossing detection **906** indicates a crossing TzC if the TES' value crosses **0**. Crossing detection **906** includes amplitude hysteresis in addition to the temporal hysteresis provided in step **905**, i.e., that the next TzC crossing can not be indicated again for at least half the old TzC period value, which prevents noise from falsely indicating a TzC crossing.

[0217] FIG. **9C** illustrates the TzC detection algorithm performed by TzC detector **801**. TzC detector **801** provides a change in state on each zero crossing. As shown, however, TzC detection **906** of TzC detector **801** provides a change of state on each detected zero crossing. TzC detection **906**, from step **905**, is enabled to change after about $\frac{1}{2}$ the TzC period. Additionally, in step **906**, the TzC crossing provides a low threshold value and a high threshold value so that, on an increasing TES' signal, the TzC zero is detected at the

high threshold value and on a decreasing TES' signal detects the TzC zero at the low threshold. A amplitude hysteresis is then provided.

[0218] In step **907**, algorithm **557** indicates whether the TzC value has changed, indicating a track crossing. If not, then calculation of TzC period and updating of track counting in steps **803** and **802** are skipped. If the TzC value has changed, then algorithm **557** proceeds to block **908**. In block **908**, if the acceleration flag is not set or if the current count for TzC period (the TzC period count variable) is less than some multiple (for example twice) of the most recently measured TzC period or if the TzCSkip flag is set, then algorithm **557** proceeds to step **909**, else algorithm **557** proceeds to step **910** which sets the TzC skip flag. From step **910**, algorithm **557** then proceeds to step **913**, which resets the TzC period count to zero. If the conditions of step **908** are met, then algorithm **557** proceeds to step **909**.

[0219] Step **909** checks whether the currently detected TzC pulse is the first pulse and, if so, proceeds to step **913** where the TzC period count variable is set to 0. Otherwise, algorithm **557** proceeds to step **911** which sets the TzC period to the current TzC period count. Algorithm **557** then clears the TzCSkip flag in step **912** before resetting the TzC period count in step **913**.

[0220] Steps **908** through **912**, perform a TzC period integrity test. In some embodiments, the TzC period is checked against the previously measured TzC period (i.e., the TzC period of cycle k is compared with the TzC period of cycle $k-1$). An error is generated if the TzC period of cycle k varies substantially from the TzC period of cycle $k-1$. In some embodiments, since a new zero crossing is not detected until at least $\frac{1}{2}$ the TzC period of cycle $k-1$ (see step **905**), and step **908** checks to be sure that the TzC period in the k th cycle is less than twice the TzC period in the $k-1$ th cycle, then the TzC period is restrained to be between $\frac{1}{2}$ TzC period and 2 the TzC period of the $k-1$ th cycle (i.e., $\text{TzCperiod}(k-1)/2 < \text{TzCperiod}(k) < 2 * \text{TzCperiod}(k-1)$). In some embodiments, the range can be extended. For example, in some embodiments $\text{TzCperiod}(k-1)/4 < \text{TzCperiod}(k) < 4 * \text{TzCperiod}(k-1)$.

[0221] In step **914**, the direction is checked, for example by checking the direction signal from direction detector **592** (FIG. **5A**), so that the TzC count variable can either be decremented in block **915** or incremented in block **916**, depending on direction. Algorithm **557** then proceeds to step **917**.

[0222] In step **917**, algorithm **557** checks if the current calculated reference velocity, which is a constant times the TzC count parameter calculated in block **802** of FIG. **8A**, is greater than a maximum value of the reference velocity. If the reference velocity is greater than half the value of the maximum, then the TzC period value is averaged with previous TzC period values in step **918**, which can have the effect of smoothing the actual velocity measurement. Algorithm **557** then proceeds to step **919** of seek completion detection **816**.

[0223] Step **919** checks the current value of the TzC count to see if the required number of tracks have been crossed. If not, then algorithm **557** proceeds to step **922** of algorithm **805**. If the number of track crossings is correct, then algorithm **557** checks in step **920** to see if the TES' has the

correct slope. If not, the algorithm 557 proceeds to step 922. If the slope is correct, then algorithm 557 sets a seek completion flag in step 921 and exits. Tracking can then be reacquired in tracking close algorithm 555.

[0224] In step 922, a reference velocity is calculated. The reference velocity is greater than a minimum reference velocity by a value proportional to the track crossing count TZC count. The sign of the reference velocity is the sign of the TZC Count. For example, a 100 track seek toward the inner diameter (ID) would initialize the TZC count with +200 (since TZC counter counts half tracks) and the counter would decrement (assuming the direction sensor determines that OPU 103 is moving toward the ID) for each half track crossing until reaching the destination track with a count of 0. Thus, the reference velocity would be positive for seeks toward the ID. A 100 track seek toward the OD would cause the TZC counter to be initialized with a negative 200 value. The counter would increment (assuming the direction sensor determines that OPU 103 is moving toward the OD) until reaching 0 at the destination track. The reference velocity has a negative sign for seeks toward the OD.

[0225] In step 923, the reference velocity calculated in step 922 is compared with a maximum reference velocity and, if the maximum reference velocity is exceeded, then the reference velocity is reset to the maximum reference velocity in step 924. In step 806, the actual velocity of OPU 103 is calculated. The actual velocity (FbVEL) is proportional to the reciprocal of the TZC period variable, which is calculated in block 803 of FIG. 8A. Step 807, then, calculates the velocity error as the difference between the reference velocity and the actual velocity. Algorithm 557 then proceeds to step 934.

[0226] In step 934, algorithm 557 checks for the first change in sign of the velocity error signal. If the sign of the velocity error has not yet changed since the start of seek, then the seek acceleration phase continues. If the first change in the velocity error sign is detected, then the acceleration flag is cleared in step 935. During the initial phase of the seek (a.k.a. acceleration phase), the velocity of OPU 103 must be accelerated until it's velocity reaches the reference velocity. Until then, the velocity error can be large. It is desirable to not allow multi-track seek control compensator's integrator, which includes summer 813, from operating during the initial phase of seek because it will integrate this large velocity error resulting in a significant feedback velocity overshoot of the reference velocity. In addition, the control effort during this acceleration phase of a multi-track seek operation is clamped by clamp 808 to avoid accelerating too fast which could also cause significant overshoot of the reference velocity. Otherwise, algorithm 557 sets the seek control effort proportionally to the seek control variable in step 815. Algorithm 557 then proceeds to step 804 where tracking phase lead 550 can be updated to properly initialize it's states in order to reduce the time required to reacquire tracking in close tracking algorithm 555. From step 935, algorithm 557 proceeds to step 927.

[0227] In step 927, if OPU 103 is accelerating, then a seek control variable is set to the velocity error in step 928. In step 929, the seek control variable is compared with a maximum acceleration variable and, if the maximum acceleration variable is exceeded, then seek control is set to maximum acceleration in step 930. If not exceeded, then algorithm 930 proceeds to step 934.

[0228] If step 927 determines that there is no acceleration, then algorithm 557 proceeds to step 931. If the velocity error is greater than a maximum velocity error, and there has not been too many successive corrections, then algorithm 557 proceeds to step 933, which sets the seek control variable to be a constant times the velocity error plus a value proportional to an integral of the velocity error, as shown in FIG. 8A as steps 809, 813, 810, 811, and 812. If the maximum velocity error is not exceeded in step 931, then velocity error is set to 0 in step 932 and seek control is set to a value proportional to the velocity error integral in step 933. Algorithm 557 then proceeds to step 815.

[0229] In some embodiments, completing a seek operation in algorithm 557 also begins a time limited tracking loop high gain mode, which can be referred to as a "retro rocket." Seek completion detector 816 can enable retro-rocket gain 830. The tracking servo phase lead compensator 550 (FIG. 5A) states know about the tracking and velocity error at the instant of the seek to tracking transition as a result of properly initializing the phase lead compensator. Therefore, tracking servo 502 knows whether to accelerate or decelerate for capturing the destination track center. By significantly increasing the tracking loop gain (bandwidth) for a predetermined number of servo samples (for example 5), tracking servo 502 can more aggressively acquire the destination track. Time constraining the duration of the increased tracking loop gain can prevent the instabilities caused by mechanical resonances from growing unbounded and thus destabilizing the system. The net effect of applying the retro-rockets is a very aggressive closed loop track capture converged upon track center quickly followed by a nominal bandwidth very stable tracking control system closed on the destination track.

[0230] In some embodiments, algorithm 557 is executed as part of a control loop on DSP 416. In those embodiments, seek algorithms may be executed, for example, every 20 μ s (i.e., 50 kHz). However, as more fully discussed below, detector signals A, B, C, D, E, and F are available every 10 μ s, or at 100 kHz. In some embodiments, algorithm 557 may be solely operated on DSP 416 so that the full 100 kHz availability of data is available.

[0231] FIG. 10B shows a block diagram of a one-track jump algorithm 559. FIG. 10A illustrates the TES, tracking control effort, FES, and focus control effort during a one-track jump algorithm. The TES and FES signals shown are the output signals from summer 506. The TES and FES signals shown in FIG. 10B are measured scope traces from output pwn's 474, who's output signals are centered about reference voltages, e.g. from block 462 (FIG. 4). As shown in FIG. 10A, a one-track jump algorithm starts in a tracking mode 1001 and includes an acceleration period 1002, a coast period 1003, and a deceleration period 1004. Once deceleration period 1004 is complete, a settling period 1008 is followed by a focus on 1005 and a tracking integrator on 1006. At which time, a tracking and focus period 1007 is initiated.

[0232] In FIG. 10A, during tracking period 1001 both focus servo algorithm 501 and tracking servo algorithm 502 are on, therefore drive 100 is tracking and focusing on a starting track. During acceleration period 1002, one-track jump algorithm 559 applies an acceleration tracking control effort to tracking DAC 468 which accelerates OPU 103 in

the desired tracking direction for a fixed time. During coast period **1003**, one-track jump algorithm **559** holds the tracking control effort at the level applied before the one track jump algorithm begins. In some embodiments, coast period **1003** is held until the TES signal output from sample integrity test **548** changes sign, indicating a half-track crossing. Finally, during deceleration period **1004** one-track jump algorithm **557** applies a deceleration tracking control effort to tracking DAC **468**. As shown, the acceleration tracking control effort of acceleration period **1002** and the coast period **1003**, and the deceleration tracking control effort of deceleration period **1004** causes TES to pass through one period of the TES versus position curve, indicating a single track crossing. At some time **1006** after deceleration period **1004** ends, one-track jump algorithm **559** re-enables low frequency integrator **549**, which was disabled but not reset when algorithm **559** began. Further, during acceleration period **1002**, coast period **1003**, deceleration period **1004** and until time **1005** after deceleration period **1004**, sample and hold **530** holds the focus control effort at a constant level. When one-track jump algorithm **559** completes, servo control algorithm **500** re-enters a mode of tracking both focus and track position.

[0233] In some embodiments, the time scale on **FIG. 10A** is of the order of hundreds of microseconds so that, for example, the numbered divisions are on the order of 200 microseconds. In some cases, one-track jump algorithm **559** can be executed in DSP **416** since microprocessor **432** may be unable to respond fast enough.

[0234] **FIG. 10B** shows schematically a block diagram of one-track jump algorithm **559**. Tracking compensation **1011** includes integrator **549**, phase lead **550**, and notch filters **551** through **553**. Therefore, the output signal from tracking compensation **1011** is the tracking control effort generated through the closed tracking servo system **502** that is input to multiplexer **558**. Multiplexer **558** in **FIG. 10B** is represented by a switch. Track jump state machine **1010**, when one track algorithm **559** is initiated, controls multiplexer **558** so that the tracking control effort generated by algorithm **559** is ultimately applied to tracking actuator **201** instead of the tracking control effort signal generated by tracking compensation **1011**. In **FIG. 10B**, the tracking control effort output from tracking DAC **468** is input to summer **1020** which is located in power driver **340**. As was discussed above, the tracking control effort output from DAC **468** is summed with the bias control effort by summer **1020** in power driver **340**. Plant **1021** includes tracking actuator **201** as well as OPU **103** and actuator arm **104**.

[0235] The tracking control effort from tracking compensation **1011** is low pass filtered in filter **1012** and input to sample and hold **1017**. During execution of one-track jump algorithm **559**, the output signal from sample and hold **1017** is fixed at a constant value. The constant tracking control effort output from sample and hold **1017** is summed with the one-track jump tracking control profile generated in algorithm **559** at summer **1016**.

[0236] The one-track jump tracking control profile includes an acceleration pulse generated by pulse amplifier **1013** and a deceleration pulse generated by pulse amplifier **1014**. Track jump state machine **1010** controls the amplitude and duration of acceleration and deceleration pulses. Track jump state machine **1010** further controls the direction of the

one-track jump by determining the sign of the amplitudes of the acceleration and deceleration pulses generated by pulse amplifiers **1013** and **1014**.

[0237] In some embodiments, the amplitude and duration of acceleration and deceleration pulses are set during a calibration step in calibration algorithm **560**. In some embodiments, the amplitude and duration of acceleration and deceleration pulses may change as a function of position of OPU **103** over optical media **102**. Further, although in **FIG. 10B**, the jump control effort profile is shown as including a positive and negative square wave pulse, in some embodiments acceleration pulse and deceleration pulse may include sinusoidal wave pulses in order to avoid exciting mechanical resonances in actuator arm **104**.

[0238] Track jump state machine **1010**, then, first latches sample and hold **1017**, shuts off low frequency integrator **549**, and latches sample and hold **530**, then applies the acceleration pulse from pulse amplifier **1013**. State machine **1010** then monitors the TES' signal for a sign change. When the sign change is detected, state machine **1010** applies the deceleration pulse generated by pulse amplifier **1014**. If a sign change is not detected within a set period of time, then track jump state machine **1010** indicates a failed jump condition. In those circumstances, error recovery routines (See System Architecture disclosures) will recover from this condition.

[0239] Once the deceleration pulse has ended, state machine **1010** switches multiplexer **558** to receive tracking control efforts from tracking compensation **1011**, and delays for a period of time to allow transient effects to decay. State machine **1010** then turns focus back on (by setting multiplexer **531** to accept the focus control effort rather than the output signal from sample and hold **530**) and re-enables integrator **549**.

[0240] In some embodiments, one-track jump algorithm **559** shown in **FIG. 10B**, for example, can further include notch filters **551** and **553** for receiving the one-track jump control effort profile output from summer **1016**. Further, as is shown and discussed further below, algorithm **559** can be executed on DSP **416** in a timer interrupt mode. In some embodiments, one track algorithm **559** initiates phase lead **550** so that phase lead **550** is initiated to the proper state when tracking is closed following the one-track jump operation. Initializing phase lead **550** improves dynamic response during the close tracking operation. Further, during a one-track jump algorithm, the focus control signal can be set to the output of sample and hold **530**, which holds the output signal from low-pass filter **529** during the one-track jump operation.

[0241] **FIG. 11** shows a block diagram of a DSP firmware architecture **1100** according to the present invention. As discussed above, microprocessor **432** and DSP **416** can communicate through mailboxes **434**. Initialization block **1101**, main loop block **1102**, timer interrupt block **1103**, and sensor interrupt block **1120** represent algorithms executing on DSP **416**. In initialization **1101**, all of the filter states in **FIGS. 5A** and **5B** are set to zero and all initializations are accomplished. Main loop **1102** represents an infinite loop that actually does nothing, since in most embodiments DSP **416** is interrupt driven. Timer interrupt **1103** executes one-track jump algorithm **559**.

[0242] Focus and tracking servo algorithms are executed as part of sensor interrupt **1120**. Sensor interrupt **1120** is

available when all of the detector sensor signals A, B, C, D, E and F are available at decimation filters 414-1 and 414-6 (FIG. 4). Therefore, in some embodiments (for example), there is a sensor interrupt at a frequency of 100 kHz frequency, which occurs every 10 μ s. Therefore, every 10 μ s DSP 416 receives a sensor interrupt which initiates sensor interrupt code 1120 shown in FIG. 11.

[0243] In step 1104, algorithm 1120 determines which algorithm to execute, focus or tracking. Focus servo algorithm 501 and tracking servo algorithm 502 alternate, therefore each is executed every 20 μ s. Therefore, focus and tracking loops are sampled at 20 μ s or 50 kHz rather than interrupting every 20 μ s and executing both focus and tracking algorithms. In this fashion, there is a lower time delay between sampling detector signals A, B, C, D, E, and F. In some embodiments, a third loop in algorithm 1120 can execute a spin-motor servo algorithm (see the Spin Motor Servo System disclosures). However, DSP 416 operates very fast but has limited resources in terms of memory.

[0244] If algorithm 1120 executes focus servo algorithm 501, then an FES' signal is calculated in step 1111. The FES' signal is the output signal from sample integrity test 515, therefore step 1111 includes focus servo algorithm 501 through integrity test 515. In some embodiments, defect detection algorithm 591 can then be calculated, providing a defect signal to a write abort algorithm which may be operating on microprocessor 432.

[0245] When the FES' signal is calculated in step 1111, algorithm 1120 proceeds to step 1112. In step 1112, algorithm 1120 determines if focus is on. In some embodiments, algorithm 1120 determines that focus is on or off by checking a bit flag in a control word held in mailboxes 434. If focus is off, then algorithm 1120 is finished with the focus operation and proceeds to step 1114. If focus is on, the algorithm 1120 finishes the operations of focus servo algorithm 501 in step 1113. After step 1113, then algorithm 1120 proceeds to step 1114.

[0246] If tracking servo algorithm 502 is chosen in step 1104, then algorithm 1120 proceeds to step 1105. In step 1105, tracking servo algorithm 502 through TES sample integrity test 548 is executed to calculate a TES' value. Algorithm 1120 then proceeds to step 1106. In step 1106, algorithm 1120 determines if a seek operation is being undertaken, in some embodiments by checking a seek flag set in a control word held in mailboxes 434.

[0247] If a seek operation is being undertaken, then algorithm 1120 proceeds to seek algorithm 557 in step 1107. Step 1107 can perform many of the steps described with FIGS. 8A, 8B, 9A and 9B describing seek algorithm 557. Additionally, some of the steps shown in FIGS. 9A and 9B can be performed through tasks in multiplexer 1116, as described below. For example, seek initialization 901 can be performed as tasks in multiplexer 1116.

[0248] If there is no current seek operation, or when step 1107 is completed, algorithm 1120 proceeds to step 1108. In step 1108 algorithm 1120 determines whether tracking is on or not. If tracking is on, then algorithm 1120 proceeds to step 1109 where the remaining portion of track servo algorithm 502 is executed. If tracking is off, or when step 1109 is completed, algorithm 1120 proceeds to step 1110. Usually, algorithm 1120 either executes step 1107, step 1109, or

neither. However, in some cases a seek operation may finish in step 1107 and then tracking should be turned on in step 1109, in which case both steps 1107 and 1109 are executed during the same interrupt.

[0249] In step 1110, minimum and maximum calculations on any variable can be calculated. The particular variable can be chosen by microprocessor through mailboxes 434. Step 1110 allows variables to be monitored and trace data to be kept for calibration routines or monitoring routines. From step 1110, algorithm 1120 proceeds to step 1114.

[0250] In step 1114, algorithm 1120 determines if the drive is in the coast mode of a one-track jump. If step 1114 indicates a coast mode of a one-track jump, which in some embodiments can be determined by checking the appropriate bit flag in a control register of mailboxes 434, then algorithm 1120 proceeds to step 1115. Step 1115 determines if the deceleration step of the one-track jump should be started and, if so, starts the deceleration step. Once step 1115 is complete, or if step 1114 determines that there is no one-track jump operation, then algorithm 1120 proceeds to multiplexer 1116.

[0251] One track jump algorithm 559, as discussed with FIGS. 10A and 10B, execute in a timer interrupt mode. However, algorithm 1120 operates every 10 microseconds, which allows steps 1114 and 1115 to execute every 10 microseconds, in embodiments operating at a frequency of 100 kHz. The timer interrupt from one track jump algorithm 559 has a lower interrupt priority than sensor interrupts that trigger algorithm 1120. Sensor interrupt allows step 1114 to start deceleration in step 1115.

[0252] Multiplexer 1116 includes tasks that can be done after either the tracking loop or the focus loop processing is completed if any of the execution time is available before the next sensor interrupt. Typically, the tasks included in multiplexer 1116 can be tasks that do not need to be serviced as frequently as do focus and tracking algorithms. For example, one task that can fall into multiplexer 1116 is TES OK 517. As discussed before, TES OK 517 checks the FES signal and, if the FES signal is too high, determines that the TES signal is unreliable. However, tracking servo algorithm 502 does not need to be immediately shut down, so the TES OK task can wait until its turn in multiplexer 1116. In some embodiments, multiplexer 1116 can include 16 tasks. Another example of a task that can be included in multiplexer 1116 include reading new variables from mailboxes 434 and updating variables used in other areas of algorithm 1120. In that fashion, if microprocessor 432 adjusts a gain or offset value utilized in focus servo algorithm 501 or tracking servo algorithm 502, then a task in multiplexer 1116 can read that gain or offset and update the appropriate variables. Some tasks that may be executed in multiplexer 1116 include focus loop OK algorithm 536, turn focus off algorithm (when commanded to do so), clear focus bad flag, zero the states of low frequency integrator 549, move the TES and FES gain and offset variables from mailboxes to internal variables, zero the low pass filter states of skate detector 561 if skate detector 561 is disabled, close tracking algorithm 555, initialize one-track jump algorithm 559, reset the jump status, initialize the seek variables of multi-track seek algorithm 557 and begin the seek, reset the seek status, clear write-abort status of write abort algorithm 537, seek length spiral compensation in algorithm 557, calibrate notch filter

coefficients of notch calibration algorithms 520 and 552, provide general purpose mailbox communications.

[0253] From multiplexer 1116, algorithm 1120 proceeds to update status mailbox 1117, which writes status bits to mailboxes 434 as required. For example, error interrupts to microprocessor 432 can be set at step 1117. Algorithm 1120 then proceeds to step 1118 where diagnostic data can be maintained.

[0254] In some instances, algorithm 1120 may take more time to complete one cycle than there is time between sensor interrupts. In that case, some sensor interrupts may be missed. However, if too many interrupts are missed or if there is not enough idle time between interrupts, there can be instabilities developed in some embodiments.

[0255] CD ROM Appendix A is a computer program listing appendix that includes source codes for an embodiment of the present invention. A directory of CD ROM Appendix A is given in Appendix B. Both CD ROM Appendix A and Appendix B are herein incorporated by reference in this application in their entirety.

[0256] The above detailed description describes embodiments of the invention that are intended to be exemplary. One skilled in the art will recognize variations that are within the scope and spirit of this disclosure. As such, the invention is limited only by the following claims.

APPENDIX A

See attached CD-ROM Copy 1 or Copy 2

[0257]

APPENDIX B

(Directory of CD ROM Appendix A)

DATE CREATED	TIME	BYTES	FILENAME
08/09/01	05:50 p	17,301	Defin_h.txt
08/10/01	02:13 p	85,660	dservo_c.txt
08/09/01	05:47 p	33,958	dspmem_h.txt
08/09/01	05:45 p	292,400	dssp_c.txt
08/09/01	05:44 p	292,400	dsp_p_c.txt
08/09/01	05:47 p	4,287	engpar_h.txt
08/09/01	05:43 p	7,688	Focu_h.txt
08/09/01	05:48 p	3,764	indus_h.txt
08/09/01	05:49 p	69,191	rpmtbl_h.txt
08/09/01	05:47 p	96,378	scmd_c.txt
08/09/01	05:49 p	7,414	SineTb_h.txt
08/09/01	05:46 p	8,819	sintp_c.txt
08/09/01	05:45 p	327,430	smain_c.txt
08/09/01	05:50 p	27,961	smain_h.txt
08/09/01	05:48 p	97,596	sspin_c.txt
08/09/01	05:46 p	189,471	stint_c.txt
08/09/01	05:45 p	57,381	stools_c.txt
08/09/01	05:51 p	2,185	stools_h.txt
08/09/01	05:51 p	302,470	sutil_c.txt
08/09/01	05:51 p	30,265	sxtrn_h.txt
08/09/01	05:51 p	11,063	TrackC_h.txt
08/09/01	05:45 p	25,479	XYram_h.txt
Directory of D:			
08/10/01	02:27 p	<DIR>	
08/10/01	02:27 p	<DIR>	
08/09/01	05:50 p	17,301	Defin_h.txt
08/10/01	02:13 p	85,660	dservo_c.txt
08/09/01	05:47 p	33,958	dspmem_h.txt
08/09/01	05:45 p	292,400	dssp_c.txt

APPENDIX B-continued

(Directory of CD ROM Appendix A)

DATE CREATED	TIME	BYTES	FILENAME
08/09/01	05:44 p	292,400	dsp_p_c.txt
08/09/01	05:47 p	4,287	engpar_h.txt
08/09/01	05:43 p	7,688	Focu_h.txt
08/09/01	05:48 p	3,764	indus_h.txt
08/09/01	05:49 p	69,191	rpmtbl_h.txt
08/09/01	05:47 p	96,378	scmd_c.txt
08/09/01	05:49 p	7,414	SineTb_h.txt
08/09/01	05:46 p	8,819	sintp_c.txt
08/09/01	05:45 p	327,430	smain_c.txt
08/09/01	05:50 p	27,961	smain_h.txt
08/09/01	05:48 p	97,596	sspin_c.txt
08/09/01	05:46 p	189,471	stint_c.txt
08/09/01	05:45 p	57,381	stools_c.txt
08/09/01	05:51 p	2,185	stools_h.txt
08/09/01	05:51 p	302,470	sutil_c.txt
08/09/01	05:51 p	30,265	sxtrn_h.txt
08/09/01	05:51 p	11,063	TrackC_h.txt
08/09/01	05:45 p	25,479	XYram_h.txt
24 File(s)			1,990,561 bytes
Total Files Listed:			
24 File(s)			1,990,561 bytes
0 bytes free			

We claim:

1. A method of providing a focus control signal during a multi-track seek operation, comprising:

receiving optical signals from detectors in an optical pick-up unit;

calculating a focus error signal from the optical signals;

filtering the focus error signal with a notch filter with a center frequency dependent on a seek reference velocity from the multi-track seek operation to form a filtered error signal; and

calculating the focus control signal from the filtered error signal during the multi-track seek operation.

2. The method of claim 1, wherein the seek reference velocity varies from about 2 kHz to about 10 kHz.

3. The method of claim 1, wherein the center frequency is equal to the seek reference velocity.

4. An optical disk drive, comprising:

an optical pick-up unit;

an analog processor coupled to receive signals from detectors in the optical pick-up unit and provide digital signals;

at least one processor coupled to receive the optical signals, the at least one processor calculating a control signal; and

a driver coupled to control a position of the optical pick-up unit in response to the control signal,

wherein the at least one processor executes an algorithm during a multi-track seek operation that

receives optical signals from detectors in an optical pick-up unit,

calculates a focus error signal from the optical signals, filters the focus error signal with a notch filter with a center frequency dependent on a seek reference velocity from the multi-track seek operation to form a filtered error signal, and

calculates the focus control signal from the filtered error signal during the multi-track seek operation.

5. The drive of claim 4, wherein the seek reference velocity varies from about 2 kHz to about 10 kHz.

6. The drive of claim 4, wherein the center frequency is equal to the seek reference velocity.

7. An optical disk drive, comprising:

means for generating a focus control signal;

means for providing a notch filter in the means for generating during a multi-track seek operation.

* * * * *