



(12) **EUROPEAN PATENT APPLICATION**

(88) Date of publication A3:
02.01.2003 Bulletin 2003/01

(51) Int Cl.7: **F15B 13/06, F15B 11/17**

(43) Date of publication A2:
06.02.2002 Bulletin 2002/06

(21) Application number: **01116758.2**

(22) Date of filing: **19.07.2001**

(84) Designated Contracting States:
**AT BE CH CY DE DK ES FI FR GB GR IE IT LI LU
MC NL PT SE TR**
Designated Extension States:
AL LT LV MK RO SI

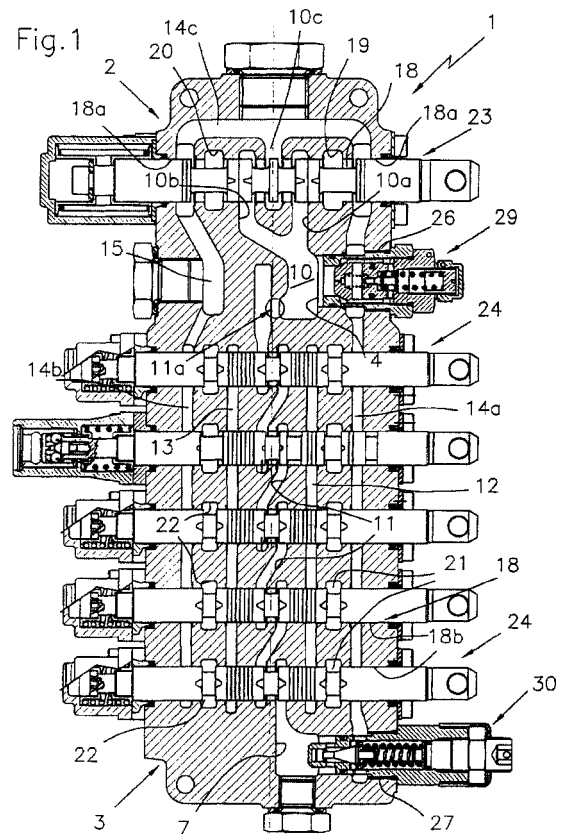
(72) Inventors:
• **Musiani, Massimo**
40061 Minerbio (Prov.of Bologna) (IT)
• **Bulgarelli, Claudio**
41100 Modena (IT)

(30) Priority: **31.07.2000 IT BO000473**

(74) Representative: **Modiano, Guido, Dr.-Ing. et al**
Modiano & Associati SpA
Via Meravigli, 16
20123 Milano (IT)

(54) **Hydraulic distribution unit for controlling the actuation of a bush cutter**

(57) A hydraulic distribution unit (2) for controlling the actuation of a bush cutter, comprising a high flow-rate distribution unit associated with a rotary mower and a low flow-rate distribution unit associated with a positioning arm of the rotary mower; the distribution units have respective intake ducts (4,7) which are supplied by a high flow-rate pump and by a low flow-rate pump and respective discharges which lead into a common reservoir for collecting the oil; the distribution units are suitable to feed, by means of a pair of delivery manifolds (5,6), a motor for actuating the rotary mower and, by means of a series of pairs of delivery manifolds (8,9), a piston-type hydraulic servomechanism for mutually opposite movements of the positioning arm, the high flow-rate and low flow-rate distribution units being provided as a single body which has a first portion (2) dedicated to the actuation of the rotary mower and a second portion (3) dedicated to the actuation of the positioning arm.





European Patent
Office

EUROPEAN SEARCH REPORT

Application Number
EP 01 11 6758

DOCUMENTS CONSIDERED TO BE RELEVANT			
Category	Citation of document with indication, where appropriate, of relevant passages	Relevant to claim	CLASSIFICATION OF THE APPLICATION (Int.Cl.7)
X	US 3 146 593 A (STACEY HUGH J) 1 September 1964 (1964-09-01) * column 2, line 66 - column 5, line 33; claims 4,7,9-11; figures 1,2 *	1-7	F15B13/06 F15B11/17
A	US 3 759 292 A (BIANCHETTA D ET AL) 18 September 1973 (1973-09-18) * column 2, line 27 - column 3, line 40; figures 1,2 *	1-7	
A	US 3 785 156 A (JUNCK J ET AL) 15 January 1974 (1974-01-15) * abstract; figures *	1-3,5-7	
			TECHNICAL FIELDS SEARCHED (Int.Cl.7)
			F15B A01D E02F
The present search report has been drawn up for all claims			
Place of search		Date of completion of the search	Examiner
THE HAGUE		7 November 2002	Rechenmacher, M
CATEGORY OF CITED DOCUMENTS			
X : particularly relevant if taken alone Y : particularly relevant if combined with another document of the same category A : technological background O : non-written disclosure P : intermediate document		T : theory or principle underlying the invention E : earlier patent document, but published on, or after the filing date D : document cited in the application L : document cited for other reasons & : member of the same patent family, corresponding document	

EPO FORM 1503 03/82 (P04/C01)

**ANNEX TO THE EUROPEAN SEARCH REPORT
ON EUROPEAN PATENT APPLICATION NO.**

EP 01 11 6758

This annex lists the patent family members relating to the patent documents cited in the above-mentioned European search report. The members are as contained in the European Patent Office EDP file on
The European Patent Office is in no way liable for these particulars which are merely given for the purpose of information.

07-11-2002

Patent document cited in search report		Publication date	Patent family member(s)	Publication date
US 3146593	A	01-09-1964	GB 911053 A	21-11-1962
US 3759292	A	18-09-1973	BE 792618 A1	12-06-1973
			CA 976839 A1	28-10-1975
			DE 2261626 A1	14-06-1973
			FR 2163536 A1	27-07-1973
			GB 1413689 A	12-11-1975
			JP 48065382 A	08-09-1973
			SE 390199 B	06-12-1976
US 3785156	A	15-01-1974	NONE	