



US 20230337834A1

(19) **United States**

(12) **Patent Application Publication**  
**Leatherwood**

(10) **Pub. No.: US 2023/0337834 A1**

(43) **Pub. Date: Oct. 26, 2023**

(54) **BEDSIDE GUN MOUNT**

(52) **U.S. Cl.**

(71) Applicant: **John Leatherwood**, Glendale, AZ (US)

CPC ..... *A47C 21/00* (2013.01); *A47C 19/22* (2013.01); *F41C 33/041* (2013.01)

(72) Inventor: **John Leatherwood**, Glendale, AZ (US)

(57) **ABSTRACT**

(21) Appl. No.: **17/727,724**

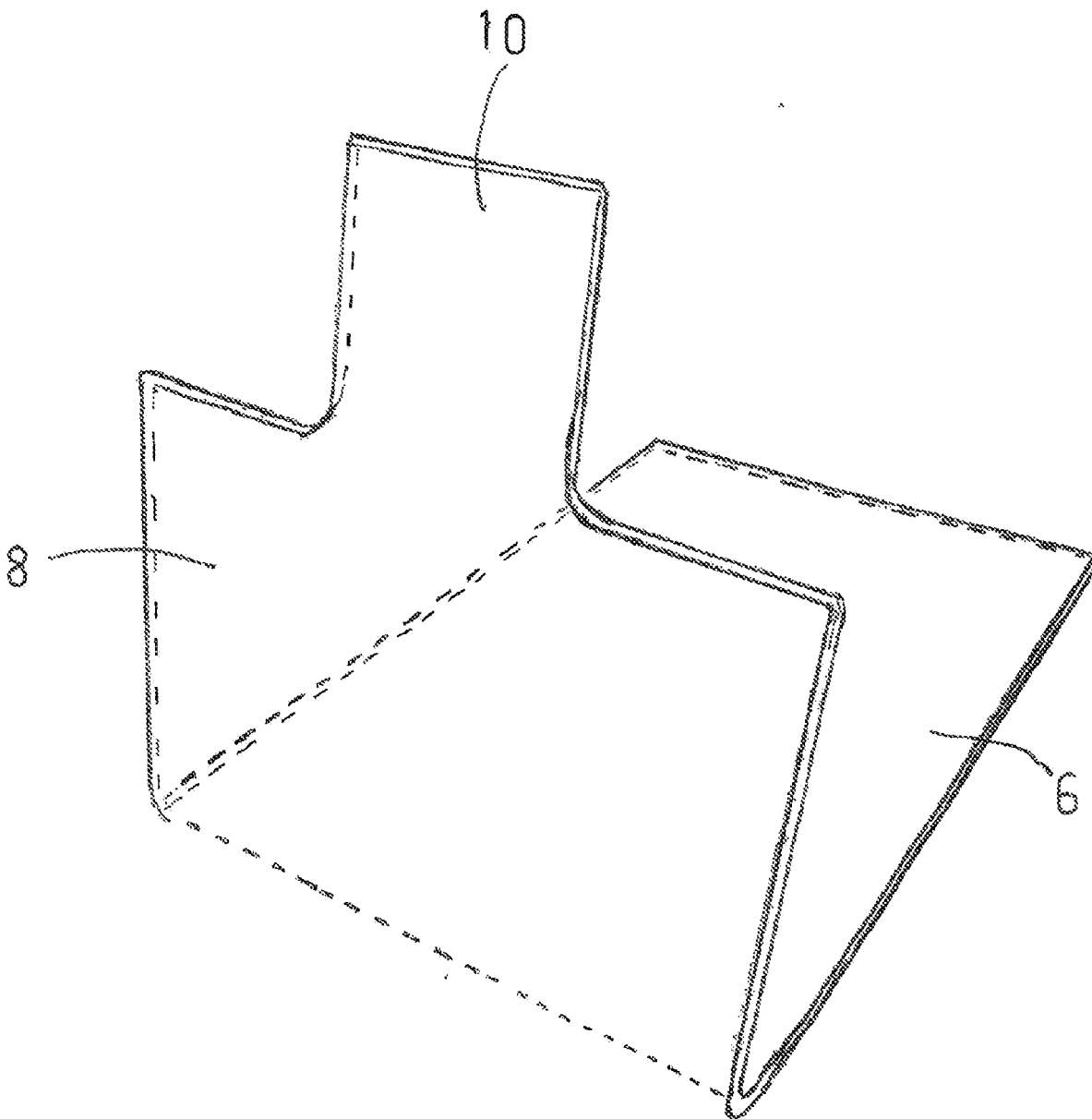
(22) Filed: **Apr. 23, 2022**

This is a bedside gun mount for a holstered gun (12). It is used to hold a holstered gun (12) safely while you are in bed. It is used to access a handgun easily, quickly, and safely. The horizontal base (6) of the bedside gun mount slides between the bed mattress (22) and the bed box springs (20). The gun holster belt loop (16) on the gun holster (14) slides down over the notched tab (10) on the vertical riser (8) holding the holstered gun (12) against the bed mattress (22).

**Publication Classification**

(51) **Int. Cl.**

*A47C 21/00* (2006.01)  
*A47C 19/22* (2006.01)  
*F41C 33/04* (2006.01)



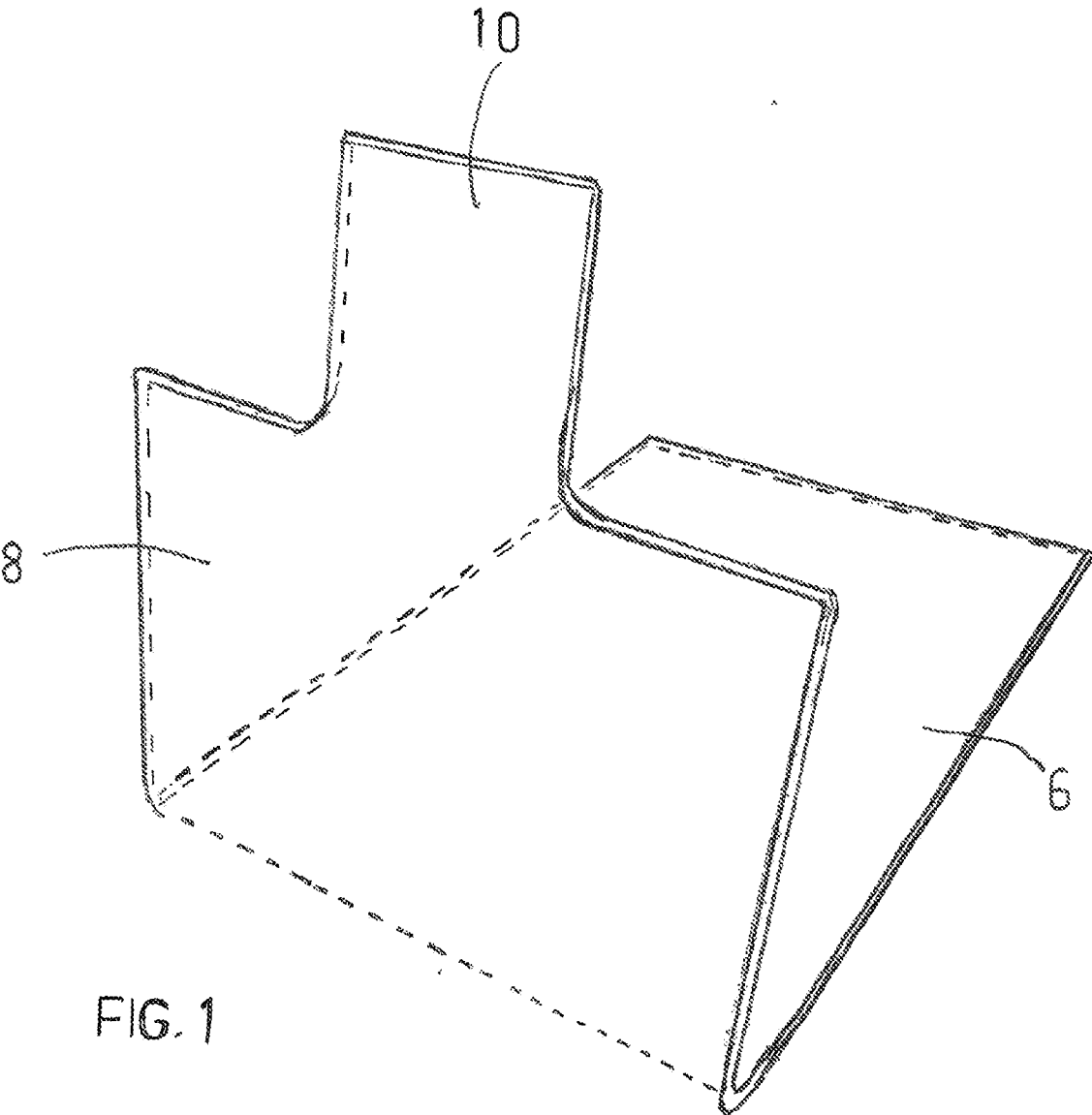


FIG. 1

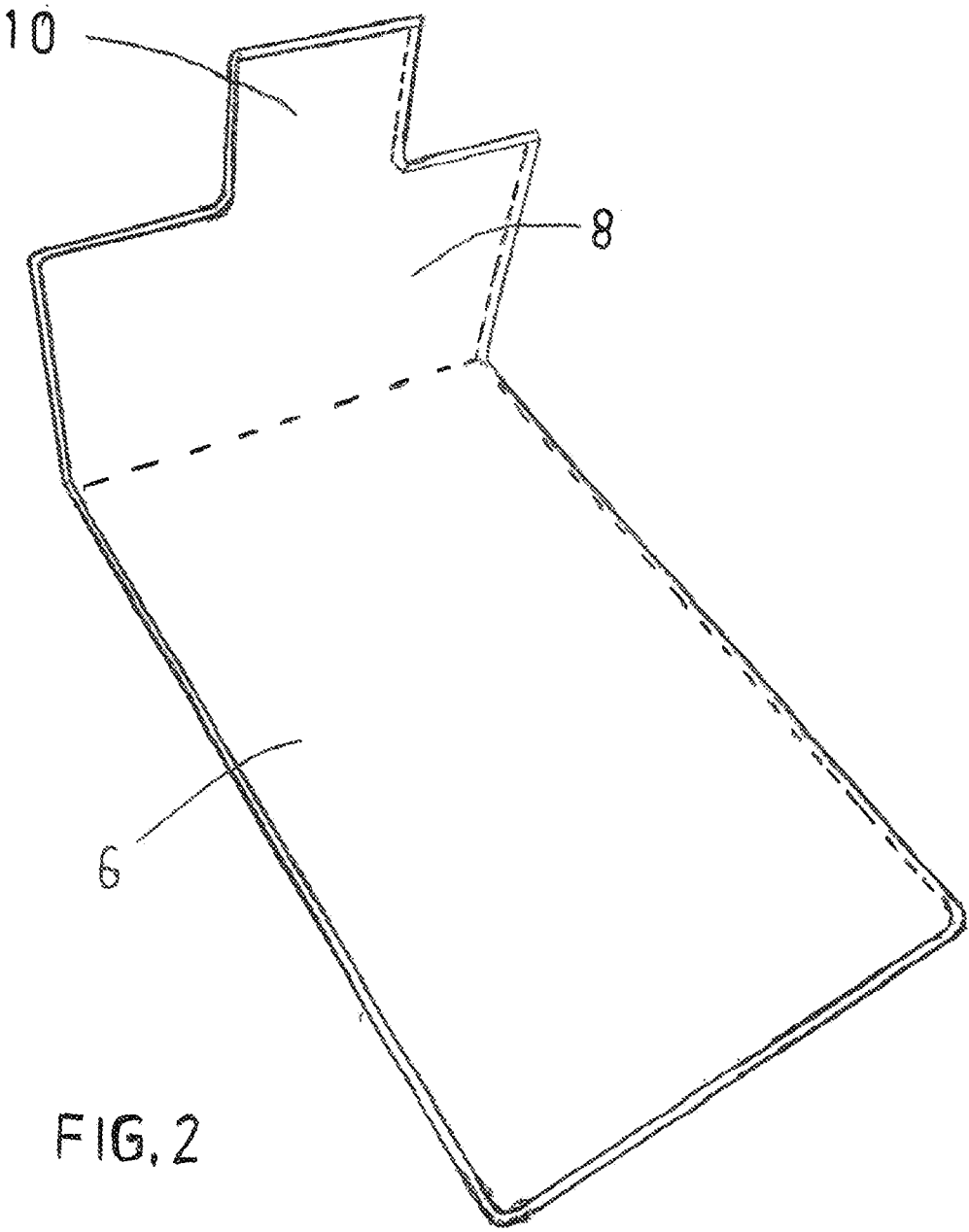


FIG. 2

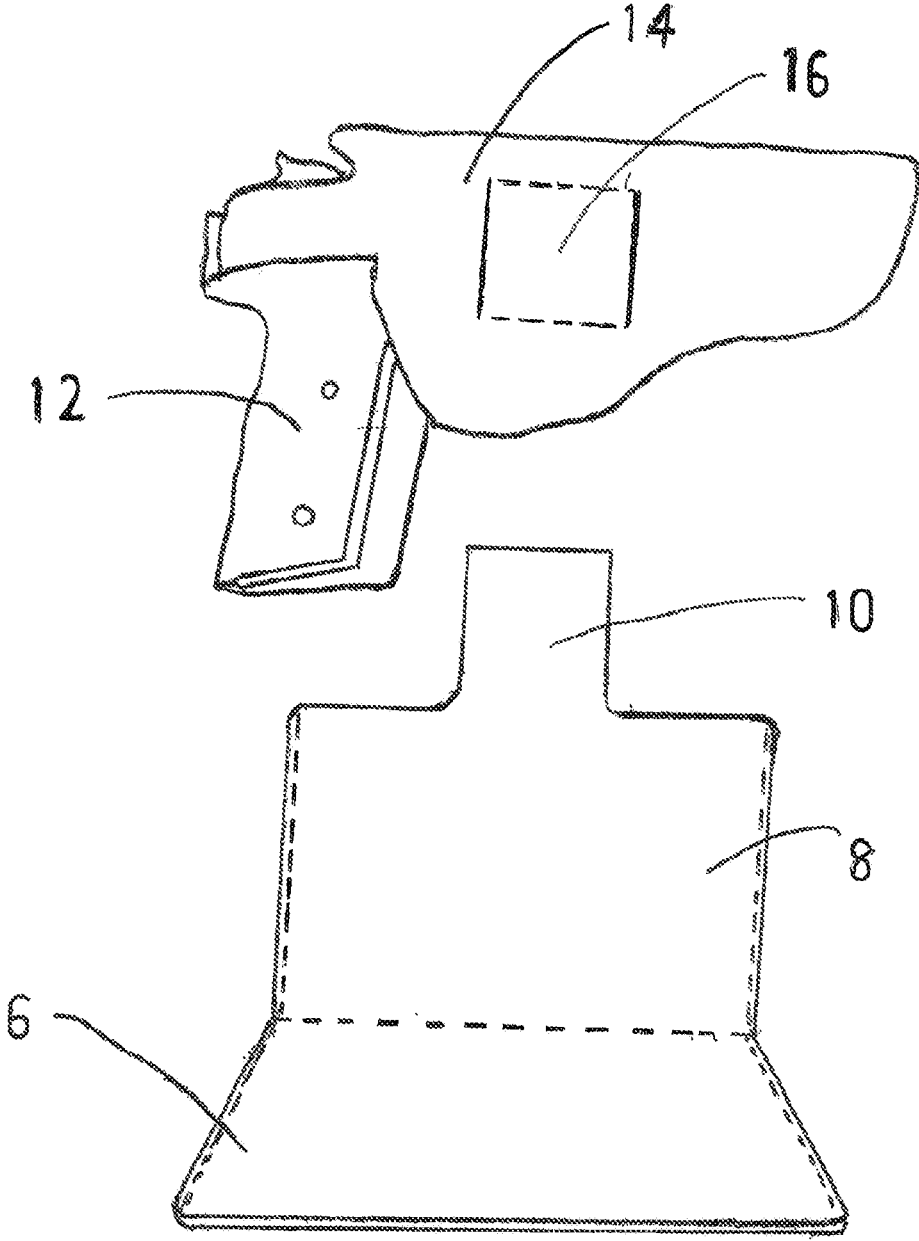


FIG. 3

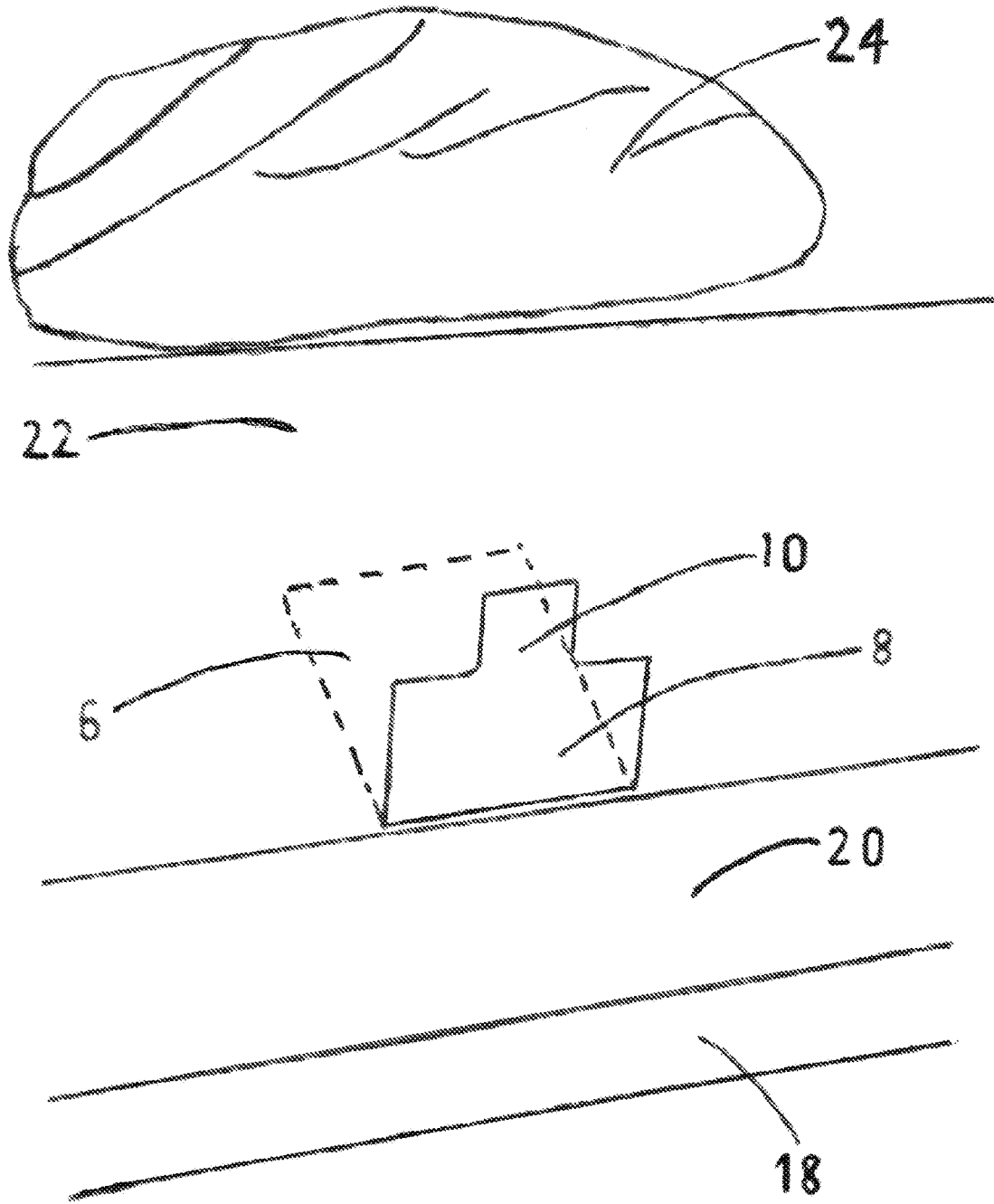


FIG. 4

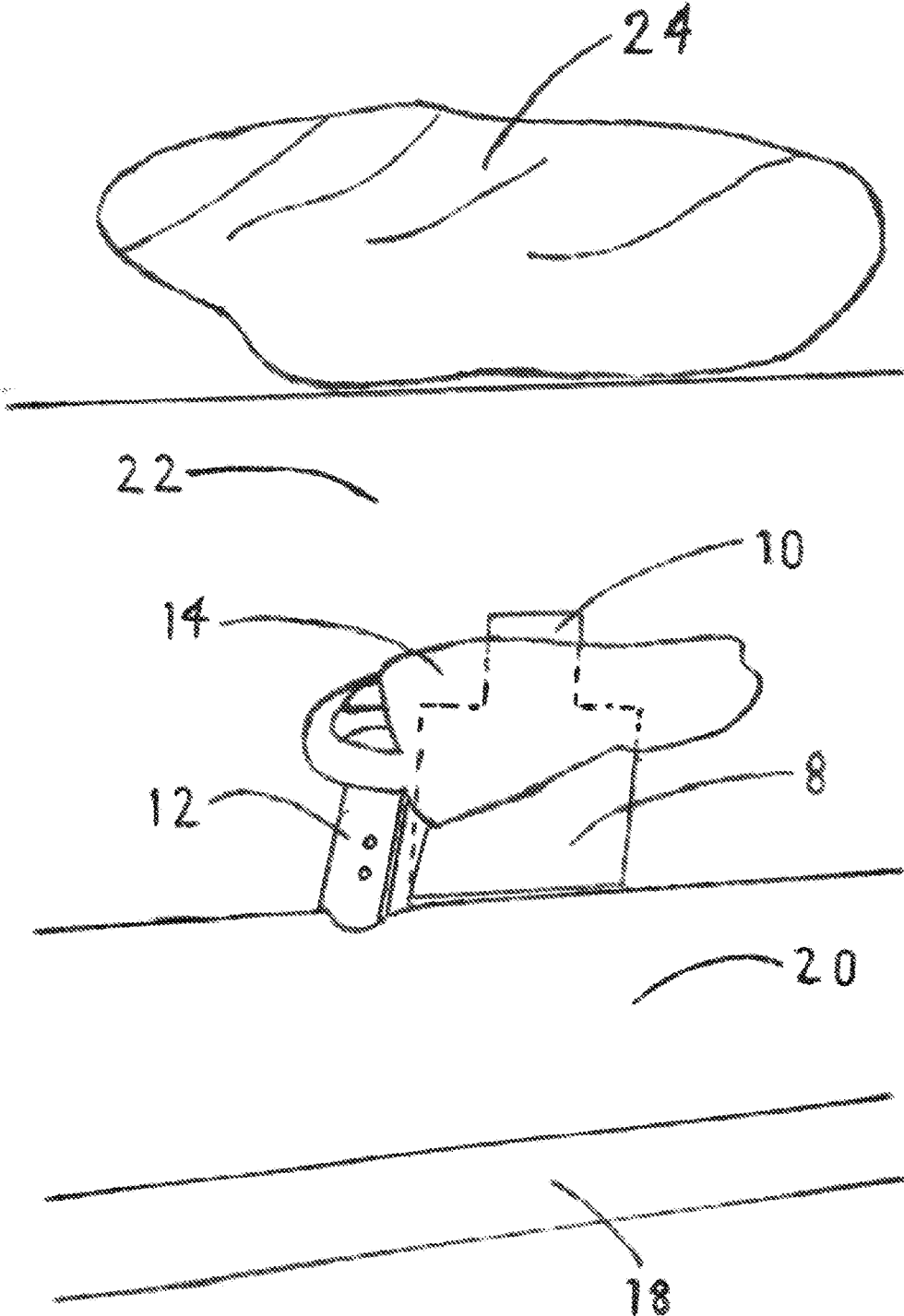


FIG. 5

**BEDSIDE GUN MOUNT**

CROSS-REFERENCE TO RELATED APPLICATIONS

[0001] This application claims the benefit of provisional patent application Ser. No. 63/179,498 that was filed 2021 Apr. 25 by the present inventor.

FEDERALLY SPONSORED RESEARCH

[0002] Not Applicable

SEQUENCE LICENSING OR PROGRAM

[0003] Not Applicable

BACKGROUND

[0004] There has been a need to locate and access hand-held firearms in the bedroom for personal safety when sleeping in bed. Many handgun owners currently place their firearms in locations where they are not safe for the person sleeping or in a location that does not allow for their handgun to be readily available.

[0005] In the current environment, many gun owners place their small firearm in their night stand next to their bed that does not readily make the firearm quickly accessible when needed. Some gun owners keep their small firearm in a location quite a distance from their bed, such as a closet or gun safe which increases the time to retrieve the firearm if needed. Sadly enough, some gun owners actually place their handgun under the pillow on their bed when they sleep. This by far is the worst possible location for safety reasons. The current environment has obvious disadvantages and safety concerns.

SUMMARY

[0006] The bedside gun mount comprises in a flat horizontal base that slides between the bed mattress and bed box springs with a vertical riser placing the holstered handgun next to the bed mattress with a notched tab at the top of the riser that receives a hand-held gun holster.

Advantages

[0007] With this bedside gun mount, there are several advantages improving the personal safety of the gun owner. The first advantage is the location of the firearm when mounted. It is located on the side of the bed positioned below the bed pillow, against the bed mattress. This allows for quick accessibility when needed and it is in a location where it will not be disturbed by the person sleeping. The bedside gun mount is designed to allow for use with most gun holsters with various styles of handguns. Additionally, the bedside gun mount is easily installed on any bed mattress and bed box spring so that it can be removed quickly then taken with the gun owner when traveling to use wherever they go. Finally, the bed gun mount slips easily and quickly between the bed mattress and bed box springs or remain in place when not in use. It can also be used on either side of the bed the gun owner prefers.

DRAWINGS— FIGURES

[0008] FIG. 1 shows the view from the front.

[0009] FIG. 2 shows the view from the back.

[0010] FIG. 3 shows the view from the back with a holstered gun positioned to be placed on the notched tab located on the vertical riser.

[0011] FIG. 4 shows the bedside gun mount positioned between the bed box springs and bed mattress.

[0012] FIG. 5 shows the bedside gun mount positioned between the bed box springs and bed mattress with the holstered gun.

DRAWINGS— REFERENCE NUMBERS

[0013]

6 horizontal base	8 vertical riser
10 notched tab	12 holstered gun
14 gun holster	16 gun holster belt loop
18 bed frame	20 bed box springs
22 bed mattress	24 bed pillow

DETAILED DESCRIPTION

[0014] One embodiment of the bedside gun mount is illustrated in FIG. 1 (front view) and FIG. 2 (back view). The bedside gun mount has a flat horizontal base 6 with a vertical riser 8 that also has a notched tab 10 at the end (top). It is manufactured using clear acrylic (0.3 cm thick). It is cut as one piece consisting of the horizontal base 6, vertical riser 8, and notched tab 10. The 90-degree corners have a small radius. Edges are machined and deburred smooth. The acrylic is heat bent to make the vertical riser 8 with notched tab 10.

[0015] The bedside gun mount has a 5.08 cm notched tab 10 on top of the vertical riser 8 allowing the gun holster belt loop 16 on the gun holster 14 to slide securely on to the notched tab 10 as illustrated in FIG. 3. The 5.08 cm notched tab 10 allows for most gun holsters 14 to be used on the bedside gun mount. The 15.24 cm×25.4 cm horizontal base 6 makes the bedside gun mount stable when the holstered gun 12 is slid into position.

[0016] The bedside gun mount can be used on either side of the bed and can be used on most beds. FIG. 4 illustrates the placement of the bedside gun mount between the bed box springs 20 and the bed mattress 22. The bedside gun mount is placed into position by sliding the horizontal base 6 between the bed box springs 20 and bed mattress 22. It should slide between the bed box springs 20 and bed mattress 22 until the vertical riser 8 and notched tab 10 contacts the bed mattress 22.

[0017] The optimal location for the bedside gun mount is on the bed below the bed pillow 24 to avoid inadvertently coming in contact with the holstered gun 12 when sleeping or getting in and out of bed as illustrated in FIG. 5. The holstered gun 12 is easily accessible and out of harms way when sleeping. The holstered gun 12 can be quickly removed and secured by sliding it off the notched tab 10 when not in bed and easily placed back on the bedside gun mount when returning to bed.

1. A device that accepts a holstered handgun that is mounted safely on the side of a bed where:

- a. The device can be easily and quickly placed on most beds.
- b. The holstered gun is safely out of the way when in use.
- c. The holstered gun can be placed, removed, and secured easily and quickly.

- d. The devise can be used with most handgun holsters.
- e. The clear acrylic allows the device to be inconspicuous when not in use.
- f. The device can be used on either side of the bed.
- g. Allowing the handgun readily available if needed while sleeping.

\* \* \* \* \*