



US00D643140S

(12) **United States Design Patent**
Areh

(10) **Patent No.:** **US D643,140 S**

(45) **Date of Patent:** **** Aug. 9, 2011**

(54) **STREET LAMP**

(75) Inventor: **Marko Areh, Radlje (SI)**

(73) Assignee: **GRAH Automotive D.O.O., Slovenske Konjice (SI)**

(**) Term: **14 Years**

(21) Appl. No.: **29/359,996**

(22) Filed: **Apr. 19, 2010**

(30) **Foreign Application Priority Data**

Oct. 19, 2009 (EM) 001625393

(51) **LOC (9) Cl.** **26-05**

(52) **U.S. Cl.** **D26/71**

(58) **Field of Classification Search** D26/67-71,
D26/85, 92; 362/145, 183, 231, 240, 249.02,
362/249.03, 249.04, 249.06, 249.16, 431
See application file for complete search history.

(56) **References Cited**

U.S. PATENT DOCUMENTS

D187,750	S	*	4/1960	Husby et al.	D26/71
D192,041	S	*	1/1962	Izzi	D26/71
D192,260	S	*	2/1962	Fahey, Jr.	D26/71
D202,212	S	*	9/1965	Izzi	D26/71
D239,861	S	*	5/1976	Van Steenhoven	D26/71

D391,659	S	*	3/1998	Gaskins et al.	D26/71
D570,516	S	*	6/2008	Orellana	D26/71
7,420,811	B2	*	9/2008	Chan	362/373
D601,292	S	*	9/2009	Yan et al.	D26/71
D609,383	S	*	2/2010	Chang	D26/71
D614,791	S	*	4/2010	Nibaldi	D26/71
D619,748	S	*	7/2010	Jong	D26/71
D622,888	S	*	8/2010	Chakravarty et al.	D26/71
D622,889	S	*	8/2010	Zheng	D26/71
2009/0262533	A1	*	10/2009	Liu et al.	362/249.02

* cited by examiner

Primary Examiner — Clare E Heflin

(74) *Attorney, Agent, or Firm* — Laurence A. Greenberg;
Werner H. Stemer; Ralph E. Locher

(57) **CLAIM**

The ornamental design for a street lamp, as shown and described.

DESCRIPTION

FIG. 1 is a top view of the street lamp showing my new design;

FIG. 2 is a side view thereof;

FIG. 3 is a rear view thereof;

FIG. 4 is a bottom view thereof;

FIG. 5 is a front elevational view thereof; and,

FIG. 6 is a left front perspective view thereof.

The broken lines shown on the drawings depict portions of the street lamp that form no part of the claimed design.

1 Claim, 6 Drawing Sheets

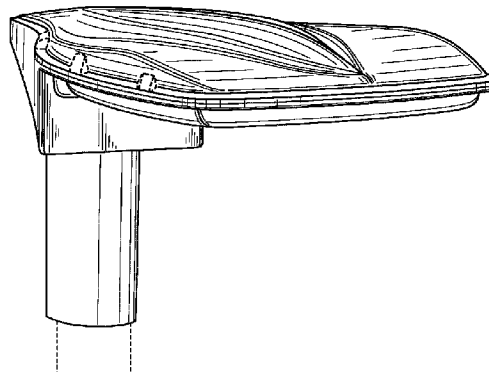
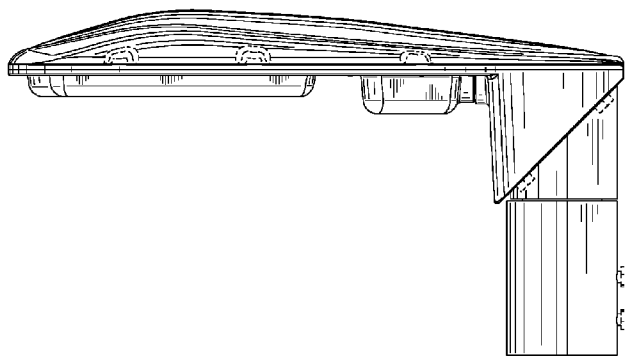
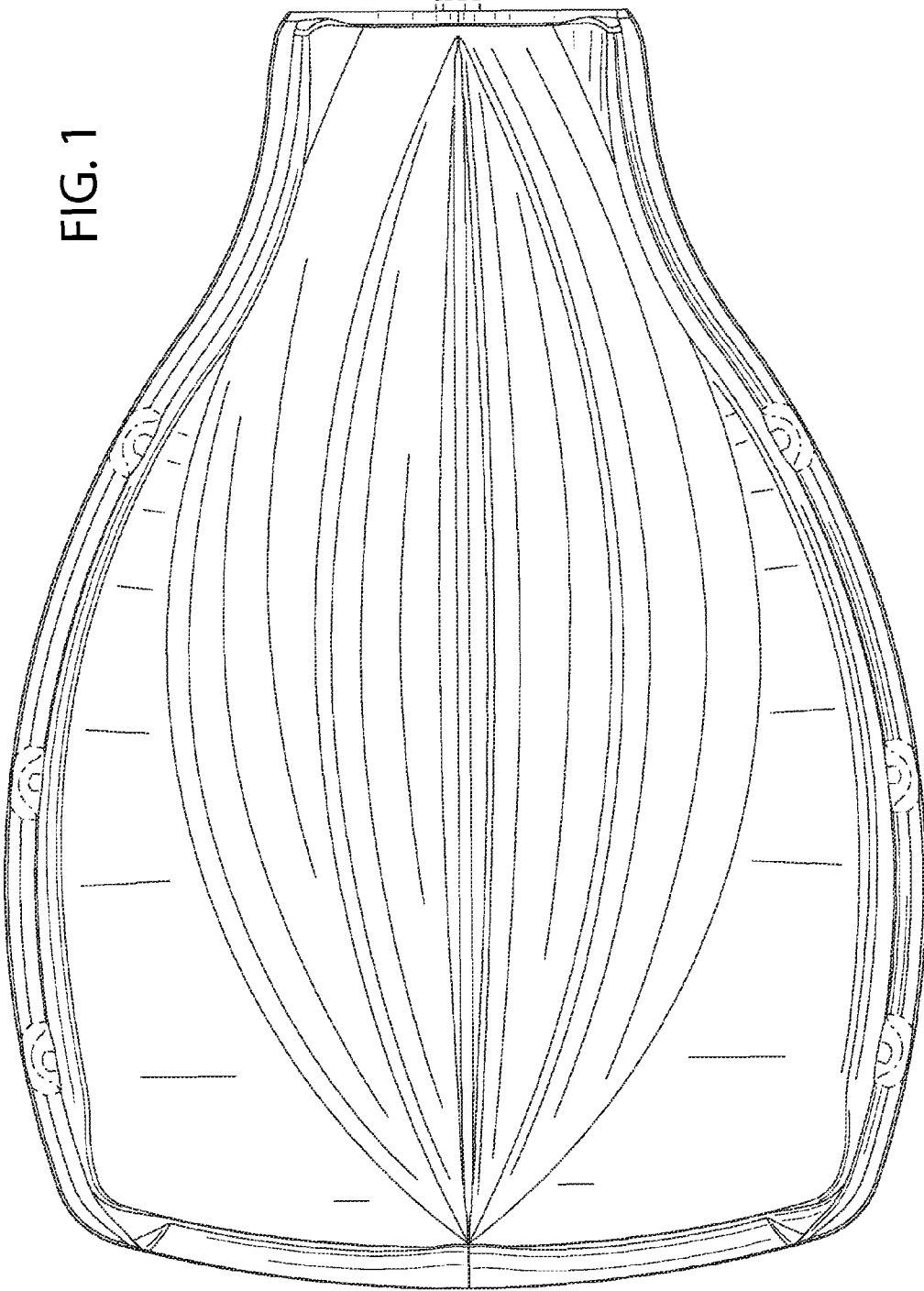


FIG. 1



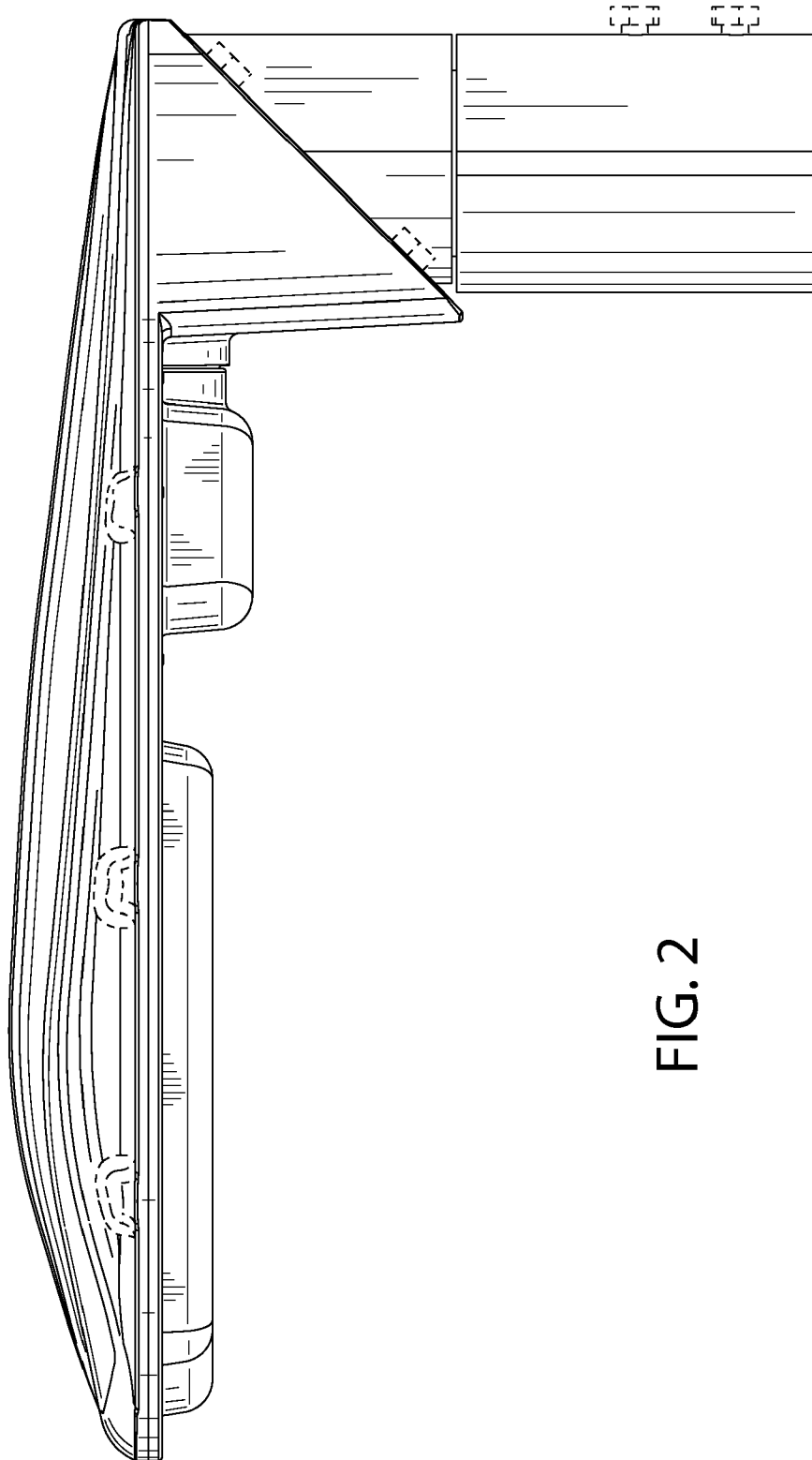


FIG. 2

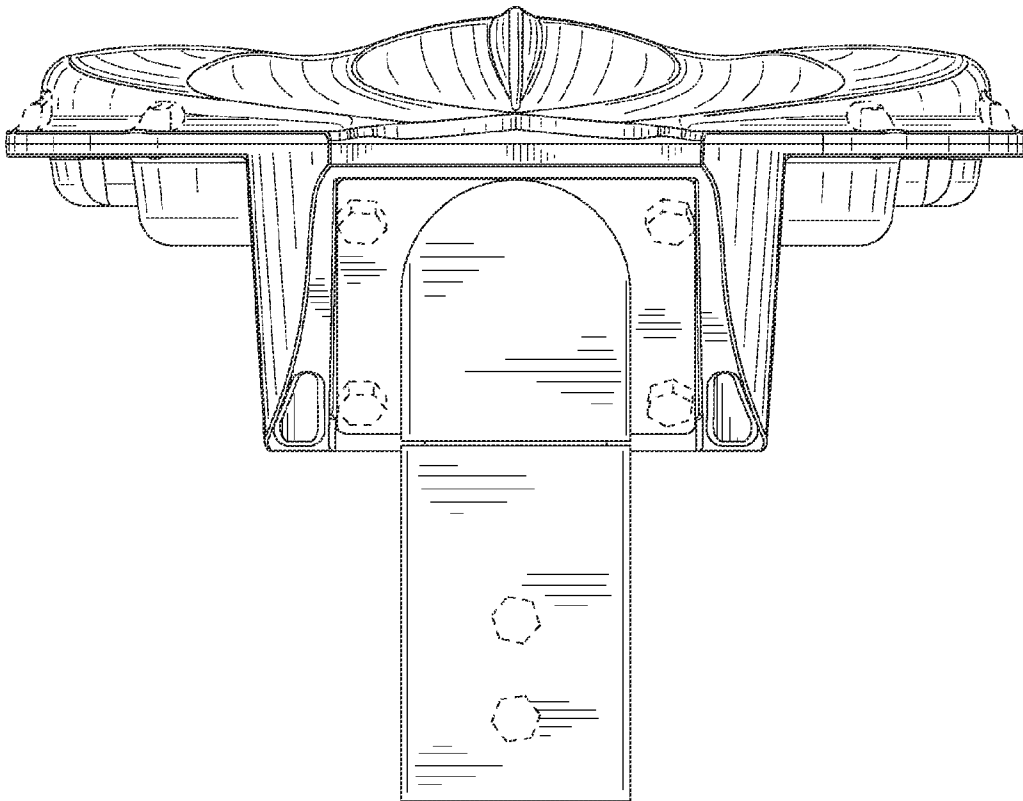


FIG. 3

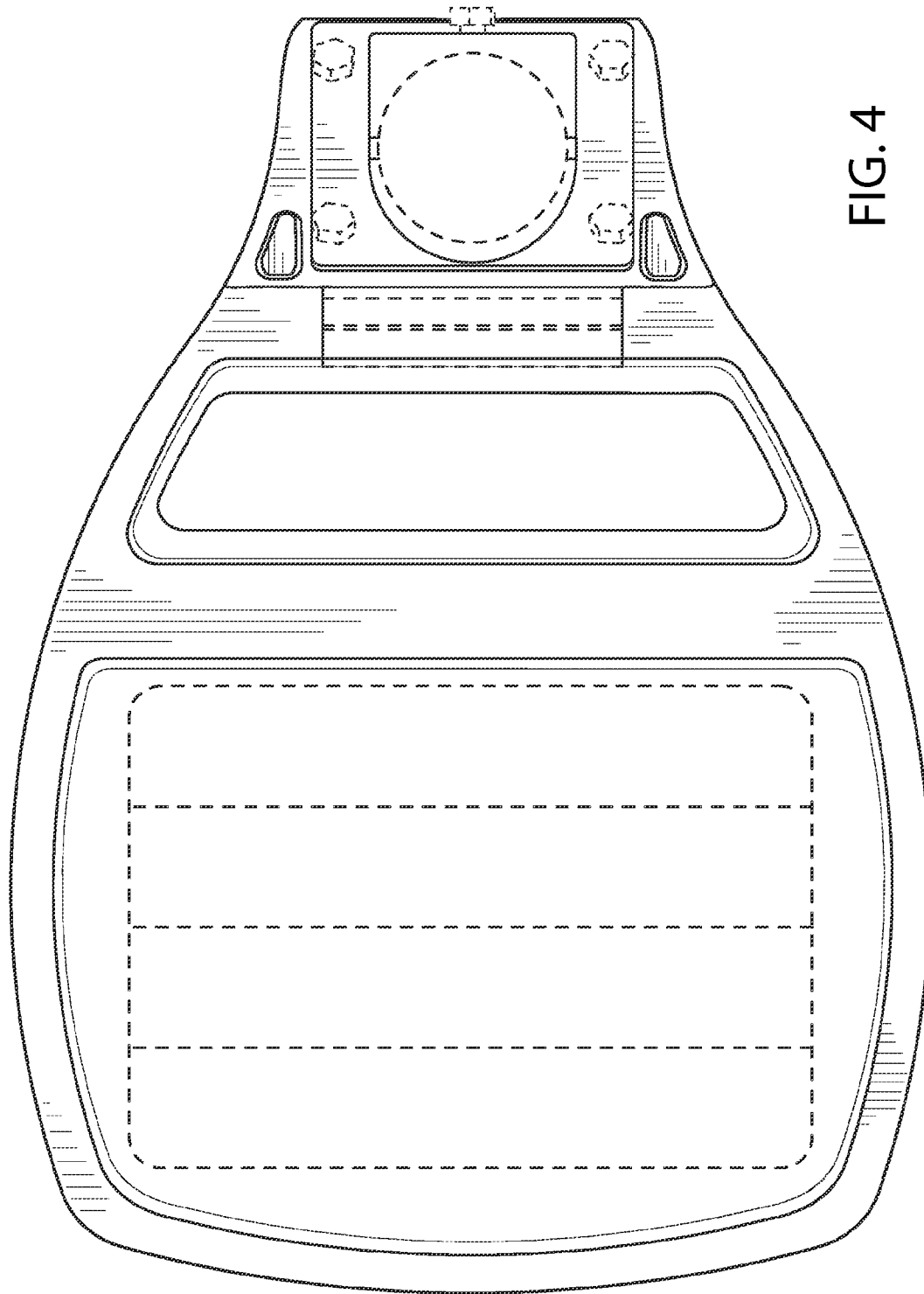


FIG. 4

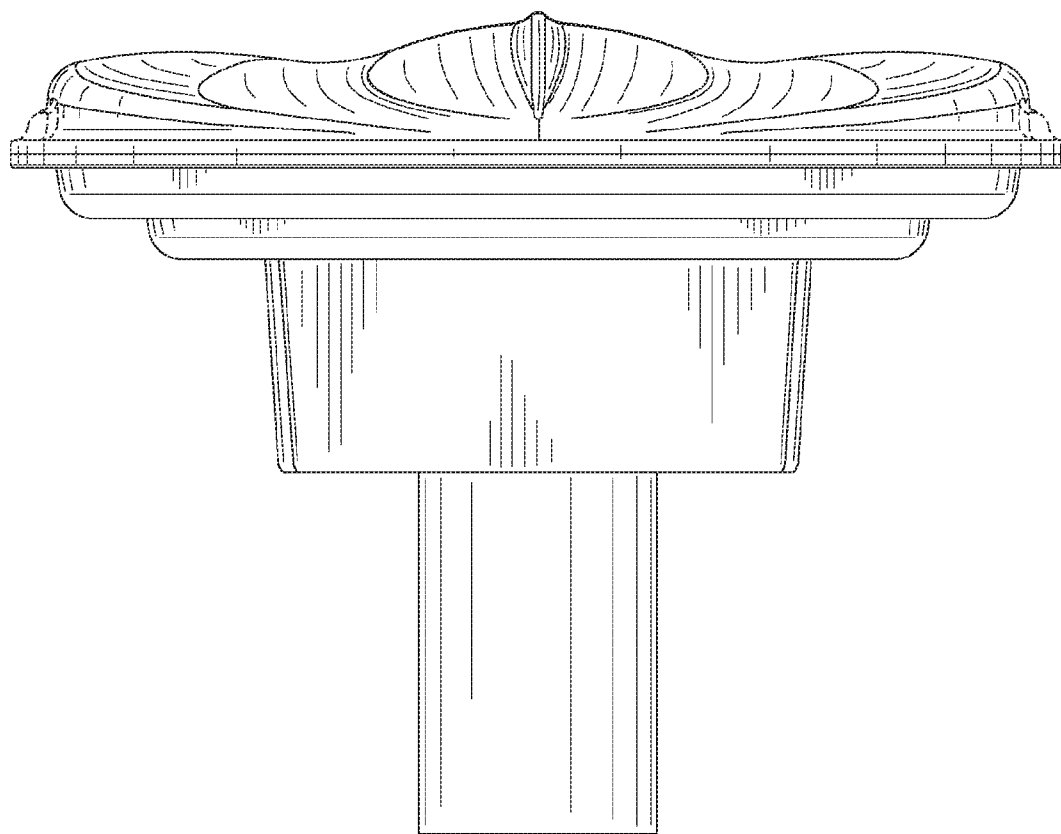


FIG. 5

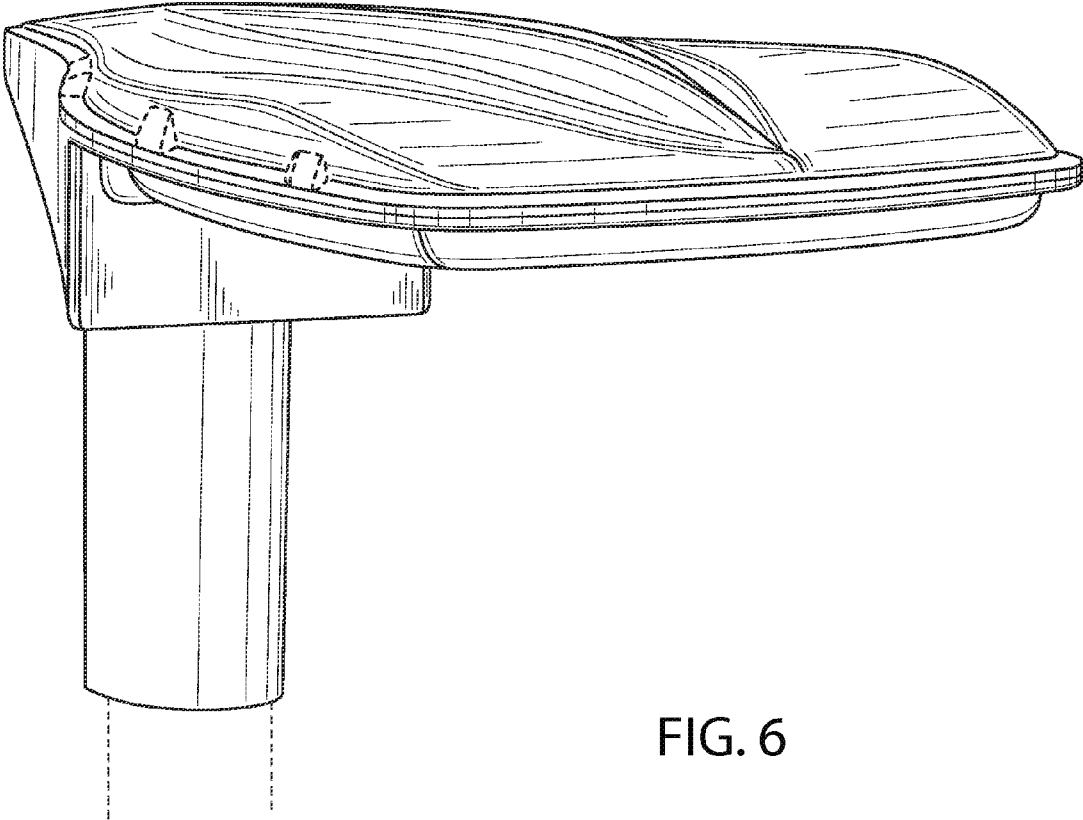


FIG. 6