

(19) World Intellectual Property Organization
International Bureau



(43) International Publication Date
18 October 2007 (18.10.2007)

PCT

(10) International Publication Number
WO 2007/117691 A3

(51) International Patent Classification:
A45C 13/06 (2006.01) B65B 67/04 (2006.01)
B65D 33/02 (2006.01)

(21) International Application Number:
PCT/US2007/008791

(22) International Filing Date: 11 April 2007 (11.04.2007)

(25) Filing Language: English

(26) Publication Language: English

(30) Priority Data:
11/401,819 10 April 2006 (10.04.2006) US

(71) Applicants and

(72) Inventors: **KUCERA, Robert** [US/US]; Post Office Box 27951, Concord, CA 94527 (US). **KUCERA, Beverly** [US/US]; Post Office Box 27951, Concord, CA 94527 (US).

(74) Agent: **DERGOSITS, Michael**; Dergosits & Noah LLP, Four Embarcadero Center, Suite 1450, San Francisco, CA 94111 (US).

(81) Designated States (unless otherwise indicated, for every kind of national protection available): AE, AG, AL, AM, AT, AU, AZ, BA, BB, BG, BH, BR, BW, BY, BZ, CA, CH, CN, CO, CR, CU, CZ, DE, DK, DM, DZ, EC, EE, EG, ES, FI, GB, GD, GE, GH, GM, GT, HN, HR, HU, ID, IL, IN, IS, JP, KE, KG, KM, KN, KP, KR, KZ, LA, LC, LK, LR, LS, LT, LU, LY, MA, MD, MG, MK, MN, MW, MX, MY, MZ, NA, NG, NI, NO, NZ, OM, PG, PH, PL, PT, RO, RS, RU, SC, SD, SE, SG, SK, SL, SM, SV, SY, TJ, TM, TN, TR, TT, TZ, UA, UG, US, UZ, VC, VN, ZA, ZM, ZW.

(84) Designated States (unless otherwise indicated, for every kind of regional protection available): ARIPO (BW, GH, GM, KE, LS, MW, MZ, NA, SD, SL, SZ, TZ, UG, ZM, ZW), Eurasian (AM, AZ, BY, KG, KZ, MD, RU, TJ, TM), European (AT, BE, BG, CH, CY, CZ, DE, DK, EE, ES, FI, FR, GB, GR, HU, IE, IS, IT, LT, LU, LV, MC, MT, NL, PL, PT, RO, SE, SI, SK, TR), OAPI (BF, BJ, CF, CG, CI, CM, GA, GN, GQ, GW, ML, MR, NE, SN, TD, TG).

Published:
— with international search report
— the filing date of the international application is within two months from the date of expiration of the priority period

(88) Date of publication of the international search report:
6 November 2008

(54) Title: CLOSURE DEVICE

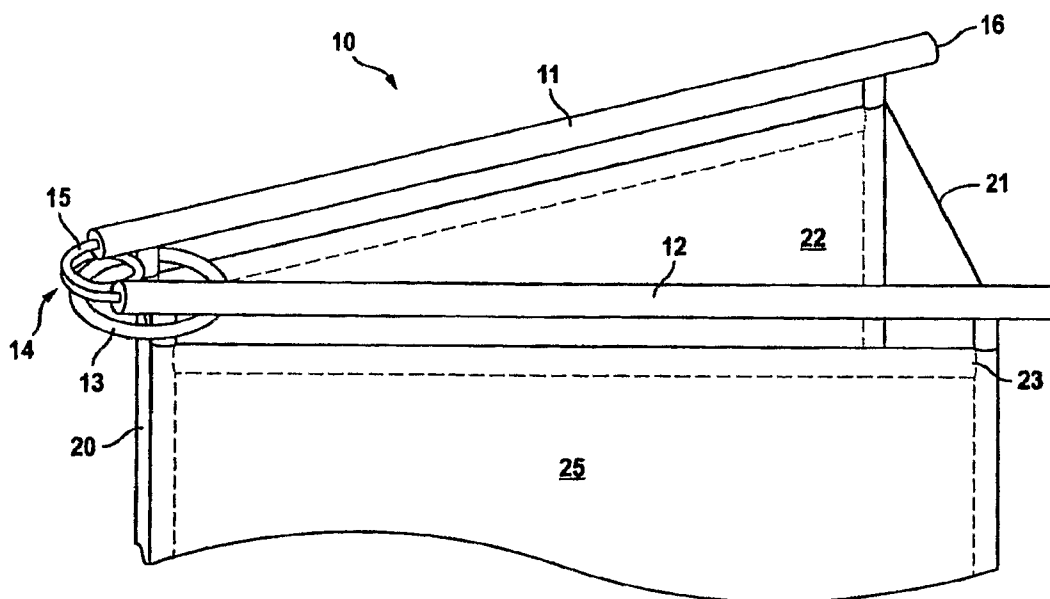


FIG. 1

(57) Abstract: A closure device for use in selectively opening and closing a receptacle. The closing device includes a pair of linear rods (11, 12) having proximal and distal ends and biasing means (14) connected to the proximal ends of the linear rods for urging the distal ends for the linear rods away from one another. A closure loop (13) is provided which is sized to pass along the linear rods.

WO 2007/117691 A3

INTERNATIONAL SEARCH REPORT

International application No.

PCT/US07/08791

A. CLASSIFICATION OF SUBJECT MATTER
 IPC: **A45C 13/06(2006.01);B65D 33/02(2006.01);B65B 67/04(2006.01)**

 USPC: **150/120;383/33,34;248/99**
 According to International Patent Classification (IPC) or to both national classification and IPC

B. FIELDS SEARCHED
 Minimum documentation searched (classification system followed by classification symbols)
 U.S. : 150/120; 383/33, 34; 248/99

 Documentation searched other than minimum documentation to the extent that such documents are included in the fields searched

 Electronic data base consulted during the international search (name of data base and, where practicable, search terms used)

C. DOCUMENTS CONSIDERED TO BE RELEVANT

Category *	Citation of document, with indication, where appropriate, of the relevant passages	Relevant to claim No.
X	US 2,03,1506 A (Ritter) 18 February 1936 (18.02.36), see figures.	1, 3-9, 11-13
---		-----
Y		1, 3-9, 11-13
Y	US 2,051,413 A (Lowenstein) 18 August 1936 (18.08.1936), see figures.	1, 3-9, 11-13
Y	US 6,471,267 A (Asazuma) 29 October 2002(29.10.2002), see figures.	2, 10
Y	US 4,323,272 A (Fortier) 06 April 1982 (06.04.1982), see figures.	1, 3-9, 11-13
Y	US 321,505 A (Jenkinson) 07 July 1885 (07.07.1885), see portion e in Fig. 7.	2, 10
A	US 4,434,829 A (Barnard) 06 March 1984 (06.03.1984), see figures.	1-13

Further documents are listed in the continuation of Box C. See patent family annex.

* Special categories of cited documents:	"T"	later document published after the international filing date or priority date and not in conflict with the application but cited to understand the principle or theory underlying the invention
"A" document defining the general state of the art which is not considered to be of particular relevance	"X"	document of particular relevance; the claimed invention cannot be considered novel or cannot be considered to involve an inventive step when the document is taken alone
"E" earlier application or patent published on or after the international filing date	"Y"	document of particular relevance; the claimed invention cannot be considered to involve an inventive step when the documents combined with one or more other such documents, such combination being obvious to a person skilled in the art
"L" document which may throw doubts on priority claim(s) or which is cited to establish the publication date of another citation or other special reason (as specified)	"&"	document member of the same patent family
"O" document referring to an oral disclosure, use, exhibition or other means		
"P" document published prior to the international filing date but later than the priority date claimed		

Date of the actual completion of the international search 09 July 2008 (09.07.2008)	Date of mailing of the international search report 25 JUL 2008
Name and mailing address of the ISA/US Mail Stop PCT, Attn: ISA/US Commissioner for Patents P.O. Box 1450 Alexandria, Virginia 22313-1450 Facsimile No. (571) 273-3201	Authorized officer Tri M. Mai <i>Tri M. Mai</i> Telephone No. (571)242-4050 <i>Jee</i>

INTERNATIONAL SEARCH REPORTInternational application No.
PCT/US07/08791**C (Continuation). DOCUMENTS CONSIDERED TO BE RELEVANT**

Category *	Citation of document, with indication, where appropriate, of the relevant passages	Relevant to claim No.
A	US 1,887,940 A (Marinsky) 15 November 1932 (15.11.1932), see figures.	1-13
A	US 972,870 A (Kandlbinder) 18 October 1910 (18.10.1910), see figures.	1-13

INTERNATIONAL SEARCH REPORT

International application No.

PCT/US07/08791

Box IV TEXT OF THE ABSTRACT (Continuation of Item 5 of the first sheet)

The abstract is too long (PCT Rule 8.1(b)). The abstract must be less than 150 words, or 200 words when no figure is to be published.

NEW ABSTRACT

A closure device for use in selectively opening and closing a receptacle. The closing device includes a pair of linear rods (11, 12) having proximal and distal ends and biasing means (14) connected to the proximal ends of the linear rods for urging the distal ends for the linear rods away from one another. A closure loop (13) is provided which is sized to pass along the linear rods.