



US012083020B2

(12) **United States Patent**  
**Heldreth et al.**

(10) **Patent No.:** **US 12,083,020 B2**

(45) **Date of Patent:** **Sep. 10, 2024**

(54) **ORTHOPAEDIC KNEE PROSTHESIS SYSTEM AND METHODS FOR USING SAME**

(58) **Field of Classification Search**  
CPC ..... A61F 2/4684; A61F 2/3859; A61F 2/389  
See application file for complete search history.

(71) Applicant: **Depuy Ireland Unlimited Company,**  
Ringaskiddy (IE)

(56) **References Cited**

(72) Inventors: **Mark A. Heldreth,** Warsaw, IN (US);  
**Travis D. Bennett,** Huntington, IN (US);  
**Amitkumar M. Mane,** South Whitley, IN (US);  
**Michael J. Rock,** Leeds (GB);  
**Thomas E. Wogoman,** Warsaw, IN (US)

U.S. PATENT DOCUMENTS

3,748,662 A	7/1973	Helfet
5,219,362 A	6/1993	Tuke et al.
5,370,701 A	12/1994	Finn
5,682,886 A	11/1997	Delp et al.
5,735,856 A	4/1998	Mccue et al.
5,871,018 A	2/1999	Delp et al.
5,964,808 A	10/1999	Blaha et al.
6,013,103 A	1/2000	Kaufman et al.

(Continued)

(73) Assignee: **DePuy Ireland Unlimited Company,**  
Ringaskiddy (IE)

(\* ) Notice: Subject to any disclaimer, the term of this patent is extended or adjusted under 35 U.S.C. 154(b) by 776 days.

FOREIGN PATENT DOCUMENTS

CN	102596107 A	7/2012
CN	103118635 A	5/2013

(Continued)

(21) Appl. No.: **17/015,471**

(22) Filed: **Sep. 9, 2020**

OTHER PUBLICATIONS

(65) **Prior Publication Data**

US 2021/0068965 A1 Mar. 11, 2021

Blaha, et al., "Advance Medial-Pivot and Stemmed Medial-Pivot Knee Systems," Wright Medical Technology, Inc. 2010.

(Continued)

**Related U.S. Application Data**

(60) Provisional application No. 62/898,256, filed on Sep. 10, 2019.

*Primary Examiner* — Jason-Dennis N Stewart

(74) *Attorney, Agent, or Firm* — Barnes & Thornburg LLP

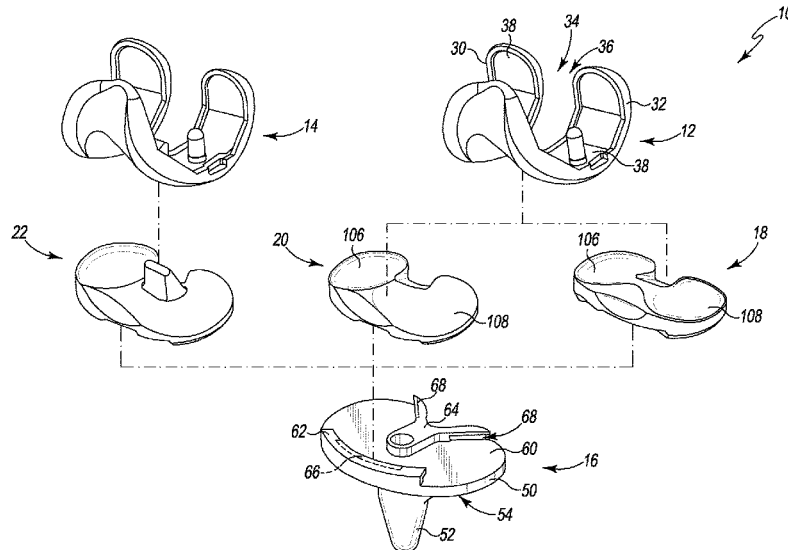
(51) **Int. Cl.**  
**A61F 2/38** (2006.01)  
**A61F 2/30** (2006.01)  
**A61F 2/46** (2006.01)

(57) **ABSTRACT**

An orthopaedic prosthesis system and associated instrumentation is disclosed. The system includes femoral and tibial components configured to be used in a number of different implanted configurations. The instrumentation is configured to facilitate preparation of the bones and selection of the implant configuration. A method of using the system is also disclosed.

(52) **U.S. Cl.**  
 CPC ..... **A61F 2/3859** (2013.01); **A61F 2/30771** (2013.01); **A61F 2/3868** (2013.01); **A61F 2/389** (2013.01); **A61F 2/461** (2013.01); **A61F 2/4684** (2013.01); **A61F 2002/30845** (2013.01); **A61F 2002/3863** (2013.01)

**11 Claims, 23 Drawing Sheets**



(56)

## References Cited

## U.S. PATENT DOCUMENTS

- |              |    |         |                    |
|--------------|----|---------|--------------------|
| 6,986,791    | B1 | 1/2006  | Metzger            |
| 7,081,137    | B1 | 7/2006  | Servidio           |
| 7,261,740    | B2 | 8/2007  | Tuttle et al.      |
| 7,731,755    | B2 | 6/2010  | Wyss et al.        |
| 8,187,335    | B2 | 5/2012  | Wyss et al.        |
| 8,192,498    | B2 | 6/2012  | Wagner et al.      |
| 8,211,181    | B2 | 7/2012  | Walker             |
| 8,236,061    | B2 | 8/2012  | Heldreth et al.    |
| 8,292,964    | B2 | 10/2012 | Walker             |
| 8,328,873    | B2 | 12/2012 | Metzger et al.     |
| 8,480,752    | B2 | 7/2013  | Dun                |
| 8,480,762    | B2 | 7/2013  | Yoshimitsu         |
| 8,628,579    | B2 | 1/2014  | Ries et al.        |
| 8,784,496    | B2 | 7/2014  | Wagner et al.      |
| 8,795,380    | B2 | 8/2014  | Heldreth et al.    |
| 8,808,388    | B2 | 8/2014  | McKinnon et al.    |
| 8,828,086    | B2 | 9/2014  | Williams et al.    |
| 8,834,575    | B2 | 9/2014  | Wyss et al.        |
| 8,915,965    | B2 | 12/2014 | Komistek           |
| 9,101,393    | B2 | 8/2015  | Jordan et al.      |
| 9,101,394    | B2 | 8/2015  | Arata et al.       |
| 9,168,145    | B2 | 10/2015 | Wyss et al.        |
| 9,216,088    | B2 | 12/2015 | Wasielewski        |
| 9,220,601    | B2 | 12/2015 | Williams et al.    |
| 9,299,138    | B2 | 3/2016  | Zellner et al.     |
| 9,320,616    | B2 | 4/2016  | Samuelson et al.   |
| 9,320,624    | B2 | 4/2016  | Shin               |
| 9,326,864    | B2 | 5/2016  | Wyss et al.        |
| 9,402,726    | B2 | 8/2016  | Linderman et al.   |
| 9,452,053    | B2 | 9/2016  | Wagner et al.      |
| 9,539,099    | B2 | 1/2017  | Heldreth et al.    |
| 9,603,711    | B2 | 3/2017  | Bojarski et al.    |
| 9,668,870    | B2 | 6/2017  | Wasielewski        |
| 9,707,088    | B2 | 7/2017  | Samuelson et al.   |
| 9,730,745    | B2 | 8/2017  | Biedermann et al.  |
| 9,788,954    | B2 | 10/2017 | Parisi et al.      |
| 9,820,821    | B2 | 11/2017 | Aram et al.        |
| 9,861,446    | B2 | 1/2018  | Lang               |
| 9,861,490    | B2 | 1/2018  | Wentorf et al.     |
| 9,931,216    | B2 | 4/2018  | Williams et al.    |
| 9,937,049    | B2 | 4/2018  | Wyss et al.        |
| 9,962,264    | B2 | 5/2018  | Komistek           |
| 10,080,633   | B2 | 9/2018  | Meerbeek et al.    |
| 10,080,663   | B2 | 9/2018  | Wasielewski        |
| 10,159,530   | B2 | 12/2018 | Lang               |
| 10,179,051   | B2 | 1/2019  | Heldreth et al.    |
| 10,179,052   | B2 | 1/2019  | Clary et al.       |
| 10,195,056   | B2 | 2/2019  | Wogoman et al.     |
| 10,201,429   | B2 | 2/2019  | Enomoto et al.     |
| 10,265,180   | B2 | 4/2019  | Wyss et al.        |
| 10,278,827   | B2 | 5/2019  | Drury et al.       |
| 10,478,307   | B2 | 11/2019 | Wasielewski et al. |
| 10,543,098   | B2 | 1/2020  | Williams et al.    |
| 10,729,551   | B2 | 8/2020  | Heldreth et al.    |
| 10,849,760   | B2 | 12/2020 | Wyss et al.        |
| 11,141,291   | B2 | 10/2021 | Wogoman et al.     |
| 11,160,659   | B2 | 11/2021 | Drury et al.       |
| 11,229,485   | B2 | 1/2022  | Otto et al.        |
| 11,324,598   | B2 | 5/2022  | Dai et al.         |
| 11,337,823   | B2 | 5/2022  | Williams et al.    |
| 11,364,081   | B2 | 6/2022  | Dees, Jr.          |
| 11,369,478   | B2 | 6/2022  | Wyss et al.        |
| 11,612,488   | B2 | 3/2023  | Wogoman et al.     |
| 2003/0009228 | A1 | 1/2003  | Figuerola et al.   |
| 2005/0096747 | A1 | 5/2005  | Tuttle et al.      |
| 2005/0107886 | A1 | 5/2005  | Crabtree et al.    |
| 2005/0278035 | A1 | 12/2005 | Wyss et al.        |
| 2007/0185581 | A1 | 8/2007  | Akizuki et al.     |
| 2008/0262812 | A1 | 10/2008 | Arata et al.       |
| 2008/0269596 | A1 | 10/2008 | Revie et al.       |
| 2009/0088860 | A1 | 4/2009  | Romeis et al.      |
| 2009/0204221 | A1 | 8/2009  | Walker             |
| 2009/0306786 | A1 | 12/2009 | Samuelson          |
| 2010/0036499 | A1 | 2/2010  | Pinskerova         |
| 2010/0161067 | A1 | 6/2010  | Saleh et al.       |
| 2010/0286788 | A1 | 11/2010 | Komistek           |
| 2011/0153026 | A1 | 6/2011  | Heggendorf et al.  |
| 2012/0197409 | A1 | 8/2012  | McKinnon et al.    |
| 2012/0265496 | A1 | 10/2012 | Mahfouz            |
| 2012/0310246 | A1 | 12/2012 | Belcher et al.     |
| 2012/0310362 | A1 | 12/2012 | Li et al.          |
| 2013/0006373 | A1 | 1/2013  | Wyss et al.        |
| 2013/0197653 | A1 | 8/2013  | Hawkins et al.     |
| 2013/0197654 | A1 | 8/2013  | Samuelson et al.   |
| 2013/0325021 | A1 | 12/2013 | Sordelet et al.    |
| 2014/0039635 | A1 | 2/2014  | Bartels et al.     |
| 2014/0081412 | A1 | 3/2014  | Metzger            |
| 2014/0277534 | A1 | 9/2014  | Wasielewski        |
| 2014/0330388 | A1 | 11/2014 | Mizuguchi et al.   |
| 2015/0032215 | A1 | 1/2015  | Slamin et al.      |
| 2015/0088264 | A1 | 3/2015  | Li et al.          |
| 2015/0190235 | A1 | 7/2015  | Mcminn             |
| 2016/0030184 | A1 | 2/2016  | Whiteside          |
| 2016/0317312 | A1 | 11/2016 | Bojarski et al.    |
| 2017/0020674 | A1 | 1/2017  | Walker             |
| 2017/0079801 | A1 | 3/2017  | Drury et al.       |
| 2017/0128219 | A1 | 5/2017  | Metzger et al.     |
| 2017/0189191 | A1 | 7/2017  | Heldreth et al.    |
| 2017/0189195 | A1 | 7/2017  | Blaha              |
| 2017/0266013 | A1 | 9/2017  | Enomoto et al.     |
| 2017/0340389 | A1 | 11/2017 | Otto et al.        |
| 2019/0209331 | A1 | 7/2019  | Varadarajan et al. |
| 2019/0209333 | A1 | 7/2019  | Drury et al.       |
| 2019/0240032 | A1 | 8/2019  | Wasielewski et al. |
| 2020/0069432 | A1 | 3/2020  | Mcminn             |
| 2020/0085583 | A1 | 3/2020  | Hodge              |
| 2020/0100902 | A1 | 4/2020  | Wasielewski et al. |
| 2020/0214843 | A1 | 7/2020  | Radermacher et al. |
| 2020/0246149 | A1 | 8/2020  | Matyas et al.      |
| 2022/0079678 | A1 | 3/2022  | Duxbury et al.     |

## FOREIGN PATENT DOCUMENTS

- |    |            |    |         |
|----|------------|----|---------|
| CN | 103327937  | A  | 9/2013  |
| CN | 108135701  | A  | 6/2018  |
| EP | 1604623    | A1 | 12/2005 |
| EP | 2572677    | A1 | 3/2013  |
| EP | 3854353    | A1 | 7/2021  |
| JP | 2006015133 | A  | 1/2006  |
| JP | 2010012253 | A  | 1/2010  |
| JP | 2010012255 | A  | 1/2010  |
| JP | 2012513254 | A  | 6/2012  |
| JP | 2014510562 | A  | 5/2014  |
| JP | 2014527419 | A  | 10/2014 |
| JP | 2015016379 | A  | 1/2015  |
| WO | 9723172    | A2 | 7/1997  |
| WO | 2010151564 | A1 | 12/2010 |
| WO | 2011075697 | A2 | 6/2011  |
| WO | 2013003433 | A1 | 1/2013  |
| WO | 2014143538 | A1 | 9/2014  |
| WO | 2017155995 | A1 | 9/2017  |
| WO | 2017160889 | A1 | 9/2017  |
| WO | 2017204832 | A1 | 11/2017 |

## OTHER PUBLICATIONS

- “Persona The Personalized Knee Surgical Technique,” Zimmer Biomet, 2018.
- “Persona The Personalized Knee, Medial Congruent Bearing Design Rationale,” Zimmer Biomet, 2017.
- “eMP Evolution Medial-Pivot Knee System, The ACL-PCL Substituting Knee, Key Aspects,” MicroPort Orthopedics, Inc., 2015.
- “Evolution Medial-Pivot Knee System, Surgical Technique, Distal Cut First Instrumentation,” MicroPort Orthopedics, Inc., 2014.
- PCT Search Report & Written Opinion prepared for PCT/EP2021/069244, dated Nov. 1, 2022, 24 pages.
- Smith & Nephew, Journey II TKA Total Knee System—Combined Technique for Journey II BCS and Journey II CR, 68 pages.
- International SR and Written Opinion for International App. No. PCT/US2020/022123, Completed May 8, 2020, 13 Pages.
- International SR and Written Opinon for International App. No. PCT/US2020/022119, Completed May 27, 2020, 11 Pages.

(56)

**References Cited**

OTHER PUBLICATIONS

International SR for International App. No. PCT/IB20/54105, dated Aug. 31, 2020, 3 Pages.

PCT International SR for International App. No. PCT/IB20/54110, dated Aug. 12, 2020, 3 Pages.

PCT International SR and Written Opinion for International App. No. PCT/EP2020/075246, dated Mar. 15, 2022, 11 Pages.

Hossain, Fahad et al: "Knee Arthroplasty With a Medially Conforming Ball-And-Sock Tibiofemoral Articulation Provides Better Function", Annual Meeting of the Knee Society, vol. 469, No. 1, Jan. 1, 2011 (Jan. 1, 2011), pp. 55-63, XP055947606.

Shimmin Andrew et al: "Fluoroscopic Motion Study Confirming the Stability of a Medial Pivot Design Total Knee Arthroplasty", The Knee, Elsevier, Amsterdam, NL, vol. 22, No. 6, Dec. 7, 2014 (Dec. 7, 2014), pp. 522-526, XP029361524, ISSN: 0968-0160, DOI: 10.1016/J.KNEE.2014.11.011.

Morra, A., et al: "Virtual Geometric Constraint of Total Knee Arthroplasty Designs: Addressing Patient Needs", Orthopaedic Research Laboratories, Mar. 1, 2016 (Mar. 1, 2016), XP055947619.

Anonymous: "GMK Sphere Medially Stabilized Knee", Sep. 1, 2019 (Sep. 1, 2019), pp. 1-24, XP093115521.

Anonymous: "Medacta Announces 100,000 GMK Sphere Implanted Worldwide", Jun. 24, 2021 (Jun. 24, 2021), XP093115522, Retrieved From the Internet: URL:<https://www.medacta.com/gr/news-detaipid-15123#atext=gmk%20sphere%2c>.

Third Party Observation, European Patent Appln. No. 20718018.3, Jul. 8, 2022, 7 Pages.

Notice of Reasons for Refusal, JP Application No. 2021-554721, Nov. 30, 2023 (6 pages).

Notice of Reasons for Refusal, JP Application No. 2021-554720, Dec. 5, 2023 (7 pages).

First Office Action CN Application No. 202080020406.X, Jan. 30, 2024 (9 pages).

Examination Report EP Application No. 20718018.3, Jan. 10, 2024 (6 pages).

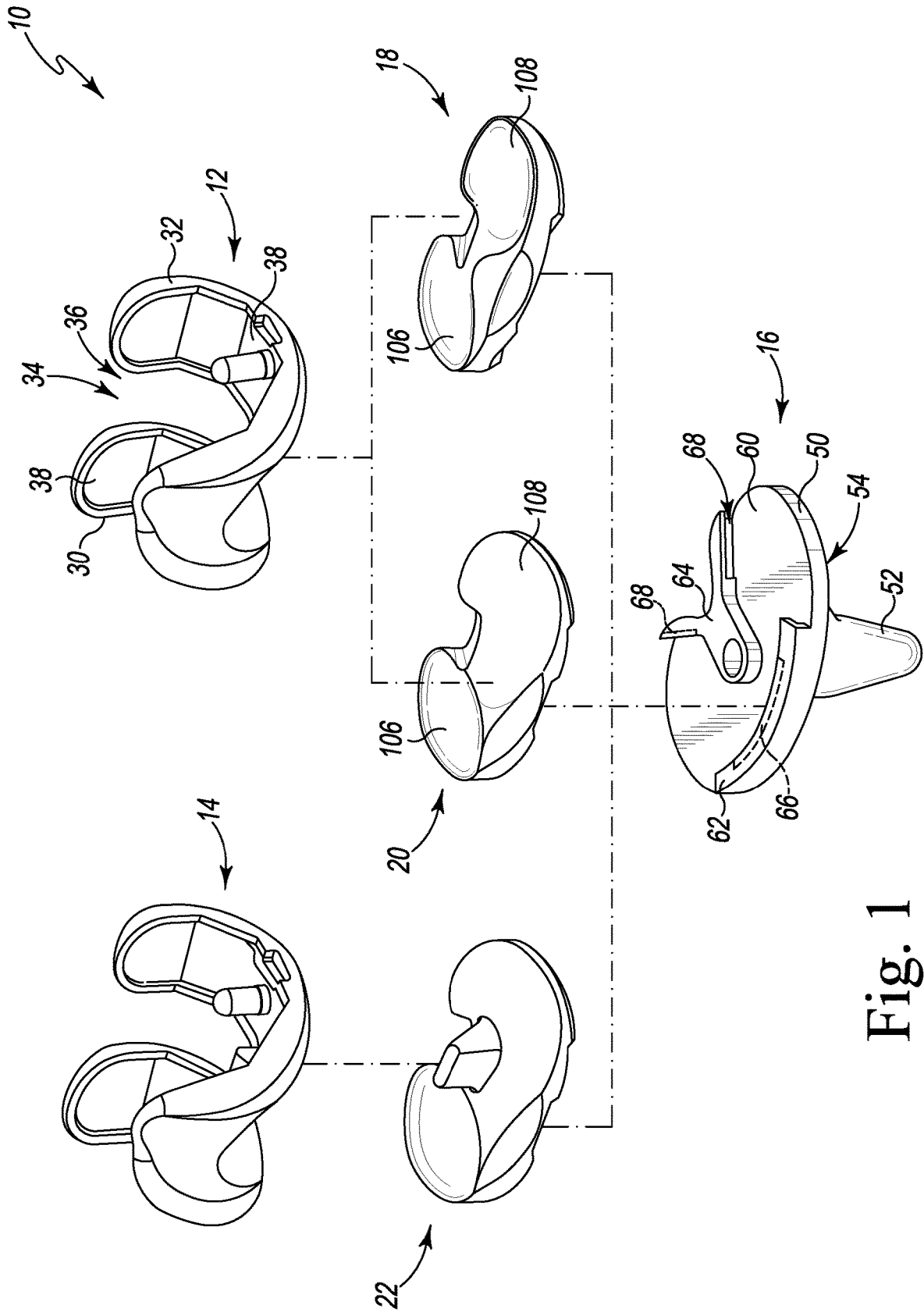


Fig. 1

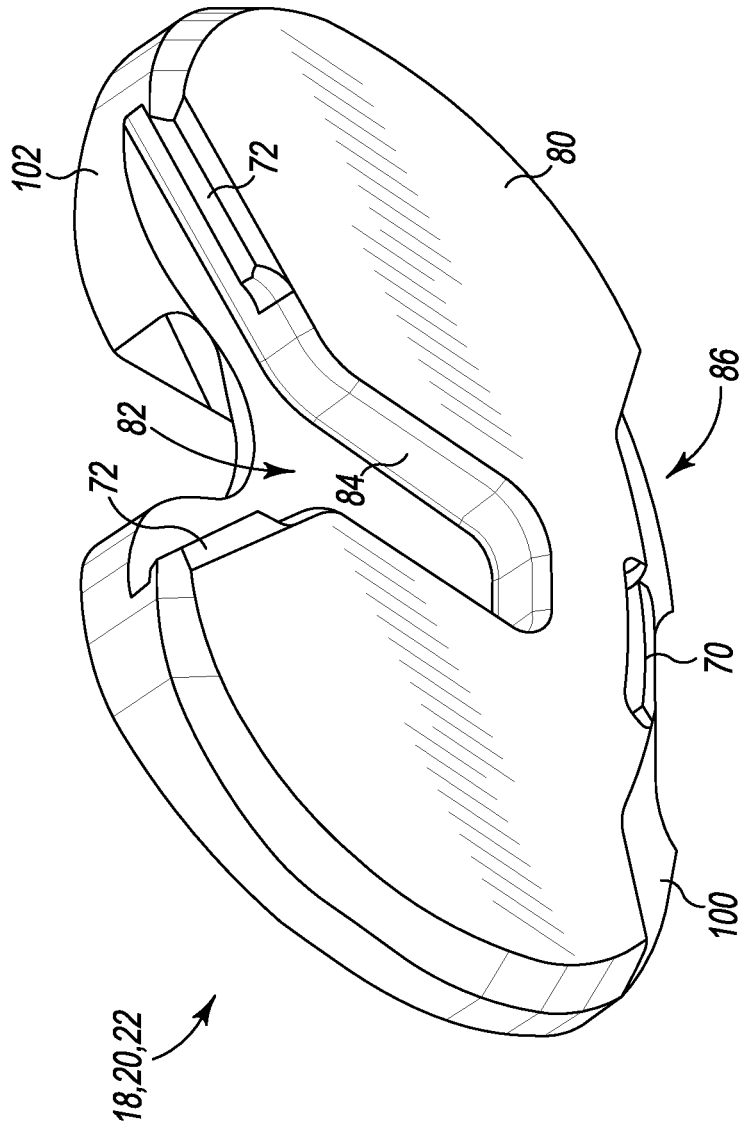


Fig. 2

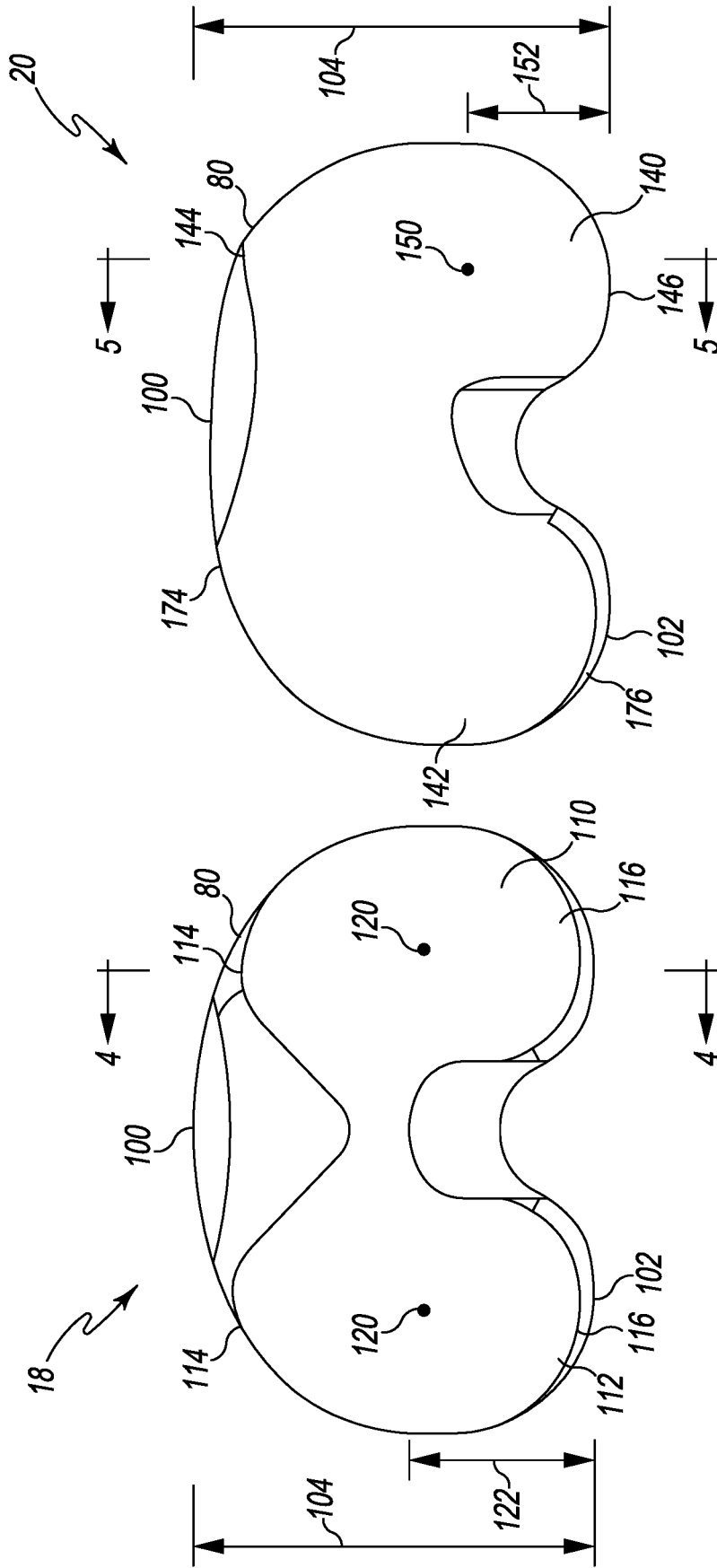


Fig. 3

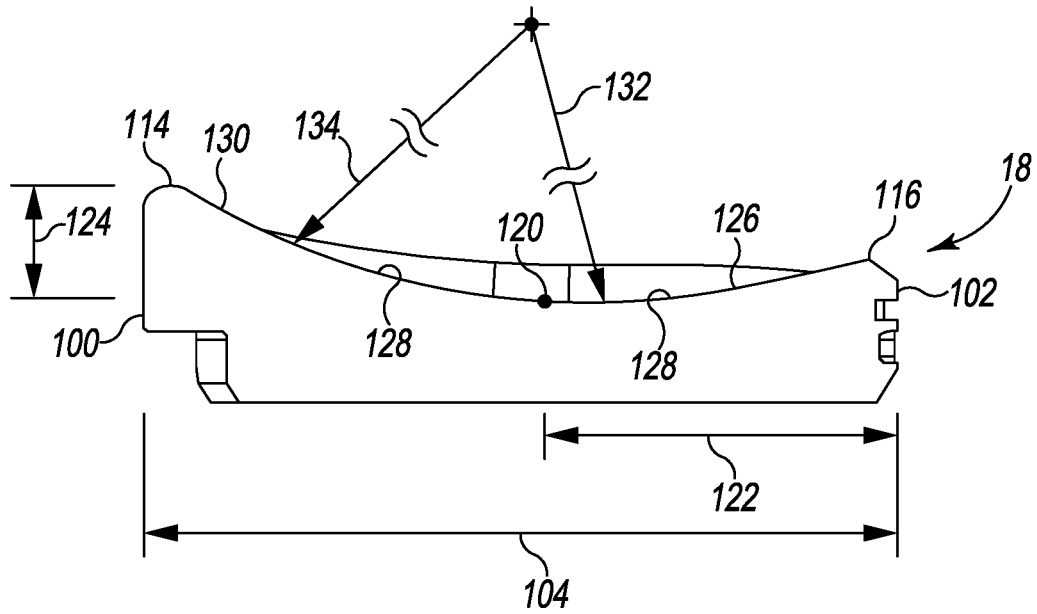


Fig. 4

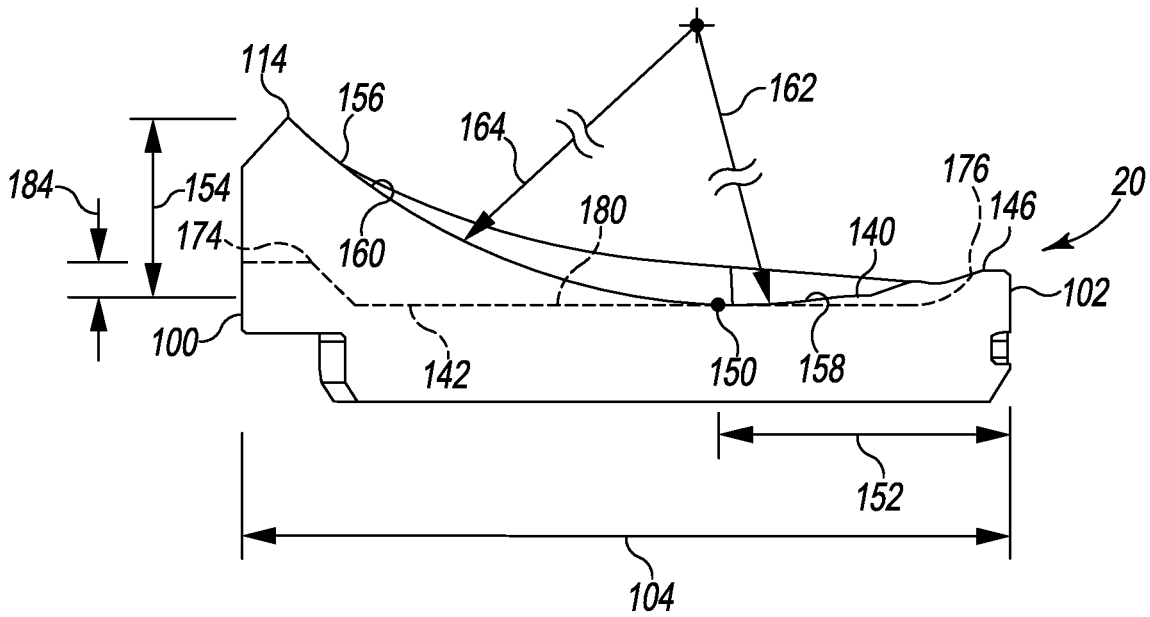


Fig. 5

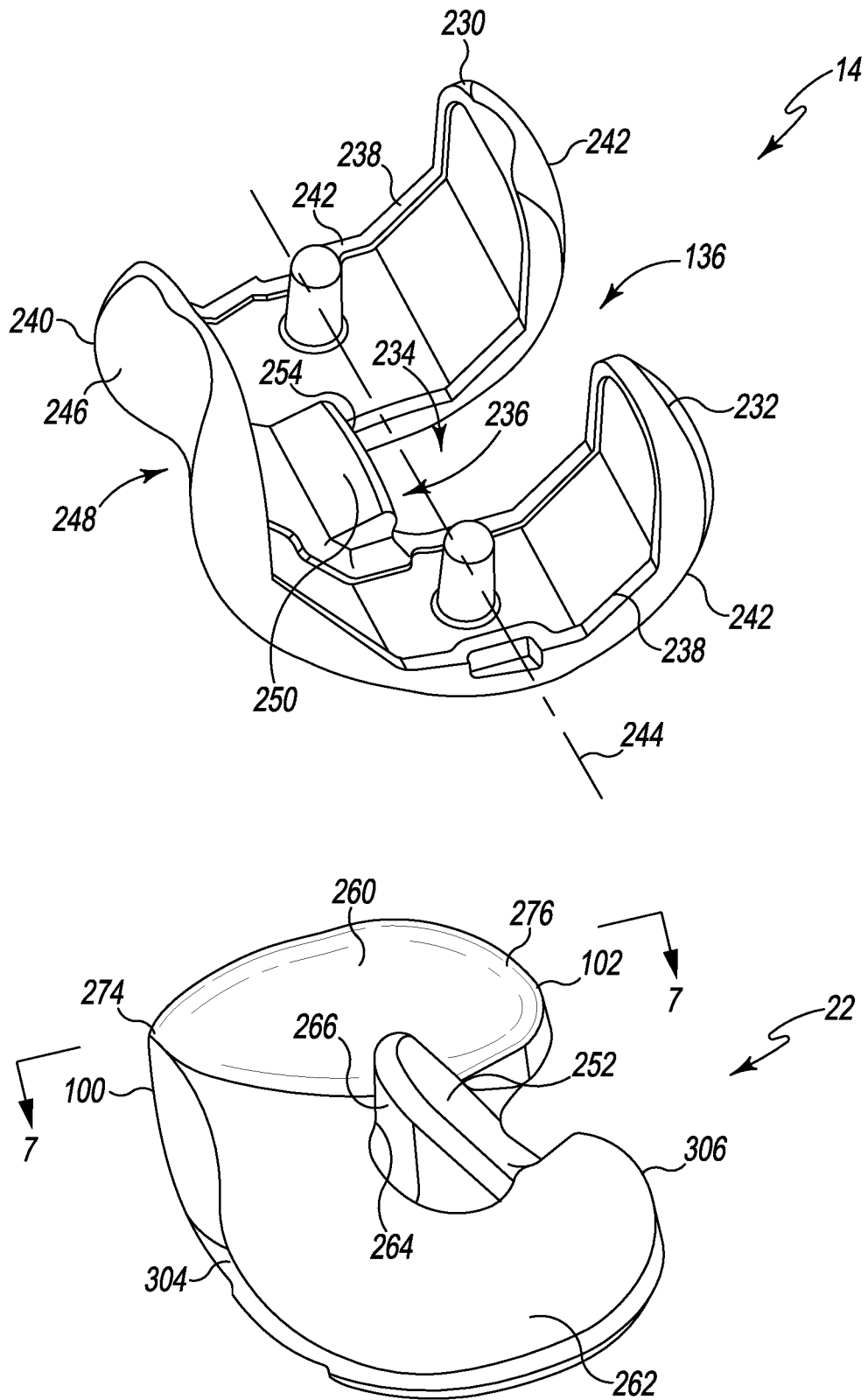


Fig. 6



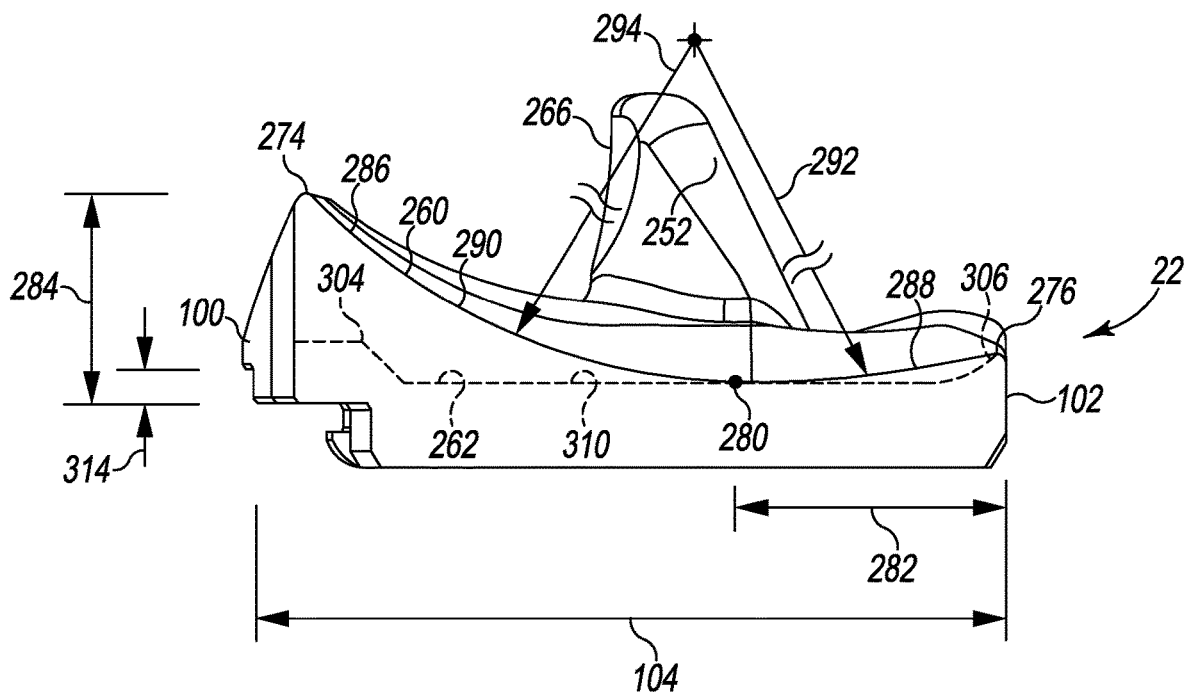


Fig. 7

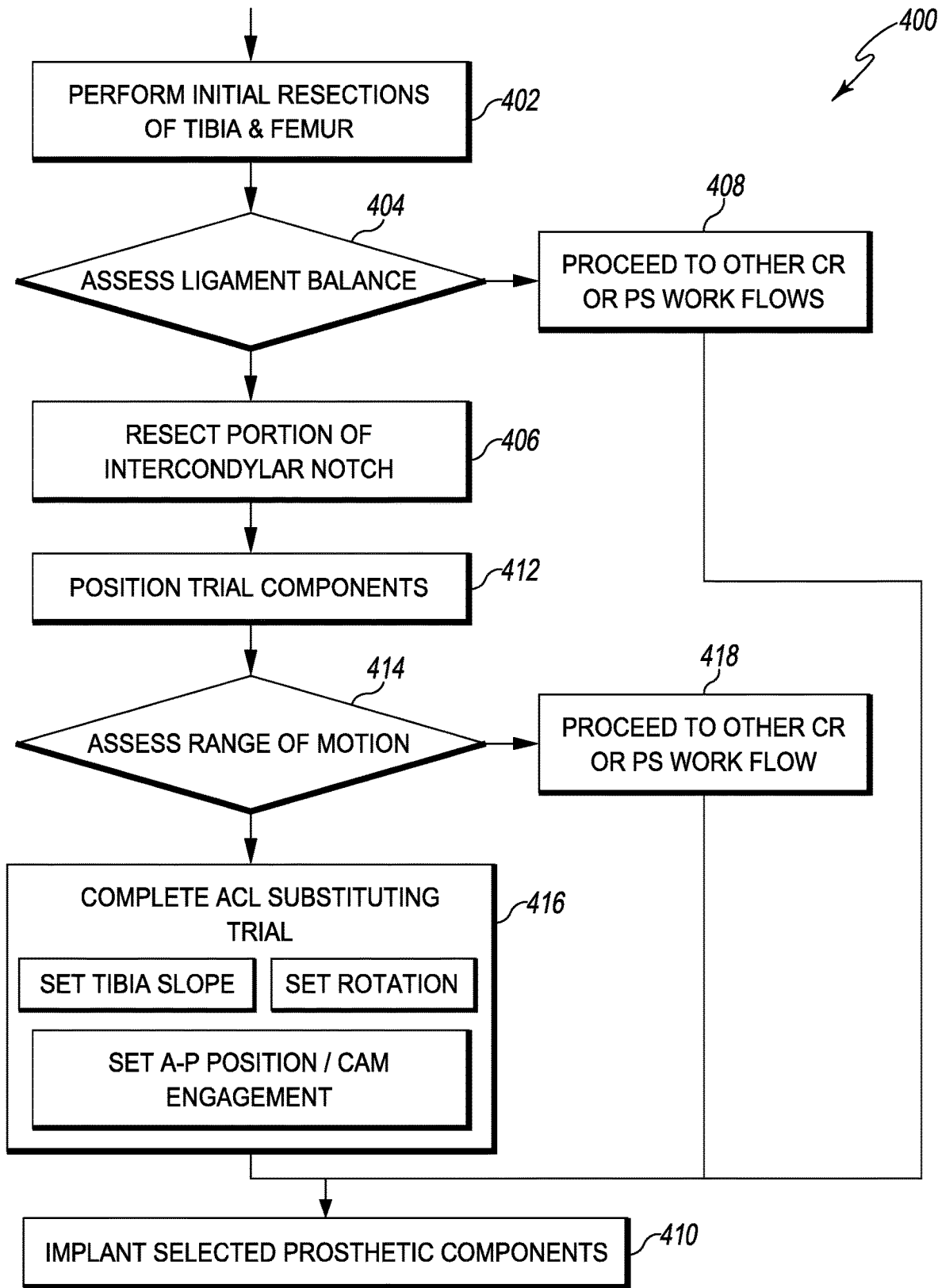


Fig. 8

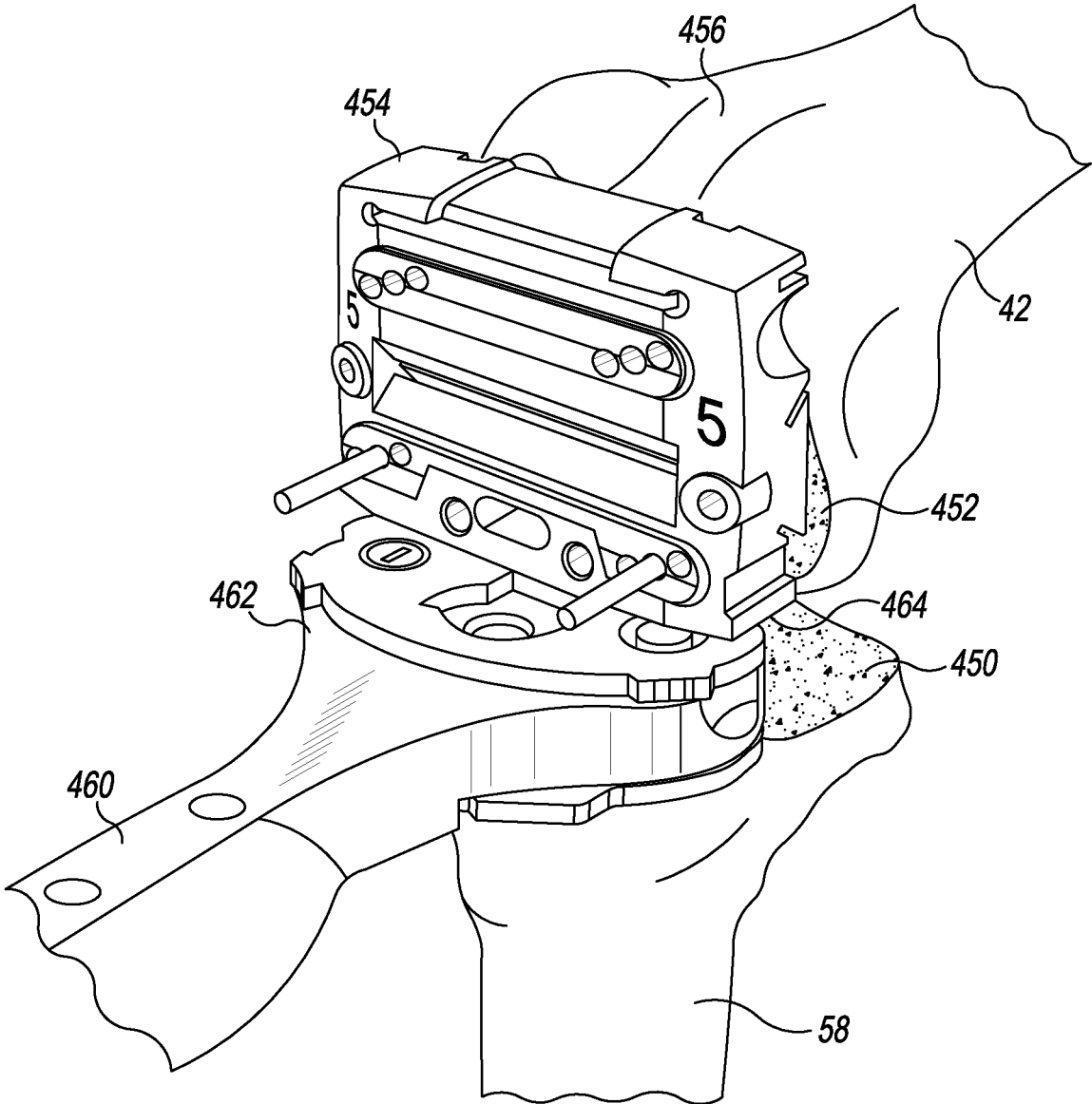


Fig. 9

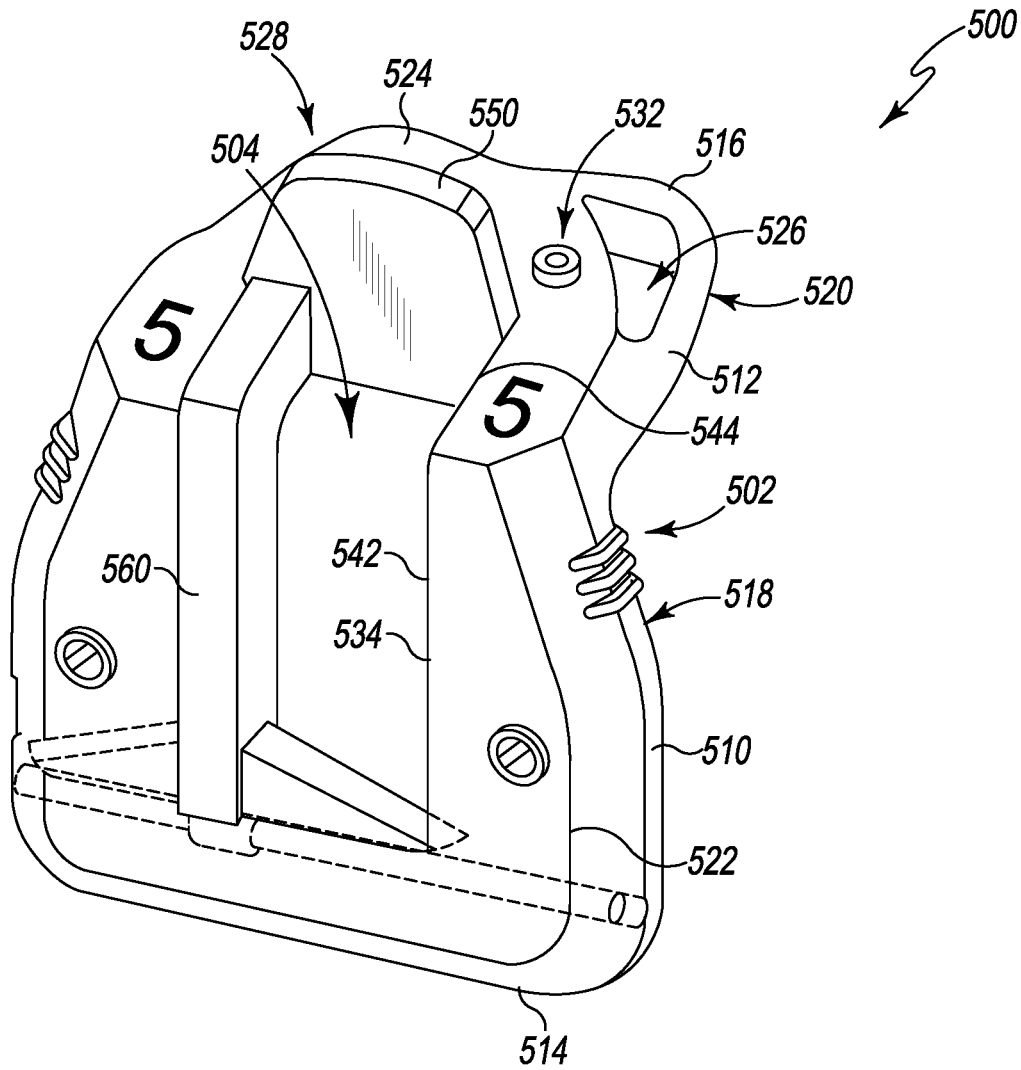


Fig. 10

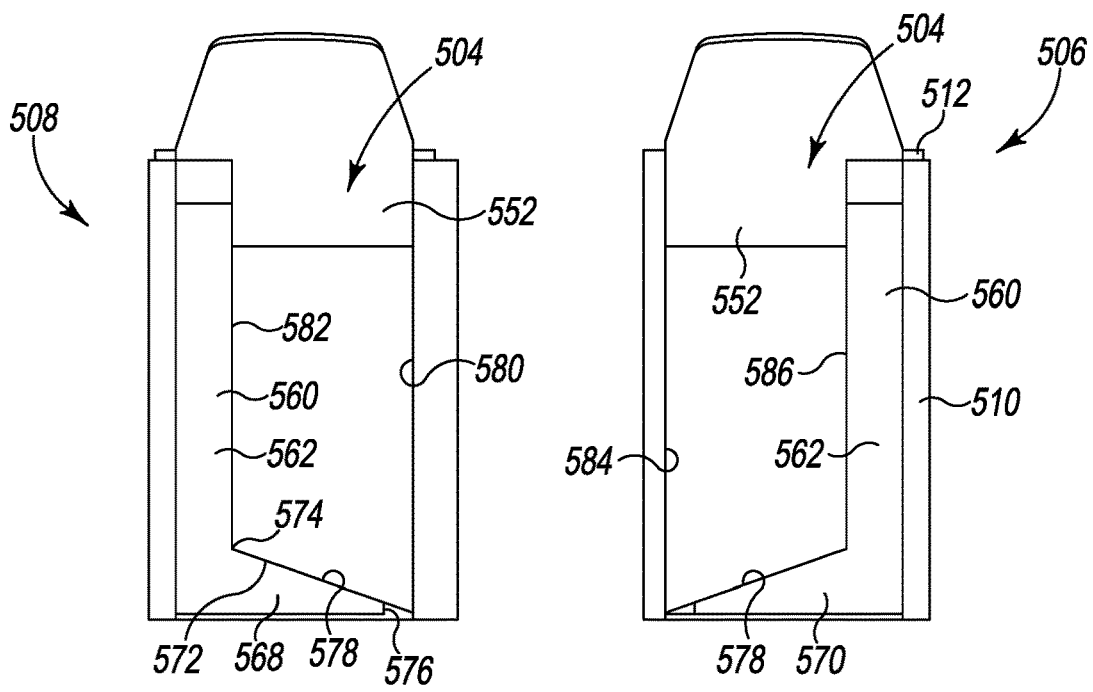


Fig. 11

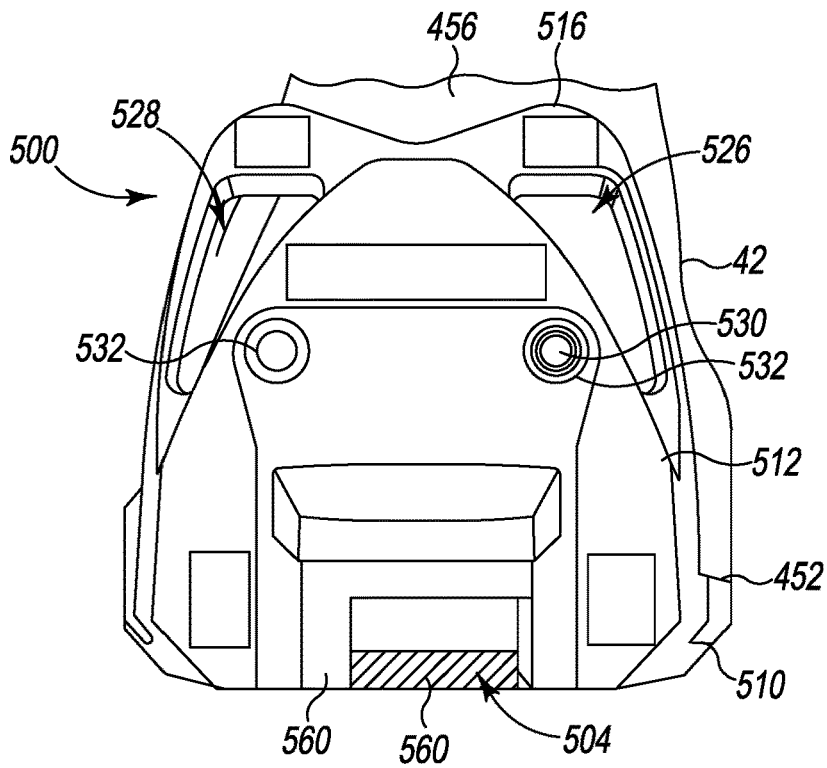


Fig. 13



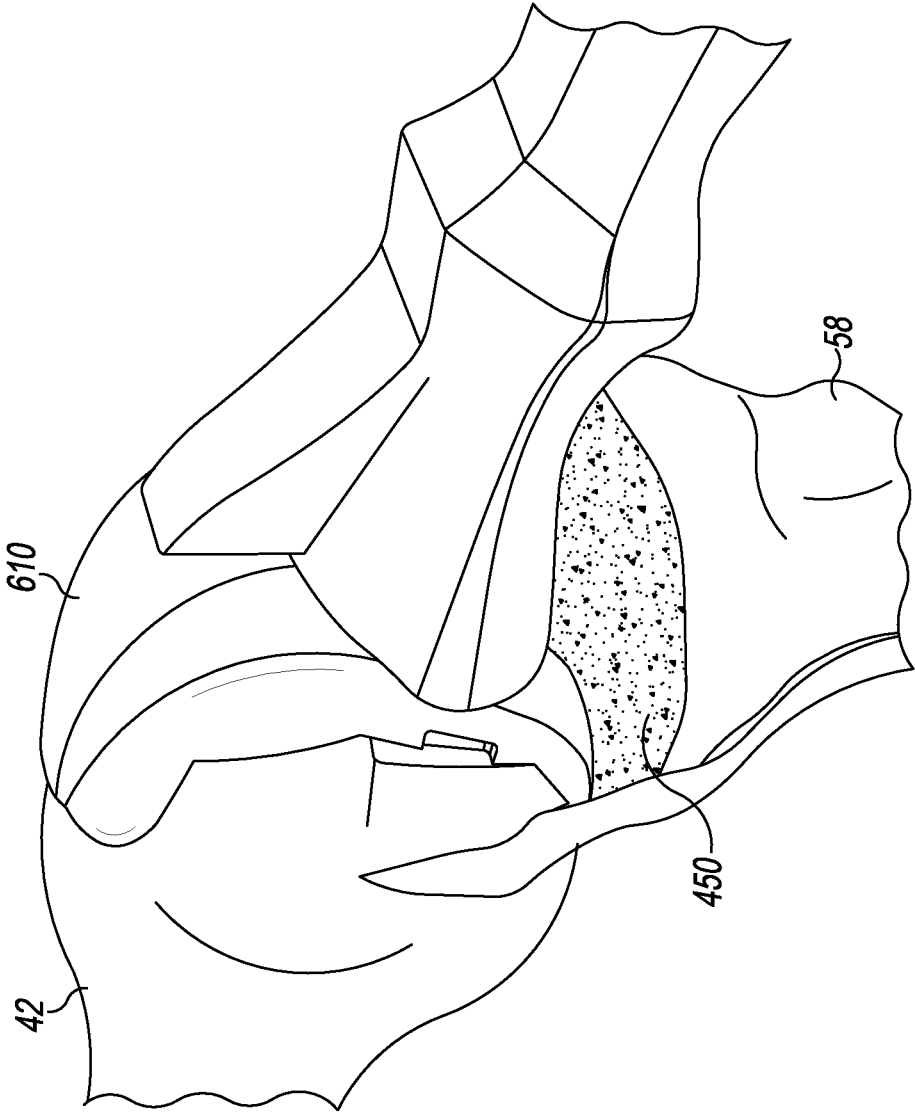


Fig. 14

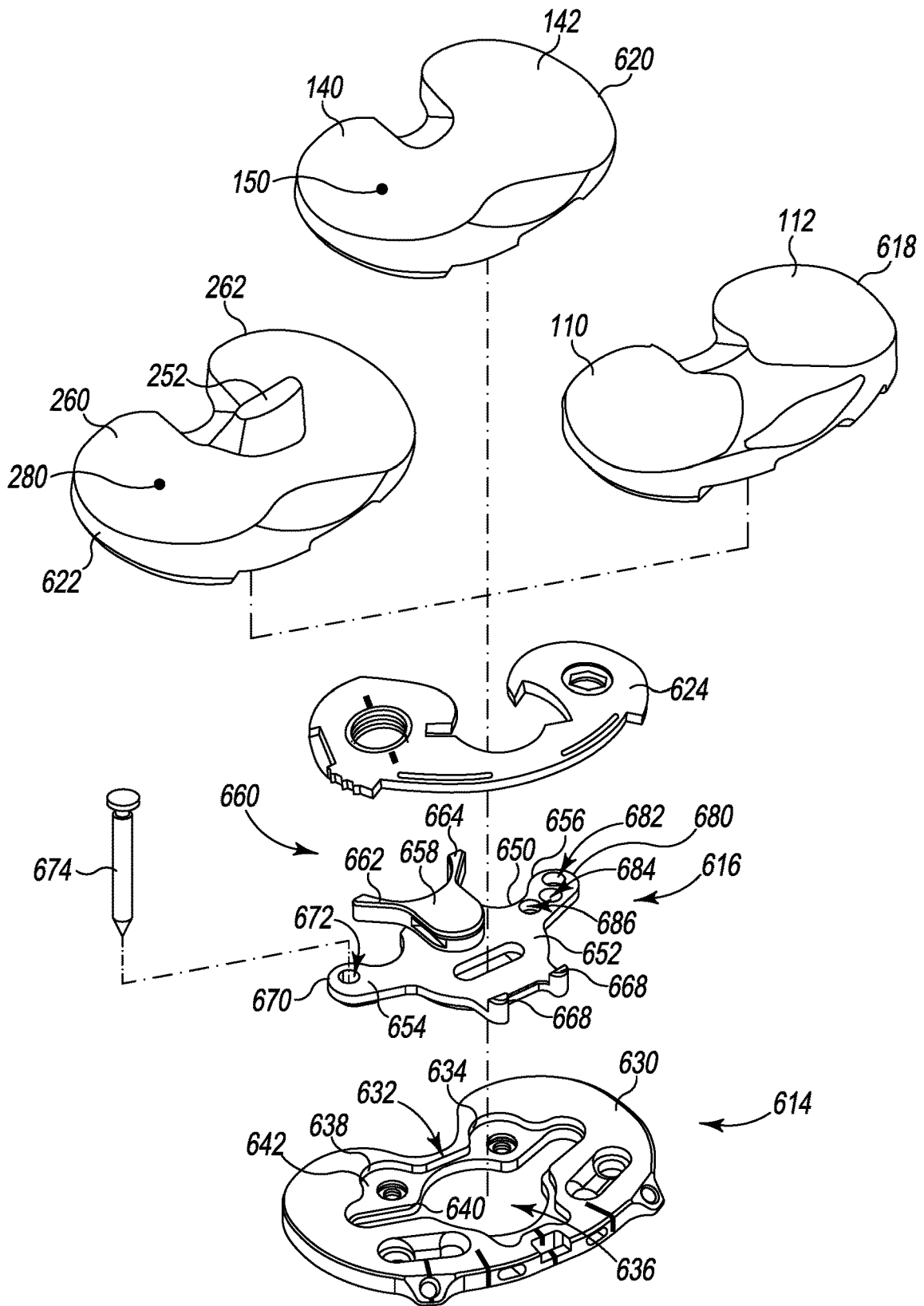


Fig. 15



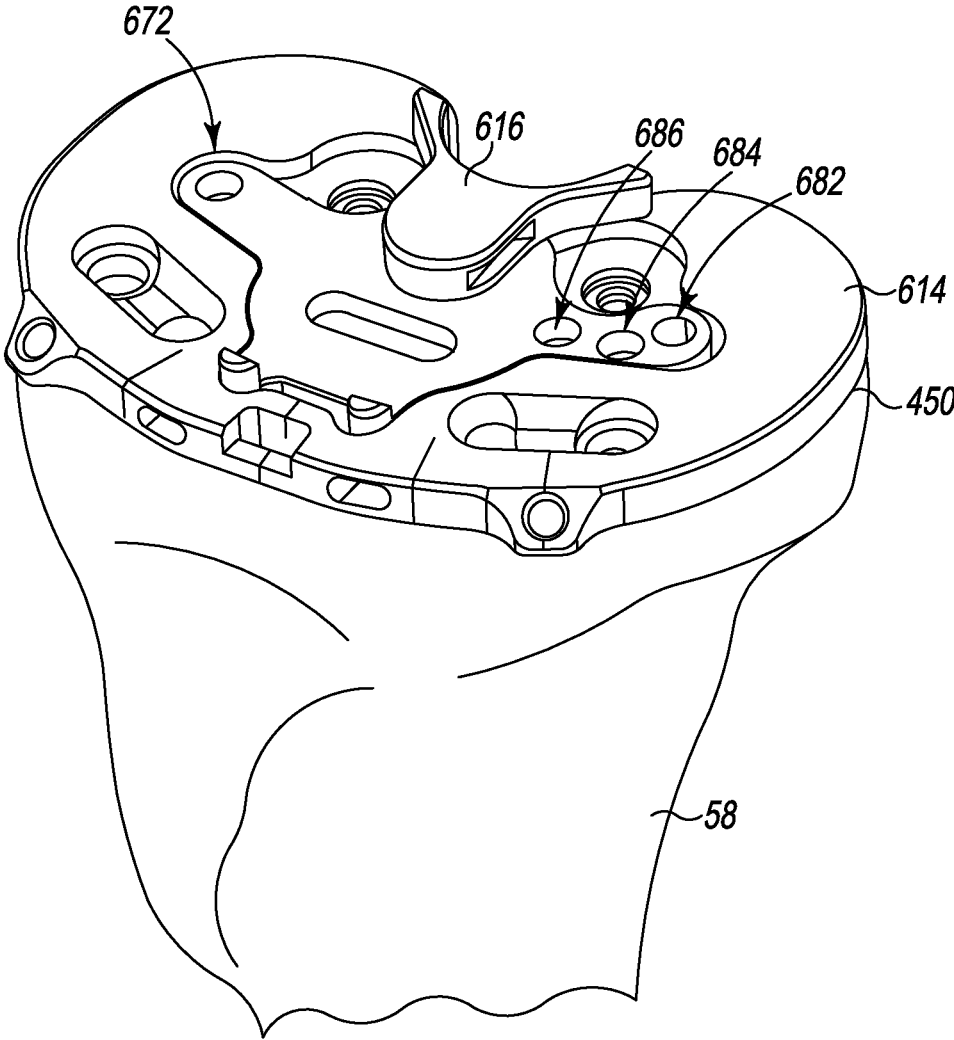


Fig. 16

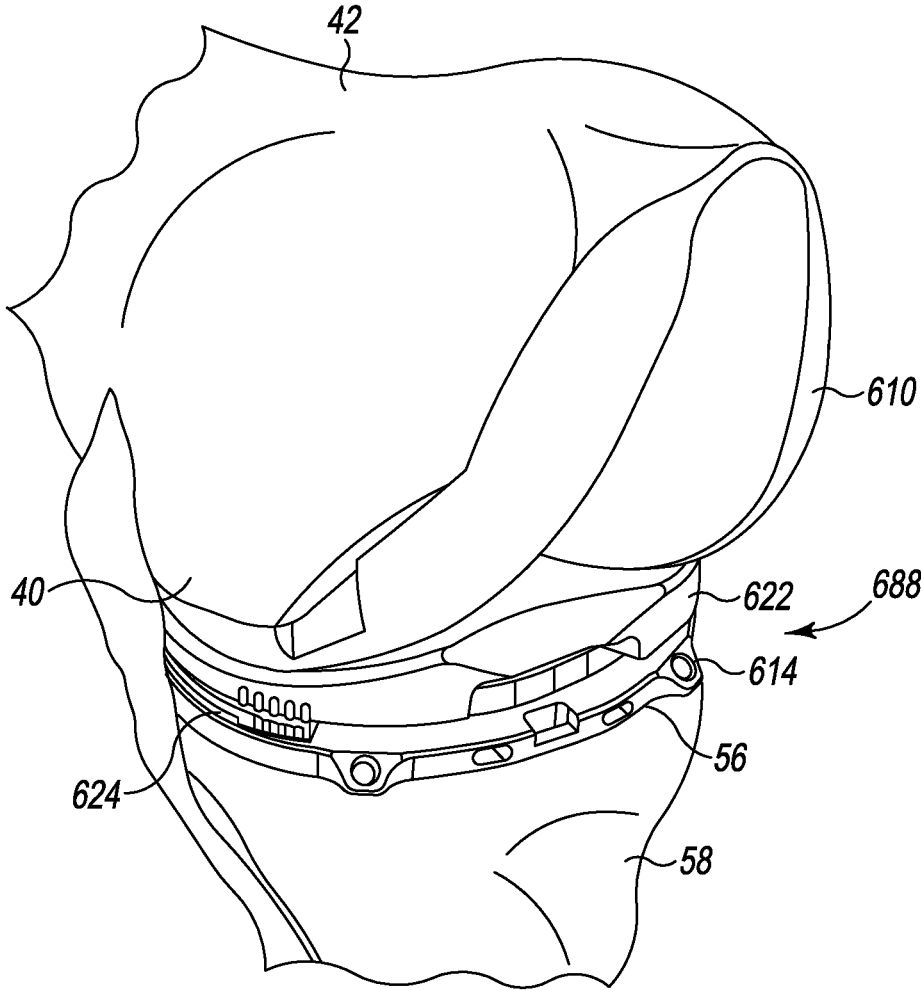


Fig. 17

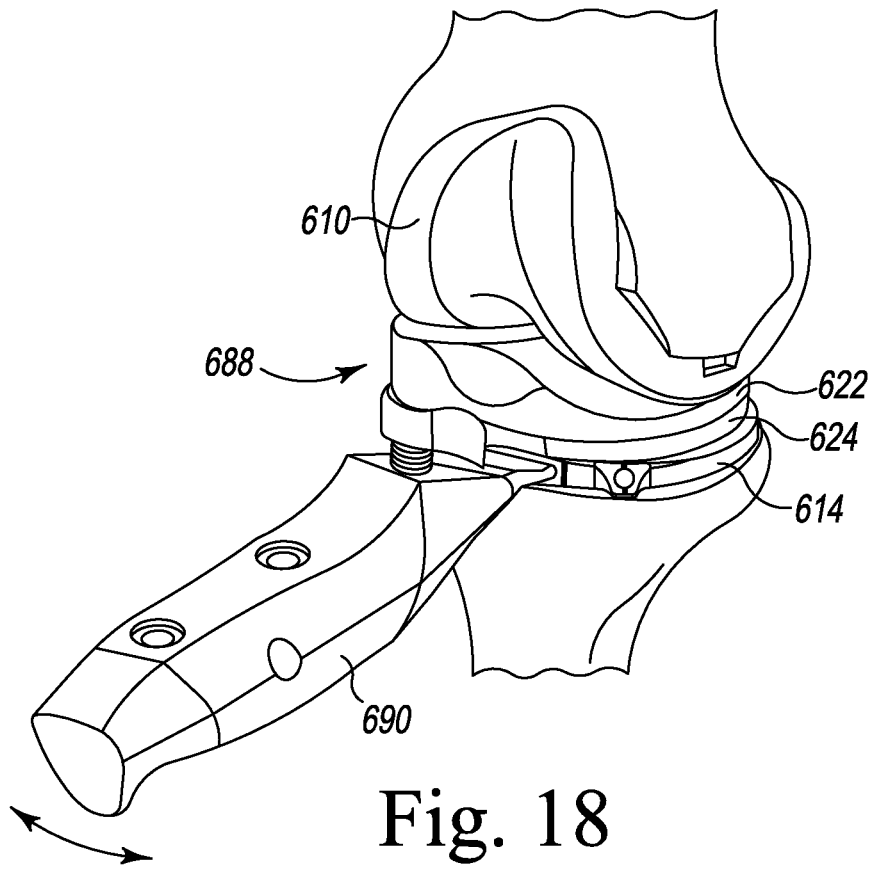


Fig. 18

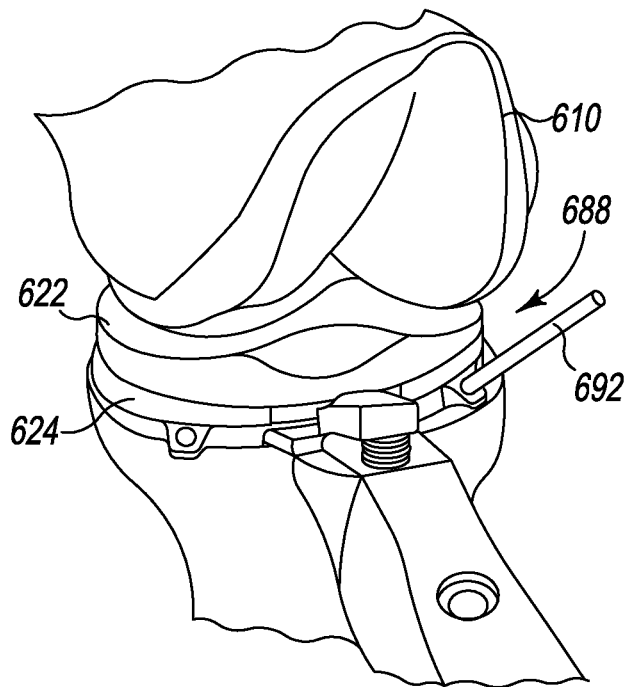


Fig. 19

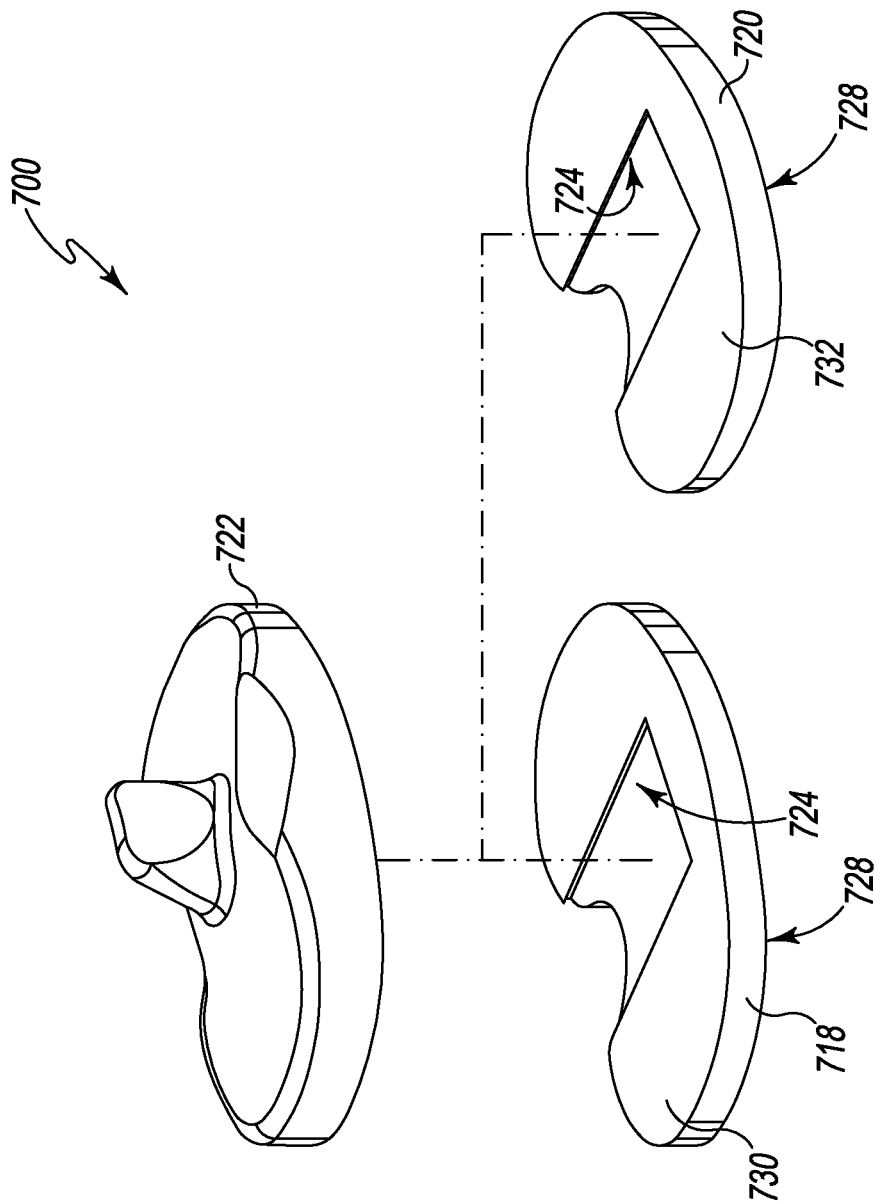


Fig. 20

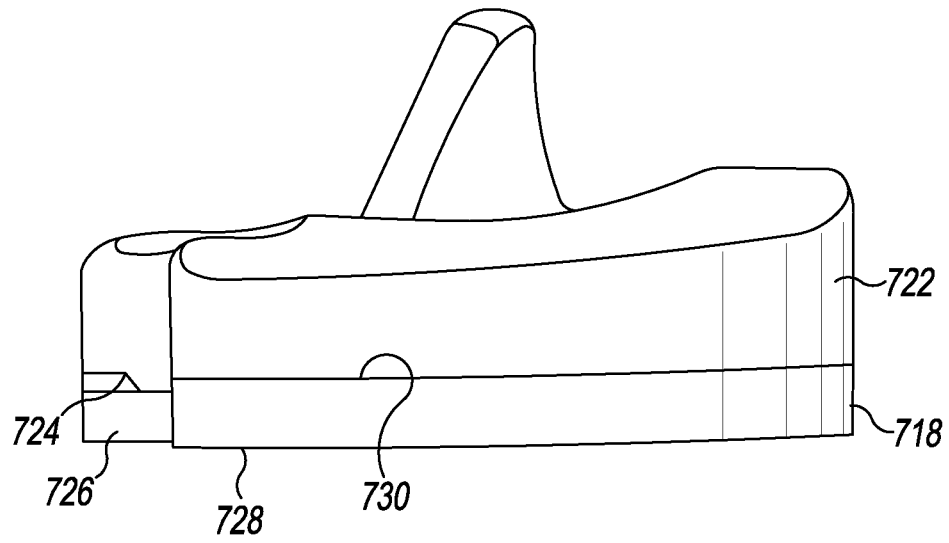


Fig. 21

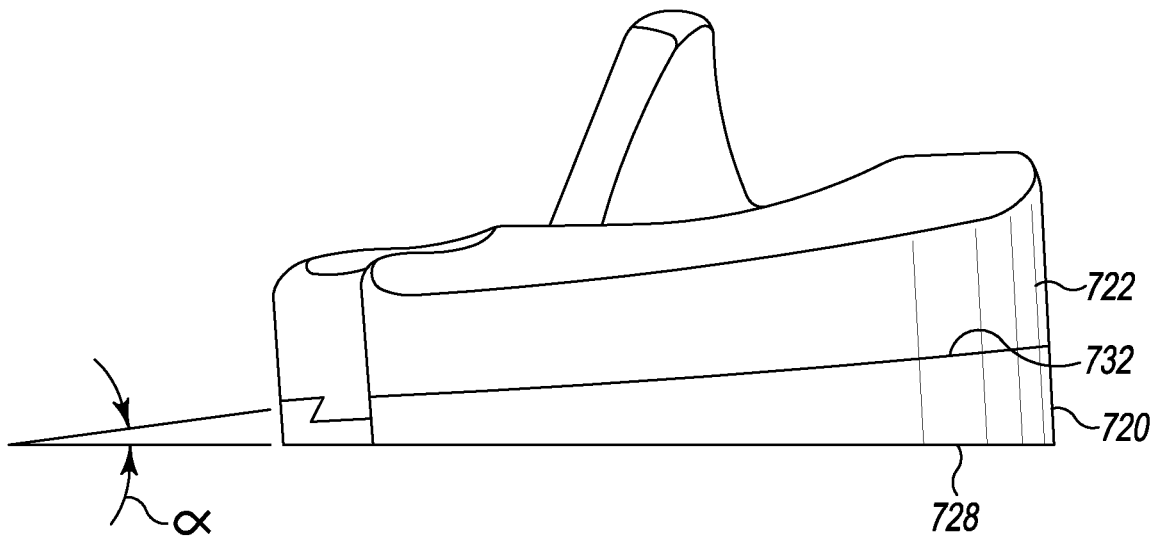


Fig. 22

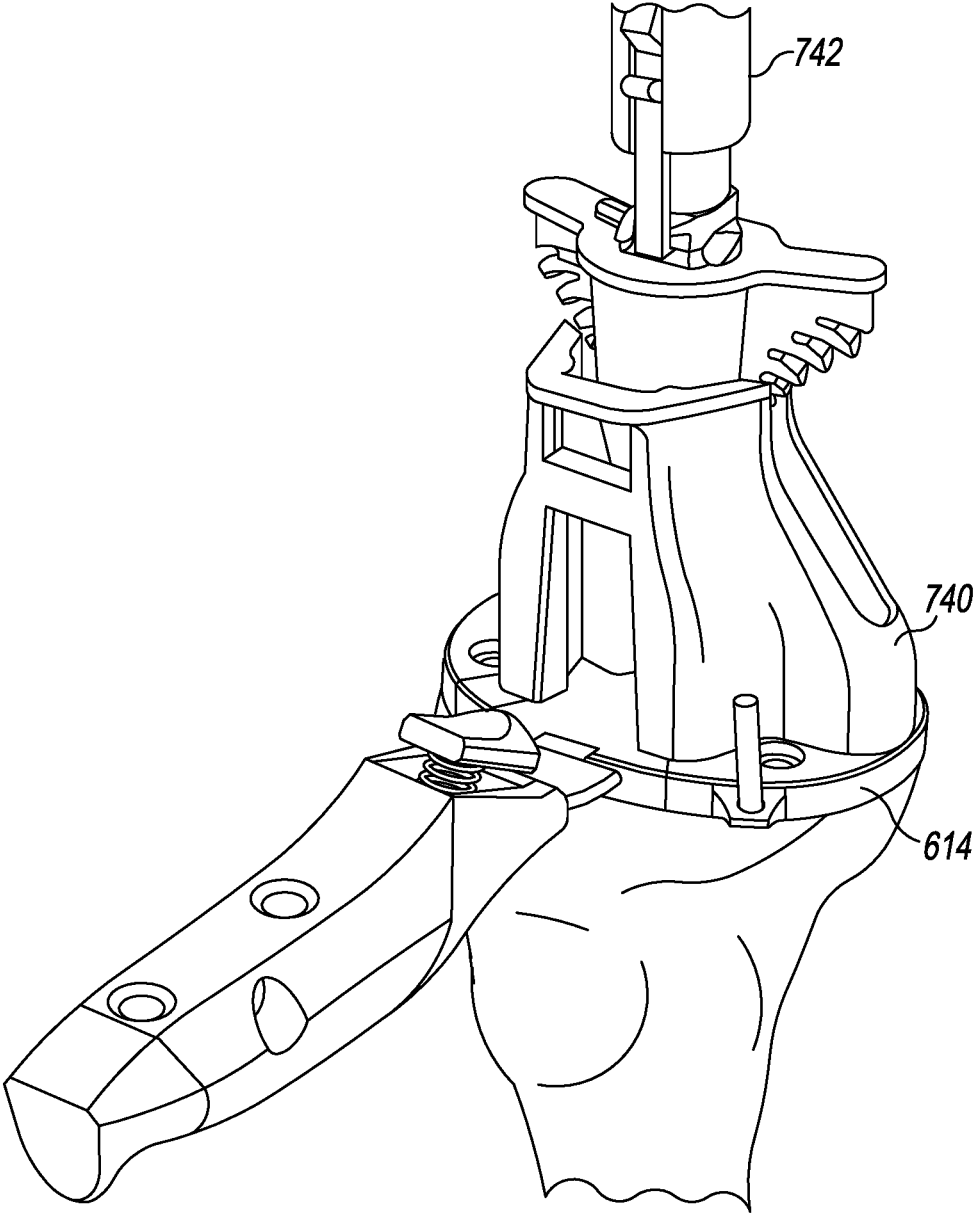


Fig. 23

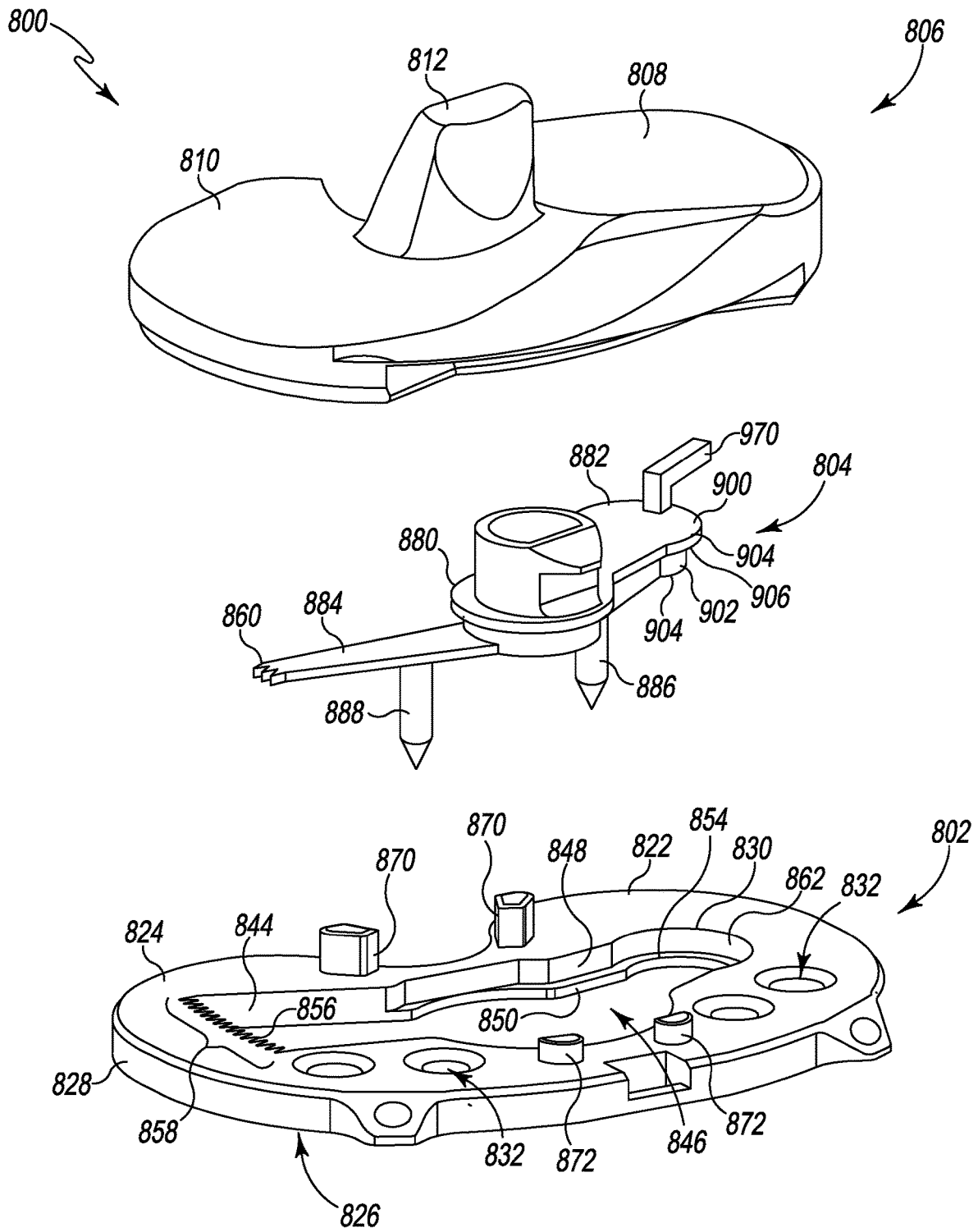


Fig. 24

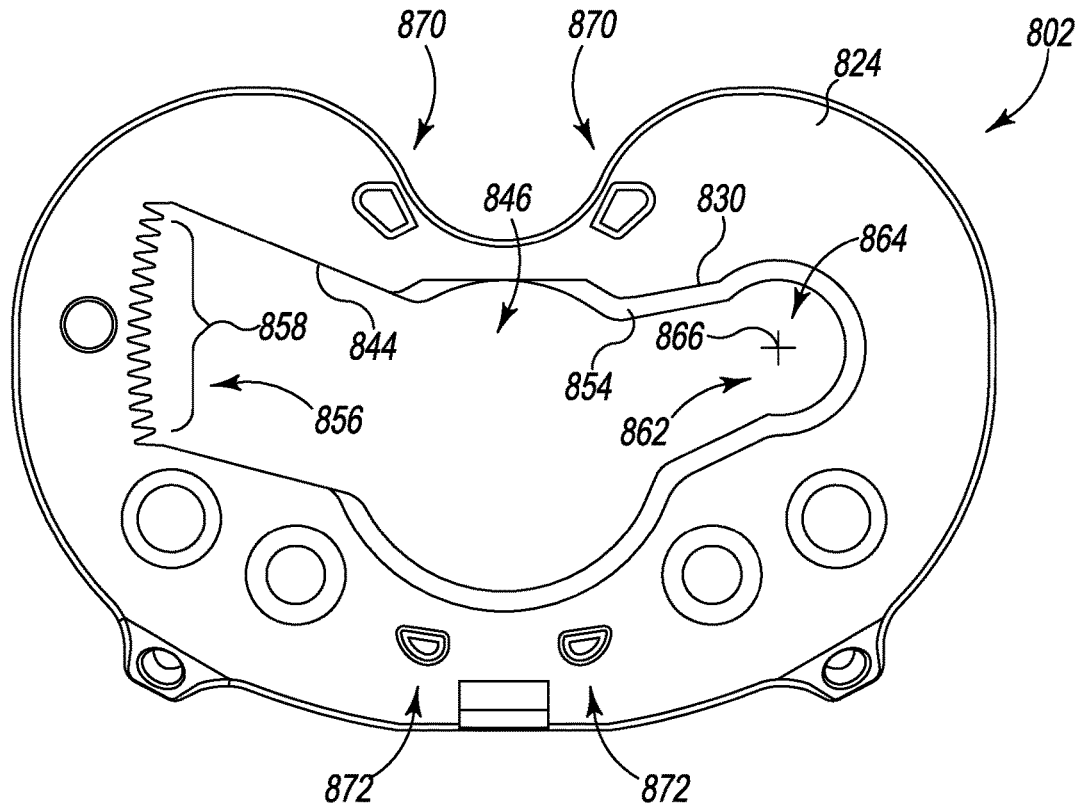


Fig. 25

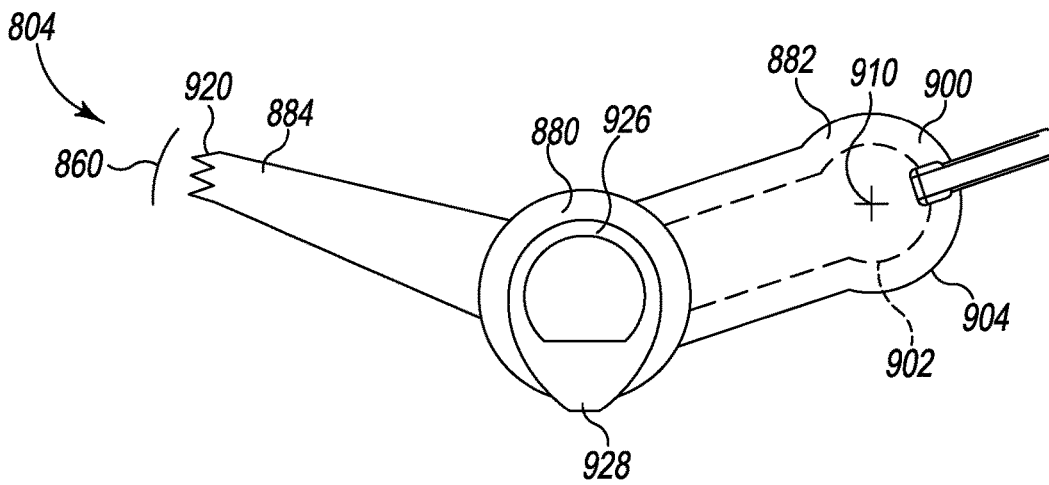


Fig. 26



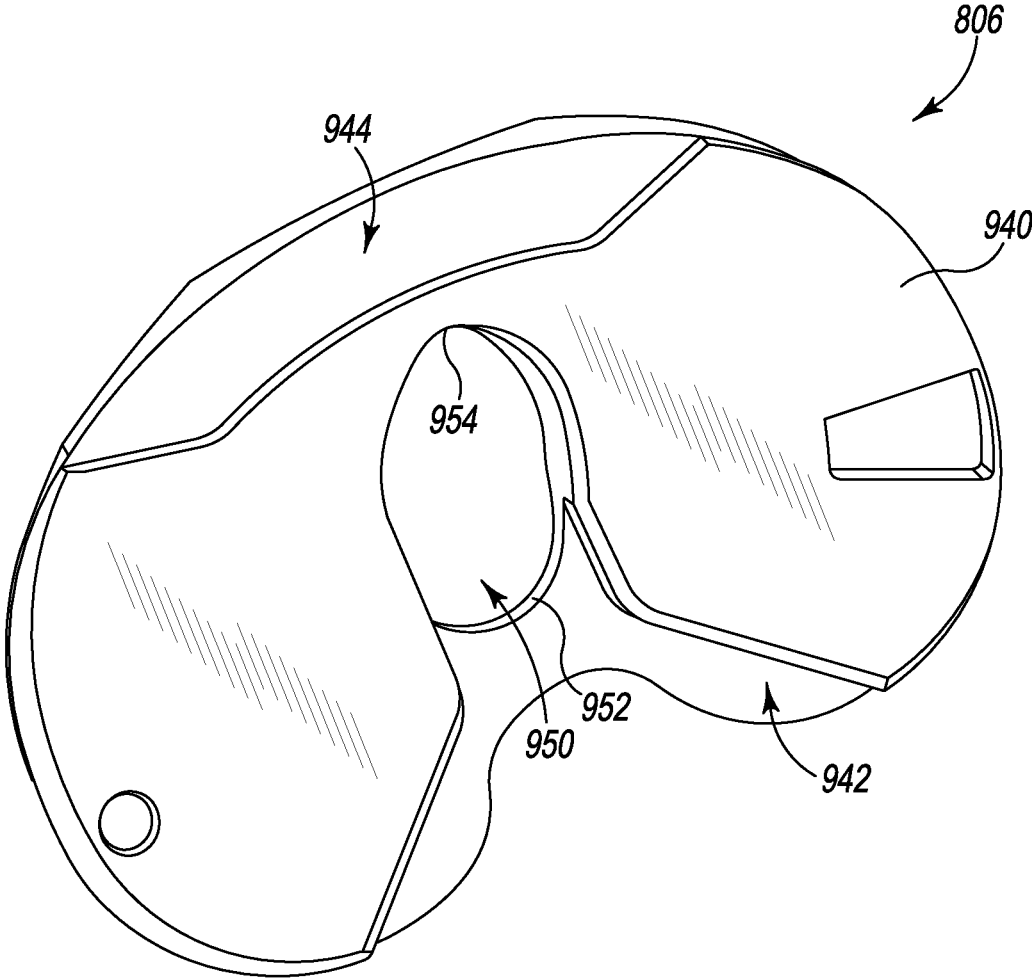


Fig. 27

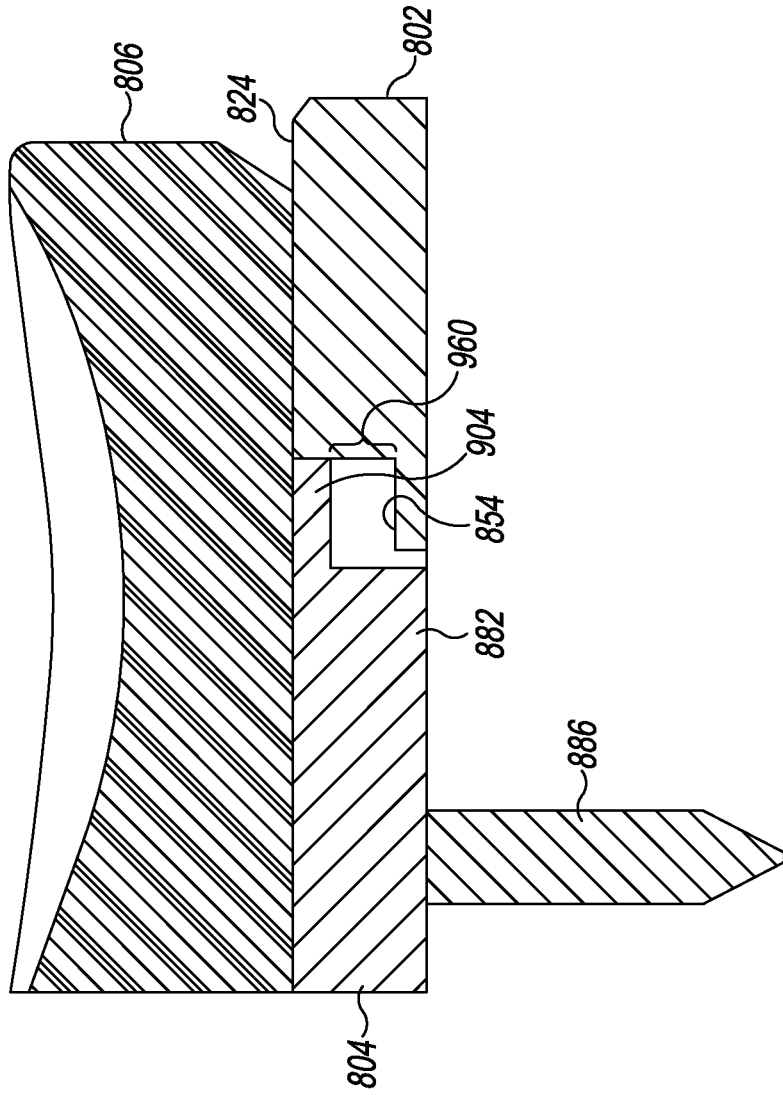


Fig. 28

## ORTHOPAEDIC KNEE PROSTHESIS SYSTEM AND METHODS FOR USING SAME

This application claims priority under 35 U.S.C. § 119 to U.S. Provisional Patent Application Ser. No. 62/898,256, which was filed on Sep. 10, 2019 and is hereby incorporated herein by reference.

### TECHNICAL FIELD

The present disclosure relates to orthopaedic knee prosthesis systems and, more specifically, to orthopaedic knee prostheses, instrumentation, and methods for total knee arthroplasty procedures.

### BACKGROUND

The knee is the largest joint in the body. Normal knee function is required to perform most everyday activities. The knee is made up of the lower or distal end of the femur, which rotates on the upper or proximal end of the tibia, and the patella, which slides in a groove on the end of the femur. Large ligaments attach to the femur and tibia to provide stability as the knee moves between extension and flexion. The long thigh muscles give the knee strength and produces knee motion.

The joint surfaces where these three bones touch are covered with articular cartilage, a smooth substance that cushions the bones and enables them to move easily. The condition of this cartilage on the knee joint is a key aspect of normal knee function and is important to the physician when evaluating a potential need for a knee joint replacement.

All remaining surfaces of the knee are covered by a thin, smooth tissue liner called the synovial membrane. This membrane releases a special fluid that lubricates the knee, reducing friction to nearly zero in a healthy knee.

Normally, all of these components work in harmony. But disease or injury can disrupt this harmony, resulting in pain, muscle weakness, and reduced function.

In addition to the smooth cartilage lining on the joint surfaces, there are two smooth discs of cartilage that cushion the space between the bone ends. The inner disc is called the medial meniscus, while the disc on the outer side of the knee joint is called the lateral meniscus. The role of the menisci is to increase the conformity of the joint between the femur and the tibia. The menisci also play an important function as joint shock absorbers by distributing weight-bearing forces, and in reducing friction between the joint segments.

There are also four major ligaments that play an important part in stability of the knee joint. The Medial Collateral Ligament (MCL) and the Lateral Collateral Ligament (LCL) are located on opposing sides on the outside of the joint. The Anterior Cruciate Ligament (ACL) and the Posterior Cruciate Ligament (PCL) are more centrally located ligaments within the joint. The ACL attaches to the knee end of the femur, at the back of the joint and passes down through the knee joint to the front of the flat upper surface of the tibia. The ACL contacts the femur on the inner lateral condyle. When disrupted, this allows for laxity to occur on the lateral side of the knee. The ACL passes across the knee joint in a diagonal direction, with the PCL passing in the opposite direction, forming a cross shape, hence the name cruciate ligaments. As the knee moves from flexion into full extension, the tibia rotates relative to the femur and the cruciate ligaments tighten to lock the knee and provide greater

stability. This rotation of the tibia relative to the femur has been referred to as a “screw-home” mechanism.

Total knee replacement (TKR), also referred to as total knee arthroplasty (TKA), is a surgical procedure where worn, diseased, or damaged surfaces of a knee joint are removed and replaced with artificial surfaces. Materials used for resurfacing of the joint are not only strong and durable but also optimal for joint function as they produce as little friction as possible.

The “artificial joint or prosthesis” generally has three components: (1) a distal femoral component usually made of a biocompatible material such as metal alloys of cobalt-chrome or titanium; (2) a proximal tibial component also made of cobalt chrome or titanium alloy; and (3) a bearing component disposed between the two components, usually formed of a plastic material like polyethylene. In some cases, the proximal tibial component and the bearing component are combined into a single, monolithic component.

In total knee arthroplasty (TKA), there are a number of types of techniques with associated implants. The first main type is the posterior cruciate retaining (CR) total knee arthroplasty, where the surgeon retains the posterior cruciate ligament and sacrifices the anterior cruciate ligament. The second main type is the posterior stabilizing (PS) total knee arthroplasty, where the surgeon sacrifices both the anterior cruciate ligament (ACL) and the posterior cruciate ligament (PCL), and the implant prevents the tibia from shifting into an excessively posterior position relative to the femur during, for example, weight bearing activities. With a PS TKA, posterior stabilization is introduced into the TKA by using a cam/post mechanism. The third main type is the posterior cruciate sacrificing (PCS) TKA where the surgeon sacrifices both the ACL and the PCL but does not use a cam/post mechanism for posterior stabilization. Rather, this TKA type uses constraint in the polyethylene to stabilize the antero-posterior movement.

Any of the above three main types of TKA implant can have a fixed bearing (FB) design or a mobile bearing (MB) design. With the fixed bearing design, the polymer insert is either compression molded directly onto the tibial tray or fixed in the tibial tray using a locking mechanism. In a mobile bearing design, the polymer insert is free to either rotate, translate or both rotate and translate.

Although the ACL is sacrificed during the installation of a total knee arthroplasty system, doing so can have a negative clinical impact for some patients. The role of the ACL is to pull the femur in the anterior direction at terminal (full) extension, near full extension, and in early flexion. The ACL, attached to the lateral condyle of the femur, also works as a tether and keeps the lateral condyle in contact with the lateral meniscus. The PCL pulls the femur in the posterior direction with increasing flexion. The PCL also acts as a tether on the medial condyle of the femur, keeping the medial condyle in contact with the medial meniscus. Together these two ligaments provide the appropriate balance of translational/rotational stability and motion in the knee joint, especially in contact sports and those that involve fast changes in direction and twisting and pivoting movements.

Another type of total knee arthroplasty and associated implants seek to provide anterior stabilization in the absence of a surgically removed ACL and, in some cases, the PCL. One example of an anterior stabilized implant is an implant that is structured to prevent the tibia from shifting into an excessively anterior position relative to the femur during, for example, weight bearing activities. Some examples of this type of TKA, which is sometimes called ACL Substituting

TKA (ASTKA), and their associated implants, are shown and described in U.S. Pat. Nos. 10,179,052 and 9,962,264, which are expressly incorporated herein by reference.

### SUMMARY

According to one aspect of the disclosure, an orthopaedic prosthetic system is disclosed. The system includes femoral and tibial components configured to be used in a number of different implanted configurations.

According to another aspect, the orthopaedic prosthetic system includes instrumentation configured to facilitate preparation of the bones and selection of the implant configuration.

According to another aspect, a method of using the orthopaedic prosthetic system is also disclosed.

According to another aspect, an orthopaedic prosthesis system may include a femoral component, a tibial tray component and a plurality of tibial insert components. The femoral component may be configured to be coupled to a distal end of a patient's femur and may include a pair of condyles and a notch extending from an open posterior end that is defined between the pair of condyles. The tibial tray component may be configured to be coupled to a proximal end of a patient's tibia. Each of the plurality of tibial insert components may be configured to be separately attached to the tibial tray component and may each include an anterior end, a posterior end, and medial and lateral concave surfaces shaped to engage the condyles of the femoral component.

In some embodiments, the plurality of tibial insert components includes a first tibial insert component and a second tibial insert component. Additionally, an anterior-posterior dimension may be defined between the anterior end and the posterior end of each of the plurality of tibial insert components, and the anterior-posterior dimension of the first tibial insert component may be substantially equal to the anterior-posterior dimension of the second tibial insert component. Additionally, the medial concave surface of the first tibial insert component may have a distal-most point positioned a first distance from the posterior end of the first tibial insert component when the first tibial insert component is viewed in a first sagittal plane. Further, the medial concave surface of the second tibial insert component may have a distal-most point positioned a second distance from the posterior end of the second tibial insert component when the second tibial insert component is viewed in a second sagittal plane, the second distance being greater than the first distance.

In some embodiments, the femoral component may be a first femoral component of a plurality of femoral components and each femoral component may have a different configuration from the other femoral components of the plurality of femoral components. For example, the different configuration of each femoral component may include at least one of size and shape. Additionally, in some embodiments, at least one condyle of the pair of condyles of the femoral component may include an arcuate surface having a curved section that is defined by a continually decreasing radius of curvature when the femoral component is viewed in a third sagittal plane.

In some embodiments, the plurality of femoral components may include a second femoral component including a pair of condyles, a notch extending from an open posterior end that is defined between the pair of condyles, and a cam positioned adjacent an anterior end of the notch. In such embodiments, the plurality of tibial insert components may include a third tibial insert component having a post posi-

tioned between the medial and lateral concave surfaces, the medial concave surface of the third tibial insert component may have a distal-most point positioned a third distance from the posterior end of the third tibial insert component when the third tibial insert component is viewed in a third sagittal plane, and the third distance of the third tibial insert component may be less than the second distance of the second tibial insert component. The second femoral component may be configured to rotate relative to the third tibial component between a full extension position and a full flexion position, and the cam and the post are sized, shaped, and positioned so that the cam engages the post when the femoral component is in the full extension position. Additionally, in such embodiments, the anterior-posterior dimension of the third tibial insert component may be substantially equal to the anterior-posterior dimension of the second tibial insert component.

Additionally, in some embodiments, the medial concave surface of each tibial insert component may have an anterior edge. A first height may be defined between the anterior edge and the distal-most point of the medial concave surface of the first tibial insert component when the first tibial insert component is viewed in the first sagittal plane. And, a second height may be defined between the anterior edge and the distal-most point of the medial concave surface of the second tibial insert component when the second tibial insert component is viewed in the second sagittal plane, the second height being less than the first height. Additionally, in some embodiments, the medial concave surface of each tibial insert component may have a posterior edge. A third height may be defined between the posterior edge and the distal-most point of the first tibial insert component when the first tibial insert component is viewed in the first sagittal plane. And, a fourth height may be defined between the posterior edge and the distal-most point of the second tibial insert component when the second tibial insert component is viewed in the second sagittal plane, the fourth height being equal to the third height.

In some embodiments, the medial concave surface of each tibial insert component may have a plurality of radii of curvature. The plurality of radii of curvature of the first tibial insert component may include a first anterior radius of curvature when the first tibial insert component is viewed in the first sagittal plane. And, the plurality of radii of curvature of the second tibial insert component may include a second anterior radius of curvature when the second tibial insert component is viewed in the second sagittal plane. In such embodiments, the second anterior radius of curvature may be greater than the first anterior radius of curvature.

Additionally, in some embodiments, the tibial tray component may include a first portion of a locking mechanism configured to separately secure each of the plurality of tibial insert components to the tibial tray component in place of the other tibial insert components to form a single tibial component. In such embodiments, each tibial insert component may include a second portion of the locking mechanism. Additionally, in some embodiments, the medial concave surface and the lateral concave surface of the first tibial insert component may be asymmetrical, and the medial concave surface and the lateral concave surface of the second tibial insert component may be symmetrical.

According to yet another aspect, a tibial insert component may include a medial concave surface and a lateral concave surface. The medial concave surface may be shaped to engage a medial condyle of a femoral component. The lateral concave surface may be shaped to engage a lateral condyle of the femoral component and wherein the lateral

5

concave surface extends from an anterior edge to a posterior edge. The medial and lateral concave surfaces may be asymmetric relative to each other, and the lateral concave surface may include a distal-most section that defines a straight line when the tibial insert component is viewed in a first sagittal plane.

In some embodiments, the tibial insert component may further include an anterior end and a posterior end. In such embodiments, an anterior-posterior dimension of the tibial insert component may be defined between the anterior end and the posterior end, and the medial concave surface includes a distal-most point that is positioned, relative to the posterior end, a percentage of the anterior-posterior dimension in the range of 33% to 39%.

Additionally, in some embodiments, the medial concave surface includes a distal-most point. A first height may be defined between an anterior edge of the medial concave surface and the distal-most point of the medial concave surface when the tibial insert component is viewed in a second sagittal plane. A second height may be defined between an anterior edge of the lateral concave surface and the distal-most section of the lateral concave surface when the tibial insert component is viewed in the first sagittal plane.

According to another aspect, a method for performing an orthopaedic surgical procedure on a knee joint of a patient may include resecting a tibia and a femur of the knee joint of the patient and attaching a tibial tray component to a resected proximal surface of the tibia of the knee joint of the patient. The tibial tray component may include a first portion of a locking mechanism. The method may also include selecting a tibial insert component from a plurality of tibial insert components. Each tibial insert component of the plurality of tibial insert components may be configured to be separately attached to the tibial tray component and may include a second portion of the locking mechanism to secure the corresponding tibial insert component to the tibial tray component. The plurality of tibial insert components may include a first tibial insert component and a second tibial insert component.

The method may further include attaching the selected tibial insert component to the tibial tray component, which may include coupling the first portion of the locking mechanism to the second portion of the locking mechanism to secure the selected tibial insert component to the tibial base. Each of the first and second tibial insert components may include a medial concave surface shaped to engage a medial condyle of a femoral component and a lateral concave surface shaped to engage a lateral condyle of the femoral component. The medial and lateral concave surfaces of the first tibial insert component may be asymmetrical relative to each other and the medial and lateral concave surfaces of the second tibial insert component may be symmetrical relative to each other.

In some embodiments, selecting the tibial insert component may include selecting either the first tibial insert component or the second tibial insert component. Additionally or alternatively, selecting the tibial insert component from a plurality of tibial insert components may include selecting a tibial insert component from a plurality of tibial insert components.

Additionally, in some embodiments, each of the first and second tibial insert components includes an anterior end and a posterior end. The medial concave surface of the first tibial insert component may include a distal-most point positioned a first distance from the posterior end of the first tibial insert component when the first tibial insert component is viewed

6

in a first sagittal plane. Additionally, the medial concave surface of the second tibial insert component may include a distal-most point positioned a second distance from the posterior end of the second tibial insert component when the second tibial insert component is viewed in a second sagittal plane, the second distance being greater than the first distance.

In some embodiments, the medial concave surface of each tibial insert component has an anterior edge. A first height may be defined between the anterior edge and the distal-most point of the medial concave surface of the first tibial insert component when the first tibial insert component is viewed in the first sagittal plane. A second height may be defined between the anterior edge and the distal-most point of the medial concave surface of the second tibial insert component when the second tibial insert component is viewed in the second sagittal plane, the second height being less than the first height.

Additionally, in some embodiments, selecting the tibial insert component from the plurality of tibial insert components may include selecting a third tibial insert component from the plurality of tibial insert components. In such embodiments, the third tibial insert component may include a medial concave surface shaped to engage the medial condyle of the femoral component, a lateral concave surface shaped to engage the lateral condyle of the femoral component, and a post positioned between the medial and lateral concave surfaces, wherein the medial and lateral concave surfaces of the third tibial insert are asymmetrical relative to each other.

According to a further aspect, an orthopaedic surgical instrument includes an anterior plate and a distal plate. The anterior plate may be configured to engage an anterior surface of a patient's femur. The distal plate may be attached to, and extend from, the anterior plate to a posterior end. The distal plate may be configured to engage a distal surface of the patient's femur. Additionally, the orthopaedic surgical instrument may further include a notch cutting guide slot defined by a plurality of inner walls. The anterior plate may include a first inner wall of the plurality of inner walls, and the first inner wall may include a distal cutting guide surface configured to guide a resection of a distal portion of an intercondylar notch of the patient's femur to resize the intercondylar notch to receive a cam of a femoral component. The plurality of inner walls may also include a second inner wall having a posterior cutting guide surface configured to guide a resection of a posterior portion of the intercondylar notch of the patient's femur. The posterior cutting guide surface may include a first edge and a second edge and may be sloped such that the first edge is positioned more anterior than the second edge to protect a posterior-cruciate ligament (PCL) of the patient during resection.

The orthopaedic surgical instrument may also include an adjustable body configured to move relative to the anterior plate and the distal plate to change the configuration of the notch cutting guide slot. The adjustable body may include the second inner wall. In some embodiments, the adjustable body may include a third inner wall extending in a direction opposite the second inner wall. The third inner wall may have a posterior cutting guide surface configured to guide a resection of a posterior portion of an intercondylar notch of a patient's other femur. The posterior cutting guide surface may include a first edge and a second edge and may be sloped such that the first edge of the third inner wall is positioned more anterior than the second edge of the third inner wall to protect a posterior-cruciate ligament (PCL) connected to the patient's other femur during resection.

Additionally, in some embodiments, the adjustable body may be operable to slide relative to the anterior plate and the distal plate between a first position in which the second inner wall defines a portion of the notch cutting guide slot and a second position in which the third inner wall defines a portion of the notch cutting guide slot. Additionally, the distal plate may include a first passageway and a second passageway positioned opposite the first passageway. In such embodiments, the third inner wall may be sized to be positioned in the first passageway when the adjustable body is in the first position, and the second inner wall may be sized to be positioned in the second passageway when the adjustable body is in the second position.

In some embodiments, the adjustable body includes a first arm extending anteriorly from the second inner wall and a second arm extending proximally from the first arm. The first arm and the second arm may include a medial cutting guide surface configured to guide a resection of a medial side of the intercondylar notch of the patient's femur.

Additionally, in some embodiments, a central axis of the orthopaedic surgical instrument extends in an anterior-posterior direction through the anterior plate when the orthopaedic surgical instrument is viewed in a transverse plane. In such embodiments, the notch cutting guide slot may have a longitudinal axis that extends parallel to the central axis when the orthopaedic surgical instrument is viewed in a transverse plane, the longitudinal axis being laterally offset from the central axis.

According to another aspect, an orthopaedic surgical instrument may include an anterior plate, a distal plate, an elongated slot defined in the anterior plate and the distal plate, and an adjustable body positioned in the elongated slot. The anterior plate may be configured to engage an anterior surface of a patient's femur. The distal plate may be attached to, and extend from, the anterior plate to a posterior end. The distal plate may be configured to engage a distal surface of the patient's femur. The adjustable body may cooperate with the anterior plate and the distal plate to define a notch cutting guide slot in the orthopaedic surgical instrument. Additionally, the adjustable body may be moveable relative to the anterior plate and the distal plate to change the shape of the notch cutting guide slot. For example, the adjustable body may be movably coupled to the distal plate and operable to slide relative to the anterior plate and the distal plate within the elongated slot.

In some embodiments, the adjustable body may include a first posterior arm and a second posterior arm extending in a direction opposite the first posterior arm. In such embodiments, the adjustable body may be moveable between a first position in which the first posterior arm cooperates with the anterior plate and the distal plate to define a first notch cutting guide slot sized and positioned to resect a patient's left femur, and a second position in which the second posterior arm cooperates with the anterior plate and the distal plate to define a second notch cutting guide slot sized and positioned to resect a patient's right femur.

Additionally, in some embodiments, the first posterior arm may have a first posterior cutting guide surface including a first edge and a second edge. The first posterior cutting guide surface may be sloped such that the first edge of the first posterior arm is positioned more anterior than the second edge to protect a posterior-cruciate ligament (PCL) of the patient's left femur when the adjustable body is positioned in the first position. Similarly, the second posterior arm may have a second posterior cutting guide surface including a third edge and a fourth edge. The second posterior cutting guide surface may be sloped such that the

third edge of the second posterior arm is positioned more anterior than the fourth edge to protect a posterior-cruciate ligament (PCL) of the patient's right femur when the adjustable body is positioned in the second position.

According to yet another aspect, a method for performing an orthopaedic surgical procedure on a patient may include resecting a distal end of a femur of the patient to form a planar distal surface on the femur and adjusting an adjustable body of a cutting guide block based on whether the femur is a left femur of the patient or a right femur of the patient. The adjustable body may cooperate with an anterior plate and a distal plate of the cutting guide block to define an intercondylar notch cutting guide slot. The method may also include attaching the cutting guide block to the planar distal surface of the femur and resecting a posterior portion of an intercondylar notch of the femur using the intercondylar notch guiding guide slot of the cutting guide block to resize the intercondylar notch to receive a cam of a femoral component.

In some embodiments, adjusting the adjustable body may include sliding the adjustable body along a rod received in the distal plate. Additionally, sliding the adjustable body may include inserting an inner wall of the adjustable body into a passageway formed in the distal plate.

Additionally, in some embodiments, resecting the posterior portion of the intercondylar notch of the femur may include resecting the posterior portion of the intercondylar notch of the femur using an inner wall of the anterior plate of the cutting guide block as a distal cutting guide surface and an inner wall of the adjustable body as a posterior cutting guide surface. In such embodiments, the posterior cutting guide surface is sloped from a first edge to a second edge such that the first edge is positioned more anterior than the second edge. Additionally or alternatively, resecting the posterior portion of the intercondylar notch of the femur may include viewing a portion of the femur through a view port defined in the anterior plate of the cutting guide block while resecting the femur.

In some embodiments, adjusting the adjustable body of the cutting guide block may include moving the adjustable body to a first position. In such embodiments, the method may also include removing, after resecting the posterior portion of the intercondylar notch of the femur, the cutting guide block from the femur; moving the adjustable body of the cutting guide block to a second position different from the first position; attaching the cutting guide block to the other femur of the left or right femur of the patient; and resecting a posterior portion of an intercondylar notch of the other femur using the intercondylar notch guiding guide slot of the cutting guide block. In such embodiments, moving the adjustable body of the cutting guide block to the second position may include sliding the adjustable body along a rod received in the distal plate from the first position to the second position.

Additionally, in some embodiments, the cutting guide block may include a first cutting guide block. In such embodiments, the method may further include resecting a distal end of the other femur of the left or right femur of the patient to form a planar distal surface on the other femur; adjusting an adjustable body of a second cutting guide block based on whether the other femur is the left or right femur of the patient, wherein the adjustable body cooperates with an anterior plate and a distal plate of the second cutting guide block to define an intercondylar notch cutting guide slot; attaching the second cutting guide block to the planar distal surface of the other femur; and resecting a posterior

portion of an intercondylar notch of the other femur using the intercondylar notch guiding guide slot of the second cutting guide block.

In some embodiments, adjusting the adjustable body of the first cutting guide block may include sliding the adjustable body of the first cutting guide block along a rod received in the distal plate of the first cutting guide block to a first position relative to the distal plate of the first cutting guide block. In such embodiments, adjusting the adjustable body of the second cutting guide block may include sliding the adjustable body of the second cutting guide block along a rod received in the distal plate of the second cutting guide block to a second position, wherein the second position is different from the first position relative to the distal plate of the corresponding first and second cutting guide blocks.

According to yet a further aspect, an orthopaedic surgical instrument system may include a tibial tray trial component, a fixation pin, and a tibial insert trial component. The tibial tray trial component may be shaped to be positioned on a proximal end of a patient's tibia. The fixation pin may be coupled to the tibial tray trial component. Additionally, the fixation pin may be configured to engage the proximal end of the patient's tibia and define a pivot axis of the tibial tray trial component relative to the proximal end of the patient's tibia. The tibial insert trial component may be removably attachable to the tibial tray trial component. The tibial insert trial component may also include medial and lateral concave surfaces shaped to engage a femoral component. The medial concave surface may have a distal-most point that is substantially positioned on the pivot axis defined by the fixation pin when the tibial insert trial component is attached to the tibial tray trial component.

In some embodiments, the tibial insert trial component may further include a post positioned between the medial and lateral concave surfaces. The post may include an anterior surface configured to be engaged by the femoral component.

Additionally, in some embodiments, the tibial tray trial component may include a tibial base trial component having a central passageway and an evaluation component shaped to be substantially positioned in the central passageway, and the fixation pin is coupled to the evaluation component. In such embodiments, the fixation pin may extend through a through-hole of the evaluation component. For example, the fixation pin may be removable from the through-hole of the evaluation component. Alternatively, in other embodiments, the fixation pin may be attached to, and extends distally from, a distal surface of the evaluation component.

In some embodiments, the tibial base trial component may be configured to pivot relative to the evaluation component about the pivot axis. In such embodiments, the fixation pin may be a first fixation pin coupled at a medial end of the evaluation component, and the orthopaedic surgical instrument system may further include a second fixation pin coupled at a lateral end of the evaluation component to prevent rotation of the evaluation component relative to the proximal end of the patient's tibia.

According to another aspect, a method for performing an orthopaedic surgical procedure on a patient may include positioning a tibial tray trial component on a resected proximal end of the patient's tibia and securing the tibial tray trial component to the patient's tibia using a fixation pin. The fixation pin may define a pivot axis of the tibial tray trial component relative to the proximal end of the patient's tibia when the fixation pin is engaged in the proximal end of the patient's tibia. The method may also include attaching a

tibial insert trial component to the tibial tray trial component. The tibial insert trial component and the tibial tray trial component may form a tibial trial construct when attached to each other. Additionally, the tibial insert trial component may include a medial and lateral surfaces shaped to engage a femoral component. The method may also include rotating the tibial trial construct about the pivot axis defined by the fixation pin to locate a rotation position of the tibial trial construct relative to the proximal end of the patient's tibia.

In some embodiments, rotating the tibial trial construct may include rotating the tibial trial construct about the pivot axis to a desired rotation position. In such embodiments, the method may further include securing the tibial trial construct in the desired rotation position using a second fixation pin.

Additionally, in some embodiments, positioning the tibial tray trial component may include positioning a tibial base trial component on the resected proximal end of the patient's tibia. And, the tibial base trial component may include a central passageway. In such embodiments, positioning the tibial tray trial component may also include inserting at least a portion of an evaluation component into the central passageway of the tibial base trial component. Additionally, in such embodiments, securing the tibial tray trial component may include inserting the fixation pin through a through-hole of the evaluation component into the patient's tibia. Alternatively, in some embodiments, the evaluation component may include the fixation pin and, in such embodiment, securing the tibial tray trial component may include inserting the evaluation component into the central passageway of the tibial base trial component to cause the fixation pin of the evaluation component to engage the proximal end of the patient's tibia.

Additionally, in some embodiments, the method may further include coupling a shim to a bottom side of the tibial insert trial component. The shim and the tibial insert trial component may form a tibial bearing trial component when attached to each other. In such embodiments, attaching the tibial insert trial component may include attaching the tibial bearing trial component to the tibial tray trial component.

In some embodiments, the method may further include attaching a handle to an anterior side of the tibial tray trial component. In such embodiments, rotating the tibial trial construct may include rotating the tibial trial construct about the pivot axis using the handle.

Additionally, in some embodiments, the tibial insert trial component may further include a post positioned between the medial and lateral concave surfaces, the post including an anterior surface configured to be engaged by the femoral component.

According to another aspect, a method for performing an orthopaedic surgical procedure on a knee joint of a patient may include resecting a distal end of a femur of the knee joint of the patient to form a planar distal surface on the femur, resecting a proximal end of a tibia of the knee joint of the patient to form a planar proximal surface on the tibia, and adjusting an adjustable body of a notch cutting guide block based on whether the femur is a left femur of the patient or a right femur of the patient. The adjustable body may cooperate with an anterior plate and a distal plate of the notch cutting guide block to define an intercondylar notch cutting guide slot.

The method may also include attaching the notch cutting guide block to the planar distal surface of the femur and resecting a posterior portion of an intercondylar notch of the femur using the intercondylar notch guiding guide slot of the notch cutting guide block to resize the intercondylar notch to receive a cam of a femoral component. The method may

further include positioning a tibial tray trial component on the planar proximal surface of the tibia and securing the tibial tray trial component to the planar proximal surface of the tibia using a fixation pin. The fixation pin may define a pivot axis of the tibial tray trial component relative to the planar proximal surface of the tibia when the fixation pin is engaged in the planar proximal surface of the tibia.

The method may also include attaching a tibial insert trial component to the tibial tray trial component. The tibial insert trial component and the tibial tray trial component form a tibial trial construct when attached to each other. The tibial insert trial component may include medial and lateral concave surfaces shaped to engage corresponding condyles of the femoral component and a post positioned between the medial and lateral concave surfaces. The post may include an anterior surface configured to be engaged by the cam of the femoral component. The method may also include rotating the tibial trial construct about the pivot axis defined by the fixation pin to locate a rotation position of the tibial trial construct relative to the proximal end of the patient's tibia.

In some embodiments, the method may also include setting a tibial slope of the tibia of the patient. In such embodiments, setting the tibial slope of the tibia of the patient may include attaching a shim to a tibial surface trial component. The shim may include a proximal surface and a distal surface. The proximal surface may be angled relative to the distal surface to provide an amount of slop to the tibial surface trial component when attached to the shim. The method may further include resecting the tibia to form a slope on the tibia based on an angle defined between the proximal surface and the distal surface of the shim. In some embodiments, the angle defined between the proximal surface and the distal surface of the shim may be in the range of  $-5$  degrees to  $10$  degrees.

According to yet a further aspect, an orthopaedic surgical instrument system may include a tibial base trial component, an evaluation component, and a tibial insert trial component. The tibial base trial component may be shaped to be positioned on a proximal end of a patient's tibia. The tibial base trial component may also include a first portion of a locking mechanism. The evaluation component may be configured to be coupled to the tibial base trial component and may include a second portion of the locking mechanism. The tibial insert trial component may be configured to be attached to the tibial base trial component to prevent relative rotation of the tibial insert trial component and the tibial base trial component. The first portion of the locking mechanism may be movable from a locked position in which the tibial insert trial component and the tibial base trial component are prevented from rotating relative to the evaluation component to an unlocked position in which the tibial insert trial component and the tibial base trial component are rotatable relative to the evaluation component.

In some embodiments, the first portion of the locking mechanism may include a first plurality of teeth and the second portion of the locking mechanism may include a second plurality of teeth. The first plurality of teeth may be interdigitated with the second plurality of teeth when the first portion of the locking mechanism is in the locked position to prevent rotation of the tibial insert trial component and the tibial base trial component relative to the evaluation component. Additionally, in some embodiments, the first plurality of teeth are disengaged with the second plurality of teeth when the first portion of the locking mechanism is in the unlocked position to permit rotation of the tibial insert trial component and the tibial base trial

component relative to the evaluation component. In some embodiments, the first portion of the locking mechanism may be movable to one of a plurality of different locked positions. In such embodiments, when in each locked position, the first plurality of teeth are interdigitated with the second plurality of teeth to prevent rotation of the tibial insert trial component and the tibial base trial component relative to the evaluation component.

Additionally, in some embodiments, the tibial base trial component may be movable in an inferior-superior direction relative to the proximal end of the patient's tibia to move the first portion of the locking mechanism between the locked and unlocked position.

In some embodiments, the first portion of the locking mechanism may include a first plurality of teeth and the second portion of the locking mechanism may include a second plurality of teeth. In such embodiments, the tibial base trial component may be movable from an inferior position at which the tibial base trial component is positioned on the proximal end of the patient's tibia and the first plurality of teeth are interdigitated with the second plurality of teeth to a superior position at which the tibial base trial component is positioned above the proximal end of the patient's tibia and the first plurality of teeth are disengaged with the second plurality of teeth. Additionally, in such embodiments, the tibial base trial component, while positioned in the superior position, may be rotatable to a rotated position relative to the proximal end of the patient's tibia and may be further movable back to the inferior position to re-interdigitate the first plurality of teeth with the second plurality of teeth to prevent rotation of the tibial insert trial component and the tibial base trial component relative to the evaluation component when in the rotated position relative to the proximal end of the patient's tibia.

Additionally, in some embodiments, the first portion of the locking mechanism may include a first plurality of teeth and the second portion of the locking mechanism includes a second plurality of teeth. In such embodiments, the first portion of the locking mechanism may be movable (i) from a first locked position in which a first portion of the first plurality of teeth are interdigitated with the second plurality of teeth to prevent rotation of the tibial insert trial component and the tibial base trial component relative to the evaluation component, (ii) to the unlocked position in which the first plurality of teeth are disengaged with the second plurality of teeth to permit rotation of the tibial insert trial component and the tibial base trial component relative to the evaluation component, and (iii) to a second locked position in which a second portion of the first plurality of teeth are interdigitated with the second plurality of teeth to prevent rotation of the tibial insert trial component and the tibial base trial component relative to the evaluation component. The first locked position may be different from the second locked position. In some embodiments, for example, the unlocked position may be a position that is superior of the first and second locked positions, relative to the proximal end of a patient's tibia.

In some embodiments, the tibial base trial component may include a central passageway shaped to receive a portion of the evaluation component, an inferior surface configured to be positioned on the proximal end of a patient's tibia, a superior surface positioned opposite the inferior surface, and a rim surface positioned between the superior surface and the inferior surface within the central passageway. In such embodiments, the evaluation component may include a medial arm that extends to the medial end. The medial arm may include a flange surface that is



configured to engage the rim surface of the tibial base trial component to limit movement of the tibial base trial component in the inferior-superior direction.

Additionally, in some embodiments, the evaluation component may include a central platform, a medial prong that extends outwardly from the central platform, and a lateral prong that extends outwardly from the central platform. In such embodiments, each of the medial and lateral prongs may include a spike configured to engage the proximal end of the patient's tibia when the evaluation component is coupled to the tibial base trial component to prevent rotation of the evaluation component relative to the proximal end of the patient's tibia. Additionally, in such embodiments, the lateral prong may include a lateral tip having a plurality of teeth that define the first portion of the locking mechanism. Additionally or alternatively, the evaluation component may further include a post extending superiorly. In such embodiments, the tibial insert trial component may include a slot shaped to receive the post of the evaluation component when the tibial insert trial component is attached to the tibial base trial component.

According to another aspect, a method for performing an orthopaedic surgical procedure on a patient may include positioning a tibial base trial component on a resected proximal end of a tibia of the patient and coupling an evaluation component to the tibial base trial component. The tibial base trial component may include a first portion of a locking mechanism, and the evaluation component may include a second portion of the locking mechanism. The method may also include attaching a tibial insert trial component to the tibial base trial component to prevent relative rotation of the tibial insert trial component and the tibial base trial component. The method may further include moving the tibial base trial component from an initial position on the resected proximal end of the tibia to a rotated position by moving the first portion of the locking mechanism from a locked position in which the tibial insert trial component and the tibial base trial component are prevented from rotating relative to the evaluation component to an unlocked position in which the tibial insert trial component and the tibial base trial component are rotatable relative to the evaluation component.

In some embodiments, the first portion of the locking mechanism may include a first plurality of teeth and the second portion of the locking mechanism may include a second plurality of teeth. In such embodiments, moving the first portion of the locking mechanism from the locked position to the unlocked position may include moving the first portion of the locking mechanism from the locked position in which the first plurality of teeth are interdigitated with the second plurality of teeth to prevent rotation of the tibial insert trial component and the tibial base trial component relative to the evaluation component to an unlocked position in which the first plurality of teeth are disengaged with the second plurality of teeth to permit rotation of the tibial insert trial component and the tibial base trial component relative to the evaluation component. In such embodiments, the method may further include moving the first portion of the locking mechanism to one of a plurality of different locked positions and, in each locked position of the plurality of locked positions, the first plurality of teeth may be interdigitated with the second plurality of teeth to prevent rotation of the tibial insert trial component and the tibial base trial component relative to the evaluation component.

In some embodiments, moving the tibial base trial component from the initial position to a rotated position may include moving the tibial base trial component in an inferior-

superior direction relative to the resected proximal end of the tibia to move the first portion of the locking mechanism between the locked and unlocked position.

Additionally, in some embodiments, the first portion of the locking mechanism may include a first plurality of teeth and the second portion of the locking mechanism includes a second plurality of teeth. In such embodiments, moving the tibial base trial component from the initial position to a rotated position may include moving the tibial base trial component from an inferior position at which the tibial base trial component is positioned on the resected proximal end of the tibia and the first plurality of teeth are interdigitated with the second plurality of teeth to a superior position at which the tibial base trial component is positioned above the resected proximal end of the tibia and the first plurality of teeth are disengaged with the second plurality of teeth. Additionally, in such embodiments, moving the tibial base trial component from the initial position to a rotated position may further include rotating the tibial base trial component while the tibial base trial component is positioned in the superior position.

In some embodiments, the first portion of the locking mechanism may include a first plurality of teeth and the second portion of the locking mechanism may include a second plurality of teeth. In such embodiments, moving the tibial base trial component from the initial position to a rotated position may include moving the tibial base trial component from (i) a first inferior position at which the tibial base trial component is positioned on the resected proximal end of the tibia and the first plurality of teeth are interdigitated with the second plurality of teeth to prevent rotation of the tibial insert trial component relative to the evaluation component to (ii) to a superior position at which the tibial base trial component is positioned above the resected proximal end of the tibia and the first plurality of teeth are disengaged with the second plurality of teeth to permit rotation of the tibial insert trial component relative to the evaluation component, rotating the tibial base trial component relative to the evaluation component while the tibial base trial component is in the superior position, and moving the tibial base trial component from the superior position to a second inferior position at which the tibial base trial component is positioned on the resected proximal end of the tibia and the first plurality of teeth are interdigitated with the second plurality of teeth to prevent rotation of the tibial insert trial component relative to the evaluation component while in the second inferior position, wherein the second inferior position is different from the first inferior position.

#### BRIEF DESCRIPTION OF THE DRAWINGS

The detailed description particularly refers to the following figures, in which:

FIG. 1 is an exploded perspective view of an orthopaedic prosthesis system;

FIG. 2 is a perspective view of a tibial tray insert component of the system of FIG. 1;

FIG. 3 is a plan view of cruciate retaining tibial tray inserts of the system of FIG. 1;

FIG. 4 is a cross-sectional view showing one of the cruciate retaining tibial tray inserts in a sagittal plane along the line 4-4 in FIG. 3;

FIG. 5 is a cross-sectional view showing one of the cruciate retaining tibial tray inserts in a sagittal plane along the line 5-5 in FIG. 3;

FIG. 6 is an exploded perspective view of an ACL-substituting knee prosthesis;

## 15

FIG. 7 is a cross-sectional view showing one of the tibial tray insert of FIG. 6 in a sagittal plane along the line 7-7 in FIG. 6;

FIG. 8 is a simplified diagram illustrating an orthopaedic surgical method;

FIG. 9 is an exemplary view showing a step of the orthopaedic surgical method of FIG. 8;

FIG. 10 is a perspective view of a cutting guide block for use in the orthopaedic surgical method of FIG. 8;

FIG. 11 includes elevation views showing an adjustable body of the cutting guide block of FIG. 10 in different positions;

FIG. 12 is an exploded perspective view of the cutting guide block of FIG. 10;

FIG. 13 is an exemplary view showing a step of the orthopaedic surgical method of FIG. 8 utilizing the cutting guide block of FIG. 10;

FIG. 14 is an exemplary view showing another step of the orthopaedic surgical method of FIG. 8;

FIG. 15 is an exploded perspective view of various trial components for use in the orthopaedic surgical method of FIG. 8;

FIGS. 16-19 are exemplary views showing other steps of the orthopaedic surgical method of FIG. 8 utilizing various trial components of FIG. 15;

FIG. 20 is an exploded perspective view of slope trial components for use in the orthopaedic surgical method of FIG. 8;

FIGS. 21-22 are elevation views of the slope trial components of FIG. 20;

FIG. 23 is an exemplary view of another step of the orthopaedic surgical method of FIG. 8;

FIG. 24 is an exploded perspective view of a system of trial components;

FIG. 25 is a plan view of the tibial base trial component of the system of FIG. 24;

FIG. 26 is a plan view of the evaluation trial component of the system of FIG. 24;

FIG. 27 is a perspective view of the tibial insert trial component of the system of FIG. 24; and

FIG. 28 is a cross-sectional view of a portion of the system of FIG. 24.

## DETAILED DESCRIPTION OF THE DRAWINGS

While the concepts of the present disclosure are susceptible to various modifications and alternative forms, specific exemplary embodiments thereof have been shown by way of example in the drawings and will herein be described in detail. It should be understood, however, that there is no intent to limit the concepts of the present disclosure to the particular forms disclosed, but on the contrary, the intention is to cover all modifications, equivalents, and alternatives falling within the spirit and scope of the invention as defined by the appended claims.

Terms representing anatomical references, such as anterior, posterior, medial, lateral, superior, inferior, etcetera, may be used throughout the specification in reference to the orthopaedic implants and orthopaedic surgical instruments described herein as well as in reference to the patient's natural anatomy. Such terms have well-understood meanings in both the study of anatomy and the field of orthopaedics. Use of such anatomical reference terms in the written description and claims is intended to be consistent with their well-understood meanings unless noted otherwise.

The exemplary embodiments of the present disclosure are described and illustrated below to encompass prosthetic

## 16

knee joints and knee joint components, as well as methods of implanting and reconstructing knee joints. It will be apparent to those of ordinary skill in the art that the preferred embodiments discussed below are exemplary in nature and may be reconfigured without departing from the scope and spirit of the present invention. However, for clarity and precision, the exemplary embodiments as discussed below may include optional steps, methods, and features that one of ordinary skill should recognize as not being a requisite to fall within the scope of the present invention.

Referring now to FIG. 1, an orthopaedic prosthesis system 10 includes a plurality of femoral components 12, 14, a tibial tray component 16, and a plurality of tibial tray insert components 18, 20, 22 for use in total knee arthroplasty procedures. Each tibial tray insert 18 is configured to be separately attached to the tibial tray 16, which is adapted to be secured to the proximal end of a tibia. When one of the tray inserts is attached to the tibial tray 16, the insert and tray combine to form a single tibial component. In the illustrative embodiment, the tibial tray inserts 18, 20 are configured to engage the femoral component 12 and permit the femoral component 12 to articulate over a range of flexion, while the tibial tray insert 22 is configured to engage the other femoral component 14 to permit the articulation of that component over a range of flexion. In some embodiments, the tibial tray inserts 18, 20 may be configured to also engage with the femoral component 14 and permit the femoral component 14 to articulate over a range of flexion.

As described in greater detail below, the tibial tray insert 18 is a symmetrical posterior cruciate retaining (CR) insert, while the tibial tray insert 20 is an asymmetrical posterior cruciate retaining (CR) insert. The femoral component 14 and the tibial tray insert 22 are ACL-Substituting (AS) components. The asymmetrical CR tray insert 20 and the AS tray insert 22 are configured to cooperate with the femoral components 12, 14, respectively, to provide additional anterior stability on the medial side of the patient's knee relative to the symmetrical CR tray insert 18. In offering a variety of potential cruciate retaining options, the system 10 is configured to provide the surgeon with a number of different implant choices, thereby offering the surgeon flexibility in selecting the appropriate implant configuration to suit the needs of a particular patient. It is also understood that CR designs and the AS design can also be used without the posterior cruciate if the insert is designed with adequate stability to control anterior motion of the femoral component with respect to the insert. It should be appreciated that the system may include additional femoral components and additional tibial tray inserts, such as, for example, a posterior-stabilized femoral component and a posterior-stabilized tray insert, to further extend range of options. In such embodiments, the additional tibial tray inserts may be configured to engage the tibial tray 16.

The femoral components 12, 14 and the tibial tray 16 are illustratively formed from a metallic material such as cobalt-chromium or titanium but may be formed from other materials, such as a ceramic material, a polymer material, a bio-engineered material, or the like, in other embodiments. The tibial tray inserts 18, 20, 22 are illustratively formed from a polymer material such as an ultra-high molecular weight polyethylene (UHMWPE), but may be formed from other materials, such as a ceramic material, a metallic material, a bio-engineered material, or the like, in other embodiments. It should be appreciated that only a single size of each of these components—the femoral components, tray, tray inserts—is shown and described below, the system 10

may include additional sizes of each of those components to accommodate the bony anatomies of various patients.

As shown in FIG. 1, the femoral component 12 is illustratively a posterior cruciate retaining (CR) orthopaedic femoral component that includes medial and lateral condyles 30, 32 and a notch 34 between the condyles 30, 32. Each condyle 30, 32 includes an arcuate surface that extends from the posterior end of the condyle 30, 32 to the anterior flange of the femoral component 12. In some embodiments, the arcuate surface may include a curved section that is defined by a gradually or continuously decreasing radius of curvature when the femoral component is viewed in a sagittal plane. For example, the arcuate surface of the femoral component 12 may include an anterior curved section located anteriorly of the curved section having the gradually decreasing radius of curvature and a posterior curved section located posteriorly of the curved section having the gradually decreasing radius of curvature. In such embodiments, the curved section having the gradually decreasing radius of curvature is designed to gradually transition the arcuate surface of the condyle 30, 32 from the radius of curvature of the anterior curved section to the radius of curvature of the posterior curved section. In this way, the anterior curved section, the of curved section having the gradually decreasing radius of curvature, and the posterior curved section (and possibly additional curved sections) form the arcuate surface of the corresponding condyle 30, 32.

The notch 34 of the illustrative femoral component 12 extends from a posterior gap or open end 36 to allow the femoral component 12 to rotate between full extension and full flexion without impinging the posterior cruciate ligament (PCL), which is retained during the total arthroplasty procedure. The femoral component 12 also includes a number of bone-facing surfaces 38 that are configured to confront a surgically-prepared distal end 40 of a patient's femur 42 (see FIG. 17). As described above, the femoral component 12 is configured to engage with (and articulate on) either the tibial tray insert component 18 or the tibial tray insert component 20, which are described in greater detail below.

The tibial tray 16 includes a plate or platform 50 and an elongated stem 52 that extends away from the distal surface 54 of the platform 50. The elongated tibial stem 52 and the platform 50 are configured to be implanted on and into a surgically-prepared proximal end 56 of a patient's tibia 58 (see FIG. 17). The tibial tray 16 also includes a proximal surface 60 that is positioned opposite the distal surface 54 of the platform 50. An anterior buttress 62 and a posterior buttress 64 extend outwardly from the proximal surface 60. Each of the buttresses 62, 64 includes one or more undercuts or channels 66, 68 configured to receive corresponding flanges 70, 72 (see FIG. 2), respectively, of each of the tibial tray inserts 18, 20, 22 to secure one of the inserts to the tray. In that way, the flanges 70, 72 and buttresses 62, 64 cooperate to form a locking mechanism configured to separately secure each insert to the tibial tray in place of the other inserts to form a single tibial component. It should be appreciated that in other embodiments the locking mechanism may take other forms, including, for example, dove-tail joints, fasteners such as screws or pins, or other mechanical interfaces to attach the insert to the tibial tray. It should also be appreciated that the tray may be asymmetrical, with the buttresses shifted medially or laterally on the platform to accommodate different configurations of inserts.

Referring now to FIG. 2, each of the tibial tray inserts 18, 20, 22 includes a body 80 that is configured to confront the tibial platform 50. Each insert includes a posterior channel

82 sized and shaped to receive the posterior buttress 64 of the tibial tray 16. The flanges 72 extend inwardly from the sidewalls 84 that define the posterior groove 82 and are positioned to be received in the undercuts 68 of the tibial tray 16. Each insert 18, 20, 22 also includes an anterior channel 86 that is sized and shaped to receive the anterior buttress 62 of the tibial tray 16. The flange 70 is positioned in the anterior channel 86 where it can be received in the undercut 66 of the tibial tray 16 when the insert 18, 20, 22 is assembled with the tibial tray 16. In the illustrative embodiment, the buttresses 62, 64, the flanges 70, 72, and the channels 82, 86 cooperate to lock each tibial tray insert 18, 20, 22 in a single orientation relative to the tibial tray 16. It should be appreciated that in other embodiments the tray and inserts may include mobile bearing interface that allows the tibial tray inserts to move independent of the tibial tray.

Referring now to FIG. 3, the body 80 of each of the tibial tray inserts 18, 20 extends from an anterior end 100 to a posterior end 102. This length defines an anterior-posterior distance 104 of each insert 18, 20. As described above, the illustrative embodiment of the system 10 includes only system components that have the same size, and, as shown in FIG. 3, the anterior-posterior distance 104 of the tibial tray insert 18 is substantially equal to the tibial tray insert 20 such that they each may be positioned on the same tibial tray 16. As used in this application, the term "substantially" and derivatives thereof, and words of similar import, when used to describe a size, shape, orientation, distance, spatial relationship, or other parameter includes the stated size, shape, orientation, distance, spatial relationship, or other parameter and also includes a range up to 10% more and up to 10% less than the stated parameter, including 5% more and 5% less, including 3% more and 3% less, including 1% more and 1% less. For example, in some embodiments, the anterior-posterior distance of insert 18 may vary from the anterior-posterior distance of the insert 20 (and insert 22) by 1 to 2 millimeters and may still be considered substantially equal to the anterior-posterior distance of the insert 20 (or the insert 22). In the illustrative embodiment, the anterior-posterior distance 104 of each insert is in a range of 45 to 48 millimeters.

Each body 80 also includes medial and lateral concave surfaces 106, 108 that are adapted to receive and engage the condyles 30, 32 of the femoral component 12. Turning to the symmetrical CR tray insert 18, the medial and lateral concave surfaces (hereinafter surfaces 110, 112) are symmetrical and, in the illustrative embodiment, are substantially identical. Each surface extends from an anterior edge 114 to a posterior edge 116 within the ends 100, 102 of the insert body 80. As shown in FIGS. 3 and 4, each surface has a distal-most point 120 positioned between the edges 114, 116. An anterior-posterior distance 122 is defined between the distal-most point 120 and the posterior end 102 of the insert 18. In the illustrative embodiment, the anterior-posterior distance 122 is equal to about 21.5 millimeters. The term "about" as used in this application should be understood as referring to dimensions within typical manufacturing tolerances of the materials involved. It should be appreciated that this distance may vary by size of the insert. The position of the distal-most point 120 as a percentage of the total length of insert 18 (i.e., the percentage ratio between the anterior-posterior distance 122 and the anterior-posterior distance 104) is in a range of 44% to 48% in the illustrative embodiment.

In some embodiments, the percentage ratio may be based on an anterior-posterior distance measured from the anterior edge of the tibial tray when the insert 18 is mounted on the

tray. In such embodiments, the percentage ratio between that anterior-posterior distance and the anterior-posterior distance **104** may be in a range of 58% to 60%. In some embodiments, that percentage ratio may be equal to about 59%.

As shown in FIG. 4, each of the surfaces **110**, **112** has an anterior height **124** that is defined between the distal-most point **120** and the anterior edge **114** of each surface when viewed in a sagittal plane. In the illustrative embodiment, the anterior height **124** is equal to about 6.2 millimeters. In other embodiments, the height may be in a range of 5-7 millimeters. It should be appreciated that this height may vary by size of the insert.

In the illustrative embodiment, the medial and lateral surfaces **110**, **112** each define an arc **126** that extends between the anterior edge **114** and the posterior edge **116** when the surfaces are each viewed in the sagittal plane. The arc **126** includes a plurality of arc sections **128**, including an anterior arc section **130** extending from the anterior edge **114**. Each arc section **128** has a radius of curvature **132**. In the illustrative embodiment, the radius of curvature of the anterior arc section **130** is a radius of curvature **134**.

Turning to the asymmetrical CR tray insert **20** shown in FIGS. 3 and 5, the medial and lateral concave surfaces (hereinafter surfaces **140**, **142**) are asymmetrical with the lateral concave surface **142** generally flatter than the medial concave surface **140**. The medial surface **140** extends from an anterior edge **144** to a posterior edge **146** within the ends **100**, **102** of the insert **20**. As shown in FIGS. 3 and 5, the medial surface **140** has a distal-most point **150** positioned between the edges **144**, **146**. An anterior-posterior distance **152** is defined between the distal-most point **150** and the posterior end **102** of the insert **18**. In the illustrative embodiment, the anterior-posterior distance **152** is equal to about 17.6 millimeters. In that way, the anterior-posterior distance **152** of the medial surface **140** of the tibial tray insert **20** is less than the corresponding anterior-posterior distance **122** of either of the surfaces **110**, **112** of the tibial tray insert **18** such that the distal-most point **150** of the medial surface **140** is more posterior than the distal-most point **120** of each of the surfaces **110**, **112**. In the illustrative embodiment, the position of the distal-most point **150** of the medial surface **140** as a percentage of the total length of insert **20** (i.e., the percentage ratio between the anterior-posterior distance **152** and the anterior-posterior distance **104**) is in a range of 36% to 39% in the illustrative embodiment.

In some embodiments, the percentage ratio may be based on an anterior-posterior distance measured from the anterior edge of the tibial tray **16** when the insert **20** is mounted on the tray **16**. In such embodiments, the percentage ratio between that anterior-posterior distance and the anterior-posterior distance **104** may be in a range of 60% to 70%. In some embodiments, that percentage ratio may be equal to about 66%.

As shown in FIG. 5, the medial surface **140** of the insert **20** has an anterior height **154** that is defined between the distal-most point **150** and the anterior edge **144** of the medial surface **140** when viewed in a sagittal plane. In the illustrative embodiment, the anterior height **154** is in a range of 10.6 to 10.7 millimeters. In that way, the anterior height **154** of the medial surface **140** of the insert **20** is greater than the anterior height **124** of either the medial or lateral surfaces **110**, **112** of the symmetrical CR tray insert **18**.

In the illustrative embodiment, the medial surface **140** defines an arc **156** that extends between the anterior edge **144** and the posterior edge **146** when it is viewed in the sagittal plane. The arc **156** includes a plurality of arc sections

**158**, including an anterior arc section **160** extending from the anterior edge **144**. Each arc section **158** has a radius of curvature **162**. In the illustrative embodiment, the radius of curvature of the anterior arc section **160** (hereinafter radius **164**) is smaller than the radius of curvature of the corresponding anterior arc section **130** of the symmetrical CR tray insert **18**.

As described above, the lateral surface **142** of asymmetrical CR tray insert **20** is generally flatter than the medial surface **140**. In the illustrative embodiment, it is also flatter than either of the surfaces **110**, **112** of the symmetrical CR tray insert **18**. The lateral surface **142** extends from an anterior edge **174** to a posterior edge **176** within the ends **100**, **102** of the insert **20**. As shown in FIG. 5, the lateral surface **142** has a distal-most section **180** that defines a substantially straight line between the edges **174**, **176** and also has an anterior height **184** that is defined between the distal-most section **180** and the anterior edge **174** of the lateral surface when the insert **20** is viewed in a sagittal plane. In the illustrative embodiment, the anterior height **184** is in a range of 2.0 to 2.2 millimeters.

The configuration of the medial concave surface **140** of the asymmetrical CR tray insert **20** provides additional conformity with the medial condyle of the femoral component **12** at extension. That additional conformity, combined with the asymmetry between the concave surfaces **140**, **142**, assists in providing anterior stabilization of the knee at extension in the absence of the ACL, as well as facilitating the "screw-home" mechanism described above. In the illustrative embodiment, capability of the symmetrical CR tray insert **18** to also interface with the tibial tray **16** provides the surgeon with the option of using either of the CR tray inserts **18**, **20** with the femoral component **12**, allowing the surgeon to have greater options in selecting the implant configuration appropriate to the patient's needs.

Referring now to FIG. 6, the system **10** also includes a femoral component **14** and a tibial tray insert **22** configured to be separately secured to the tibial tray **16** in place of the other inserts **18**, **20**. The femoral component **14**, like the femoral component **12**, has medial and lateral condyles **230**, **232** and a notch **234** between the condyles **230**, **232**. The notch **234** extends from a posterior gap or open end **236** to allow the femoral component **14** to rotate between full extension and full flexion without impinging the PCL. The femoral component **14** includes a number of bone-facing surfaces **238** that are configured to confront the surgically-prepared distal end **40** of the patient femur **42** (see FIG. 17).

The femoral component **14** includes an anterior portion **240** and a posterior portion **242** that are shown by the dotted line imaginary boundary line **244** in FIG. 6. The anterior portion **240** includes a front exterior face **246** having a depression **248** adapted to receive at least a portion of a patella component. The depression **248** marks the beginning of individual condyle **230**, **232** formation. From the top or superior-most portion of the front exterior face **246** downward, following the contours of the front face, the curved nature begins to take shape and transition into individual condyles **230**, **232**. As the shape of the condyles **230**, **232** becomes more pronounced, the condyles separate from one another to open the notch **234**. Additionally, as illustrated in FIG. 6, the medial condyle **230** has a maximum medial-lateral width that is larger than the maximum medial-lateral width of the lateral condyle **232**. However, in the illustrative embodiment, the notch **234** has a substantially uniform width, resulting in the inner shape and contour of the condyles being substantially the same.

21

The femoral component **14** also has an anterior cam **250** that is positioned at the anterior end of the notch **234** and is configured to engage a spine **252** of the tibial tray insert **22**. As described above, the femoral component **14** and tibial tray insert **22** are ACL-Substituting (AS) components configured to provide anterior stabilization and additional support at extension. As shown in FIG. 6, the anterior cam **250** of the femoral component **14** has a posterior surface **254** that is arcuate or rounded. When viewed in the sagittal plane, the posterior surface **254** defines a convex curved line. It should be appreciated that in other embodiments the posterior surface may define a concave curved line. In still other embodiments, the posterior surface may define a substantially straight line for a substantially flat or planar cam. The posterior-most point of the surface **254** is positioned anterior of the boundary line **244**, illustrating that the anterior cam **250** is positioned entirely in the anterior portion **240** of the femoral component **14**.

As described above, the insert **22** is configured to engage the femoral component **14** and permit the femoral component **14** to articulate over a range of flexion. The tibial tray insert **22** includes medial and lateral concave bearing surfaces **260**, **262** that are adapted to receive and engage the condyles **230**, **232** of the femoral component **14**. The two bearing surfaces **260**, **262** are partially separated from one another by a post or spine **252** upstanding from the tibial tray insert **22**. In this exemplary embodiment, the spine **252** is integrally formed with the tibial tray insert **22**. However, it should be appreciated that the spine **252** may be separable from the tibial tray insert **22** and its location modified based on the location/movement of the tibial tray insert.

The spine **252** has an anterior surface or wall **264** that is configured to engage the posterior surface **254** of the cam **250** of the femoral component **14** at full extension through early flexion. As shown in FIG. 6, the spine **252** also includes a curved anterior section **266** that is sized to ensure the cam **250** properly disengages from the spine **252**. It should be appreciated that the spine **252** may include other structures that are sized and shaped to ensure the cam **250** properly disengages from the spine **252** by mid-to-late flexion. In the illustrative embodiment, the anterior section **266** faces toward the medial concave surface **260** and faces away from the lateral concave surface **262**.

In the illustrative embodiment, the configuration of the concave surfaces **260**, **262** substantially matches the configuration of the corresponding concave surfaces **140**, **142** of the insert **20**. In other embodiments, the surfaces **260**, **262** may continue to be asymmetrical but may share a common posterior geometry before diverging as they progress anteriorly, with the lateral surface **262** having a flatter anterior section than the medial surface **260**. In such embodiments, the medial surface **260** may have a distal-most point that is proximate to where the geometries of the surfaces **260**, **262** begin to diverge. It should be appreciated that in other embodiments the surfaces **260**, **262** may be symmetrical and have substantially identical geometries.

As shown in FIG. 6, the AS insert **22** includes a body **80** that extends from an anterior end **100** to a posterior end **102**. This length defines an anterior-posterior distance **104** of the insert. In the illustrative embodiment, the anterior-posterior distance **104** of the tibial tray insert **22** is substantially equal to the tibial tray insert **18**, **20** such that they each may be positioned on the same tibial tray **16** in place of the other tray inserts.

The surfaces **260**, **262** of the tray insert **22** are asymmetrical with the lateral concave surface **262** generally flatter than the medial concave surface **260**. The medial surface **260**

22

extends from an anterior edge **274** to a posterior edge **276** within the anterior and posterior ends **100**, **102** of the insert **22**. As shown in FIG. 7, the medial surface **260** has a distal-most point **280** positioned between the edges **274**, **276**. An anterior-posterior distance **282** is defined between the distal-most point **280** and the posterior end **102** of the insert **22**. In the illustrative embodiment, the anterior-posterior distance **282** is less than the corresponding anterior-posterior distance **122** of either of the surfaces **110**, **112** of the tibial tray insert **18** such that the distal-most point **280** of the medial surface **260** is more posterior than the distal-most point **120** of each of the surfaces **110**, **112**. In the illustrative embodiment, the position of the distal-most point **280** of the medial surface **260** as a percentage of the total length of insert **22** (i.e., the percentage ratio between the anterior-posterior distance **282** and the anterior-posterior distance **104**) is in a range of 36% to 39% in the illustrative embodiment.

In some embodiments, the percentage ratio may be based on an anterior-posterior distance measured from the anterior edge of the tibial tray when the insert **22** is mounted on the tray. In such embodiments, the percentage ratio between that anterior-posterior distance and the anterior-posterior distance **104** may be in a range of 58% to 60%. In some embodiments, that percentage ratio may be equal to about 59%.

The medial surface **260** of the insert **122** has an anterior height **284** that is defined between the distal-most point **280** and the anterior edge **274** of the medial surface when viewed in a sagittal plane. In the illustrative embodiment, the anterior height **284** is greater than the anterior height **124** of either the medial or lateral surfaces **110**, **112** of the insert **18**. In the illustrative embodiment, the medial surface **260** defines an arc **286** that extends between the anterior edge **274** and the posterior edge **276** when it is viewed in the sagittal plane. The arc **286** includes a plurality of arc sections **288**, including an anterior arc section **290** extending from the anterior edge **274**. Each arc section **288** has a radius of curvature **292**. In the illustrative embodiment, the radius of curvature of the anterior arc section **290** (hereinafter radius **294**) is smaller than the radius of curvature of the corresponding anterior arc section **130** of the symmetrical CR tray insert **18**.

As described above, the lateral surface **262** of insert **22** is generally flatter than the medial surface **260**. In the illustrative embodiment, it is also flatter than either of the surfaces **110**, **112** of the insert **18**. The lateral surface **262** extends from an anterior edge **304** to a posterior edge **306** within the ends **100**, **102** of the insert **22**. As shown in FIG. 7, the lateral surface **262** has a distal-most section **310** that defines a substantially straight line between the edges **304**, **306** and also has an anterior height **314** that is defined between the distal-most section **310** and the anterior edge **304** of the lateral surface when the insert **22** is viewed in a sagittal plane. In the illustrative embodiment, the anterior height **314** is in a range of 1.3 to 1.5 millimeters.

The configuration of the medial concave surface **260** of the AS tray insert **22** provides additional conformity with the medial condyle of the femoral component **14** at extension. That additional conformity, combined with the asymmetry between the concave surfaces **260**, **262** and the engagement of the cam and spine, assists in providing anterior stabilization of the knee at extension in the absence of the ACL. In the illustrative embodiment, capability of the other tray inserts **18**, **20** to also interface with the tibial tray **16** provides the surgeon with the option of using any of the tray inserts

18, 20, 22, allowing the surgeon to have greater options in selecting the implant configuration appropriate to the patient's needs.

Referring now to FIG. 8, a method 400 of performing an orthopaedic surgical procedure on a patient's knee is shown. It should be appreciated that the orthopaedic surgical procedure may include additional steps prior or subsequent to the steps shown in FIG. 8. Additionally, each step shown in FIG. 8 and described in this application may include additional activities not described herein for the purposes of brevity. Some of the activities described in regard to each step may also be varied or modified in ways foreseeable to someone skilled in the art.

The method 400 includes step or block 402 in which a surgeon or other appropriate individual utilizes various surgical instruments to identify appropriate cutting planes, place cutting blocks, and perform initial resections of a patient's femur 42 and tibia 58. As shown in FIG. 9, the initial resections may create a substantially planar proximal surface 450 on the patient's tibia 58 and a substantially planar distal surface 452 on the patient's femur 42. A multi-cut cutting block, such as, for example, the 4-in-1 cutting block 454 shown in FIG. 9, may also be attached to the planar distal surface 452 such that further resections may be performed prior to the method advancing to block 404. Alternatively, the block 454 may be positioned on the planar distal surface 452 and the activities of block 404 performed before further resections are performed. In still other embodiments, the surgeon may assess the ligament balance and/or assess the range of motion prior to performing any resections.

In block 404, the surgeon may position a spacer instrument 460 in the gap between the patient's femur 42 and tibia 58 to assess the balance of the patient's ligaments. To do so, the surgeon may engage the end 462 of the spacer instrument with the planar proximal surface 450 on the patient's tibia 58 and a distal surface 464 of the 4-in-1 cutting block 454, thereby tensioning the ligaments while the knee is in flexion. In this way, the surgeon may assess the state of the patient's ligaments and the flexion space. As described above, in other embodiments, the surgeon may assess the ligament balance and/or assess the range of motion prior to performing any resections. To assess the range of motion as well as the ligament balance, the surgeon may position the end 462 of the spacer instrument 460 in the gap between the patient's femur 42 and tibia 58 while pivoting the patient's leg over a range of flexion, including, in some cases, full extension and full flexion or hyper-flexion.

Depending on the state of patient's joint, the method 400 may continue to block 406 in which a resection of the intercondylar notch is performed, or to block 408 in which the surgery moves to other cruciate-retaining (CR) or posterior-stabilized (PS) implant workflows in which the patient's bones are prepared to receive prosthetic components in block 410, as described in greater detail below. It should also be appreciated that the initial assessment performed in block 404 may be omitted, and the surgeon may begin with block 406 or with a CR trial reduction similar to that shown and described in U.S. Pat. No. 10,195,056, which is expressly incorporated herein by reference.

In block 406, the surgeon may perform a resection of the patient's intercondylar notch to create a region sized to accommodate the spine 252 of the tray insert 22 and the anterior cam 250 of the femoral component 14. In one embodiment, the surgeon may utilize a cutting guide block 500 (see FIG. 10) to perform the resection. The cutting guide block 500 includes a body 502 shaped to engage the planar

distal surface 452 and the anterior portion 456 of the distal end of the patient's femur 42, and a cutting guide slot 504 sized and shaped to guide a cutting blade (not shown) to resect the patient's femur. In the illustrative embodiment, the body 502 includes markings that indicate the anterior geometries of the femoral components 12, 14 (including corresponding left or right leg configurations), and the cutting guide block 500 is configured to permit the surgeon or other user to adjust the cutting guide slot 504 between a position 506 for use on a right femur (see FIG. 11) and a position 508 for use on a left femur (see FIG. 11). It should be appreciated that in other embodiments the system may include a dedicated left femur cutting guide and a dedicated right femur cutting guide. In still other embodiments, the slot may be sized to be usable on the left or right femur.

As shown in FIG. 10, the body 502 includes a distal plate 510 that extends from an anterior plate 512 to a posterior end 514. The anterior plate 512 extends from its junction with the distal plate 510 to a proximal end 516 such that the body 502 is generally L-shaped when viewed in profile. The plates 510, 512 include bone-facing surfaces 518, 520, respectively, and outer surfaces 522, 524, respectively, which are positioned generally opposite their corresponding bone-facing surfaces. In the illustrative embodiment, the body 502 is formed from a metallic material such as, for example, stainless steel.

The anterior plate 512 includes a pair of viewing ports 526, 528 (see FIG. 13) sized to permit the surgeon to view the area of the patient's bone underlying the plate 512. These ports 526, 528 extend through the outer and bone-facing surfaces of the anterior plate and are shaped and positioned to create representations of the medial and lateral aspects of the femoral component geometry. The surgeon may use those representations to check the position of the cutting guide block 500 on the bone prior to securing the block 500 to the bone with one or more fixation pins 530 (see FIG. 13). The anterior plate 512 illustratively includes a pair of fixation pin guide holes 532, each of which is sized to receive a fixation pin 530.

An elongated slot 534 extends through the bone-facing surfaces 518, 520 and the outer surfaces 522, 524 of the distal plate 510 and the anterior plate 512. As shown in FIG. 12, the slot 534 extends from an opening 536 defined in the outer surfaces 522, 524 through an opening 538 defined in the bone-facing surfaces 518, 520 (see FIG. 12). A number of inner walls 540 extend between the openings 536, 538 to define the slot 534. The slot 534 has a distal section 542 and an anterior section 544 such that it is generally L-shaped when viewed in profile.

The cutting guide block 500 also includes a flange 550 that extends outwardly from the anterior plate 512. The flange 550 includes a cutting guide surface 552 that extends into the slot 534 as shown in FIG. 12. In that way, the flange 550 provides an additional support surface for use by the surgeon during the resection. It should be appreciated that similar support flanges may be added to the distal plate 510 at the opposite end of the elongated slot 534.

As described above, the cutting guide slot 504 is adjustable to be repositioned and sized for use on a right femur or a left femur. In the illustrative embodiment, the cutting guide block 500 includes an adjustable body 560 that is configured to be repositioned within the elongated slot 534 to adjust the size and position of the cutting guide slot 504. As shown in FIG. 11, the adjustable body 560 is configured to move relative to the anterior plate 512 and the distal plate 510 between the positions 506, 508 to position the guide slot 504 for use on the right or left femur.

In the illustrative embodiment, the body **560** is formed from a metallic material such as, for example, stainless steel. As shown in FIG. **12**, the adjustable body **560** includes a beam **562** that extends from a posterior end **564** to an anterior end **566**. A pair of legs **568**, **570** extends from the posterior end **564** in opposite directions. In the illustrative embodiment, the configuration of the leg **570** is identical to the configuration of leg **568** such that only leg **568** will be described in detail here for the purposes of brevity. The leg **568** includes an inner wall **572** that extends from an edge **574** attached to the beam **562**. The wall **572** extends to a tip **576** and includes a surface **578** that is sloped because the edge **574** is positioned anterior of the tip **576**. When the adjustable body **560** is placed at position **508** as shown in FIG. **11**, the surface **578** of the leg **568** cooperates with the exposed surfaces **552**, **580** of the plates **510**, **512** and the exposed surface **582** of the beam **562** to define the cutting guide slot **504** at that position.

When the adjustable body **560** is placed at position **506** as shown in FIG. **11**, the surface **578** of the leg **570** cooperates with the exposed surfaces **552**, **584** of the plates **510**, **512** and the exposed surface **586** of the beam **562** to define the cutting guide slot **504** at that position. The sloped surfaces **578** of the legs **568**, **570** (as well as the bodies of the legs) are each sized to assist the surgeon in resecting the patient's femur and to protect the posterior-cruciate ligament (PCL) of the patient during resection. It should be appreciated that in other embodiments one or both of the legs may be omitted.

The surfaces **582**, **584** of the beam **562** are positioned on an elongated arm **590** that extends from the posterior end **564** and an anterior arm **592** that extends from the arm **590**, as shown in FIG. **12**. The arms **590**, **592** cooperate to define a medial cutting guide surface of the block **500** when the adjustable body **560** is located at either position **506** or position **508**, while one of the legs **568**, **570** defines the posterior cutting guide surface. When the body **560** is located at the position **506**, the leg **568** is positioned in a pocket or passageway **596** that is defined in the surface **580** of the distal plate **510**. When the body **560** is located at the position **508**, the leg **570** is positioned in a pocket or passageway **594** that is defined in the surface **584** of the distal plate **510**. It should be appreciated that the cutting guide block may include one or more features to prevent inadvertent movement of the adjustable body with the slot.

To facilitate movement of the adjustable body **560**, the cutting guide block **500** includes a cylindrical rod **600** that is secured within the distal plate **510** in a passageway **602**. The adjustable body **560** includes an eyelet **604** that is positioned below the posterior end **564** of the beam **562** and is sized to receive the rod **600**. In the illustrative embodiment, the distal plate **510** includes a channel **606** that opens into the elongated slot **534** and the passageway **602**. The channel **606** is sized to receive the eyelet **604** and permit the eyelet **604** (and hence the adjustable body **560**) to be moved between the positions **506**, **508**. It should be appreciated that in other embodiments the adjustable body may be detachable from the rest of the cutting guide block **500** to reposition the cutting guide slot.

Returning to the method **400**, the surgeon may perform the resection of the patient's intercondylar notch utilizing the cutting guide block **500**. As shown in FIG. **13**, the surgeon may position the cutting guide block **500** on the patient's femur. In the illustrative embodiment, the patient's femur is a left femur, so the adjustable body **560** is positioned in the position **508**. At the position **508**, the longitudinal axis of the cutting guide slot **504** is offset from the

longitudinal axis of the guide block, and the slot is aligned with the portions of the patient's femur **42** that are to be resected to accommodate the spine **252** of the tray insert **22** and the anterior cam **250** of the femoral component **14**. As described above, the leg **568** of the adjustable body **560** is positioned with respect to the patient's PCL to protect it during resection. The surgeon may then utilize a cutting saw blade to resect the intercondylar notch. The method **400** may advance to block **412** after the resection(s) is complete.

In block **412**, the surgeon may select trial components for use in, for example, a trial reduction process in which the range of motion is assessed to determine the type and configuration of each of the various types of prosthetic components to be implanted. In the illustrative embodiment, the surgeon may select trial components corresponding to the femoral component **14** and the tibial tray insert **22**, which include the anterior cam **250** and spine **252**, respectively. It should be appreciated that even after the resection performed in block **406**, the surgeon may select trial components associated with the femoral component **12** and the tray inserts **18**, **20** and choose to implant those components as appropriate for the needs of the particular patient.

As shown in FIG. **14**, when the surgeon has selected a femoral prosthetic trial component **610**, which illustratively corresponds to the femoral component **14**, the surgeon may position it on the distal end of the patient's femur **42** after resecting the anterior surface, posterior surface, and chamfer surfaces of the patient's femur. In other embodiments, the surgeon may utilize a femoral trial component similar to that shown and described in U.S. patent application Ser. No. 16/458,077 entitled "FEMORAL TRIAL COMPONENTS AND ASSOCIATED ORTHOPEDIC SURGICAL METHOD OF USE," which is expressly incorporated herein by reference. In such embodiments, some or all of blocks **412**, **414**, **416** may be performed before the resection of anterior surface, posterior surface, and chamfer surfaces of the patient's femur.

The surgeon may also select tibial trial components. Referring now to FIG. **15**, the tibial trial components include a tibial base trial component **614**, an evaluation component **616**, and a number of tibial surface trial components **618**, **620**, **622**, which correspond to the tibial tray inserts **18**, **20**, **22**, respectively. In the illustrative embodiment, each surface trial component is configured to be separately coupled to a shim **624** (or to no shim) to form a tibial insert trial component, which permits the surgeon to selectively adjust the overall height of the trial construct depending on the state of the patient's bony anatomy and ligaments. Each assembled tibial insert trial component may be attached to the evaluation component **616** and the base trial component **614** during the trial reduction. Exemplary embodiments of the shims, the base trial component, and their method of use are shown and described in U.S. Pat. No. 10,195,056, which is expressly incorporated herein by reference. It should be appreciated that in other embodiments the tibial insert trial components may be monolithic/solid components with the shims and surface trials combined into a single component.

In the illustrative embodiment, the tibial surface trial component **622** includes a spine **252** and bearing surfaces **260**, **262** corresponding to the tray insert **22** described above. The surgeon may therefore select the trial component **622**, attach it to the shim **624**, and attach the shim **624** and trial component **622** to the components **614**, **616** for trial reduction with the femoral trial component **610**, as described in greater detail below.

The surface trial components **618**, **620**, **622** are illustratively formed from a polymeric material such as, for

example, polyethylene or other plastic materials. The shims are formed from a combination of polymeric materials and metallic materials, such as, for example, polyethylene and stainless steel. The tibial base trial and evaluations components are illustratively formed from metallic materials such as, for example, stainless steel.

The tibial base trial component **614** may be attached to the proximal end of the patient's tibia. It should be appreciated that the tibial base trial component **614**, like the other trial components, may be formed in a number of different sizes to accommodate bones of various sizes. As shown in FIG. **15**, the tibial base trial component **614** includes a plate **630** that has a central opening **632**. An inner wall **634** extends downwardly from the central opening **632** to define a passageway **636** through the plate **630**. The inner wall **634** includes an upper wall **638** and a lower wall **640** that is offset or otherwise spaced inwardly from the upper wall **638**. The upper wall **638** and the lower wall **640** cooperate to define a shelf surface **642** positioned between the inferior surface and the superior surface of the plate. As will be discussed in greater detail below, the configuration of the passageway **636** permits the advancement of various surgical drills, punches, and other instruments into the proximal end of the patient's tibia.

As shown in FIG. **15**, the tibial evaluation component **616** is configured to be positioned in the passageway **636** of the tibial base trial component **614** to form a tibial tray trial component. In the illustrative embodiment, the tibial evaluation component **616** has a base plate **650** having a central platform **652** and a pair of prongs **654**, **656** that extend outwardly from the central platform **652**. A post **658**, which is part of a posterior buttress **660**, extends upwardly from the central platform **652**. The posterior buttress **660** also includes a pair of arms **662**, **664** that extend posteriorly from the post **658** to cantilevered tips. The tibial evaluation component **616** also includes an anterior buttress **668** positioned opposite the posterior buttress. In the illustrative embodiment, the buttresses **660**, **668** are configured to separately engage each tibial insert/bearing trial component assembly (i.e., formed by surface trial components **618**, **620**, or **622** and a shim **624**).

The prong **654** extends medially from the central platform **652** to an outer tip **670**. A through-hole **672**, which is sized to receive a fixation pin **674**, extends through the prong near the outer tip **670**. The fixation pin **674** is sized to extend through the hole **672** to engage the patient's bone. In the illustrative embodiment, the through-hole **672** is positioned to align with the distal-most point **280** of the medial concave surface **260** of the insert trial **622**. In other words, the center of the through-hole **672** is positioned on an imaginary line extending in an inferior-superior direction through the distal-most point **280** when the insert trial **622** is coupled to the evaluation component **616**. As a result, the fixation pin **674**, when it extends through the hole **672** into the patient's bone, is also positioned on the same imaginary line, and an axis of rotation is defined by the pin **674** about which the tibial evaluation component **616** (and hence the tibial insert trial component assembly and tibial base trial component **614**) are permitted to rotate, as described in greater detail below.

The other prong **656** extends laterally from the central platform **652** to an outer tip **680**. In the illustrative embodiment, a plurality of through-holes **682**, **684**, **686** extend through the prong **656**. Each of the through-holes **682**, **684**, **686** is sized to receive a fixation pin **674**. When fixation pins are positioned in the through-hole **672** of the prong **654** and any of the through-holes **682**, **684**, **686** of the prong **656**, the tibial evaluation component **616** (and hence the tibial insert

trial component assembly and tibial base trial component **614**) are prevented from rotating relative to the patient's tibia.

The trial components are selected in block **412** of the method **400** of FIG. **8** for use in a trial reduction process. As shown in FIG. **8**, the method **400** may advance to block **414** in which the trial reduction process, including an assessment of the range of motion, is performed. The surgeon may begin by placing the tibial base trial component **614** on the patient's tibia, as shown in FIG. **16**. The surgeon may also insert the evaluation component **616** into the base trial **614** and a fixation pin **674** into the medial through-hole **672** of the prong **654**. The insert trial **622** and a shim **624** may be attached to the evaluation component **616** over the head of the fixation pin **674** to form a tibial trial construct **688** as shown in FIG. **17**.

As described above, the fixation pin **674**, when it extends through the hole **672** into the patient's bone, is positioned on an imaginary line extending in an inferior-superior direction, which extends through the distal-most point **280** of the insert trial **622** when the insert trial **622** and a shim **624** is coupled to the evaluation component **616**. The position of the through-hole **672** should also be aligned to the Medial Collateral Ligament (MCL) in the anterior-posterior direction to near the anterior-posterior center of the MCL insertions into the proximal tibia. The medial-lateral position with respect to the MCL is determined based on tibial base size and coverage relative to the resected proximal tibia.

To evaluate the range of motion, the surgeon may place the leg in extension, as shown in FIG. **17**. The surgeon may also attach a surgical handle **690** (see FIG. **18**) to the front of the base trial **614** to control the rotation of the tibial trial construct **688** about the fixation pin **674**. The surgeon may also choose to hold the tibial trial construct **688** in position by hand. In still other embodiments, the surgeon may place the trial construct at a particular rotational position on the tibia and use one of the lateral through-holes **682**, **684**, **686** to temporarily lock the trial construct at that position. The surgeon may then move the leg between early flexion and full extension, evaluating the range of motion and the cam/post interaction between the femoral trial **610** and the tibial trial construct **688**. The surgeon may move the trial construct to other rotational positions on the patient's tibia to locate the position providing appropriate engagement between the cam and post, as well as acceptable tibial rotation relative to the femur. The surgeon may also assess the tension of the PCL. If the surgeon determines the trial construct is in the correct position/rotation, the surgeon may pin construct in place through one of the anterior holes of the tray **614**.

Based on these factors, the surgeon may proceed to block **416** to continue the trialing process for the ACL-Substituting prosthesis formed by the femoral component **14** and the tibial insert **22** or proceed to block **418** in which the surgeon proceeds to other cruciate-retaining (CR) or posterior-stabilized (PS) implant workflows. In block **418**, the surgeon may prepare the patient's bones to receive other prosthetic components, including the tray inserts **18**, **20** and the femoral component **12**. It should be appreciated that if the surgeon proceeds to block **418**, the surgeon may utilize the tibial base trial component **614**, tibial evaluation component **616**, and any desired size of shim **624** if further trial reduction is required. In the illustrative embodiment, each of the surface trials **618**, **620** are configured to separately couple to a shim **624** to form insert trial assemblies corresponding to the tray inserts **18**, **20**, respectively.



If the surgeon proceeds to block **416** to continue the trialing process for the femoral component **14**, the surgeon may continue assessing the range of motion to set the final rotational position of the tibial trial construct **688**. To do so, the surgeon may select the rotational position providing appropriate engagement between the cam and post, as well as acceptable tibial rotation relative to the femur. The surgeon may also pick the final position based the tension of the ligaments. When the construct is in the desired rotational position, the surgeon may advance a fixation pin **692** through an anterior fixation hole of the tibial base trial component **614** to secure the tibial trial construct **688** in the desired position.

As shown in FIG. **8**, the surgeon may also set tibial slope in block **416**. To do so, the surgeon may utilize the slope trial system **700** shown in FIGS. **20-22**. The system **700** includes a plurality of shim bases **718**, **720** configured to be separately coupled to a tibial surface trial **722** corresponding to the configuration of the tibial tray insert **22**. In the illustrative embodiment, each base includes a groove **724** that is configured to engage a corresponding flange **726** (see FIG. **21**) of the trial **722**. The flange and groove form a dovetail joint in the illustrative embodiment to removably secure the trial to the base.

Each base includes a distal surface **728** configured to engage a resected proximal surface of the patient's tibia and an opposite facing proximal surface. As shown in FIG. **21**, the proximal surface **730** of the base **718** extends generally parallel to the distal surface **728** such that no tilt or slope is imparted to the surface trial **722**. As shown in FIG. **22**, the proximal surface **732** of the base **720** is angled relative to the distal surface **726**. In the illustrative embodiment, the angle  $\alpha$  defined between the surfaces **726**, **730** is equal to 3 degrees such that a three degree slope is imparted to the surface trial **722** when it is attached to the base **720**. It should be appreciated that although only two bases with two slope options are shown, the system **700** may include additional bases having proximal surfaces angled at other degrees relative to the corresponding distal surfaces. The angle  $\alpha$  may be in a range of -5 degrees to +10 degrees. In some embodiments, the angle  $\alpha$  may be equal to 0, 2, or 4 degrees.

Although shown without any means of securing the bases to the patient's bone, in other embodiments each base may include spikes or any number of through-holes sized to receive fixation pins to selectively secure the bases to the patient's tibia while the slope is evaluated. When a trial construct including the trial **722** and one of the bases **718**, **720** is assembled and placed on the tibia, assessment of the cam/post engagement and range of motion may be evaluated at various slopes by inserting different bases. Once the desired slope is identified, a tibial re-cut block (not shown) may be attached to the patient bone, and the final resection performed to add the selected slope. It should be appreciated that in other embodiments the trial constructs including trials **718**, **720**, or **722** may be mounted to the tray base trial **614**.

As described above, the surgeon may also utilize a femoral trial component similar to that shown and described in U.S. Pat. No. 11,141,291, entitled "FEMORAL TRIAL COMPONENTS AND ASSOCIATED ORTHOPAEDIC SURGICAL METHOD OF USE," which was filed on Jun. 30, 2019 and which is expressly incorporated herein by reference. In such embodiments, the surgeon may perform a final check of the proposed anterior-posterior engagement of the cam and post in block **416** in conjunction with setting tibial rotation and tibial slope. In still other embodiments, the surgeon may utilize the tibial base trial system and associated instrumentation shown and described in U.S.

Prov. Appl. No. 60/898,237, entitled "ADJUSTABLE TIBIAL TRIAL INSTRUMENT AND ORTHOPAEDIC SURGICAL METHOD OF USING THE SAME", which is expressly incorporated herein by reference.

After completing blocks **408**, **416**, or **418** of the method **400**, the surgeon may continue the surgical preparation of the patient's tibia and femur in manner similar to that described in, for example, U.S. Pat. No. 10,195,056, which is hereby incorporated by reference. For example, as shown in FIG. **23**, the surgeon may remove the evaluation component **616** after securing the tibial base trial **614** to patient's tibia using additional fixation pins. The surgeon may attach the guide tower **740** to the base trial **614** to guide the insertion of additional tools, including, for example, a broach **742**, to continue the preparation of the bone. When the bone preparation is complete, the surgeon may implant the selected components of the system **10** in block **410**.

Referring now to FIGS. **24-28**, another system **800** of tibial trial components is shown. The system **800**, like the tibial trial components described above in regard to FIG. **15**, may be utilized to trial and select a set of implant components, including, in particular, a femoral component **14**, a tibial tray insert **22**, and a tibial tray **16**. The system **800** includes a tibial base trial component **802** configured to be attached to the proximal end of the patient's tibia, an evaluation component **804** configured to be coupled to the base trial component **802**, and a tibial bearing/insert trial component **806** configured to be attached to the other components **802**, **804**. The tibial insert trial component **806** includes medial and lateral concave surfaces **808**, **810** and a post **812** corresponding to corresponding features of a tibial tray insert. The post and surfaces are configured to engage with an anterior cam and corresponding condyle surfaces of a femoral trial component or of a femoral prosthetic component. The materials used in components **802**, **804**, **806** are similar to those described above in regard to components **614**, **616**, **622**, respectively.

As shown in FIGS. **24-25**, the tibial base trial component **802** includes a plate **822** having a superior surface **824**, an inferior surface **826**, and an outer sidewall **828** extending between the surfaces **824**, **826**. The plate **822** includes a plate opening **830** defined in the superior surface **824**. A number of through holes **832**, which are configured to receive fixation pins or spikes of a drill tower (not shown), extend through the surfaces **824**, **826**. An inner wall **844** extends downwardly from the plate opening **830** to define a passageway **846** through the plate **822**. The inner wall **844** includes an upper wall **848** and a lower wall **850** that is offset or otherwise spaced inwardly from the upper wall **848**. The upper wall **848** and the lower wall **850** cooperate to define a shelf surface **854** positioned between the inferior surface **826** and the superior surface **824**.

The inner wall **844** includes a lateral section **856** that defines a concave arc. The lateral section **856** includes a first portion of a locking mechanism in the form a plurality of teeth **858** defined on the lateral section and face into the passageway **846**. As described in greater detail below, the teeth **858** are configured to engage a second portion of the locking mechanism (i.e., corresponding teeth **860**) of the evaluation component **804** to prevent relative rotation between the evaluation component **804** and the tibial base trial component **802**. As shown in FIG. **25**, the inner wall **844** also includes a medial section **862** that defines a partially cylindrical section **864** of the passageway **846**. The section **864** has a central axis **866** about which the evaluation component **804** or the tibial base trial component **802** may

rotate relative to the other component when the teeth **858**, **860** are not engaged, as described in greater detail below.

The tibial base trial component **802** includes a posterior buttress **870** and an anterior buttress **872** configured to engage the tibial insert trial component **806** to prevent relative movement between the components **802**, **806**. In the illustrative embodiment, the buttresses **870**, **872** each include a pair of posts extending upwardly from the superior surface **824**. In other embodiments, the buttresses may include other structures configured to prevent relative movement.

The evaluation component **804** includes a central platform **880** and a pair of prongs **882**, **884** that extend outwardly from the central platform **880**. In the illustrative embodiment, a pair of spikes **886**, **888** extend downwardly from the prongs **882**, **884**, respectively. Each spike is configured to engage the patient's tibia to temporarily attach the evaluation component **804** to the patient's tibia.

The prong **882** is a medial prong that includes a medial tip **900** configured to be received in the partially cylindrical section **864** of the passageway **846** of the tibial base trial component **802**. The medial tip **900** includes a body **902** extending from an inferior end **904**. The body **902** is configured to confront the lower wall **850** of the tibial base trial component **802**. The medial tip **900** also includes a flange **904** that extends outwardly at the superior end **906** of the body **902** to confront the upper wall **848**. In the illustrative embodiment, the body **902** has a central axis **910** (see FIG. **26**) that is coincident with the central axis **866** of the base trial **802** when the components are coupled together.

The prong **884** is a lateral prong that includes a lateral tip **920**. In the illustrative embodiment, the lateral tip **920** includes the second portion of the locking mechanism in the form of the plurality of teeth **860**, which are configured to engage the teeth **858** of the tibial base trial component **802**. As shown in FIG. **24**, the prong **884** (and hence the teeth **860**) are positioned inferiorly of the flange **904** of the medial tip **900**.

The evaluation component **804** also includes a post **926** extends upwardly from the central platform **880**. In the illustrative embodiment, the post **926** includes a connector **928** that is formed in its superior end. The connector **928** is configured to receive a locking flange associated with an impaction or extraction handle (now shown).

Referring now to FIG. **27**, the tibial insert trial component **806** includes a distal surface **940** configured to engage the tibial base trial component **802**. A posterior channel **942** is defined in the distal surface **940**. The channel is sized and shaped to receive the posterior buttress **870** of the tibial base trial component **802**. The tibial insert trial component **806** also includes an anterior channel **944** that is sized and shaped to receive the anterior buttress **872** of the base trial **802** of the tibial tray **16**. The walls defining the channels **942**, **944** cooperate with the buttresses **870**, **872** to prevent relative rotation between the base trial **802** and the insert trial **806**.

The insert trial **806** also includes a slot **950** sized and shaped to receive the post **926** of the evaluation component **804**. In the illustrative embodiment, the slot **950** is elongated and extends from a posterior end **952** to an anterior end **954**. The slot **950** is curved such that when the base trial **802** and the insert trial **806** are pivoted relative to the evaluation component **804**, the slot defines a curved channel that moves around the post **926**.

In use, the evaluation component **804** is positioned in the passageway **846** of the base trial **802** such that the spikes **886**, **888** may extend into the patient's bone and the teeth

**858** are interdigitated with the teeth **860**. The insert trial **806** is positioned over the post **926** of the evaluation component **804** between the buttresses **870**, **872**. In the illustrative embodiment, the distal-most point of the medial concave surface of the insert trial **806** is positioned on the central axis **866** of the base trial **802**, and, as shown in FIG. **28**, the insert trial **806** engages the superior surface **824** of the base trial **802**. The superior flange **904** of the medial prong **882** of the evaluation component **804** is spaced apart from the shelf surface **854** of the base trial **802** such that a gap **960** is defined between them.

The surgeon may change the rotational position of the base trial **802** (and hence the insert trial **806**) on the patient's tibia. To do so, the surgeon may lift the base trial **802** and the insert trial **806** off of the bone to disengage the teeth **858** from the teeth **860**. The position of the flange **904** relative to the shelf surface **854** limits the amount the surgeon may lift the base trial **802**. With the teeth **858**, **860** disengaged, the surgeon may rotate the base trial **802** and the insert trial **806** relative to the patient's tibia (and hence evaluation component **804**) about the central axis **866** to another rotational position. The surgeon may then lower the base trial **802** back to engagement with the patient's tibia, reengaging the teeth **858**, **860** to lock the base trial **802** into that position.

After selecting the final rotational position, the surgeon may continue the surgical preparation of the patient's tibia and femur in a manner similar to that described above. For example, the surgeon may remove the evaluation component **804** after securing the tibial base trial **802** to patient's tibia using additional fixation pins. The surgeon may attach the guide tower **740** to the base trial **802** to guide the insertion of additional tools, including, for example, a broach **742**, to continue the preparation of the bone. In the illustrative embodiment, the component **804** includes an arm **970** (see FIG. **24**) that prevents the surgeon from attaching the guide tower **740** to the base trial **802** while the component **804** is engaged with the base trial.

While the disclosure has been illustrated and described in detail in the drawings and foregoing description, such an illustration and description is to be considered as exemplary and not restrictive in character, it being understood that only illustrative embodiments have been shown and described and that all changes and modifications that come within the spirit of the disclosure are desired to be protected.

There are a plurality of advantages of the present disclosure arising from the various features of the method, apparatus, and system described herein. It will be noted that alternative embodiments of the method, apparatus, and system of the present disclosure may not include all of the features described yet still benefit from at least some of the advantages of such features. Those of ordinary skill in the art may readily devise their own implementations of the method, apparatus, and system that incorporate one or more of the features of the present invention and fall within the spirit and scope of the present disclosure as defined by the appended claims.

The invention claimed is:

1. An orthopaedic prosthesis system, comprising:
  - a femoral component configured to be coupled to a distal end of a patient's femur, the femoral component including a pair of condyles and a notch extending from an open posterior end that is defined between the pair of condyles,
  - a tibial tray component configured to be coupled to a proximal end of a patient's tibia, and
  - a plurality of tibial insert components configured to be separately attached to the tibial tray component, each

tibial insert component including an anterior end, a posterior end, and medial and lateral concave surfaces shaped to engage the condyles of the femoral component,

wherein the plurality of tibial insert components includes a first tibial insert component and a second tibial insert component,

wherein an anterior-posterior dimension is defined between the anterior end and the posterior end of each of the plurality of tibial insert components, and the anterior-posterior dimension of the first tibial insert component is substantially equal to the anterior-posterior dimension of the second tibial insert component,

wherein the medial concave surface of the first tibial insert component has a distal-most point positioned a first distance from the posterior end of the first tibial insert component when the first tibial insert component is viewed in a first sagittal plane, and

wherein the medial concave surface of the second tibial insert component has a distal-most point positioned a second distance from the posterior end of the second tibial insert component when the second tibial insert component is viewed in a second sagittal plane, the second distance being greater than the first distance.

2. The orthopaedic prosthesis system of claim 1, wherein the femoral component is a first femoral component of a plurality of femoral components, each femoral component having a different configuration from the other femoral components of the plurality of femoral components.

3. The orthopaedic prosthesis system of claim 2, wherein the different configuration of each femoral component includes at least one of size and shape.

4. The orthopaedic prosthesis system of claim 2, wherein the plurality of femoral components includes a second femoral component including a pair of condyles, a notch extending from an open posterior end that is defined between the pair of condyles, and a cam positioned adjacent an anterior end of the notch,

the plurality of tibial insert components includes a third tibial insert component having a post positioned between the medial and lateral concave surfaces, the medial concave surface of the third tibial insert component having a distal-most point positioned a third distance from the posterior end of the third tibial insert component when the third tibial insert component is viewed in a third sagittal plane, the third distance of the third tibial insert component being less than the second distance of the second tibial insert component, and

the second femoral component is configured to rotate relative to the third tibial component between a full extension position and a full flexion position, and the cam and the post are sized, shaped, and positioned so that the cam engages the post when the femoral component is in the full extension position.

5. The orthopaedic prosthesis system of claim 4, wherein the anterior-posterior dimension of the third tibial insert component is substantially equal to the anterior-posterior dimension of the second tibial insert component.

6. The orthopaedic prosthesis system of claim 1, wherein at least one condyle of the pair of condyles of the femoral component includes an arcuate surface having a curved

section that is defined by a continually decreasing radius of curvature when the femoral component is viewed in a third sagittal plane.

7. The orthopaedic prosthesis system of claim 1, wherein: the medial concave surface of each tibial insert component has an anterior edge,

a first height is defined between the anterior edge and the distal-most point of the medial concave surface of the first tibial insert component when the first tibial insert component is viewed in the first sagittal plane, and

a second height is defined between the anterior edge and the distal-most point of the medial concave surface of the second tibial insert component when the second tibial insert component is viewed in the second sagittal plane, the second height being less than the first height.

8. The orthopaedic prosthesis system of claim 7, wherein: the medial concave surface of each tibial insert component has a posterior edge,

a third height is defined between the posterior edge and the distal-most point of the first tibial insert component when the first tibial insert component is viewed in the first sagittal plane, and

a fourth height is defined between the posterior edge and the distal-most point of the second tibial insert component when the second tibial insert component is viewed in the second sagittal plane, the fourth height being equal to the third height.

9. The orthopaedic prosthesis system of claim 1, wherein: the medial concave surface of each tibial insert component has a plurality of radii of curvature,

the plurality of radii of curvature of the first tibial insert component includes a first anterior radius of curvature when the first tibial insert component is viewed in the first sagittal plane, and

the plurality of radii of curvature of the second tibial insert component includes a second anterior radius of curvature when the second tibial insert component is viewed in the second sagittal plane, the second anterior radius of curvature being greater than the first anterior radius of curvature.

10. The orthopaedic prosthesis system of claim 1, wherein:

the tibial tray component includes a first portion of a locking mechanism configured to separately secure each of the plurality of tibial insert components to the tibial tray component in place of the other tibial insert components to form a single tibial component, and

each tibial insert component includes a second portion of the locking mechanism.

11. The orthopaedic prosthesis system of claim 1, wherein:

the medial concave surface and the lateral concave surface of the first tibial insert component are asymmetrical, and

the medial concave surface and the lateral concave surface of the second tibial insert component are symmetrical.

\* \* \* \* \*