



(12) **EUROPEAN PATENT APPLICATION**

(88) Date of publication A3:
06.07.2005 Bulletin 2005/27

(51) Int Cl.7: **G06K 7/10**

(43) Date of publication A2:
10.03.2004 Bulletin 2004/11

(21) Application number: **03020748.4**

(22) Date of filing: **23.02.2000**

(84) Designated Contracting States:
**AT BE CH CY DE DK ES FI FR GB GR IE IT LI LU
MC NL PT SE**

- **Alessi, Nicola**
43100 Bologna (IT)
- **Rigoni, Giacomo**
36012 Asiago (Vicenza) (IT)
- **Oliva, Christiano**
20064 Gorgonzola (IT)

(62) Document number(s) of the earlier application(s) in
accordance with Art. 76 EPC:
00830127.7 / 1 128 315

(74) Representative: **Riccardi, Elisa et al**
Porta, Checcacci & Associati S.p.A.
Via Trebbia, 20
20135 Milano (IT)

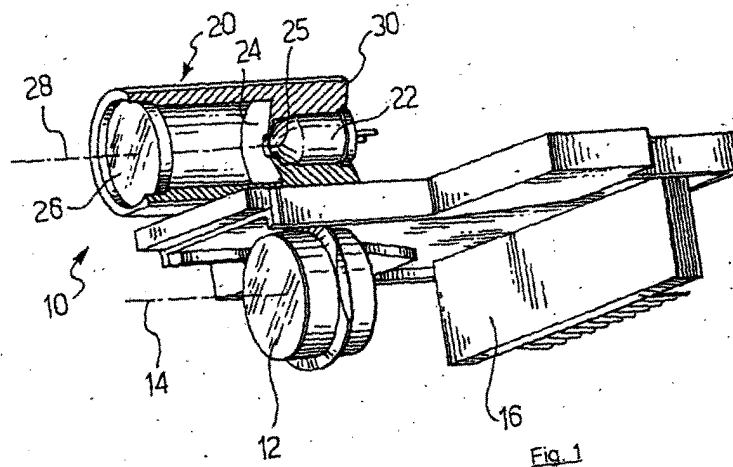
(71) Applicant: **DATALOGIC S.P.A.**
40012 Lippo di Calderara di Reno (Bologna) (IT)

(72) Inventors:
• **Palestini, Valeria**
40012 Calderara di Reno (Bologna) (IT)

(54) **Apparatus and method for reading and decoding optical codes with result indication**

(57) In an apparatus and a method for reading and decoding optical codes, the indication of the decoding result is carried out projecting a luminous figure onto the optical code, that is to say in the position on which the attention of the operator is focused. A discrimination is

made between at least two decoding results, and the luminous figure is distinguishable from the acquisition light pattern for each result. The luminous figure can have an information content also more complex than the simple indication of the end of the decoding.





DOCUMENTS CONSIDERED TO BE RELEVANT			
Category	Citation of document with indication, where appropriate, of relevant passages	Relevant to claim	CLASSIFICATION OF THE APPLICATION (Int.Cl.7)
A,D	<p>PATENT ABSTRACTS OF JAPAN vol. 1996, no. 12, 26 December 1996 (1996-12-26) -& JP 08 202806 A (NIPPONDENSO CO LTD), 9 August 1996 (1996-08-09) * abstract * * paragraphs [0009], [0010] * * paragraphs [0016], [0017] * An automatic translation can be found on the IPDL website of the Japanese Patent Office</p> <p style="text-align: center;">-----</p>	1-3,7, 12,16, 17,19,27	G06K7/10
A	<p>US 5 992 749 A (SEO ET AL) 30 November 1999 (1999-11-30) * figures 1,2,5-8 * * column 5, line 32 - line 58 * * column 6, line 57 - column 8, line 65 *</p> <p style="text-align: center;">-----</p>	1,3,7, 16,19,27	<p>TECHNICAL FIELDS SEARCHED (Int.Cl.7)</p> <p>G06K</p>
A	<p>US 5 140 141 A (INAGAKI ET AL) 18 August 1992 (1992-08-18) * column 3, lines 12-17 * * column 5, line 16 - column 6, line 58; figures 1-3 *</p> <p style="text-align: center;">-----</p>	1-3,7, 16,19	
The present search report has been drawn up for all claims			
Place of search		Date of completion of the search	Examiner
Munich		10 May 2005	Groß, M
<p>CATEGORY OF CITED DOCUMENTS</p> <p>X : particularly relevant if taken alone Y : particularly relevant if combined with another document of the same category A : technological background O : non-written disclosure P : intermediate document</p> <p>T : theory or principle underlying the invention E : earlier patent document, but published on, or after the filing date D : document cited in the application L : document cited for other reasons</p> <p>..... & : member of the same patent family, corresponding document</p>			

2
EPO FORM 1503 03.82 (P04C01)

**ANNEX TO THE EUROPEAN SEARCH REPORT
ON EUROPEAN PATENT APPLICATION NO.**

EP 03 02 0748

This annex lists the patent family members relating to the patent documents cited in the above-mentioned European search report. The members are as contained in the European Patent Office EDP file on
The European Patent Office is in no way liable for these particulars which are merely given for the purpose of information.

10-05-2005

Patent document cited in search report		Publication date	Patent family member(s)	Publication date
JP 08202806	A	09-08-1996	NONE	

US 5992749	A	30-11-1999	JP 9237314 A	09-09-1997
			JP 9237315 A	09-09-1997

US 5140141	A	18-08-1992	JP 2100126 C	22-10-1996
			JP 3099381 A	24-04-1991
			JP 8021056 B	04-03-1996
