



US00D577270S

(12) **United States Design Patent**  
**Roose**

(10) **Patent No.:** **US D577,270 S**

(45) **Date of Patent:** **\*\* Sep. 23, 2008**

(54) **RATCHET HEAD EXTENSION APPARATUS**

(76) Inventor: **Danny T. Roose**, 4350 Sweet Rd.,  
Howell, MI (US) 48843

(\*\*) Term: **14 Years**

(21) Appl. No.: **29/304,990**

(22) Filed: **Mar. 11, 2008**

(51) **LOC (8) Cl.** ..... **08-05**

(52) **U.S. Cl.** ..... **D8/25**

(58) **Field of Classification Search** ..... D8/21-29,  
D8/44, 81-87, 102-107, 98, 99, 55, 93, 94;  
81/60-63.2, 177.1, 177.85, 177.8, 489, 125.1,  
81/121.1, 119-120, 176.1, 186, 177.9, 185.1,  
81/176.2, 165, 170, 3.35, 58, 3.345, 155;  
206/378; 16/429, 441, 124.6; 7/100, 138,  
7/168, 157; D24/146

See application file for complete search history.

(56) **References Cited**

**U.S. PATENT DOCUMENTS**

2,691,316	A *	10/1954	Brame	81/61
4,279,314	A	7/1981	Taub	
D268,805	S *	5/1983	Kowalewicz	D8/27
4,506,567	A	3/1985	Makhlouf	
4,688,454	A *	8/1987	Scull	81/119
5,107,729	A	4/1992	Makhlouf	

D332,039	S	12/1992	Bothwell	
5,339,710	A	8/1994	Deadmond et al.	
5,544,553	A	8/1996	Galat	
6,799,492	B2 *	10/2004	Pearson	81/99
7,062,992	B2 *	6/2006	Spirer	81/57.3
7,168,345	B1 *	1/2007	Hsieh	81/177.6
7,278,338	B2 *	10/2007	Chen	81/58
2006/0288821	A1 *	12/2006	Girard	81/58.1

\* cited by examiner

*Primary Examiner*—Raphael Barkai  
*Assistant Examiner*—Randall H Gholson

(57) **CLAIM**

The ornamental design for a ratchet head extension apparatus, as shown and described.

**DESCRIPTION**

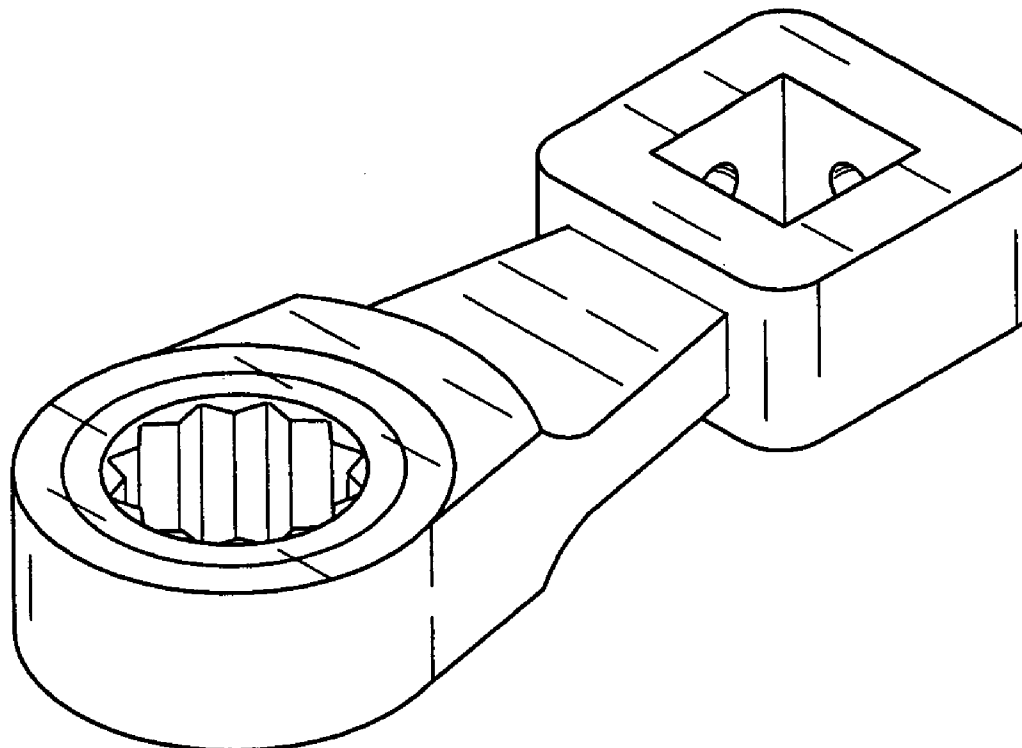
FIG. 1 is a top perspective view of a ratchet head extension apparatus showing my new design;

FIG. 2 is a top view of the ratchet head extension apparatus and which is a mirror image of a bottom view of the same; and,

FIG. 3 is a side elevated view of the ratchet head extension apparatus.

The broken lines shown in FIG. 3 are for illustrative purposes only and form no part of the claimed design.

**1 Claim, 2 Drawing Sheets**



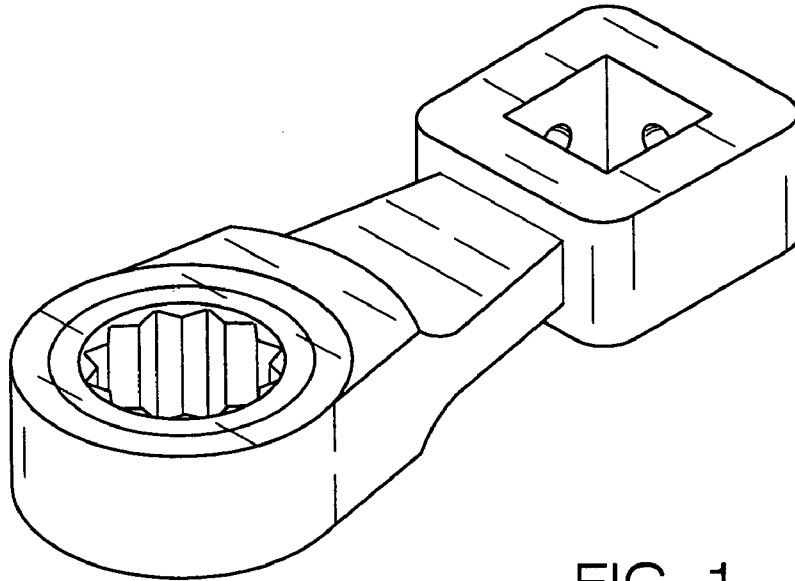


FIG. 1

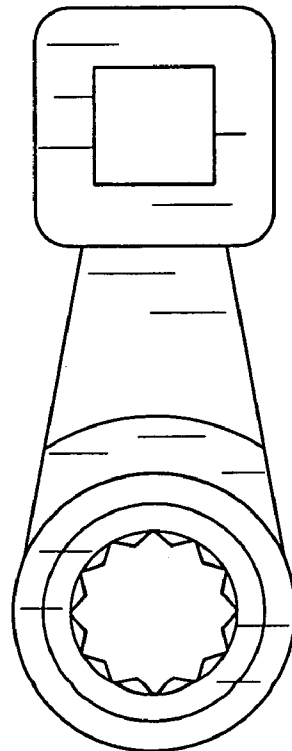


FIG. 2

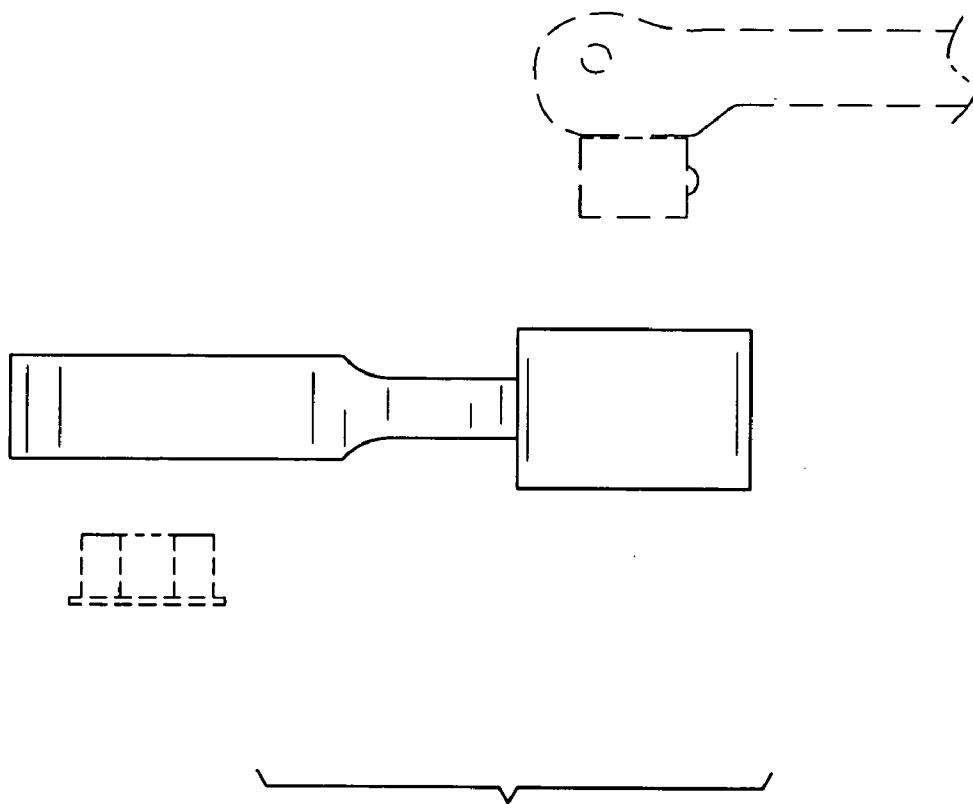


FIG. 3