



US0D1033162S

(12) **United States Design Patent** (10) **Patent No.:** **US D1,033,162 S**  
**Song** (45) **Date of Patent:** **\*\* Jul. 2, 2024**

(54) **STAND FOR WINE ACCESSORIES**

FOREIGN PATENT DOCUMENTS

(71) Applicant: **Zhuhai Cheer Technology CO., LTD.**,  
Zhuhai (CN)

CN 306982875 \* 12/2021

(72) Inventor: **Xiaoxian Song**, Zhuhai (CN)

OTHER PUBLICATIONS

(\*\*) Term: **15 Years**

InnovaGoods 5 Piece Wine Set with Corkscrew and Vinstand Accessories, first available Oct. 2, 2020, Amazon AU, [online], [site visited May 22, 2023], Available from internet URL: <https://www.amazon.com.au/InnovaGoods-Piece-Corkscrew-Vinstand-Accessories/dp/B08GC1ZZJV> (Year: 2020).\*

(21) Appl. No.: **29/788,838**

(Continued)

(22) Filed: **Aug. 4, 2021**

(51) **LOC (14) Cl.** ..... **07-09**

(52) **U.S. Cl.**  
USPC ..... **D7/701**

*Primary Examiner* — Catherine Ho  
*Assistant Examiner* — Natalya M Rapundalo

(58) **Field of Classification Search**  
USPC ..... D7/213, 300, 305, 387, 600.1, 601, 602,  
D7/619.1-623, 701; D3/202;  
D6/512-514, 682, 682.2, 682.5; D9/455,  
D9/751  
CPC ..... A47G 23/02; A47G 23/0208; A47G  
23/0216; A47G 23/0225; A47G 23/0241;  
A47G 23/0266; A47B 73/00; A47B  
73/002; A47B 73/004; A47B 73/006;  
A47B 73/008

(57) **CLAIM**

The ornamental design for a stand for wine accessories, as shown and described.

See application file for complete search history.

**DESCRIPTION**

FIG. 1 is a front perspective view of a stand for wine accessories showing my new design.  
FIG. 2 is a rear perspective view of FIG. 1.  
FIG. 3 is a front perspective view of FIG. 1 shown in an environment of use.  
FIG. 4 is a rear perspective view of FIG. 1 shown in an environment of use.  
FIG. 5 is a front view of FIG. 1.  
FIG. 6 is a rear view of FIG. 1.  
FIG. 7 is a left side view of FIG. 1.  
FIG. 8 is a right side view of FIG. 1.  
FIG. 9 is a top view of FIG. 1; and,  
FIG. 10 is a bottom view of FIG. 1.  
The dashed lines in the drawings are shown for the purpose of illustrating both parts of the stand for wine accessories as well as environmental structure. None of the dashed lines form part of the claimed design.

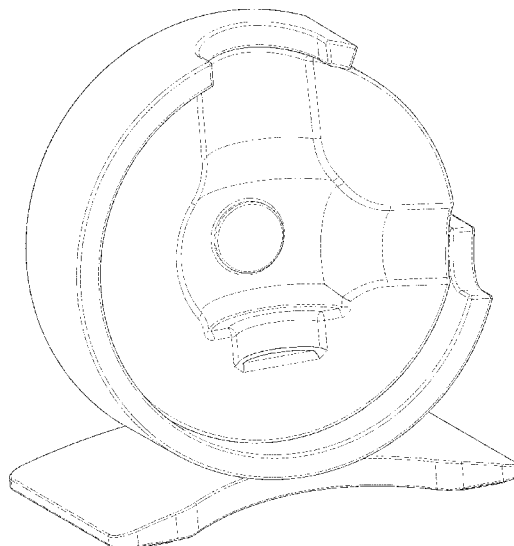
(56) **References Cited**

U.S. PATENT DOCUMENTS

D251,046 S \* 2/1979 Landwehr ..... D7/707  
D252,970 S \* 9/1979 Gutkin ..... D6/680.1  
D261,345 S \* 10/1981 Koepfel ..... D7/621  
D313,132 S \* 12/1990 Masacek ..... A47G 23/02  
D6/682.2  
D540,457 S \* 4/2007 Rozier, Sr. .... D23/410  
7,708,241 B2 \* 5/2010 Wiemholt ..... A47G 23/0241  
248/133  
D621,225 S \* 8/2010 Takagi ..... D7/619.1  
8,567,617 B1 \* 10/2013 Tapager ..... A47G 23/02  
211/74  
D824,263 S \* 7/2018 Hirschhorn ..... D7/300  
D839,948 S \* 2/2019 Chueh ..... D16/242

(Continued)

**1 Claim, 10 Drawing Sheets**



(56)

**References Cited**

U.S. PATENT DOCUMENTS

D873,058 S \* 1/2020 Hajiri ..... A47G 23/0241  
D6/682.2  
D874,872 S \* 2/2020 Godinger ..... D11/131  
D878,449 S \* 3/2020 Yeh ..... D16/242  
D911,790 S \* 3/2021 Wang ..... D7/701  
D999,009 S \* 9/2023 Song ..... D7/306

OTHER PUBLICATIONS

Cheer Moda Mini Wine Station, Lavo Wine, [online], [site visited May 19, 2023], Available from internet URL: <https://lavowine.com/shop/cheer-moda-mini-wine-station-black-bronze/> (Year: 2023).\*

Houdini W2703 Wine Tool Stand, Home Goods Center, [online], [site visited May 22, 2023], Available from internet URL: <https://www.homegoodscenter.com/products/ptr-tapw2703> (Year: 2023).\*

\* cited by examiner

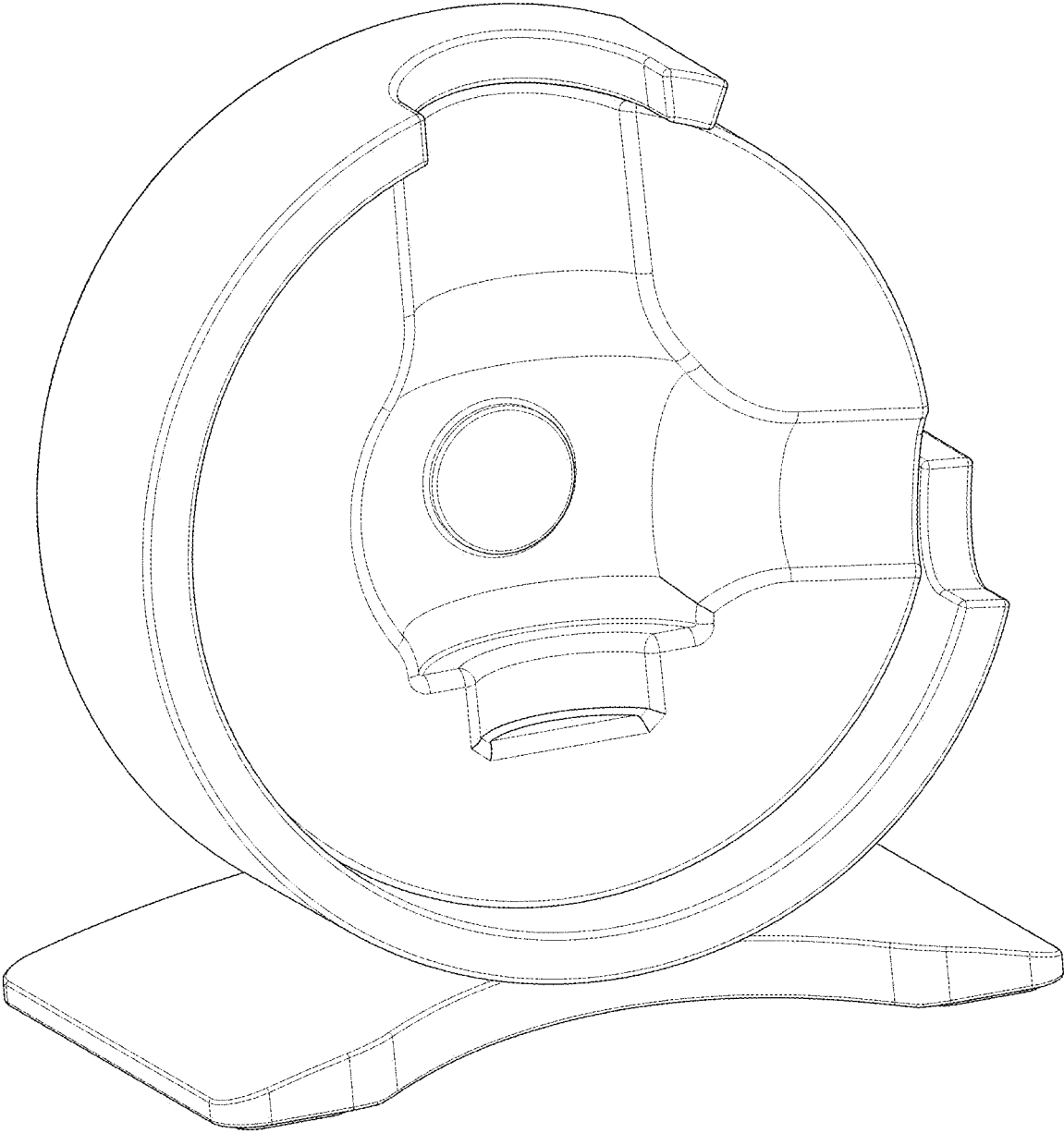


FIG. 1

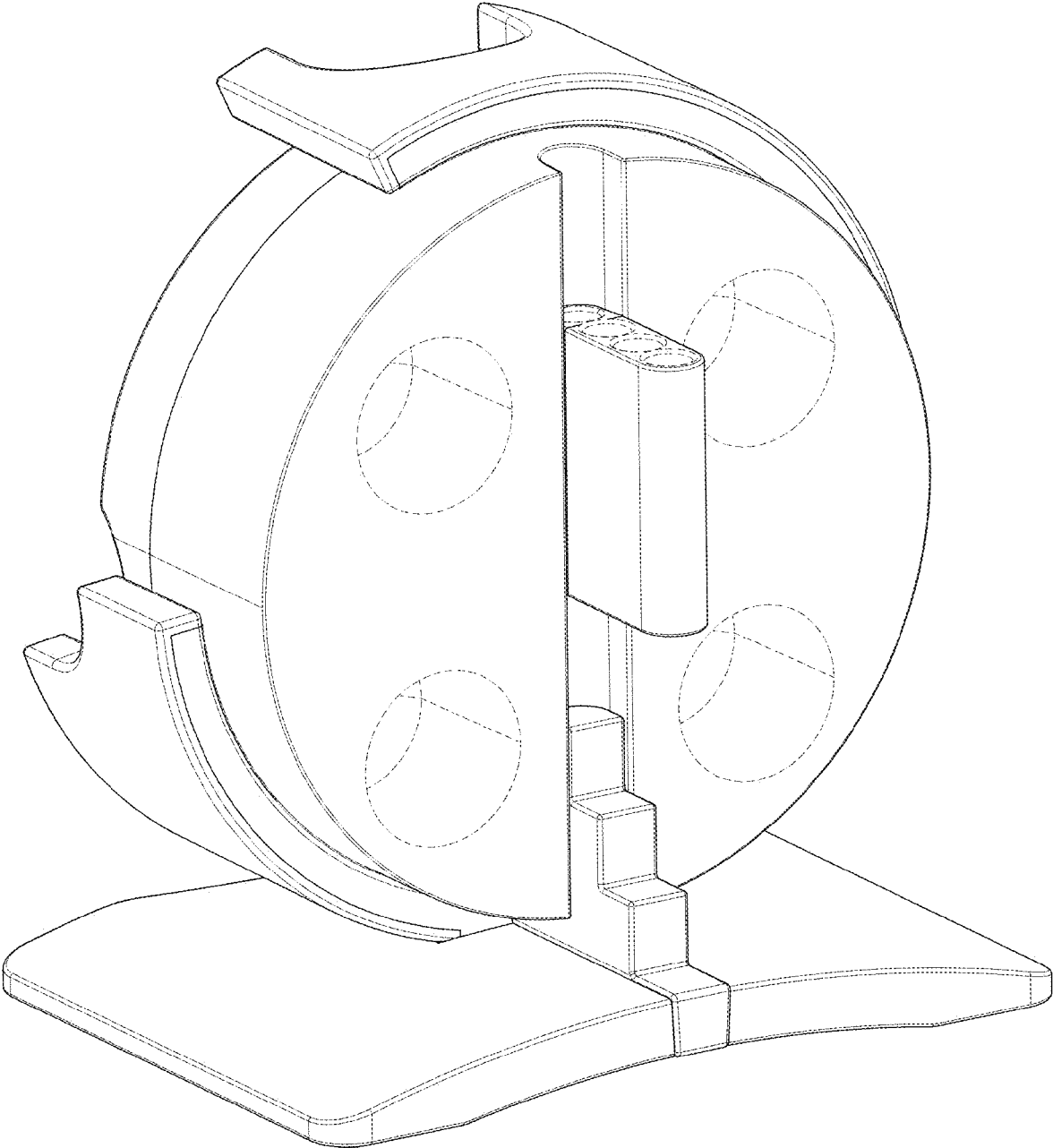


FIG. 2

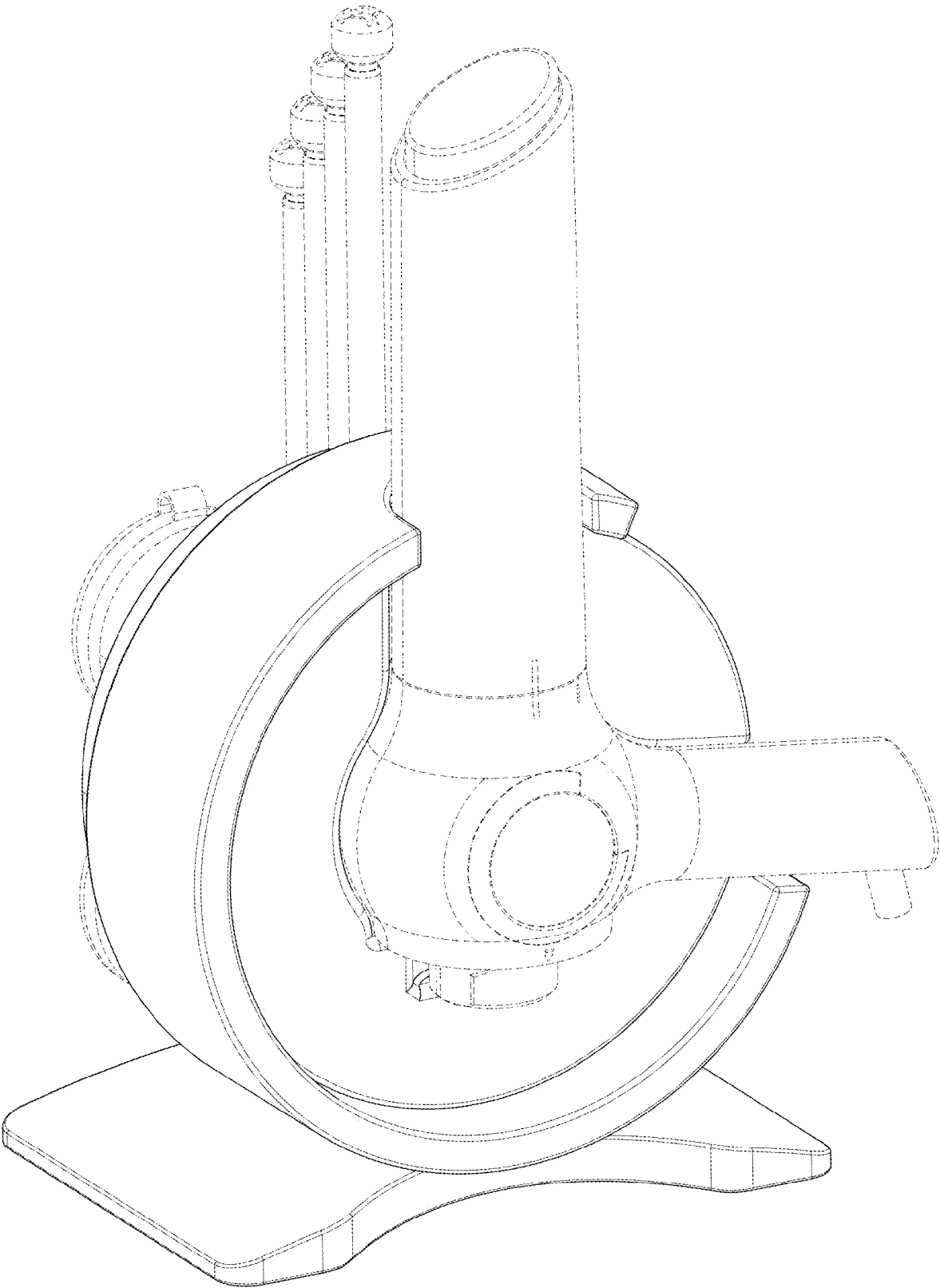


FIG. 3



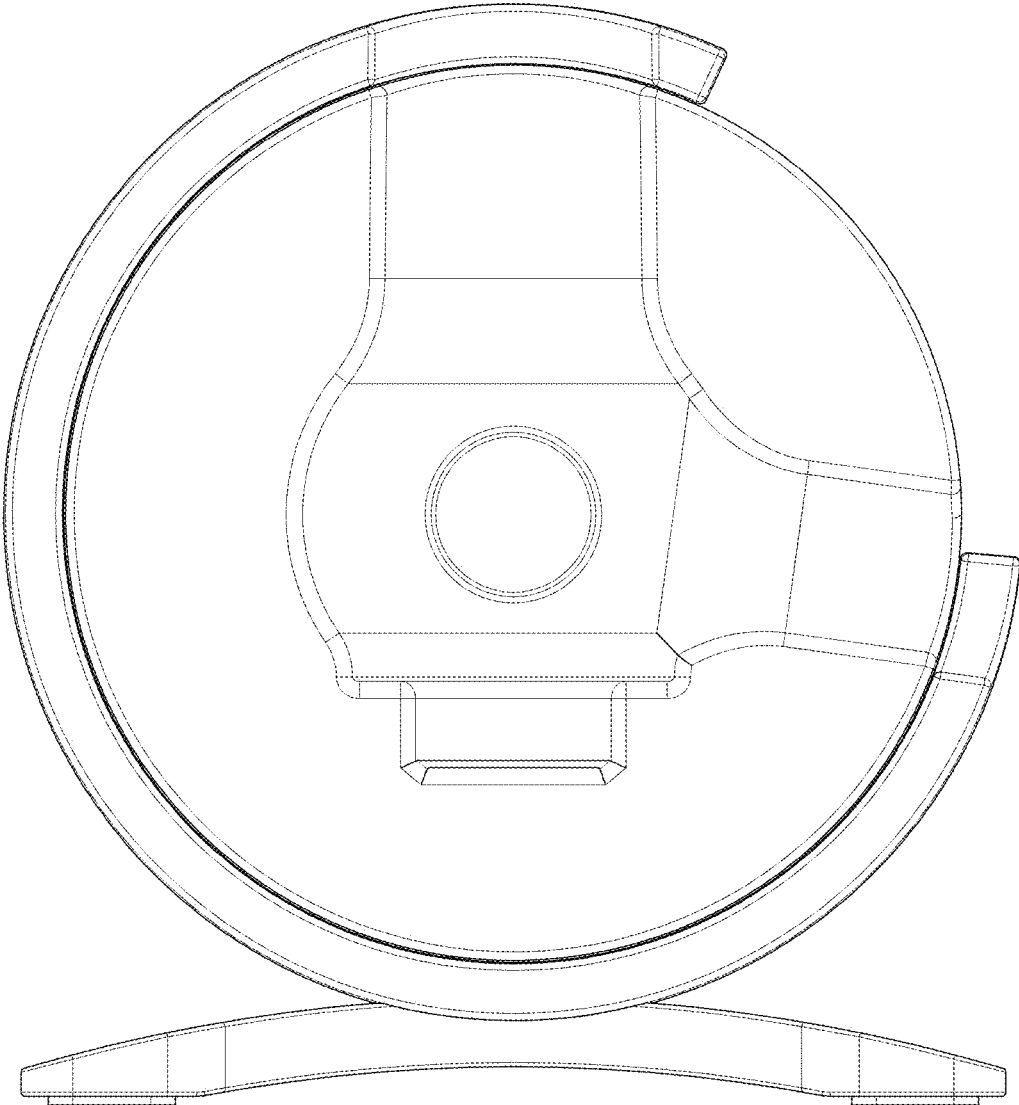


FIG. 5

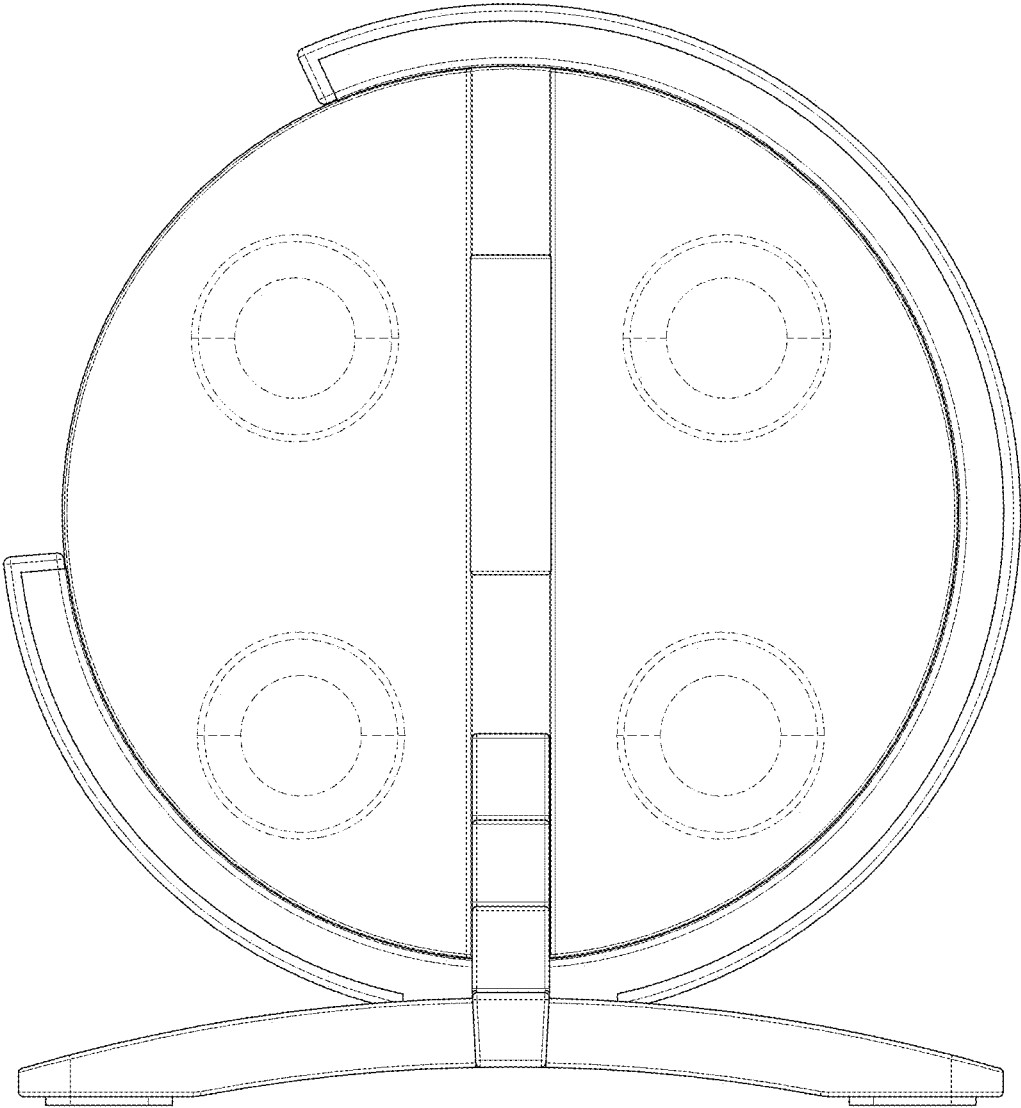


FIG. 6



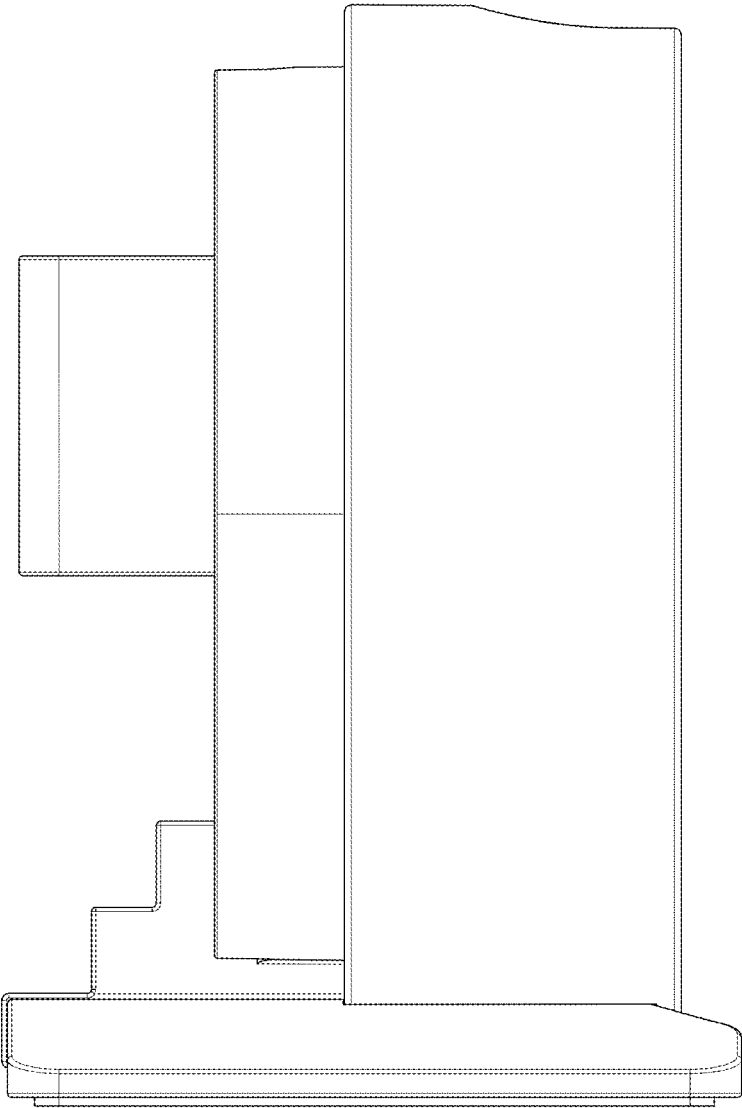


FIG. 7

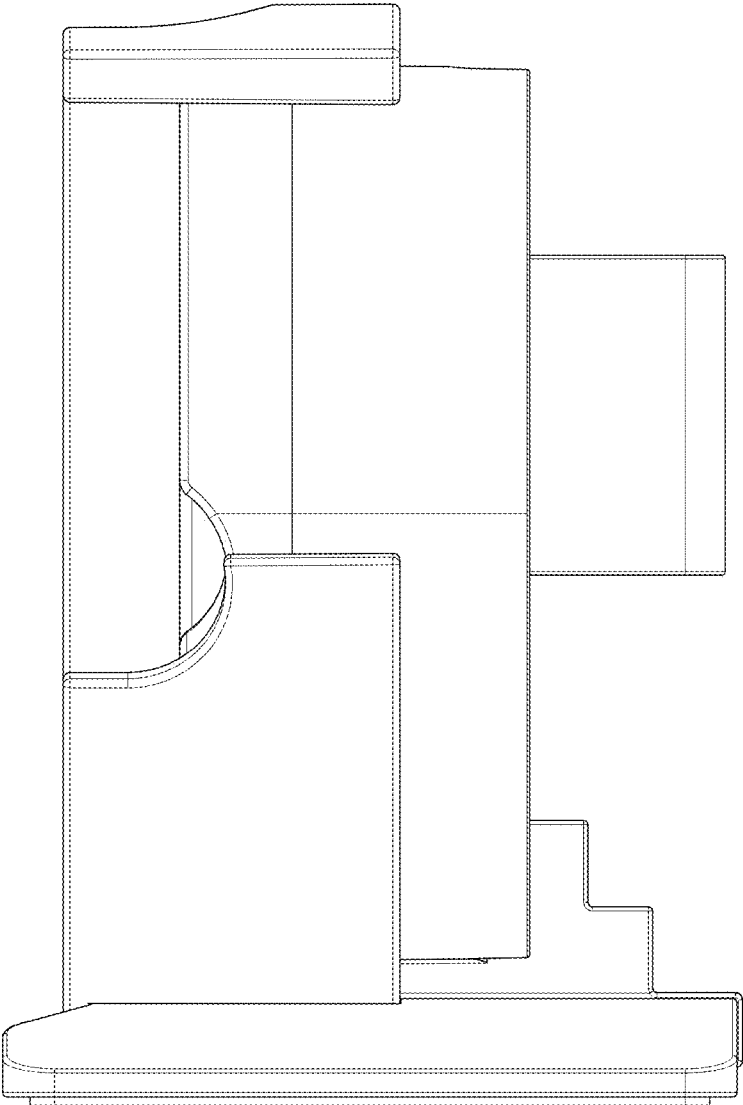


FIG. 8

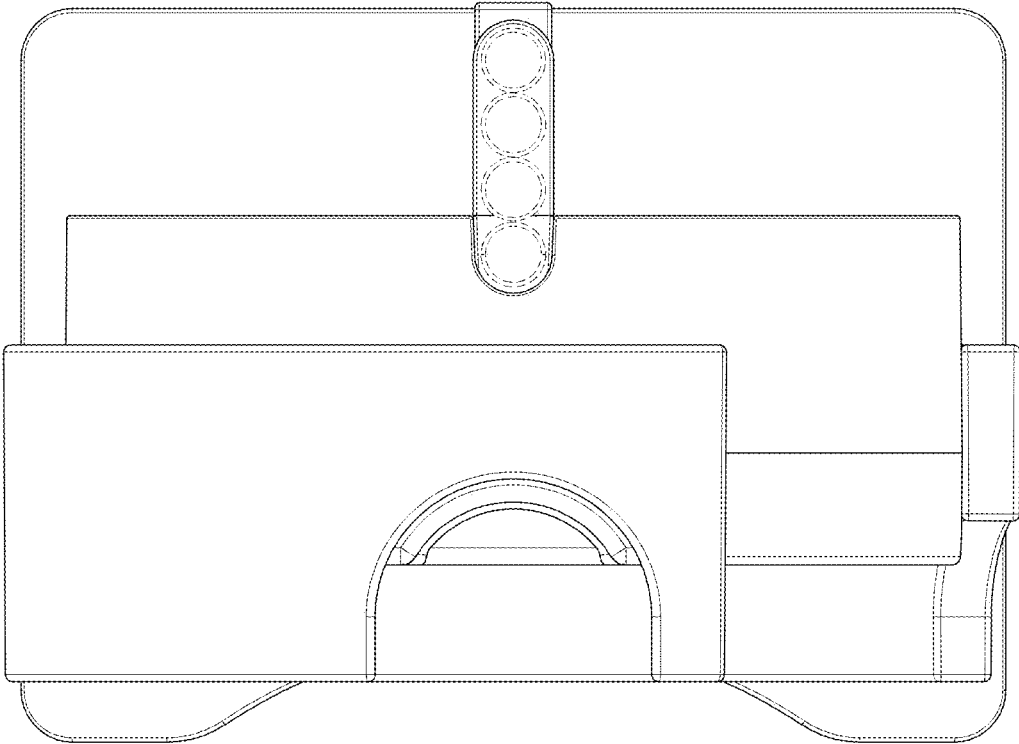


FIG. 9

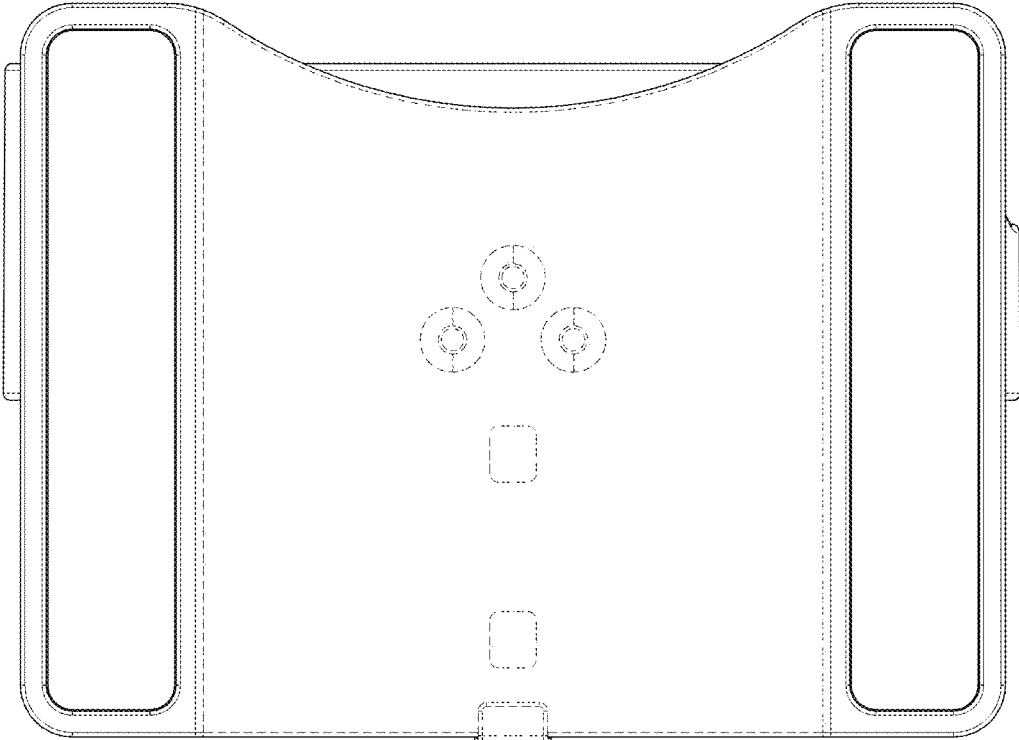


FIG. 10