

(21) Application No: **2407445.2**
 (22) Date of Filing: **05.12.2022**
 Date Lodged: **24.05.2024**
 (30) Priority Data:
 (31) **288992** (32) **14.12.2021** (33) **IL**
 (86) International Application Data:
PCT/IL2022/051289 En 05.12.2022
 (87) International Publication Data:
WO2023/112019 En 22.06.2023

(51) INT CL:
A45F 5/10 (2006.01) **A44C 5/00** (2006.01)
A47K 5/06 (2006.01) **A61M 35/00** (2006.01)
B05B 11/00 (2023.01)
 (56) Documents Cited:
US 5484085 A **US 4781315 A**
US 20180263436 A1 **US 20170318788 A1**
US 20080251539 A1
 (58) Field of Search:
 INT CL **A44C, A45F, A47K, A61M, B05B**
 Other: **Espacenet, Google Patents, Orbit, Similari (AI-based)**

(71) Applicant(s):
Iyar Stav
7 Vitkin St., Tel Aviv 6347407, Israel
 (72) Inventor(s):
Iyar Stav
 (74) Agent and/or Address for Service:
Snipe Chandrahasen LLP
6th Floor, Platform, Tower Point, 44 North Road,
BRIGHTON, East Sussex, BN1 1YR, United Kingdom

(54) Title of the Invention: **A wrist-worn device for dispensing objects into the hand on which it is worn using the same hand**
 Abstract Title: **A wrist-worn device for dispensing objects into the hand on which it is worn using the same hand**

(57) The present invention discloses a wrist/forearm worn dispensing device that is configured to dispense objects into the hand on which it is worn by using the same hand. The device comprising a strap for wearing it around the wrist or forearm, and a storage container that can be filled with dispensable objects through an inlet opening. An activation means extends from the device towards the fingers of the hand on which it is worn in a position allowing the activation means to be engaged by folding of the fingers to press it, thereby triggering a dispensing mechanism disposed within the device to release at least one dispensable object out of the device through an outlet opening and into the palm of the hand on which the device is worn.

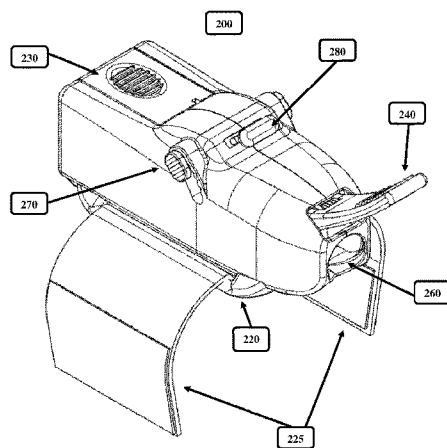


Fig. 2