

(19) World Intellectual Property
Organization
International Bureau



(43) International Publication Date
2 June 2005 (02.06.2005)

PCT

(10) International Publication Number
WO 2005/050650 A1

(51) International Patent Classification⁷: **G11B 27/034**,
27/10, 27/11, H04N 7/173, G11B 19/12

TN, TR, TT, TZ, UA, UG, US, UZ, VC, VN, YU, ZA, ZM,
ZW.

(21) International Application Number:
PCT/IB2004/052421

(84) Designated States (unless otherwise indicated, for every
kind of regional protection available): ARIPO (BW, GH,
GM, KE, LS, MW, MZ, NA, SD, SL, SZ, TZ, UG, ZM,
ZW), Eurasian (AM, AZ, BY, KG, KZ, MD, RU, TJ, TM),
European (AT, BE, BG, CH, CY, CZ, DE, DK, EE, ES, FI,
FR, GB, GR, HU, IE, IS, IT, LU, MC, NL, PL, PT, RO, SE,
SI, SK, TR), OAPI (BF, BJ, CF, CG, CI, CM, GA, GN, GQ,
GW, ML, MR, NE, SN, TD, TG).

(22) International Filing Date:
15 November 2004 (15.11.2004)

(25) Filing Language: English

(26) Publication Language: English

Declaration under Rule 4.17:

— as to applicant's entitlement to apply for and be granted
a patent (Rule 4.17(ii)) for the following designations AE,
AG, AL, AM, AT, AU, AZ, BA, BB, BG, BR, BW, BY, BZ,
CA, CH, CN, CO, CR, CU, CZ, DE, DK, DM, DZ, EC, EE,
EG, ES, FI, GB, GD, GE, GH, GM, HR, HU, ID, IL, IN, IS,
JP, KE, KG, KP, KR, KZ, LC, LK, LR, LS, LT, LU, LV, MA,
MD, MG, MK, MN, MW, MX, MZ, NA, NI, NO, NZ, OM,
PG, PH, PL, PT, RO, RU, SC, SD, SE, SG, SK, SL, SY, TJ,
TM, TN, TR, TT, TZ, UA, UG, UZ, VC, VN, YU, ZA, ZM,
ZW, ARIPO patent (BW, GH, GM, KE, LS, MW, MZ, NA,
SD, SL, SZ, TZ, UG, ZM, ZW), Eurasian patent (AM, AZ,
BY, KG, KZ, MD, RU, TJ, TM), European patent (AT, BE,
BG, CH, CY, CZ, DE, DK, EE, ES, FI, FR, GB, GR, HU,
IE, IS, IT, LU, MC, NL, PL, PT, RO, SE, SI, SK, TR), OAPI
patent (BF, BJ, CF, CG, CI, CM, GA, GN, GQ, GW, ML,
MR, NE, SN, TD, TG)

(30) Priority Data:
03104252.6 18 November 2003 (18.11.2003) EP

(71) Applicant (for all designated States except US): **KONIN-
KLIJKE PHILIPS ELECTRONICS N.V.** [NL/NL];
Groenewoudseweg 1, NL-5621 BA Eindhoven (NL).

(72) Inventors; and

(75) Inventors/Applicants (for US only): **KELLY, Declan, P.**
[IE/CN]; c/o Prof. Holstlaan 6, NL-5656 AA Eindhoven
(NL). **WANG, Bei** [CN/CN]; c/o Prof. Holstlaan 6,
NL-5656 AA Eindhoven (NL).

(74) Agents: **GROENENDAAL, Antonius, W., M.** et al.; Prof.
Holstlaan 6, NL-5656 AA Eindhoven (NL).

(81) Designated States (unless otherwise indicated, for every
kind of national protection available): AE, AG, AL, AM,
AT, AU, AZ, BA, BB, BG, BR, BW, BY, BZ, CA, CH, CN,
CO, CR, CU, CZ, DE, DK, DM, DZ, EC, EE, EG, ES, FI,
GB, GD, GE, GH, GM, HR, HU, ID, IL, IN, IS, JP, KE,
KG, KP, KR, KZ, LC, LK, LR, LS, LT, LU, LV, MA, MD,
MG, MK, MN, MW, MX, MZ, NA, NI, NO, NZ, OM, PG,
PH, PL, PT, RO, RU, SC, SD, SE, SG, SK, SL, SY, TJ, TM,

Published:

— with international search report
— before the expiration of the time limit for amending the
claims and to be republished in the event of receipt of
amendments

For two-letter codes and other abbreviations, refer to the "Guid-
ance Notes on Codes and Abbreviations" appearing at the begin-
ning of each regular issue of the PCT Gazette.

(54) Title: METHOD AND SYSTEM FOR RENDERING READ-ONLY STORAGE MEDIUM VIRTUALLY RE-WRITABLE

(57) Abstract: A method (1,2) of and system (3) for rendering a removable read-only storage medium (30) virtually re-writable by providing a unique medium identifier (43) for the read-only storage medium (30) and by providing a link to a networked storage area of a mass storage device, wherein access to said storage area is granted by said medium identifier. According to one embodiment access to said network storage area is limited to a restricted area, wherein the writable option only works within the restricted area. According to another embodiment, a Blu-Ray ROM disc is linked to user-specific contents on a network storage device. This allows the Blu-Ray ROM disc, being identified by a unique medium identifier, e.g. based on a barcode in the Burst Cutting Area (42) of the disc, to have an identical user defined behaviour on arbitrary players connected to the network.

WO 2005/050650 A1

Method and system for rendering read-only storage medium virtually re-writable

This invention pertains in general to the field of storage media, and more particularly to read-only storage media, and even more particularly to rendering removable read-only storage media virtually re-writable.

Removable storage media offer more and more storage capacity. An example for this development is the evolution from CD to DVD and further to DVR, also called Blu-
5 Ray disc. These disc-shaped digital storage media are generally provided in three versions, namely erasable re-writable (RW), write-once (R) and read-only (ROM). However, for many applications, the read-only version is preferred. This is caused by e.g. cheaper manufacturing of large volumes having stored identical content, commonly copyrighted or user-specific content. A further reason is that devices capable of both writing to, i.e. recording content, and
10 reading from such storage media are more complicated and costly than devices for solely reading content from these storage media. However, for certain applications, it would be advantageous if user specific information could be stored even on a read-only storage medium.

A solution to this problem has been proposed in EP-A-0591636, wherein a
15 removable magneto-optical disk medium is disclosed. This storage medium is physically subdivided into a partial ROM and a partial RAM region. This solution provides a tailor-made storage medium and involves expensive manufacturing. Furthermore a special non-standard drives is needed for accessing both the ROM and RAM data of this storage medium.

Thus, the problem to be solved by the invention is to provide a removable
20 storage medium being on the one hand physically read-only and on the other hand providing to a user of the storage medium the appearance of a writable storage medium, i.e. the user may for instance apparently access data, modify data or add data to and from the storage medium, although the storage medium in practice is read-only. Furthermore these modifications should be permanent from a user point of view, i.e. changes once performed
25 should be remembered by the system, independently from the player on which the removable read-only storage medium is accessed.

The present invention overcomes the above-identified deficiencies in the art and solves at least the above identified problems by providing a method, a system and a computer-readable medium according to the appended patent claims.

The general solution according to the invention is to render a removable read-
5 only storage medium virtually re-writable. A unique medium identifier is provided the removable read-only storage medium and a link to a networked storage area of a mass storage device is provided. Access to said storage area is granted by means of said medium identifier. Generally, the invention applies to all such media being read-only, either physically, i.e. the above-mentioned types (R) and ROM, or logically, where e.g. a flag on the
10 media prevents writing to areas on the media having stored content.

More particularly, a pure ROM disc (Read Only Memory) is used as if it were a RW disc. According to the embodiment the RW part is indeed of unlimited capacity. Preferably this is established by a wireless access to the network.

According to aspects of the invention, a method, a system and a computer-
15 readable medium for rendering a removable read-only storage medium virtually re-writable are disclosed.

Further objects, features and advantages of the invention will become apparent
20 from the following description of embodiments of the present invention, reference being made to the accompanying drawings, in which

Fig. 1 is a schematic flowchart illustrating an embodiment of the invention;

Fig. 2 is a schematic flowchart illustrating another embodiment of the
invention;

25 Fig. 3 is a schematic diagram illustrating an exemplary system implementing an embodiment of the invention;

Fig. 4 is a schematic view illustrating a unique identifier of a removable read-
only storage medium; and

30 Fig. 5 is a schematic diagram illustrating a computer-readable medium according to the invention.

Generally, an SFFO (Small Form Factor Optical) disc is characterized as a portable, high storage capacity and low cost format. The market studies and surveys on SFFO

show universal interest among consumers for SFFO due to its advantages. Many potential applications around SFFO are envisioned.

One application is to use an SFFO ROM disc as a combined ticket/guidebook for e.g. a museum, theme park, or in general events having a controlled admission, usually associated with an admission fee, such as sports events. In particular SFFO may be used as a season ticket re-usable during different occasions, so the express intention that the user returns repeatedly is involved.

According to a first particular embodiment of the invention, such an SFFO ROM disc ticket is enhanced with user-specific information, virtually rendering the disc ticket re-writable (RW). The embodiment aims to provide advanced features in such a situation that usually requires a hybrid ROM/RW disc, yet with only a pure ROM disc. This approach also provides a number of advantages for the operator of the particular attraction, as will be apparent from the description below.

Basically, the disc ticket is published on a pure ROM disc (Read Only Memory) but the user uses the disc as if it were a RW disc. According to the embodiment the RW part is indeed of unlimited capacity, which is a clear advantage over any removable storage medium, which will have a limited storage capacity in any case, no matter how high. This is implemented by storing all user information on a network. Storage capacity is easily adapted to the current needs of the user or application the user is running. This network is accessed when the user utilizes the disc ticket. Preferably this is established by a wireless access to the network.

In general the network is accessed via a connection offering a sufficiently high bandwidth in order to be not too slow. One possibility is to use a mobile network, e.g. a mobile phone network such as WCDMA or GSM. However, in specific cases mobile networks may be too expensive to use. Furthermore, it may not be desired that the additional user-specific information can be accessed from any location, as the e.g. the collection of additional user-specific information is restricted to the area, to which the ticket admits entrance. For instance, a museum disc ticket only allows collection of information within the premises of the museum, e.g. tracking which pieces of art the disc ticket user has been watching. In this case a less expensive alternative is that the system uses a local wireless network, such as a WiFi network (WiFi = Wireless Fidelity, the trade mark of the ISO 802.11b norm) provided by the access administrator offering the disc ticket at the site/premises to which the disc ticket gives admission to, e.g. a museum, theme park or football stadium. Thus, within this restricted area this high bandwidth WiFi network is

provided without high cost for the user, as the user usually will pay for this feature e.g. as part of the ticket, and not the network usage. In this way, the user can easily add content to the disc, wherein the content is stored on the high bandwidth network within the restricted area for which the disc ticket is relevant. Access to the network is established by using a disc-
5 ticket read-out device. This device may be a standard SFFO reader implemented in a network access device, such as a personal device handed out to the user at the entrance of the access site. A more detailed description of such devices is given below. In general, an SFFO disc as a portable, high capacity and low cost storage medium is well suitable for use in mobile hand-sets and other portable devices, such as PDAs or tablet-PCs.

10 This embodiment will now be further elucidated with reference to Fig. 1, wherein a method 1 for rendering an SFFO ROM disc ticket is from a user point of view made virtually re-writable. The method 1 comprises the following steps beginning with starting point 10. In step 10, a user receives a disc ticket, e.g. when entering for instance a theme park. The disc ticket is of the SFFO ROM type having stored thereon specific
15 information concerning the theme park. Having entered the theme park, the user utilizes disc ticket in step 11, e.g. at different attractions of the theme park. When the user utilizes the disc ticket, the disc ticket is identified, e.g. by a user id entered by the user or by an identifier of the disc itself with a unique id. In step 14 the user modifies the content of the disc ticket, e.g. by adding content, such as images taken. The added user-specific content is in step 15
20 transmitted to and/or from e.g. a handheld device, the user utilizes the disc ticket with, via a network, preferably a wireless network such as the above-mentioned WiFi-type. At a location remote of said user and handheld device, a storage area is in step 16 assigned to said disc ticket on a networked read-writable mass-storage medium, e.g. on a remote central server being connected to the wireless network. The storage area for storing said user-defined
25 content is accessed in step 17, together with link information that this content refers to the disc-ticket having the unique id, on a read-writable mass storage medium of a device connected to said network. Alternatively to modifying content (step 14), the user may accesses user-defined content of said uniquely identified disc ticket previously stored on the mass storage medium. In this case content is transmitted from the mass-storage medium to
30 the handheld device of the user, and the user has the virtual impression of using a read-writable disc ticket as user-defined content is virtually accessible from it.

Visitors who have the disc ticket for e.g. a theme park or museum may already possess, or alternatively be provided, such an above-mentioned handheld device, to read the data on the disc ticket. At the same time, the device should allow the visitors to add more

content to the disc, as mentioned above. Such content addition may comprise annotations the user makes for each exhibit within a museum and the photos they take in some interesting areas. The device can be either an SFFO dedicated device or combined with other portable devices, such as PDA, mobile phone, etc. These devices generally have the following

5 features:

- An SFFO disc drive for disc reading data from the disc, error detection and correction operations, etc.
- An Internet connection wired or wireless and e.g. a web browser. In case the visitors accesses the park/museum website and downloads content from the web, the device
10 provides web-connectivity either wired or wireless. A simple web browser is generally provided on the device in order to navigate web content.
- A simple real time authoring tools for adding new content in order to allow the visitors to add their own content that is linked to appropriate content locations. The real-time authoring tool is provided on the device, and the tool has a user-friendly interface and is
15 easy to operate.
- SFFO disc player means for content navigation in order to browse the content on the disc either before during, or after the visit. The navigator usually supports menus, playlists, user interactions, etc.
- A display screen or touch screen for menu operation and content navigation / display,
20 which may be a touch screen, allows the user to type input. Otherwise the device may have other input means, such as a keyboard for typing.
- Optionally video, audio recording and camera function are provided by the device.

25 At home the user may also access the user-specific network content through a standard Internet connection, preferably with a broadband connection, being sufficiently fast for the expected usage. The user may also cache the content on their PC. This offers the advantage for the operator of the access site, such as a tourist attraction, that the user's personal annotations/pictures etc. are stored on the operators system and so this naturally
30 brings the user back to their web site. In this way a sticky user interaction is provided allowing e.g. new attractions to be promoted easily.

As well as storing the user's own information, this system may also be used to update parts of the ROM content on the disc ticket.

A few examples of what is possible with such a disc ticket are given hereinafter. The disc ticket may be an admission ticket for a theme park. At the theme park the user may add their own photos and link these photos to the location where they were taken or add their own comments/annotations.

5 Presenting a ROM disc as if it were a RW disc to the user by storing all the written parts on a network, allows the user to delete, annotate and add content to the disc. The presentation of the ROM and RW parts to the user is provided to be seamless, so the user does not perceive a difference to a RW disc. This feature is limited to a restricted area where the disc is relevant and within this limited area a high bandwidth wireless network, e.g. WiFi,
10 is supplied to support this feature. The same network content may also be presented through the fixed Internet so users can see their personal additions at home.

While in the theme park the user needs a device that can read the disc ticket/guide and connect to the local WiFi network. When the user first enters the park, or least the coverage area of the WiFi network, the system identifies the user. This may for
15 instance be implemented by a unique disc id, by the user's device identifying them, or by the user explicitly entering a username and password. Once the device has connected it starts displaying the content on the hybrid disc, i.e. the ROM part plus the changes stored on the network. Preferably, the system initially only transfers the changes to the start-up part of the disc, such as a contents or main page for a guide, such that not all the network updates are
20 required and so start-up does not take too long time. When the user moves through the park and follows the guide on the disc, the system may transfer required updates to the disc content. In all cases this is done without user intervention.

To improve performance, the system may predict which parts the user will look at next and pre-cache them in the local device. This may be done, either by the device
25 requesting them, and so could adapt to user's pattern of behaviour. Alternatively this may be performed based on a pattern of behaviour of a set of users. In the case of a guide to a museum/theme park, the users physical location gives an indication of which information he is likely to look at next so the device can pre-cache the network updates for all surrounding parts of the museum/theme park. In addition the system can take the user's logical location,
30 i.e. the part of the museum/theme park that the user is currently viewing, and based on that information, cache the parts that are physical close to the current logical position.

The network is dedicated to this application so neither the operator or the user is paying for individual transfers so in general the network utilises all available bandwidth to

improve the user performance. If the network becomes overloaded the system may gracefully degrade.

Updating the information is generally only possible within the restricted area, e.g. the WiFi network covering the theme park/museum, but the user may also connect to a web site and again see his disc as re-writable.

In another embodiment of the invention, a DVD or a Blu-Ray ROM disc is provided having a unique identifier for every disc. This identifier is for instance based on the Burst Cutting Area (BCA) 41 of a DVD/Blu-Ray ROM disc 40, as illustrated in Fig. 4. The BCA is an annular area 42 within the disc hub where a bar code 43 is written for additional information, such as serial numbers of the discs. The BCA may be written during mastering and will be common for all discs from that master or, more usually, will be written using a YAG laser to 'cut' the barcode into the reflective layer of the finished disc. A non-limiting example for the data stored in the BCA is e.g. in the range from 12 bytes to 188 bytes in steps of 16 bytes. The BCA, providing such a unique media ID, is usually used for copy prevention systems. However, according to the present embodiment of the invention, the identifier supplied by the Burst Cutting Area is used to identify the read-only disc and to associate network-stored information with unique discs.

As well as including BCA, a Blu-ray ROM application includes Internet Connectivity. Using the BCA and the Internet link allows a disc author to make the ROM disc re-writable by storing the modifications on the Internet using the BCA to identify the particular disc of a title. This means the user can modify the disc on one player and the modifications will be seen on any other networked player, so the disc seems re-writable to the user. This is controlled by an application on disc. For example, the disc could include a Java Application that allows the user to edit the content i.e. define new PlayLists. These PlayLists will then appear in the menu system like authored PlayLists. Similarly, the user may configure the appearance of the menus. For example, the user chooses a favourite character and that character helps the user to navigate through menus. Another case where the invention applies is where users annotate ROM discs, e.g. at home for e.g. cook book, and the annotations are stored on a network device, in this case the annotations may be shared, e.g. with friends/family through e.g. the Internet.

The implementation is as follows. The disc and the applications on them links to a designated web site, which is determined by the content author. This web site stores the modifications according to disc title indexed by BCA. Known techniques such as hash tables may be used to optimise searching.

The above-mentioned embodiment is now further explained by reference to Fig. 2. The method 2 starts at starting point 20, at which a Blu-Ray ROM disc is used in e.g. a Blu-Ray player, in order to access content stored on the disc. The content is for instance a movie having a sequence of scenes. In step 21 the Blu-Ray ROM disc is identified, e.g. by means of the above-mentioned code stored in the BCA. In step 22, the content of the Blu-Ray ROM disc is in step 23 either modified with user-specific information, e.g. the PlayList is redefined, or the disc is played with consideration of previously user-defined content. In both cases, a designated Internet web-site is accessed by said player via an Internet network connection accessible by said player. At the website, a read-writable storage area is in step 24 accessed by means of said identity information of the disc. This storage area does either store new or amended user-specific information related to the specific disc, or previously stored user-specific information is retrieved from this storage area.

In the case that the medium identifier is a user id, as mentioned above, a group of users who share the same network storage space may be defined. This allows the users to share the same changes. More specifically, a group of users having different individual user ids may share the same network storage area, such that when one user of the group of users modifies the content in said network storage area, all remaining users will experience the same changes when using identical copies of said read-only storage medium.

According to an embodiment of another aspect of the invention, Fig. 3 illustrates a system 3 for rendering a removable read-only storage medium 30 virtually re-writable. The system comprises a handheld device 31 having means 32 for providing a unique medium identifier for said removable read-only storage medium 30, for instance an input means, such as a touch-screen or a keyboard, for entering a user id, or a reader for a BCA-code. Furthermore, the handheld device 31 has means 33 for providing a link to a networked storage area of a mass storage device 35, namely a network card allowing access to the networked storage area via a network connection 34. Access to said storage area is granted by means of said medium identifier.

A computer-readable medium according to an embodiment of a further aspect of the invention is shown in Fig. 5. The computer-readable medium 5 has embodied thereon a computer program for processing by a computer 50. The computer program comprising code segments for rendering a removable read-only storage medium virtually re-writable. A first code segment 51 provides a unique medium identifier for said removable read-only storage medium, and a second code segment 52 provides a link to a networked storage area of a mass

storage device, wherein access to said storage area is granted by means of said medium identifier.

Applications and use of the above described method, system and computer-readable medium concerning virtually re-writable removable read-only storage media according to the invention are various and include exemplary fields such as the above-mentioned disc tickets for theme parks, events etc., personalized storage media that are only readable but still have user-specific information, such as DVD players, software distributed on read-only media, still being up-to-date, etc. Moreover, the invention also applies to write-once discs (R), or also to storage media that have content, which is logically ROM so there is a flag on the disc to indicate that it should not be changed even though the disc is RW.

The present invention has been described above with reference to specific embodiments. However, other embodiments than the preferred above are equally possible within the scope of the appended claims, e.g. different wireless networks or disc reading devices than those described above, performing the above method by hardware or software, etc.

Furthermore, the term "comprises/comprising" when used in this specification does not exclude other elements or steps, the terms "a" and "an" do not exclude a plurality and a single processor or other units may fulfil the functions of several of the units or circuits recited in the claims.

The invention can be summarized as follows:

A method of and system for rendering a removable read-only storage medium (30) virtually re-writable by providing a unique medium identifier for the read-only storage medium and by providing a link to a networked storage area of a mass storage device, wherein access to said storage area is granted by said medium identifier. According to one embodiment access to said network storage area is limited to a restricted area, wherein the writable option only works within the restricted area. The restricted area is in this case, for example, a museum or a theme park and the storage medium for example an SFFO disc ticket. According to another embodiment, a Blu-Ray ROM disc is linked to user-specific contents on a network storage device. This allows the Blu-Ray ROM disc, being identified by a unique medium identifier, e.g. based on a barcode in the Burst Cutting Area (42) of the disc, to have an identical user-defined behaviour on arbitrary players connected to the network.

CLAIMS:

1. A method of rendering a removable storage medium virtually re-writable, on which storage medium information is stored read-only, said method comprising the steps of providing a unique medium identifier for said removable read-only storage medium,
5 providing a link to a networked storage area of a mass storage device, wherein access to said storage area is granted by means of said medium identifier.
2. The method according to claim 1, wherein said storage medium is an optical disc.
10
3. The method according to claim 2, wherein said optical disc is chosen from a CD, DVD, SFFO disc, Blu-Ray disc.
4. The method according to claims 1 to 3, wherein said link is a wireless access
15 link to a network.
5. The method according to claim 4, wherein said wireless access link only is operative within a restricted area.
- 20 6. The method according to claims 1 to 5, wherein said storage medium is a ticket having stored thereon information concerning a physical site said ticket providing access to.
7. The method according to claim 6, wherein said physical site is a theme park,
25 museum or event location.
8. The method according to claims 1 to 7, said method comprising modifying the content in said storage area when using said storage medium, said modifying step comprising

virtually changing, adding or deleting content to content stored on said removable storage medium.

9. The method according to claims 1 to 8, wherein said medium identifier is a user id provided by a user when accessing said storage medium.

10. The method according to claim 9, wherein a group of users having different individual user ids share the same network storage area, such that when one user of the group of users modifies the content in said network storage area, all remaining users will experience the same changes when using identical copies of said read-only storage medium.

11. The method according to claims 2 to 8, wherein said medium identifier is a unique identification code in the Burst Cutting Area (BCA) of the optical disc.

12. A system (3) for rendering a removable read-only storage medium (30) virtually re-writable, said system (3) comprising means (32) for providing a unique medium identifier for said removable read-only storage medium (30), means (33) for providing a link to a networked storage area of a mass storage device (35), wherein access to said storage area is granted by means of said medium identifier.

13. The system (3) according to claim 12, wherein a portable disk-based information device (31) comprises a reader for said read-only storage-medium (30), said portable device (31) being operably connected to said mass storage device (35) via a network (34).

14. The system (3) according to claim 13, wherein said network (34) is a wireless communication network.

15. The system (3) according to claim 14, wherein said wireless communication network is a local network having a range limited to a site.

16. A computer-readable medium (5) having embodied thereon a computer program for processing by a computer (50), the computer program comprising code segments for rendering a removable read-only storage medium virtually re-writable, comprising a first code segment (51) for providing a unique medium identifier for said removable read-
5 only storage medium, and
a second code segment (52) for providing a link to a networked storage area of a mass storage device, wherein access to said storage area is granted by means of said medium identifier.

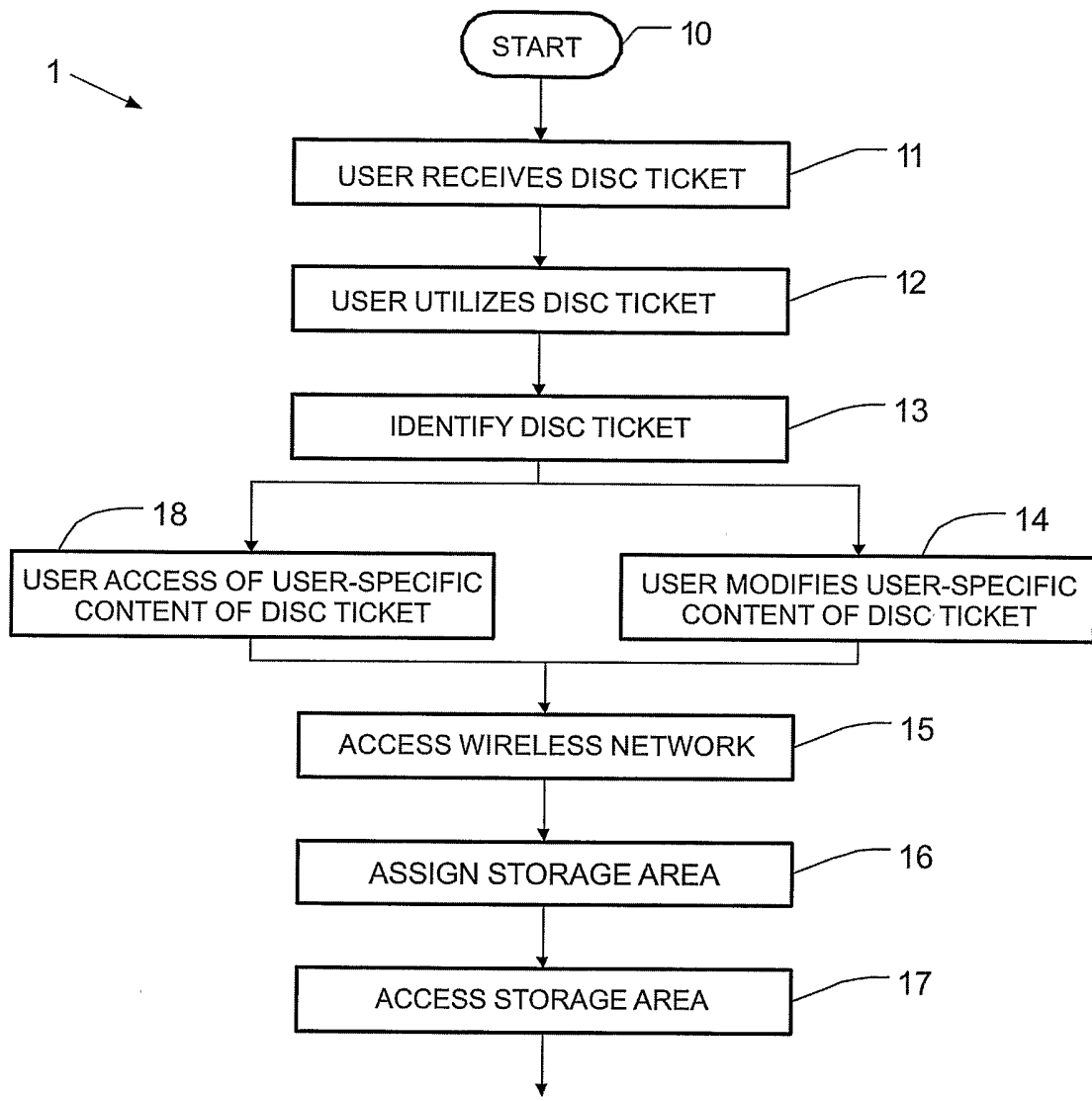


FIG.1

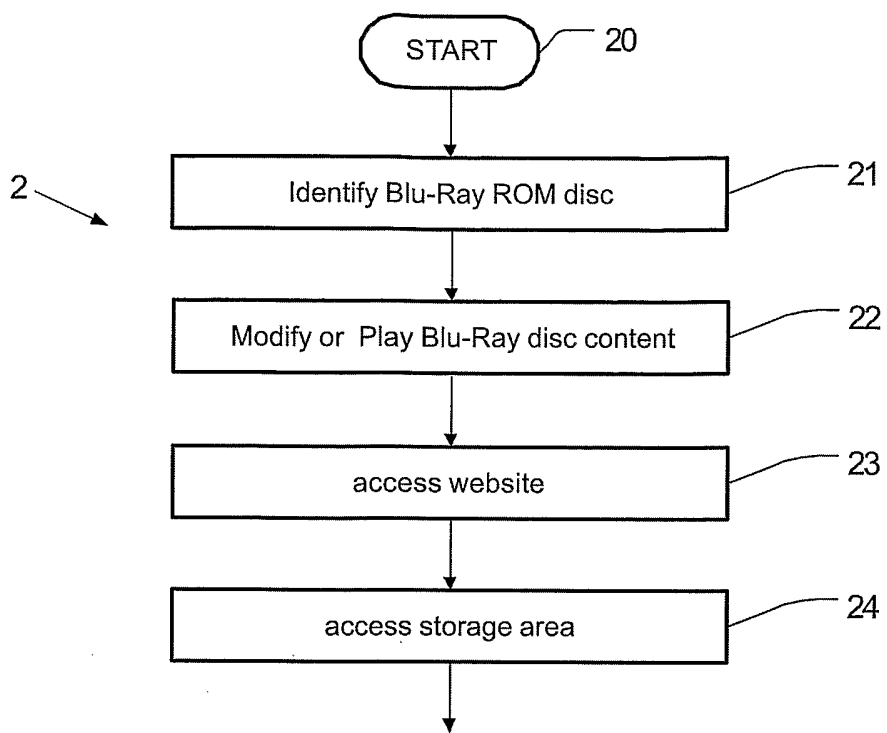


FIG.2

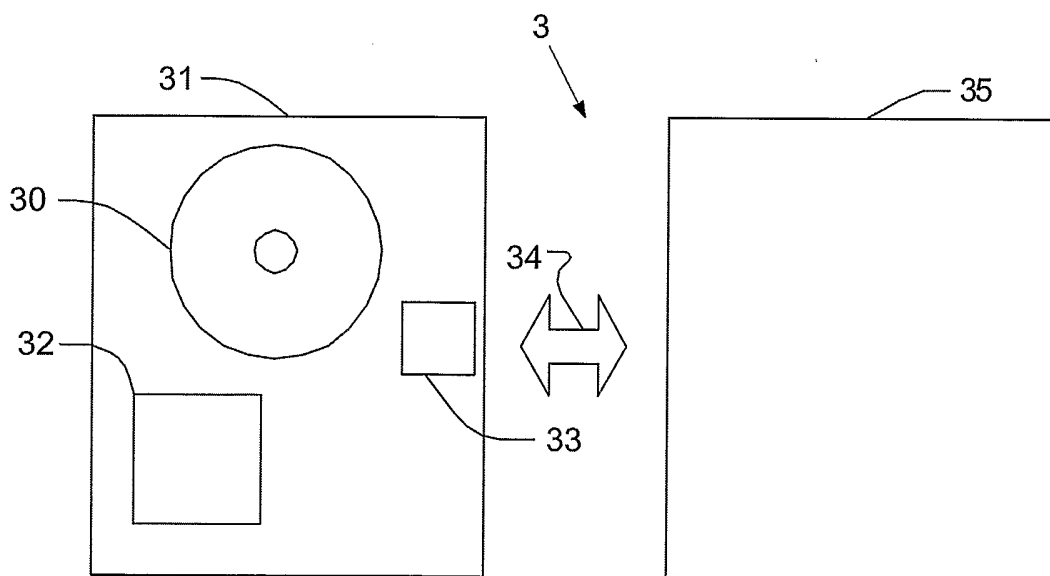


FIG.3

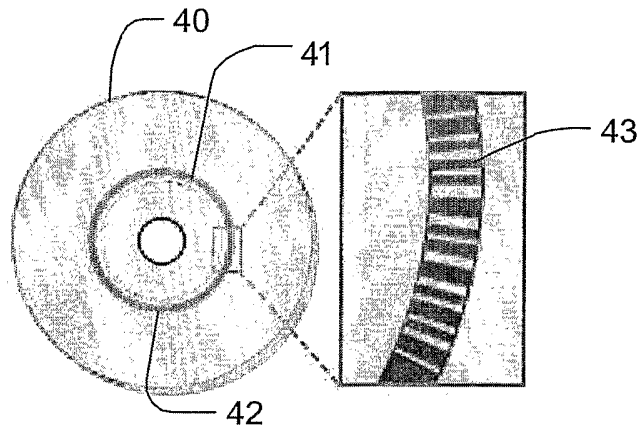


FIG. 4

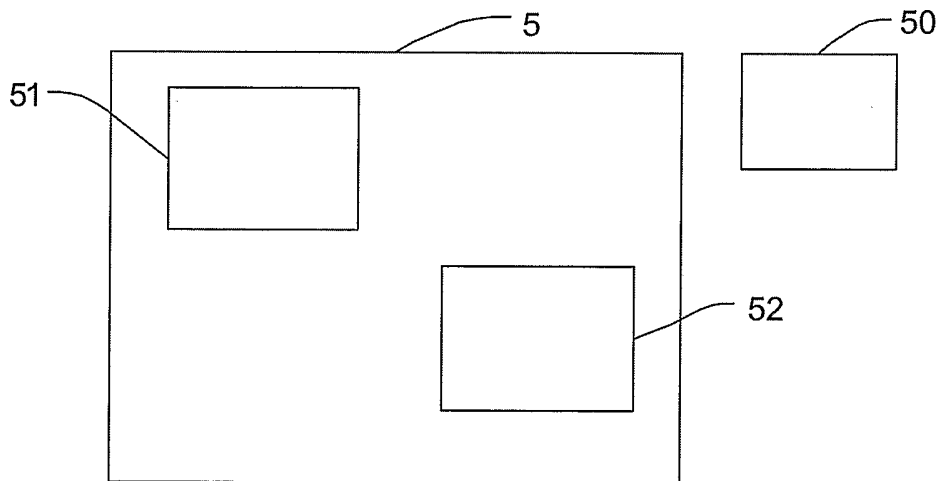


FIG. 5

INTERNATIONAL SEARCH REPORT

International Application No

PCT/IB2004/052421

A. CLASSIFICATION OF SUBJECT MATTER

IPC 7 G11B27/034 G11B27/10 G11B27/11 H04N7/173 G11B19/12

According to International Patent Classification (IPC) or to both national classification and IPC

B. FIELDS SEARCHED

Minimum documentation searched (classification system followed by classification symbols)

IPC 7 G11B H04N

Documentation searched other than minimum documentation to the extent that such documents are included in the fields searched

Electronic data base consulted during the international search (name of data base and, where practical, search terms used)

EPO-Internal, WPI Data, PAJ

C. DOCUMENTS CONSIDERED TO BE RELEVANT

Category °	Citation of document, with indication, where appropriate, of the relevant passages	Relevant to claim No.
X	WO 02/43395 A (MOXI DIGITAL INC; NICHOLS, JAMES, B; PERLMAN, STEPHEN, G) 30 May 2002 (2002-05-30) page 5 - page 9; figures 1-4 -----	1-5,8, 12-16
X	WO 03/032635 A (MATSUSHITA DISC MANUFACTURING CORPORATION; PANASONIC DISC MANUFACTURIN) 17 April 2003 (2003-04-17) paragraph '0021! - paragraph '0032!; figures 1-4 -----	1-3,8,9, 11,12,16
X	US 2002/029216 A1 (TZOU HONDER) 7 March 2002 (2002-03-07) paragraph '0020! - paragraph '0031! ----- -/--	1-3, 8-10,12, 16

 Further documents are listed in the continuation of box C. Patent family members are listed in annex.

° Special categories of cited documents:

- *A* document defining the general state of the art which is not considered to be of particular relevance
- *E* earlier document but published on or after the international filing date
- *L* document which may throw doubts on priority claim(s) or which is cited to establish the publication date of another citation or other special reason (as specified)
- *O* document referring to an oral disclosure, use, exhibition or other means
- *P* document published prior to the international filing date but later than the priority date claimed

- *T* later document published after the international filing date or priority date and not in conflict with the application but cited to understand the principle or theory underlying the invention
- *X* document of particular relevance; the claimed invention cannot be considered novel or cannot be considered to involve an inventive step when the document is taken alone
- *Y* document of particular relevance; the claimed invention cannot be considered to involve an inventive step when the document is combined with one or more other such documents, such combination being obvious to a person skilled in the art.
- *Z* document member of the same patent family

Date of the actual completion of the international search

16 March 2005

Date of mailing of the international search report

24/03/2005

Name and mailing address of the ISA

European Patent Office, P.B. 5818 Patentlaan 2
NL - 2280 HV Rijswijk
Tel. (+31-70) 340-2040, Tx. 31 651 epo nl,
Fax: (+31-70) 340-3016

Authorized officer

Gil Zamorano, A

INTERNATIONAL SEARCH REPORT

International Application No

PCT/IB2004/052421

C.(Continuation) DOCUMENTS CONSIDERED TO BE RELEVANT		
Category °	Citation of document, with indication, where appropriate, of the relevant passages	Relevant to claim No.
X A	US 2003/046283 A1 (ROBERTS DALE T) 6 March 2003 (2003-03-06) paragraph '0044! - paragraph '0055! -----	1-3,8, 12,16 9,10
A	EP 0 802 490 A (MATSUSHITA ELECTRIC INDUSTRIAL CO., LTD) 22 October 1997 (1997-10-22) page 8, line 10 - page 17, line 28 page 22, line 8 - page 25, line 12 -----	1,2,4-8
A	WO 01/25948 A (ZAPMEDIA.COM, INC; ZAPMEDIA, INC) 12 April 2001 (2001-04-12) page 2, line 26 - page 21, line 29 -----	1-5,9, 10,12-16
A	EP 0 640 938 A (AT&T CORP) 1 March 1995 (1995-03-01) column 2, line 40 - column 7, line 22 -----	1,6-8

INTERNATIONAL SEARCH REPORT

International Application No

PCT/IB2004/052421

Information on patent family members

Patent document cited in search report	A	Publication date	Patent family member(s)	Publication date
WO 0243395	A	30-05-2002	AU 2573502 A WO 0243395 A2	03-06-2002 30-05-2002
WO 03032635	A	17-04-2003	US 2003170011 A1 WO 03032635 A2	11-09-2003 17-04-2003
US 2002029216	A1	07-03-2002	NONE	
US 2003046283	A1	06-03-2003	US 2001052028 A1 US 6230192 B1 US 5987525 A AU 7124698 A CA 2286641 A1 DE 69815695 D1 DE 69815695 T2 EP 1324567 A2 EP 1010098 A2 JP 2001521642 T US 6154773 A WO 9847080 A2 US 6240459 B1 US 6230207 B1 US 6061680 A US 6161132 A US 6330593 B1	13-12-2001 08-05-2001 16-11-1999 11-11-1998 22-10-1998 24-07-2003 03-06-2004 02-07-2003 21-06-2000 06-11-2001 28-11-2000 22-10-1998 29-05-2001 08-05-2001 09-05-2000 12-12-2000 11-12-2001
EP 0802490	A	22-10-1997	AU 698528 B2 AU 1897097 A CN 1167944 A ,C EP 0802490 A2 JP 10069511 A KR 261200 B1 US 5937158 A	29-10-1998 06-11-1997 17-12-1997 22-10-1997 10-03-1998 01-07-2000 10-08-1999
WO 0125948	A	12-04-2001	AU 7863600 A WO 0125948 A1	10-05-2001 12-04-2001
EP 0640938	A	01-03-1995	CA 2127765 A1 CN 1109179 A DE 69431507 D1 DE 69431507 T2 EP 0640938 A2 JP 3476553 B2 JP 7193646 A US 5694514 A US 5946444 A	25-02-1995 27-09-1995 14-11-2002 18-06-2003 01-03-1995 10-12-2003 28-07-1995 02-12-1997 31-08-1999