



(43) International Publication Date
18 September 2014 (18.09.2014)

(51) International Patent Classification:
H02M 3/335 (2006.01)

(21) International Application Number:
PCT/EP2014/055213

(22) International Filing Date:
14 March 2014 (14.03.2014)

(25) Filing Language: English

(26) Publication Language: English

(30) Priority Data:
1304708.9 15 March 2013 (15.03.2013) GB

(71) Applicant: **EISERGY LIMITED** [IE/IE]; No. 1 Grant's Row, Second Floor, Lower Mount Street, Dublin, D2 (IE).

(72) Inventor: **YOUNG, George**; 11 Woodlands Park, Blackrock, Dublin, Dublin (IE).

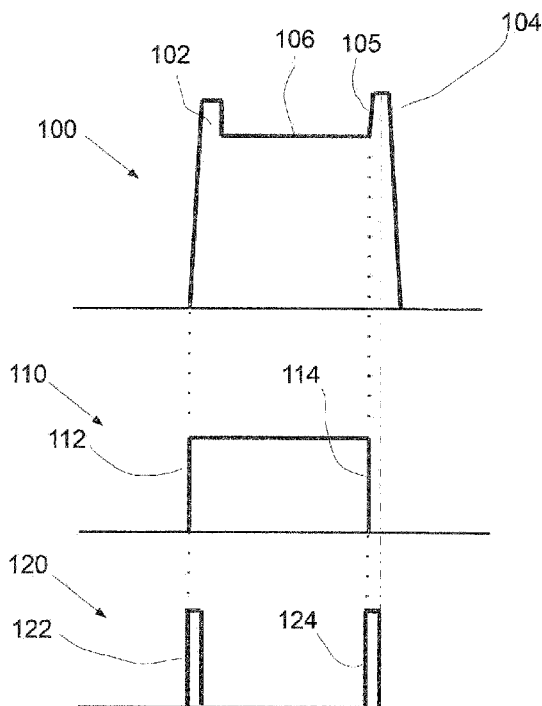
(74) Agent: **CURLEY, Donnacha**; Hanna Moore & Curley, 13 Lower Lad Lane, Dublin, 2 (IE).

(81) Designated States (unless otherwise indicated, for every kind of national protection available): AE, AG, AL, AM, AO, AT, AU, AZ, BA, BB, BG, BH, BN, BR, BW, BY, BZ, CA, CH, CL, CN, CO, CR, CU, CZ, DE, DK, DM, DO, DZ, EC, EE, EG, ES, FI, GB, GD, GE, GH, GM, GT, HN, HR, HU, ID, IL, IN, IR, IS, JP, KE, KG, KN, KP, KR, KZ, LA, LC, LK, LR, LS, LT, LU, LY, MA, MD, ME, MG, MK, MN, MW, MX, MY, MZ, NA, NG, NI, NO, NZ, OM, PA, PE, PG, PH, PL, PT, QA, RO, RS, RU, RW, SA, SC, SD, SE, SG, SK, SL, SM, ST, SV, SY, TH, TJ, TM, TN, TR, TT, TZ, UA, UG, US, UZ, VC, VN, ZA, ZM, ZW.

(84) Designated States (unless otherwise indicated, for every kind of regional protection available): ARIPO (BW, GH, GM, KE, LR, LS, MW, MZ, NA, RW, SD, SL, SZ, TZ, UG, ZM, ZW), Eurasian (AM, AZ, BY, KG, KZ, RU, TJ, TM), European (AL, AT, BE, BG, CH, CY, CZ, DE, DK,

[Continued on next page]

(54) Title: A METHOD OF CONTROL FOR SYNCHRONOUS RECTIFIERS



(57) Abstract: The present application relates to the field of switching power supplies and in particular to switching power supplies in which a primary side is isolated from the secondary side and in which a synchronous rectifier on the secondary side is controlled from the primary side. The application provides a method for minimising body diode conduction losses.

Figure 3



EE, ES, FI, FR, GB, GR, HR, HU, IE, IS, IT, LT, LU,
LV, MC, MK, MT, NL, NO, PL, PT, RO, RS, SE, SI, SK,
SM, TR), OAPI (BF, BJ, CF, CG, CI, CM, GA, GN, GQ,
GW, KM, ML, MR, NE, SN, TD, TG).

— *before the expiration of the time limit for amending the
claims and to be republished in the event of receipt of
amendments (Rule 48.2(h))*

Published:

— *with international search report (Art. 21(3))*

(88) Date of publication of the international search report:
23 April 2015

INTERNATIONAL SEARCH REPORT

International application No
PCT/EP2014/055213

A. CLASSIFICATION OF SUBJECT MATTER
INV. H02M3/335
ADD.
According to International Patent Classification (IPC) or to both national classification and IPC

B. FIELDS SEARCHED
Minimum documentation searched (classification system followed by classification symbols)
H02M

Documentation searched other than minimum documentation to the extent that such documents are included in the fields searched

Electronic data base consulted during the international search (name of data base and, where practicable, search terms used)
EPO-Internal

C. DOCUMENTS CONSIDERED TO BE RELEVANT

Category*	Citation of document, with indication, where appropriate, of the relevant passages	Relevant to claim No.
X	WO 01/28079 A2 (LAMBDA ELECTRONICS [US]) 19 April 2001 (2001-04-19) pages 16-22; figures 3-11 -----	1-3,9-21
X	US 7 495 934 B2 (CHEN LIFENG [CN] ET AL) 24 February 2009 (2009-02-24) columns 7-10; figure 4 -----	1-3,9-21
A	US 6 813 166 B1 (CHANG SHUN-TE [TW] ET AL) 2 November 2004 (2004-11-02) columns 3-4; figure 1 -----	1-21
	-/--	

Further documents are listed in the continuation of Box C.

See patent family annex.

* Special categories of cited documents :

<p>"A" document defining the general state of the art which is not considered to be of particular relevance</p> <p>"E" earlier application or patent but published on or after the international filing date</p> <p>"L" document which may throw doubts on priority claim(s) or which is cited to establish the publication date of another citation or other special reason (as specified)</p> <p>"O" document referring to an oral disclosure, use, exhibition or other means</p> <p>"P" document published prior to the international filing date but later than the priority date claimed</p>	<p>"T" later document published after the international filing date or priority date and not in conflict with the application but cited to understand the principle or theory underlying the invention</p> <p>"X" document of particular relevance; the claimed invention cannot be considered novel or cannot be considered to involve an inventive step when the document is taken alone</p> <p>"Y" document of particular relevance; the claimed invention cannot be considered to involve an inventive step when the document is combined with one or more other such documents, such combination being obvious to a person skilled in the art</p> <p>"&" document member of the same patent family</p>
---	---

Date of the actual completion of the international search 19 February 2015	Date of mailing of the international search report 02/03/2015
---	--

Name and mailing address of the ISA/ European Patent Office, P.B. 5818 Patentlaan 2 NL - 2280 HV Rijswijk Tel. (+31-70) 340-2040, Fax: (+31-70) 340-3016	Authorized officer Grosse, Philippe
--	--

INTERNATIONAL SEARCH REPORT

International application No
PCT/EP2014/055213

C(Continuation). DOCUMENTS CONSIDERED TO BE RELEVANT		
Category*	Citation of document, with indication, where appropriate, of the relevant passages	Relevant to claim No.
A	WEIYI FENG ET AL: "A Universal Adaptive Driving Scheme for Synchronous Rectification in LLC Resonant Converters", IEEE TRANSACTIONS ON POWER ELECTRONICS, INSTITUTE OF ELECTRICAL AND ELECTRONICS ENGINEERS, USA, vol. 27, no. 8, 1 August 2012 (2012-08-01), pages 3775-3781, XP011441715, ISSN: 0885-8993, DOI: 10.1109/TPEL.2012.2184304 paragraph [SectionII]; figure 9 -----	1-21
X	US 6 870 747 B2 (BRIDGE CHRISTOPHER DAVID [US]) 22 March 2005 (2005-03-22) columns 4-8 -----	1-3,9-21
A	US 2005/254266 A1 (JITARU IONEL D [US]) 17 November 2005 (2005-11-17) paragraphs [0056] - [0075]; figures 12b,d -----	1-21

INTERNATIONAL SEARCH REPORT

Information on patent family members

International application No PCT/EP2014/055213

Patent document cited in search report	Publication date	Patent family member(s)	Publication date	
WO 0128079	A2	19-04-2001	AU 7876000 A	23-04-2001
			US 6442047 B1	27-08-2002
			WO 0128079 A2	19-04-2001
US 7495934	B2	24-02-2009	TW I285467 B	11-08-2007
			US 2007091650 A1	26-04-2007
US 6813166	B1	02-11-2004	CN 1567690 A	19-01-2005
			JP 2005039934 A	10-02-2005
			TW I220084 B	01-08-2004
			US 6813166 B1	02-11-2004
US 6870747	B2	22-03-2005	US 2002141209 A1	03-10-2002
			US 2003117119 A1	26-06-2003
US 2005254266	A1	17-11-2005	EP 1490958 A2	29-12-2004
			US 2005254266 A1	17-11-2005
			WO 03084037 A2	09-10-2003