



US00D459419S

(12) **United States Design Patent**
Nishiyama et al.

(10) **Patent No.:** US D459,419 S

(45) **Date of Patent:** ** Jun. 25, 2002

(54) **PHYSICAL TRAINING INSTRUMENT**

D440,264 S * 4/2001 Venhuizen D21/690

(75) Inventors: **Tohru Nishiyama; Katsunori Someya,**
both of Kadoma (JP)

* cited by examiner

Primary Examiner—Philip S. Hyder

(74) *Attorney, Agent, or Firm*—Lynn & Lynn

(73) Assignee: **Matsushita Electric Works, Ltd.,**
Osaka (JP)

(57) **CLAIM**

(**) Term: **14 Years**

The ornamental design for a physical training instrument,
substantially as shown and described.

(21) Appl. No.: **29/133,666**

DESCRIPTION

(22) Filed: **Dec. 4, 2000**

(30) **Foreign Application Priority Data**

Jun. 7, 2000 (JP) 2000-015412

(51) **LOC (7) Cl.** **21-02**

(52) **U.S. Cl.** **D21/686; D21/690**

(58) **Field of Search** D21/662, 686,
D21/690, 828, 831; 446/313; D6/552; D24/183

FIG. 1 is a perspective view of a physical training instrument
embodying our design;

FIG. 2 is a front view thereof;

FIG. 3 is a right side elevational view thereof;

FIG. 4 is a top plan view thereof;

FIG. 5 is a rear view thereof;

FIG. 6 is a bottom plan view thereof;

FIG. 7 is a front view thereof showing a seat part turned up
for using as a chair;

FIG. 8 is a right side elevational view thereof showing a seat
part turned up for using as a chair;

FIG. 9 is a top plan view thereof showing a seat part turned
up for using as a chair; and,

FIG. 10 is a rear view thereof showing a seat part turned up
for using as a chair.

(56) **References Cited**

U.S. PATENT DOCUMENTS

D300,045 S * 2/1989 Grider D21/690

D351,742 S * 10/1994 Phelps et al. D24/183

D380,242 S * 6/1997 Wang et al. D21/676

D403,036 S * 12/1998 Ashcraft et al. D21/686

1 Claim, 6 Drawing Sheets

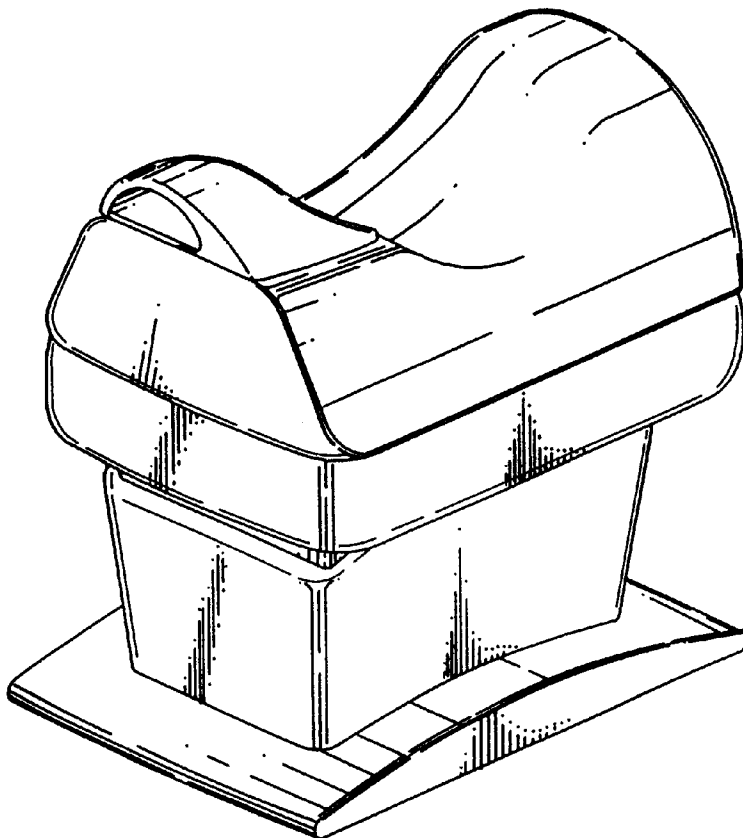


FIG. 1

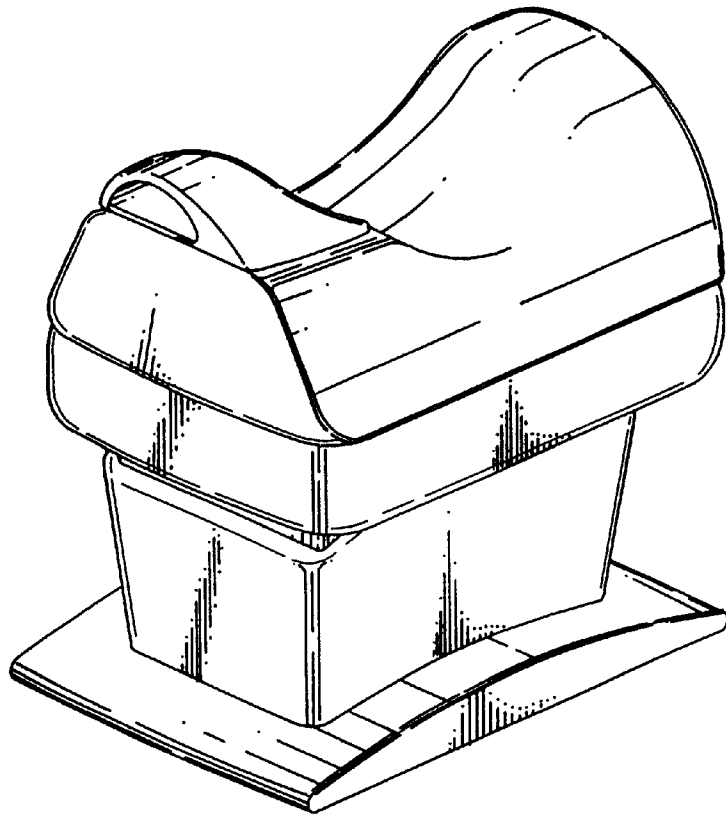


FIG. 2

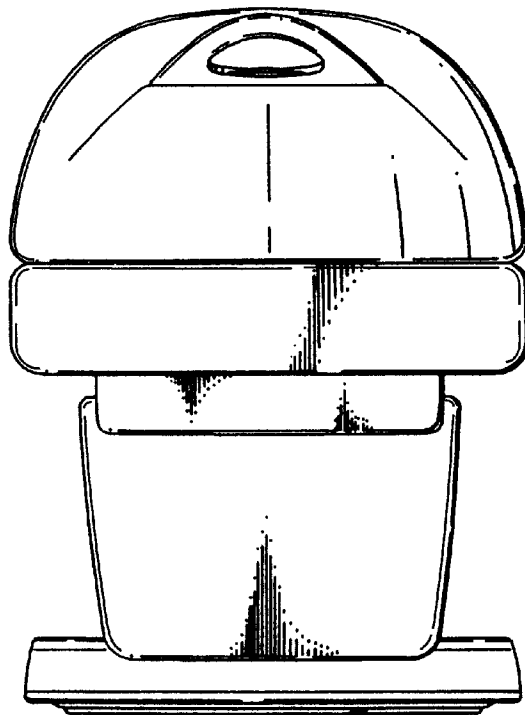


FIG. 3

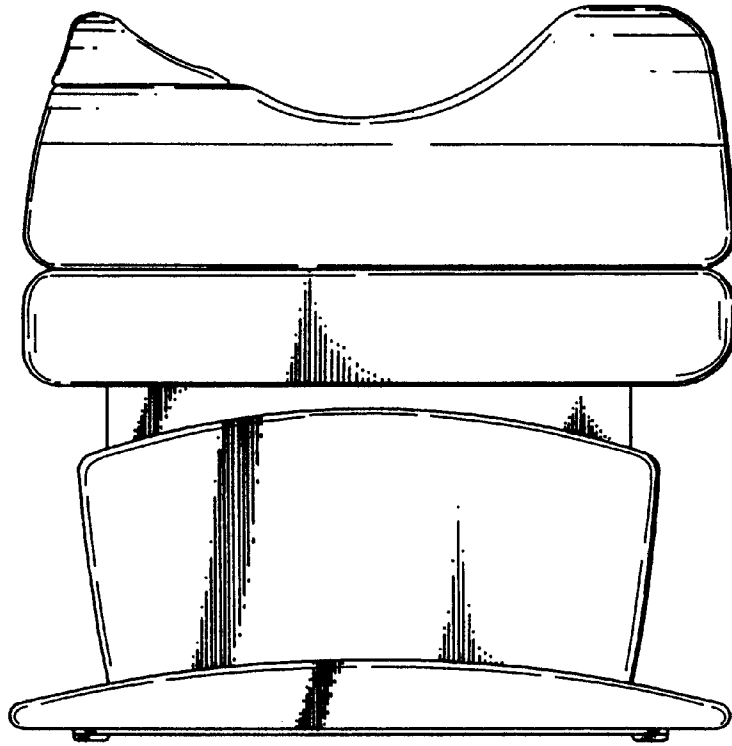


FIG. 4

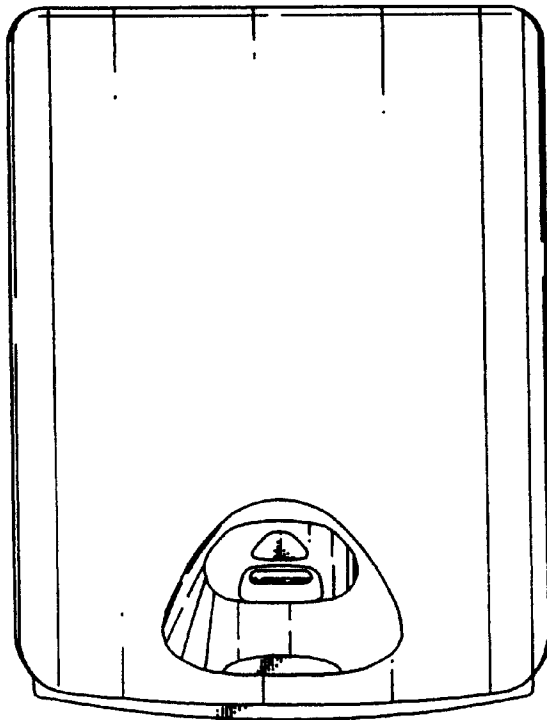


FIG. 5

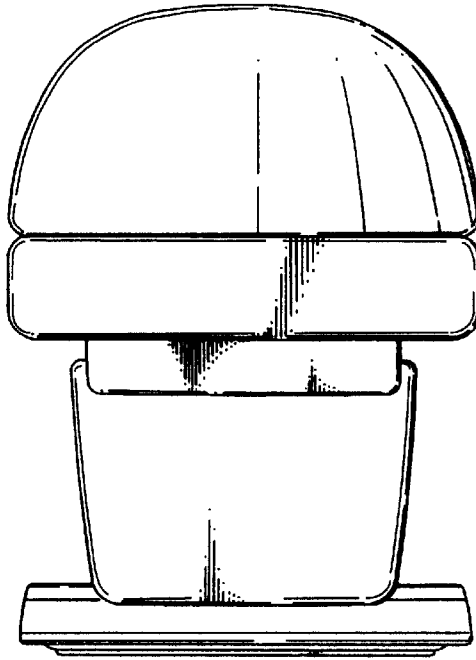


FIG. 6

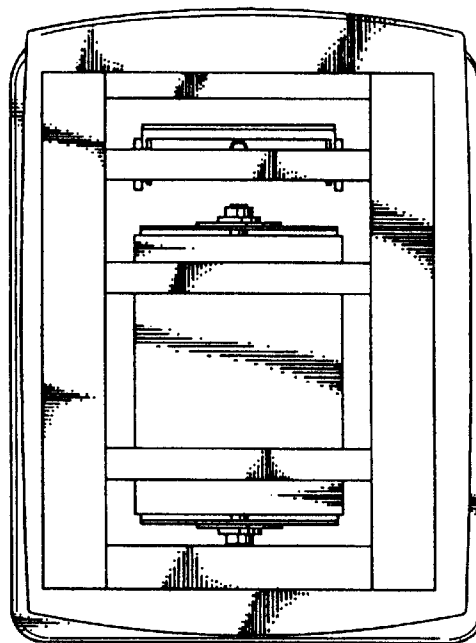


FIG. 7

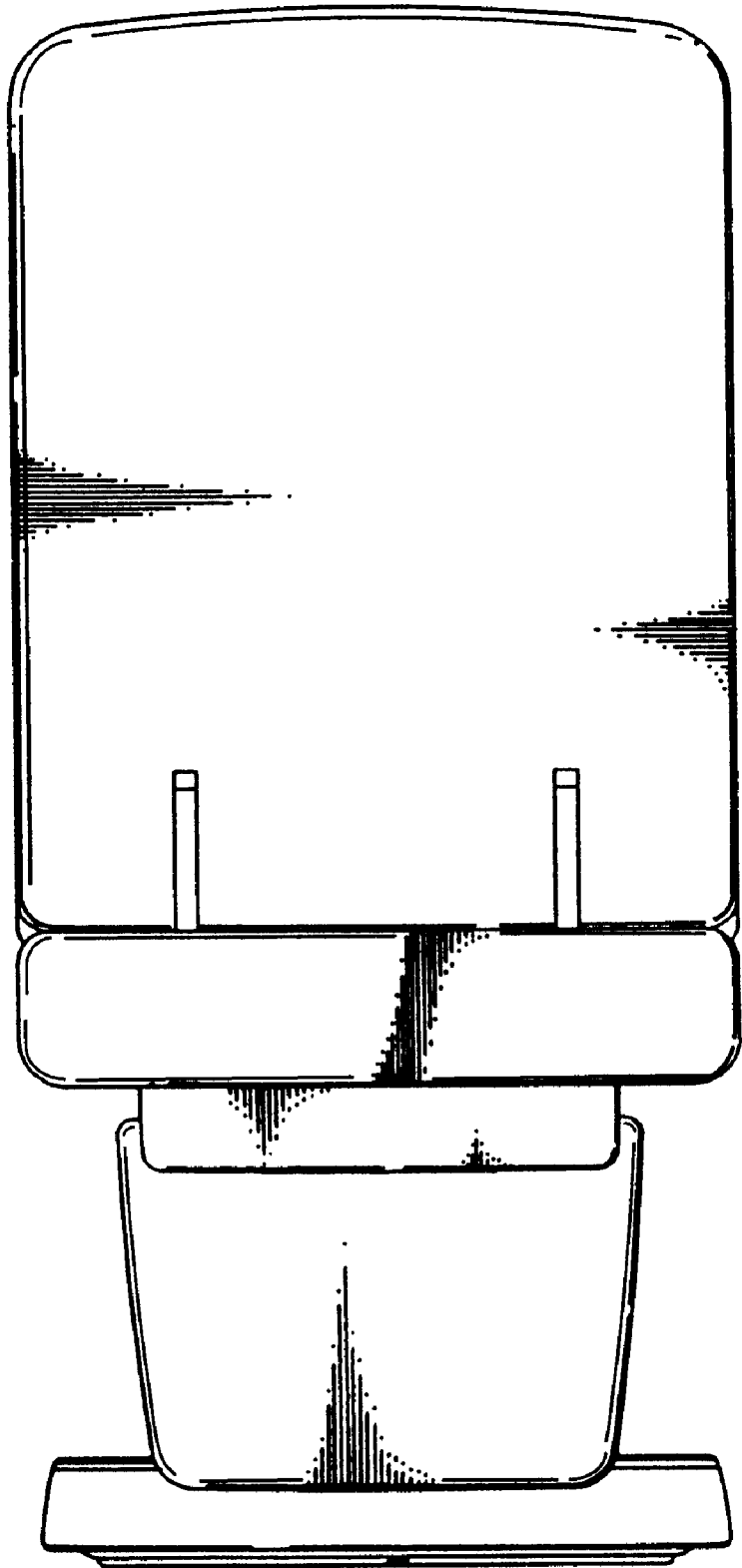


FIG. 8

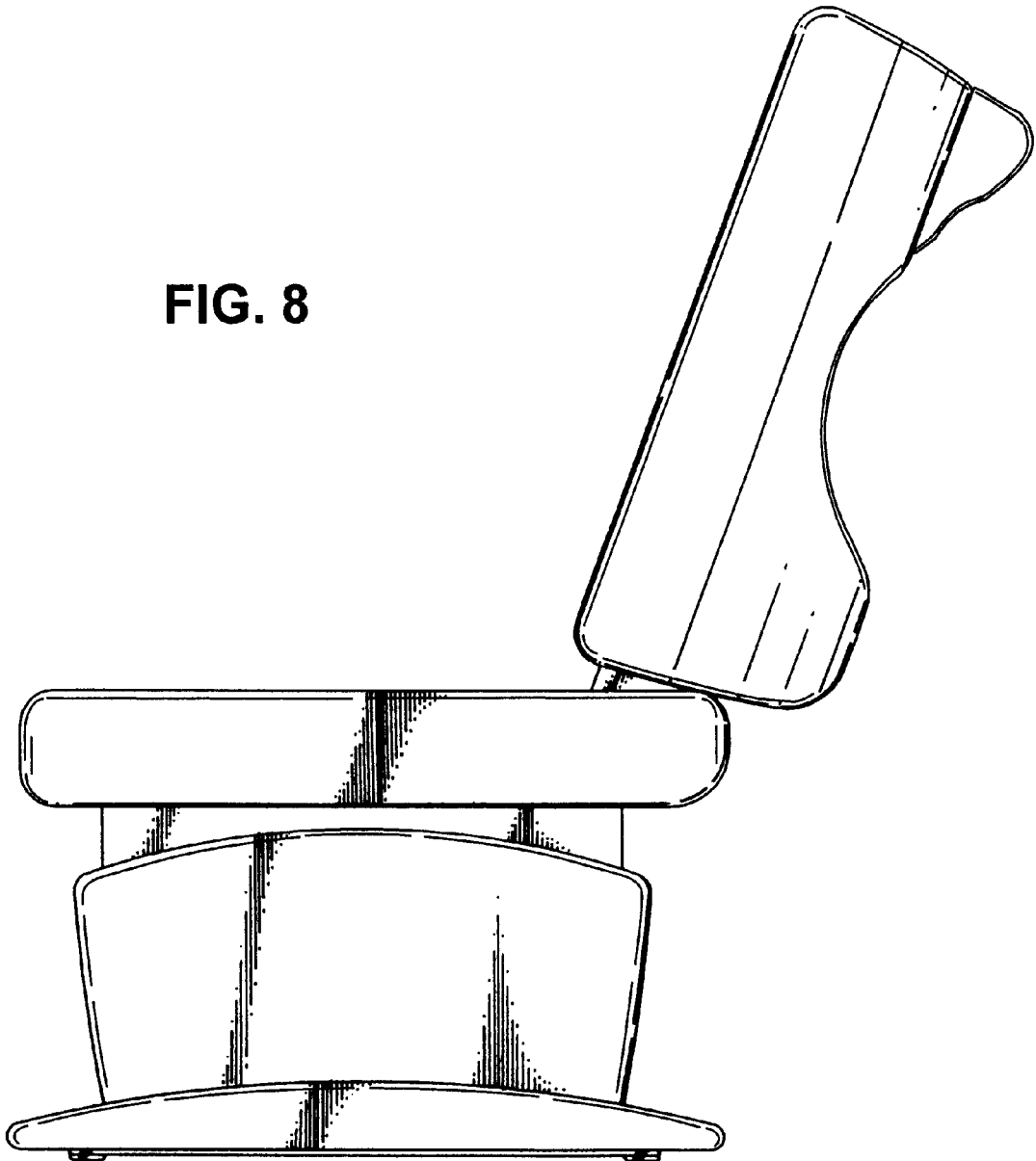


FIG. 9

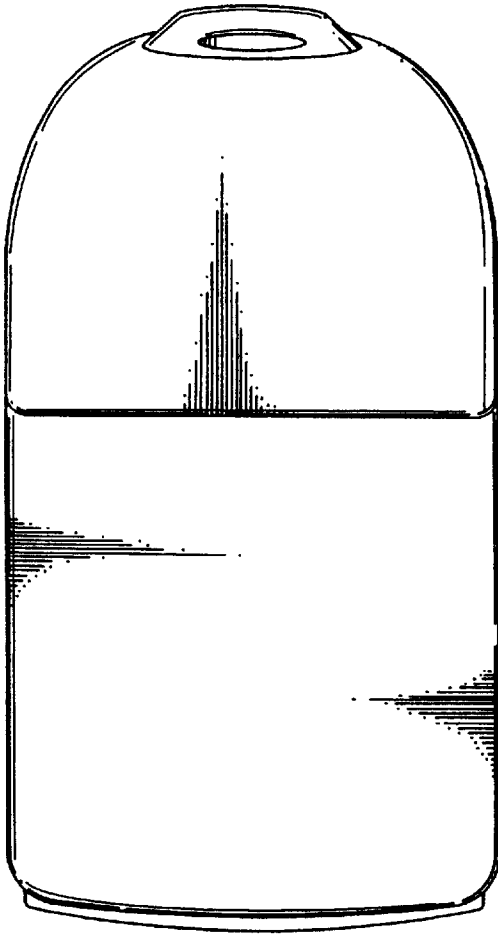


FIG. 10

