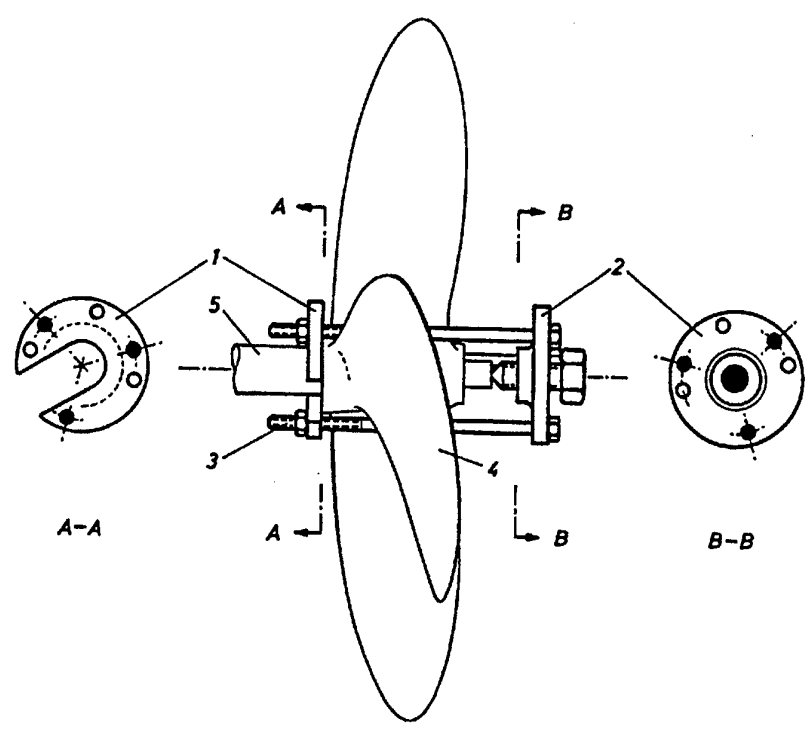




INTERNATIONAL APPLICATION PUBLISHED UNDER THE PATENT COOPERATION TREATY (PCT)

<p>(51) International Patent Classification ⁶ : B63H 23/34, B25B 27/02</p>	<p>A1</p>	<p>(11) International Publication Number: WO 97/08049 (43) International Publication Date: 6 March 1997 (06.03.97)</p>
<p>(21) International Application Number: PCT/IT96/00053 (22) International Filing Date: 20 March 1996 (20.03.96) (30) Priority Data: NA95A000041 24 August 1995 (24.08.95) IT (71)(72) Applicant and Inventor: SMIT, Günter [IT/IT]; Via Caprile, 74, I-80071 Anacapri (IT).</p>		<p>(81) Designated States: AU, CA, JP, NO, NZ, US, European patent (AT, BE, CH, DE, DK, ES, FI, FR, GB, GR, IE, IT, LU, MC, NL, PT, SE). Published <i>With international search report.</i></p>

(54) Title: VARIABLE EXTRACTOR FOR SHIP AND BOAT PROPELLERS



(57) Abstract

Variable extractor for ship and boat propellers made with the following items as in the drawing: a) back plate (1) with several holes and gap, b) front plate (2) with several holes, the central of which is threaded and threaded bolt, c) connecting rod (3) with threaded nut or wing nut, d) propeller (4), e) propeller shaft (5).

FOR THE PURPOSES OF INFORMATION ONLY

Codes used to identify States party to the PCT on the front pages of pamphlets publishing international applications under the PCT.

AM	Armenia	GB	United Kingdom	MW	Malawi
AT	Austria	GE	Georgia	MX	Mexico
AU	Australia	GN	Guinea	NE	Niger
BB	Barbados	GR	Greece	NL	Netherlands
BE	Belgium	HU	Hungary	NO	Norway
BF	Burkina Faso	IE	Ireland	NZ	New Zealand
BG	Bulgaria	IT	Italy	PL	Poland
BJ	Benin	JP	Japan	PT	Portugal
BR	Brazil	KE	Kenya	RO	Romania
BY	Belarus	KG	Kyrgystan	RU	Russian Federation
CA	Canada	KP	Democratic People's Republic of Korea	SD	Sudan
CF	Central African Republic	KR	Republic of Korea	SE	Sweden
CG	Congo	KZ	Kazakhstan	SG	Singapore
CH	Switzerland	LI	Liechtenstein	SI	Slovenia
CI	Côte d'Ivoire	LK	Sri Lanka	SK	Slovakia
CM	Cameroon	LR	Liberia	SN	Senegal
CN	China	LT	Lithuania	SZ	Swaziland
CS	Czechoslovakia	LU	Luxembourg	TD	Chad
CZ	Czech Republic	LV	Latvia	TG	Togo
DE	Germany	MC	Monaco	TJ	Tajikistan
DK	Denmark	MD	Republic of Moldova	TT	Trinidad and Tobago
EE	Estonia	MG	Madagascar	UA	Ukraine
ES	Spain	ML	Mali	UG	Uganda
FI	Finland	MN	Mongolia	US	United States of America
FR	France	MR	Mauritania	UZ	Uzbekistan
GA	Gabon			VN	Viet Nam

- 1 -

DESCRIPTION

5

Variable extractor for ship and boat propellers

TECNICAL FIELD

10

The purpose of my invention is to standardize the usage of the extractor for ship and boat propellers.

15

BACKGROUND ART

20

Nowdays exists many and different methods of extracting ship and boat propellers on land. My invention can be used either on land or in the water. The purpose of my invention is to use it in the water. The main problem of extracting a ship-boat propeller is the position and the short distance it has from the rudder. That's why the extraction of the propeller is always done on the land or dry dock.

25

30

DISCLOSURE OF THE INVENTION

The technical problem of extracting the propeller is that the boat or ship must be put on land or dry dock which gives a great inconvenience and time but my invention gives the possibility to any scuba diver to remove the propeller in the water and no inconvenience and with very little time.

40

BEST MODE OF CARRYING OUT THE INVENTION

the best mode is assembling the two plates on the propeller with the connecting rods in the prepared holes according to how many blades the propeller has. All the connecting rods must be tightened at the same lenght. Once the tool has been assembled, the threaded center bolt will be at the center of the propeller shaft. Then will be enough to screw it down in order to pull out the propeller.

50

-2-

5

CLAIMS

10 My idea of joining two metal plates with
several holes in different positions by
assembling with connection rods (in accordance
of how many blades has the propeller) which
gives a variable distance from one plate to the
15 other and applying a central threaded bolt.
All parts of my invention must be constructed
with hard metals like steel, stainless steel
etc.

20

1/1

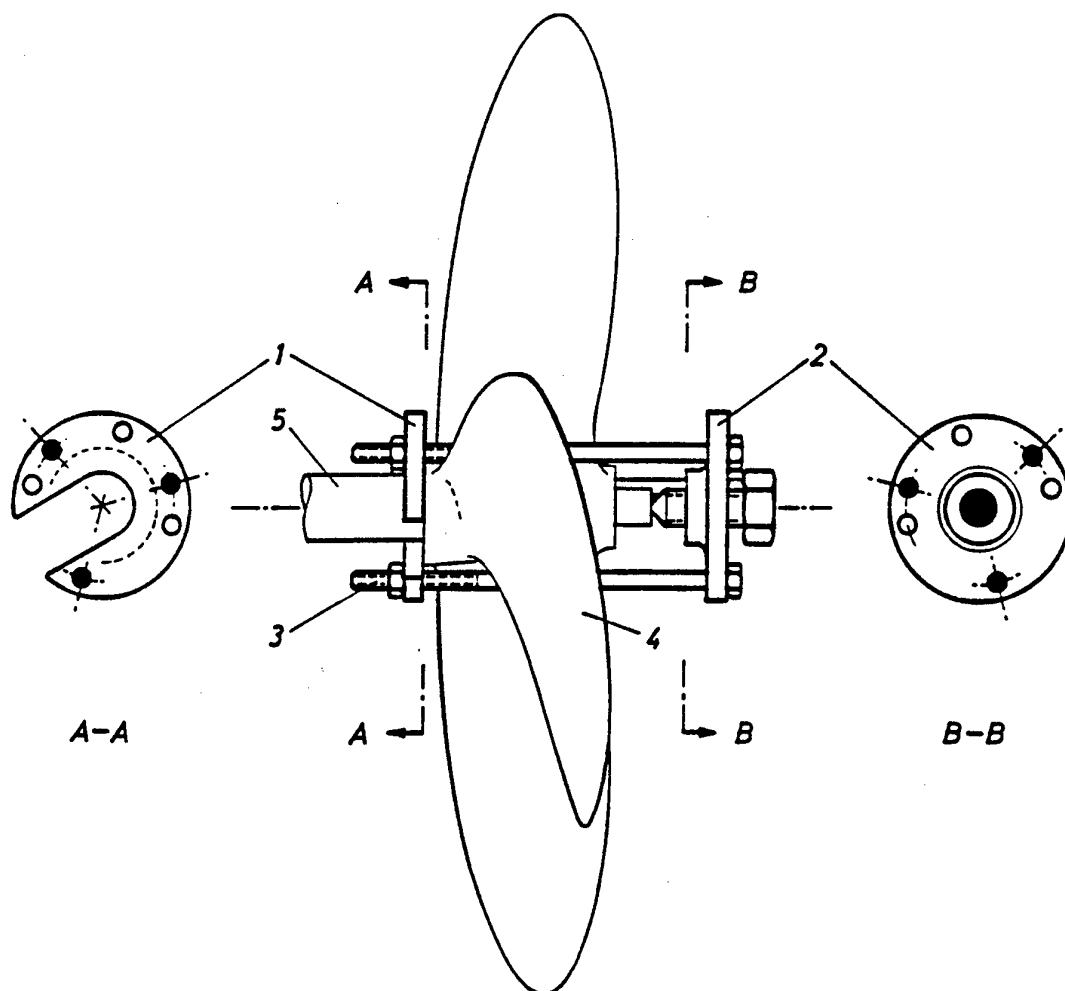


FIG. 1

INTERNATIONAL SEARCH REPORT

International Application No

PCT/IT 96/00053

A. CLASSIFICATION OF SUBJECT MATTER
 IPC 6 B63H23/34 B25B27/02

According to International Patent Classification (IPC) or to both national classification and IPC

B. FIELDS SEARCHED

Minimum documentation searched (classification system followed by classification symbols)

IPC 6 B63H B25B

Documentation searched other than minimum documentation to the extent that such documents are included in the fields searched

Electronic data base consulted during the international search (name of data base and, where practical, search terms used)

C. DOCUMENTS CONSIDERED TO BE RELEVANT

Category *	Citation of document, with indication, where appropriate, of the relevant passages	Relevant to claim No.
X	US,A,4 502 197 (HARDER) 5 March 1985 see the whole document ---	1
A	US,A,4 864 709 (KLUCZ ET AL) 12 September 1989 see abstract; figures 1-8 ---	1
A	US,A,3 986 242 (KERR) 19 October 1976 see abstract; figures 1-3 -----	1

Further documents are listed in the continuation of box C.

Patent family members are listed in annex.

* Special categories of cited documents :

- "A" document defining the general state of the art which is not considered to be of particular relevance
- "E" earlier document but published on or after the international filing date
- "L" document which may throw doubts on priority claim(s) or which is cited to establish the publication date of another citation or other special reason (as specified)
- "O" document referring to an oral disclosure, use, exhibition or other means
- "P" document published prior to the international filing date but later than the priority date claimed

- "T" later document published after the international filing date or priority date and not in conflict with the application but cited to understand the principle or theory underlying the invention
- "X" document of particular relevance; the claimed invention cannot be considered novel or cannot be considered to involve an inventive step when the document is taken alone
- "Y" document of particular relevance; the claimed invention cannot be considered to involve an inventive step when the document is combined with one or more other such documents, such combination being obvious to a person skilled in the art.
- "&" document member of the same patent family

Date of the actual completion of the international search

26 June 1996

Date of mailing of the international search report

04. 07. 96

Name and mailing address of the ISA

European Patent Office, P.B. 5818 Patentaan 2
 NL - 2280 HV Rijswijk
 Tel. (+31-70) 340-2040, Tx. 31 651 epo nl,
 Fax: (+31-70) 340-3016

Authorized officer

DE SENA, A

INTERNATIONAL SEARCH REPORT

Information on patent family members

International Application No
PCT/IT 96/00053

Patent document cited in search report	Publication date	Patent family member(s)	Publication date
US-A-4502197	05-03-85	NONE	
US-A-4864709	12-09-89	NONE	
US-A-3986242	19-10-76	NONE	