



(11) **EP 4 417 782 A8**

(12) **CORRECTED EUROPEAN PATENT APPLICATION**

(15) Correction information:
Corrected version no 1 (W1 A1)
Corrections, see
Bibliography INID code(s) 72

(51) International Patent Classification (IPC):
E21B 23/02^(2006.01) E21B 31/20^(2006.01)

(52) Cooperative Patent Classification (CPC):
E21B 23/02; E21B 31/20

(48) Corrigendum issued on:
09.10.2024 Bulletin 2024/41

(43) Date of publication:
21.08.2024 Bulletin 2024/34

(21) Application number: **23157151.4**

(22) Date of filing: **17.02.2023**

(84) Designated Contracting States:
AL AT BE BG CH CY CZ DE DK EE ES FI FR GB
GR HR HU IE IS IT LI LT LU LV MC ME MK MT NL
NO PL PT RO RS SE SI SK SM TR
Designated Extension States:
BA
Designated Validation States:
KH MA MD TN

• **LAMONT, Paul**
Aberdeen (GB)

(74) Representative: **Grabovac, Dalibor**
AAP Patentanwaltskanzlei Grabovac
Pfeivestlstr. 12
81243 München (DE)

(71) Applicant: **Azmey, Adel**
Tomball, TX 77377 (US)

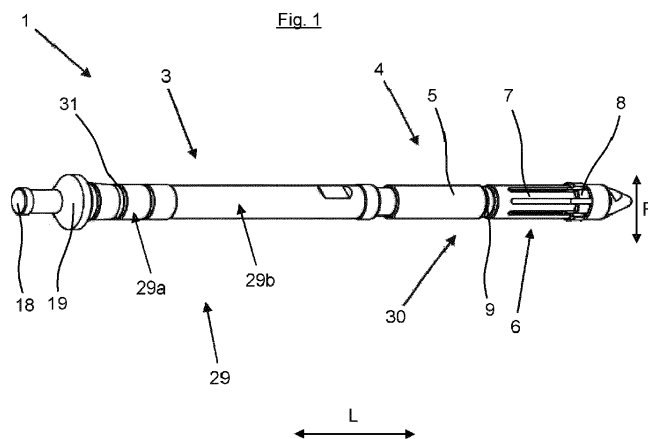
Remarks:
Amended claims in accordance with Rule 137(2)
EPC.

(72) Inventors:
• **AZMEY, Adel**
Tomball, TX 77377 (US)

(54) **TOOL FOR A COILED TUBING LOGGING PLUG**

(57) The invention relates to a tool comprising a sealing portion for downhole sealing a through hole of a coiled tubing logging plug and a retrieving portion for retrieving the coiled tubing logging plug from the downhole wherein

the retrieving portion is connected with the sealing portion and wherein the sealing portion and the retrieving portion are configured and formed to be insertable into the through hole of the coiled tubing logging plug..



EP 4 417 782 A8