



US00D908668S

(12) **United States Design Patent**
Blouch et al.

(10) **Patent No.:** **US D908,668 S**

(45) **Date of Patent:** **** Jan. 26, 2021**

(54) **ANTENNA ASSEMBLY**

(71) Applicants: **Susan Blouch**, Oakwood, TX (US);
Roger Blouch, Oakwood, TX (US)

(72) Inventors: **Susan Blouch**, Oakwood, TX (US);
Roger Blouch, Oakwood, TX (US)

(73) Assignee: **ADVANCED HF SOLUTIONS INC.**,
Oakwood, TX (US)

(**) Term: **15 Years**

(21) Appl. No.: **29/717,080**

(22) Filed: **Dec. 13, 2019**

(51) **LOC (13) Cl.** **14-03**

(52) **U.S. Cl.**
USPC **D14/230**

(58) **Field of Classification Search**
USPC D14/138, 230–238, 299, 358; D12/42,
D12/43
CPC H01Q 7/00; H01Q 13/10; H01Q 9/285;
H01Q 19/30; H01Q 19/12; H01Q 1/38;
H01Q 1/36; H04B 1/0475; H04B 1/034;
H05K 11/00
See application file for complete search history.

(56) **References Cited**

U.S. PATENT DOCUMENTS

D371,370 S * 7/1996 Fenton D14/230
D406,590 S * 3/1999 Heiligenstein D14/230

D535,982 S * 1/2007 Inoue D14/230
D588,586 S * 3/2009 Montgomery D14/230
D651,591 S * 1/2012 Hunter D14/230
D669,884 S * 10/2012 Hou D14/214
D843,357 S * 3/2019 Young D14/230
D856,986 S * 8/2019 Chang D14/230
2015/0264823 A1* 9/2015 Shirley F16M 13/02
248/287.1

* cited by examiner

Primary Examiner — John Windmuller

(74) *Attorney, Agent, or Firm* — Law Office of Jeff
Williams PLLC; J. Oliver Williams

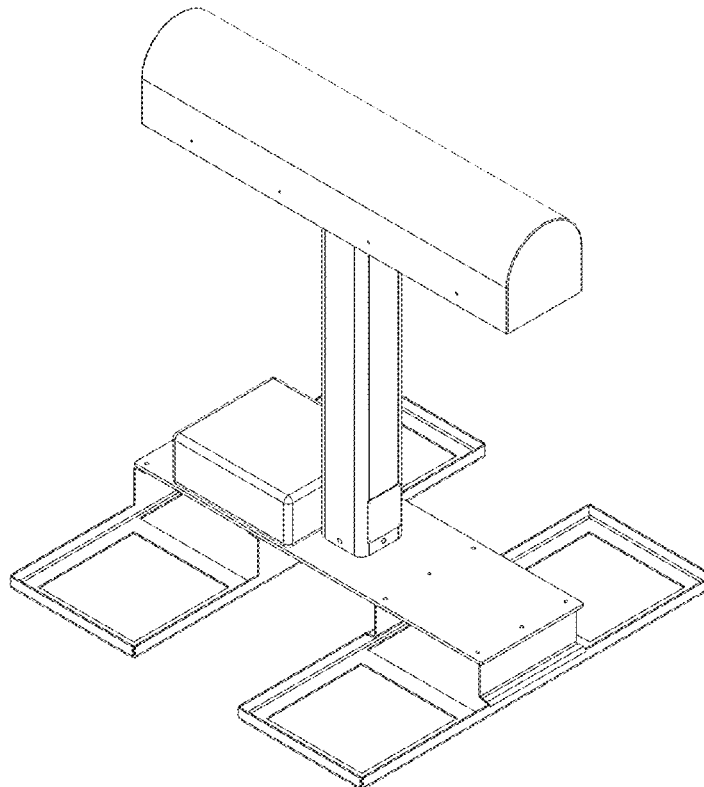
(57) **CLAIM**

The ornamental design for an antenna assembly, as shown.

DESCRIPTION

FIG. 1 is a front perspective view of an antenna assembly according to the present application.
FIG. 2 is a front view of the antenna assembly of FIG. 1.
FIG. 3 is a rear view of the antenna assembly of FIG. 1.
FIG. 4 is a right view of the antenna assembly of FIG. 1.
FIG. 5 is a left view of the antenna assembly of FIG. 1.
FIG. 6 is a top view of the antenna assembly of FIG. 1.
FIG. 7 is a bottom view of the antenna assembly of FIG. 1.
FIG. 8 is a lower front perspective view of the antenna assembly of FIG. 1; and,
FIG. 9 is a lower rear perspective view of the antenna assembly of FIG. 1.

1 Claim, 9 Drawing Sheets



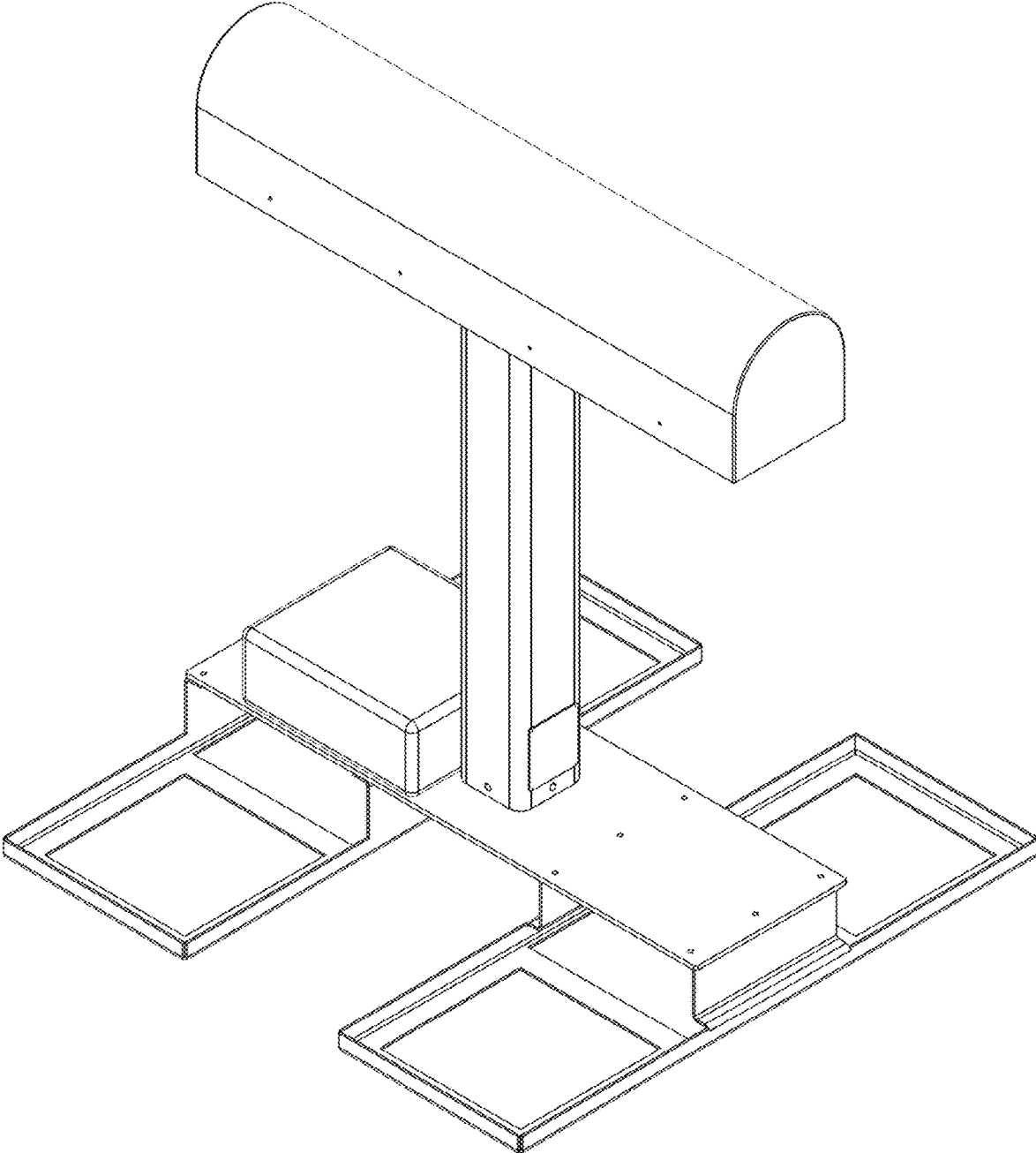


FIG. 1

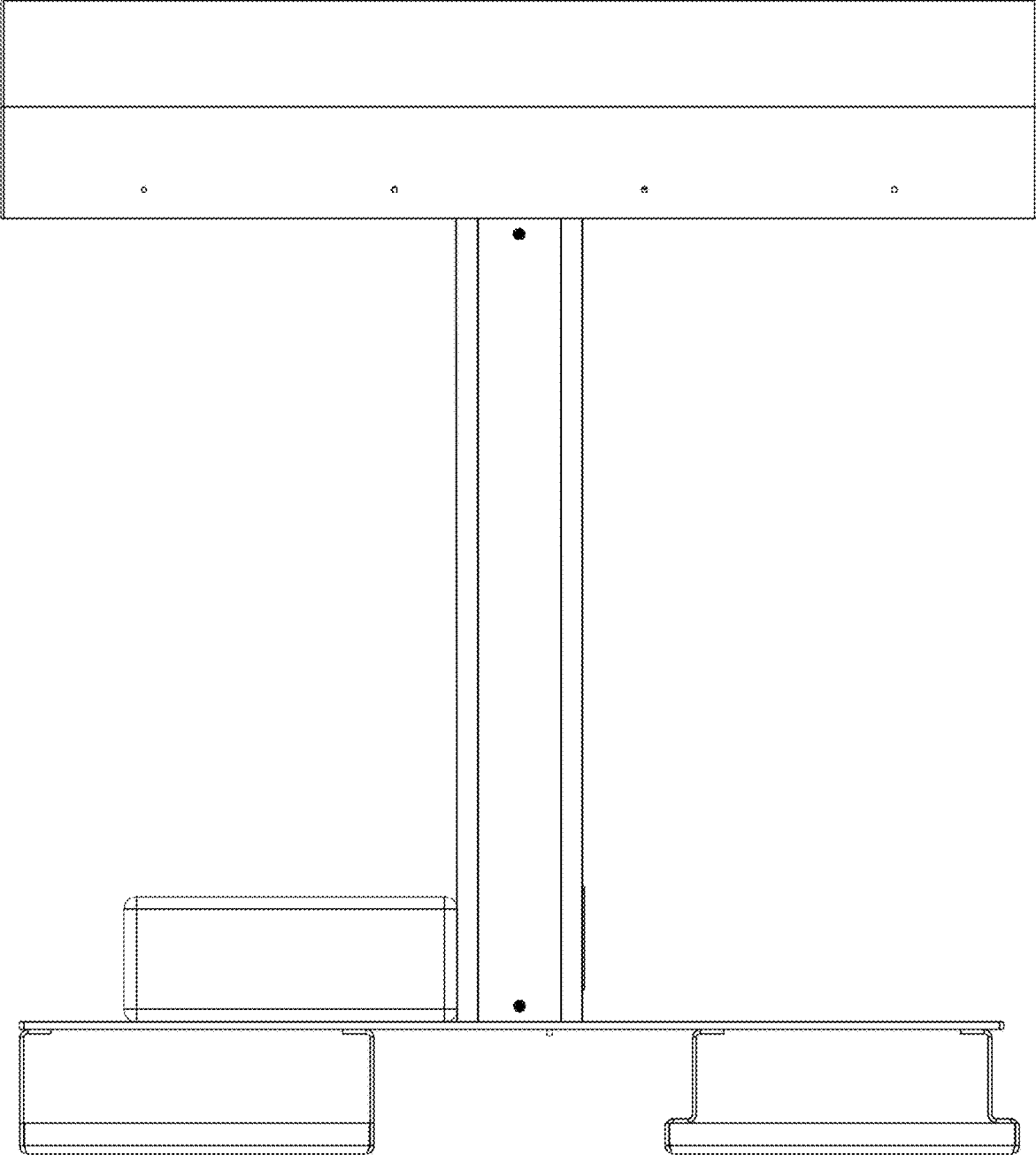


FIG. 2

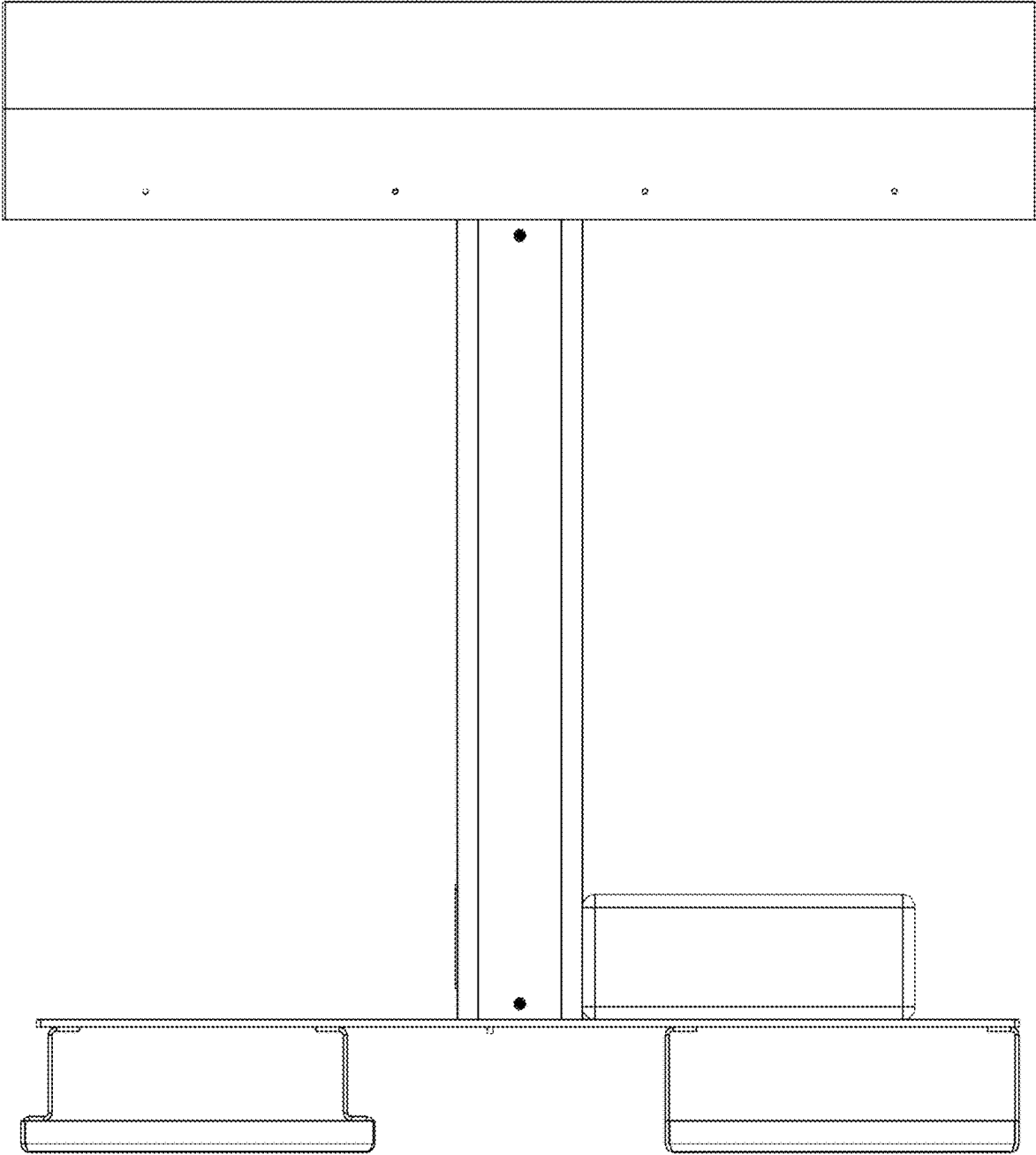


FIG. 3

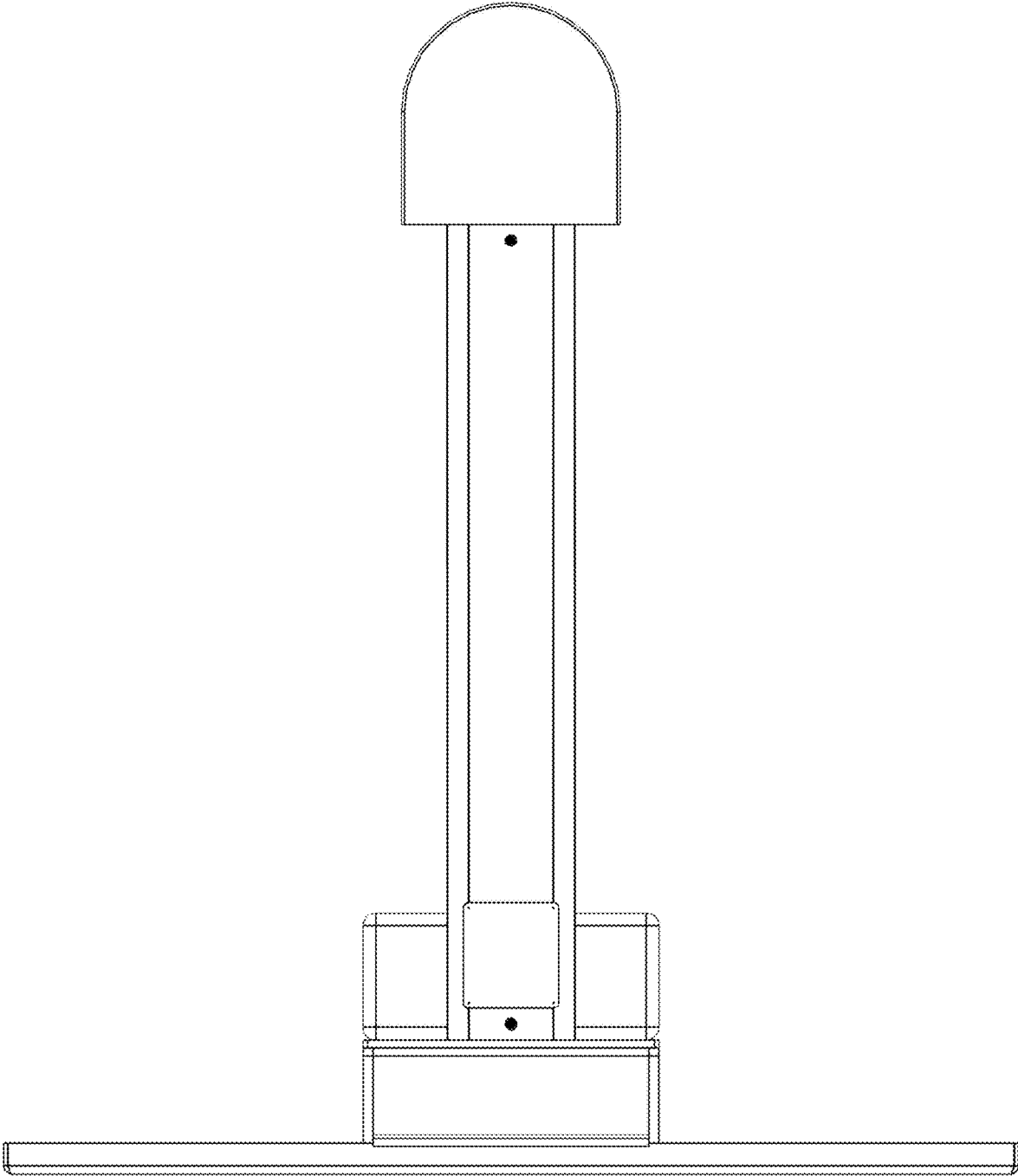


FIG. 4

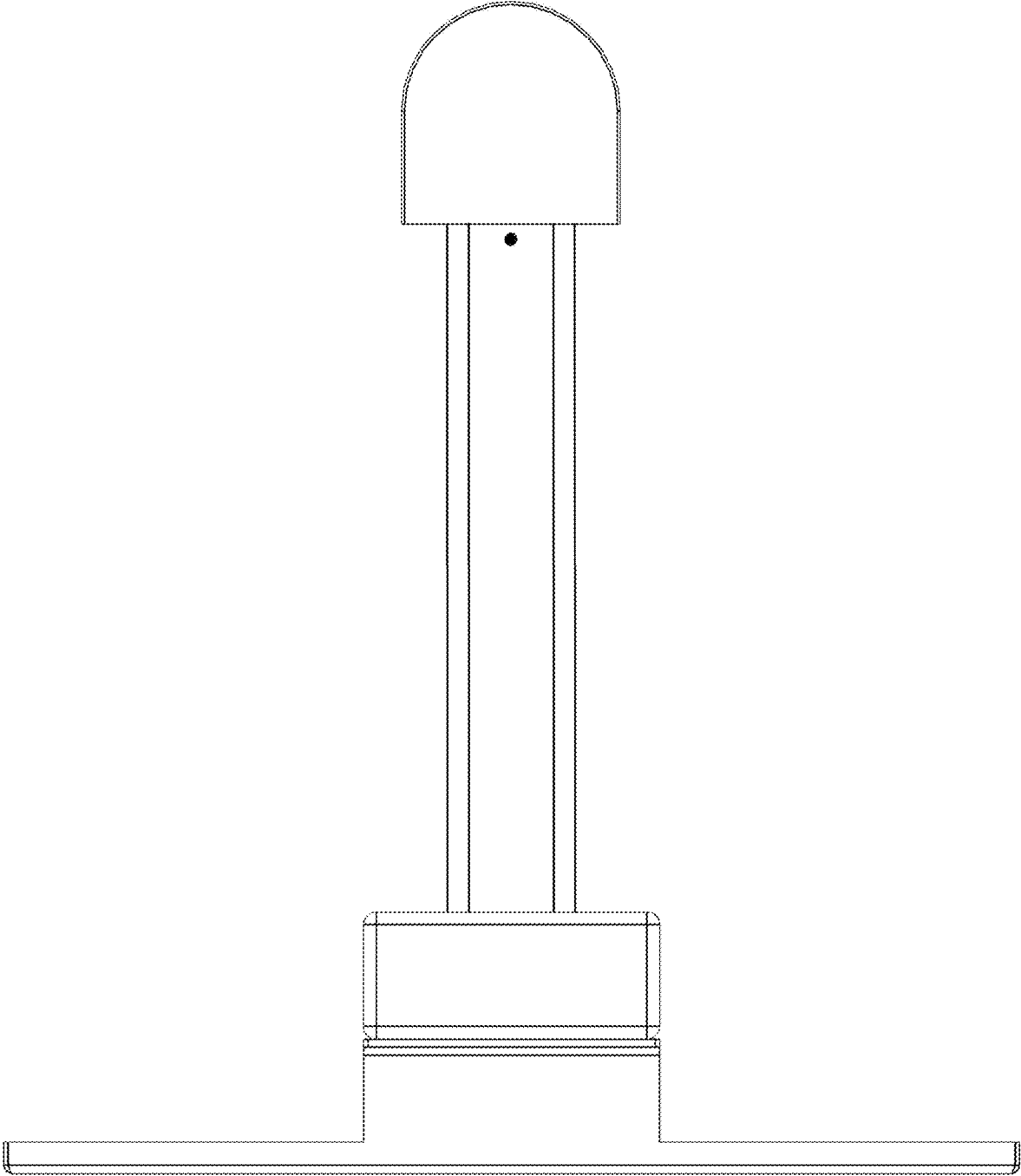


FIG. 5

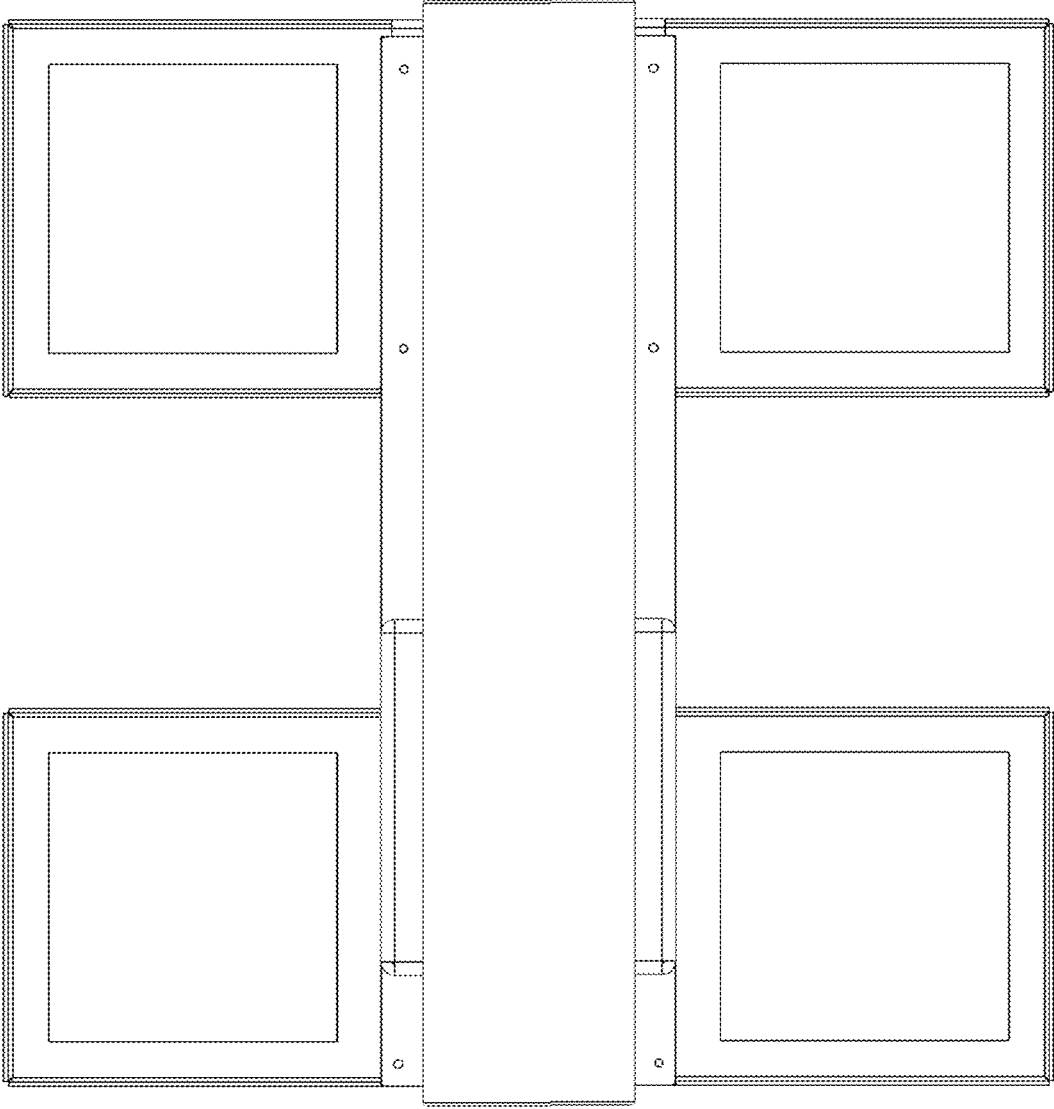


FIG. 6

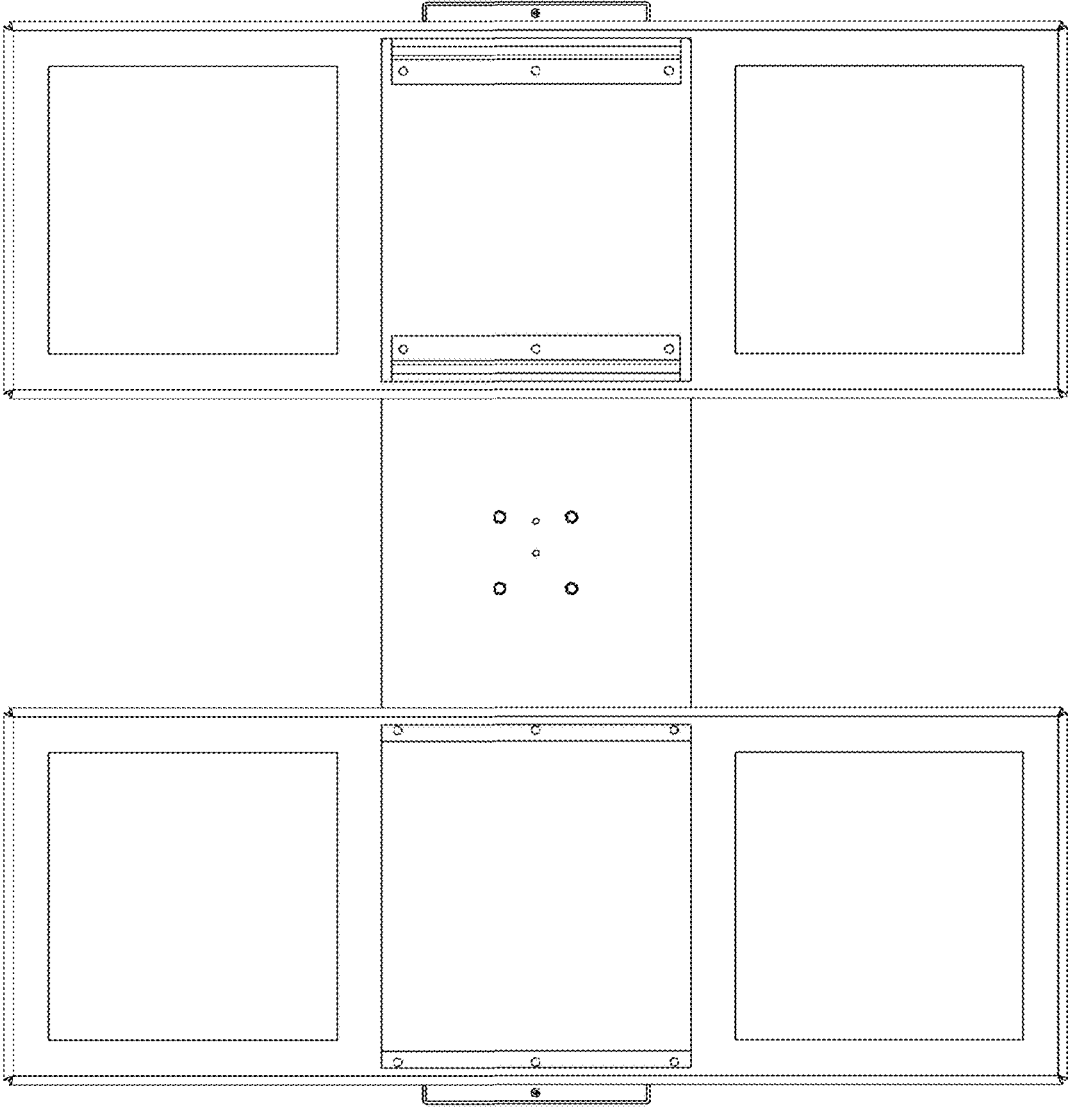


FIG. 7

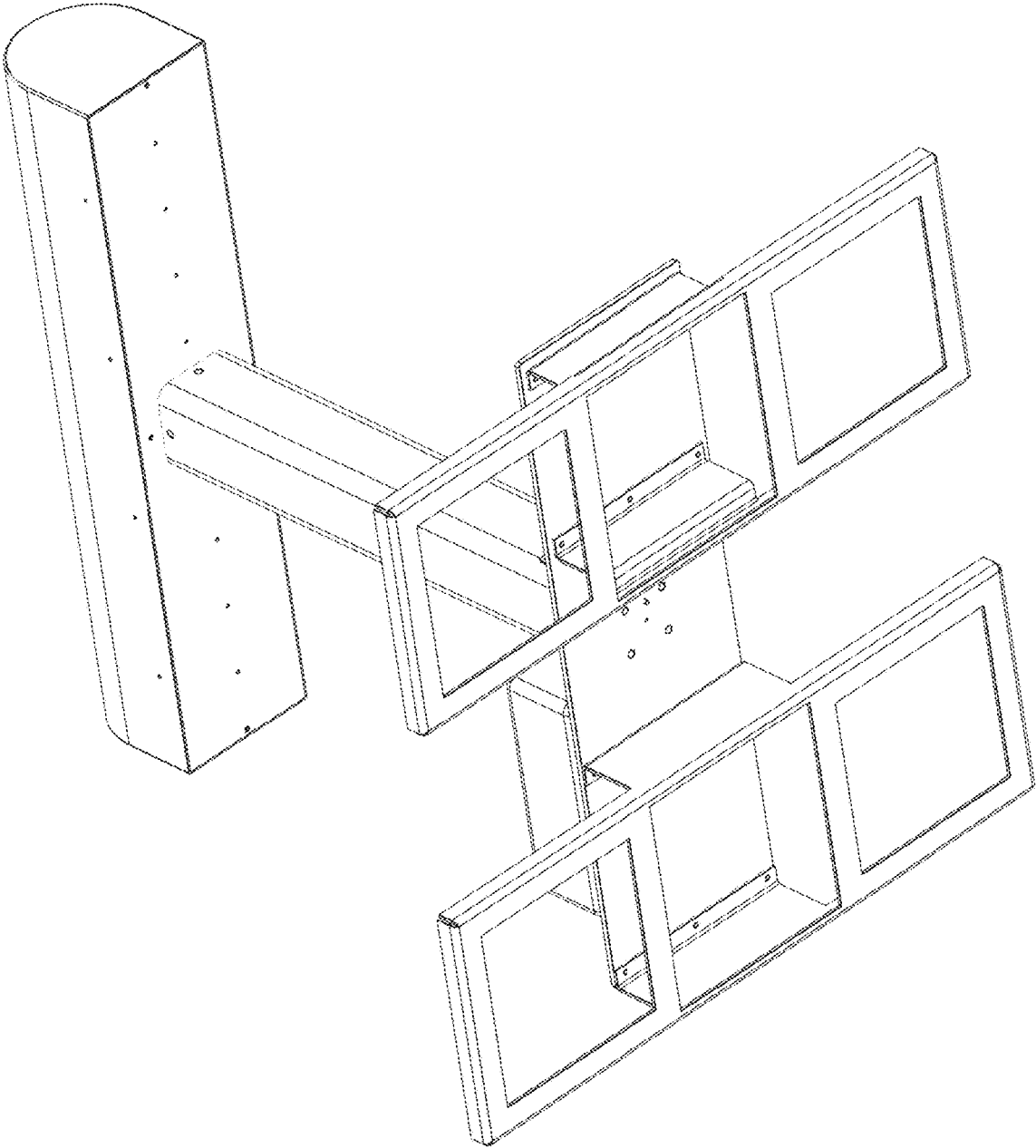


FIG. 8

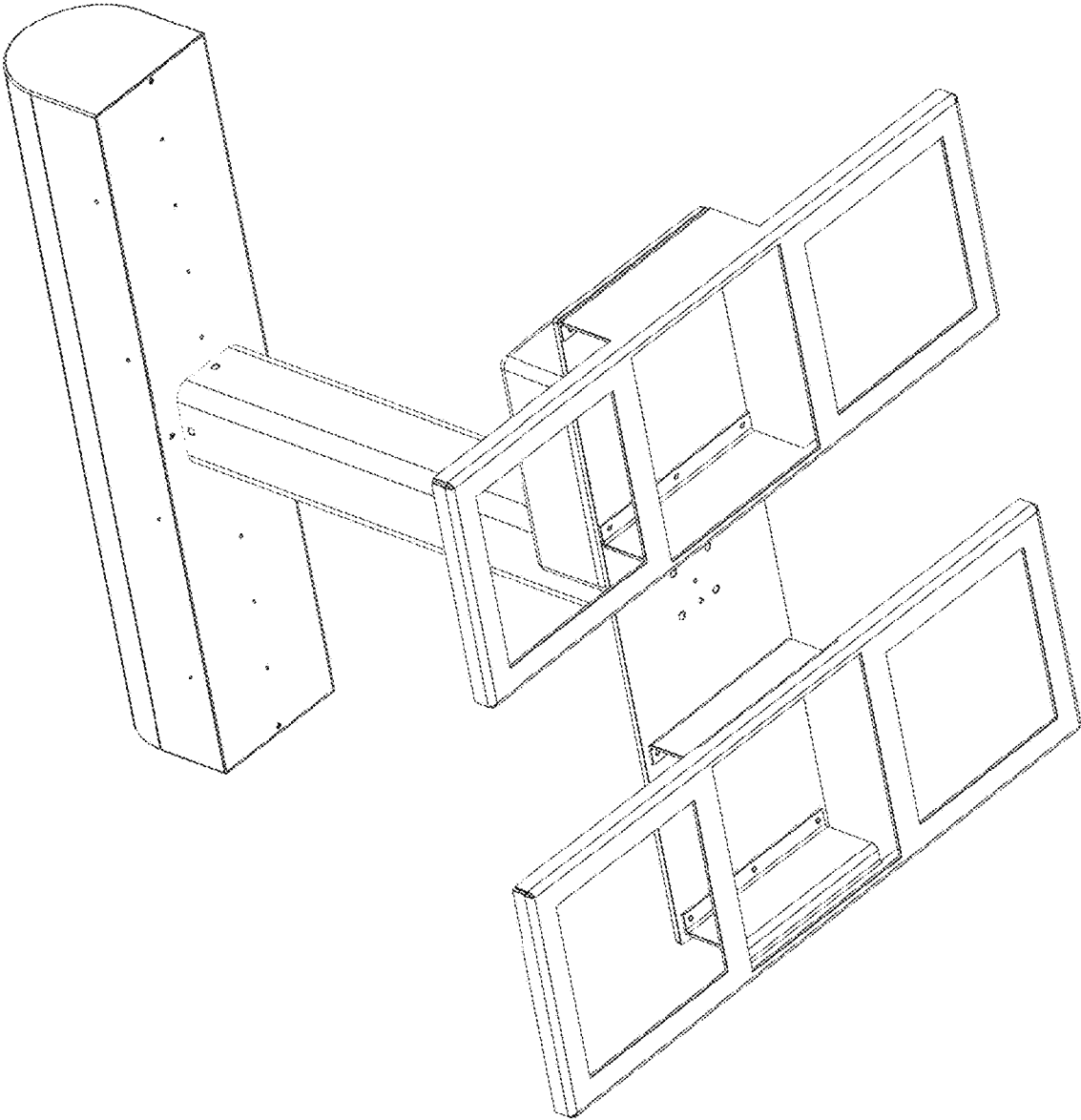


FIG. 9