



(11) **EP 4 417 251 A3**

(12) **EUROPEAN PATENT APPLICATION**

- (88) Date of publication A3: **16.10.2024 Bulletin 2024/42**
- (43) Date of publication A2: **21.08.2024 Bulletin 2024/34**
- (21) Application number: **24186323.2**
- (22) Date of filing: **18.12.2020**
- (51) International Patent Classification (IPC):  
**A61N 5/067** <sup>(2006.01)</sup> **A61B 18/20** <sup>(2006.01)</sup>  
**G06F 21/31** <sup>(2013.01)</sup>
- (52) Cooperative Patent Classification (CPC):  
**A61N 5/0613; A61B 18/203; A61N 5/067;**  
**G06F 21/31; G06F 21/44; G16H 10/60;**  
**G16H 20/10; G16H 20/40; A61B 2018/00452**

- (84) Designated Contracting States:  
**AL AT BE BG CH CY CZ DE DK EE ES FI FR GB GR HR HU IE IS IT LI LT LU LV MC MK MT NL NO PL PT RO RS SE SI SK SM TR**
- (30) Priority: **23.12.2019 US 201962952793 P**
- (62) Document number(s) of the earlier application(s) in accordance with Art. 76 EPC:  
**20907047.3 / 4 081 151**
- (71) Applicant: **Avava, Inc.**  
**Waltham MA 02451 (US)**

- (72) Inventors:
- **BHAWALKAR, Jayant**  
**Auburndale, MA 02466 (US)**
  - **LEVINE, Lewis J.**  
**Marlborough, MA 01752 (US)**
  - **DRESSER, Charles Holland**  
**Wayland, MA 01778 (US)**
  - **KATKAM, Rajender**  
**Waltham, MA 02453 (US)**
- (74) Representative: **LKGLOBAL**  
**Lorenz & Kopf Patentanwalt**  
**Attorney at Law PartG mbB**  
**Brienner Straße 11**  
**80333 München (DE)**

(54) **SYSTEMS, METHODS AND COMPUTER-ACCESSIBLE MEDIUM FOR A FEEDBACK ANALYSIS AND/OR TREATMENT OF AT LEAST ONE PATIENT USING AN ELECTROMAGNETIC RADIATION TREATMENT DEVICE**

(57) A system is proposed, comprising an electromagnetic radiation (EMR) treatment device configured to generate a treatment EMR beam to treat a patient tissue afflicted with a condition, the EMR treatment device being operable at a set of base parameters; at least one processor; and at least one non-transitory computer-readable storage medium storing instructions thereon that, when executed by the at least one processor, cause the at least one processor to perform a method including the steps of receive patient data from a remote network in electronic communication with the at least one processor, the patient data including at least one pretreatment image of the patient tissue; determine one or more recommended changes to the set of base treatment parameters based on the received patient data; offer the determined one or more recommended changes to a treatment operator; and append the patient data with at least one posttreatment image of the patient tissue.

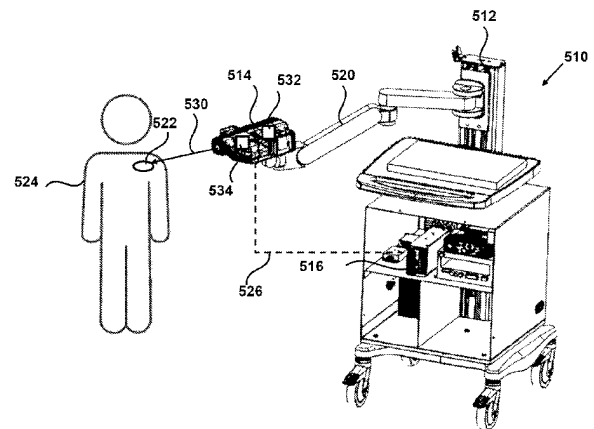


FIG. 5



EUROPEAN SEARCH REPORT

Application Number

EP 24 18 6323

5

DOCUMENTS CONSIDERED TO BE RELEVANT

10

15

20

25

30

35

40

45

Category	Citation of document with indication, where appropriate, of relevant passages	Relevant to claim	CLASSIFICATION OF THE APPLICATION (IPC)
X	US 2013/158440 A1 (ALLISON JOHN W [US]) 20 June 2013 (2013-06-20)	1-3,6,7, 9-11,14, 15,17	INV. A61N5/067 A61B18/20
Y	* the whole document *	4,5,8, 12,13,16	G06F21/31
Y	US 2004/206365 A1 (KNOWLTON EDWARD WELLS [US]) 21 October 2004 (2004-10-21) * paragraph [0193] - paragraph [0210] *	4,12	
Y	US 2002/049432 A1 (MUKAI HIDEO [JP]) 25 April 2002 (2002-04-25) * claim 1 *	5,13	
Y	US 2018/154167 A1 (KIM NAM GYUN [KR] ET AL) 7 June 2018 (2018-06-07) * claim 1 *	8,16	
Y	AU 2011 319 475 A1 (EUROFEEDBACK SA [FR]) 23 May 2013 (2013-05-23) * page 9, line 3 - line 10 *	8,16	
			TECHNICAL FIELDS SEARCHED (IPC)
			A61B A61N

1

The present search report has been drawn up for all claims

50

Place of search <b>Munich</b>	Date of completion of the search <b>6 September 2024</b>	Examiner <b>Beck, Ewa</b>
----------------------------------	---	------------------------------

55

EPO FORM 1503 03:82 (P04C01)

CATEGORY OF CITED DOCUMENTS  
 X : particularly relevant if taken alone  
 Y : particularly relevant if combined with another document of the same category  
 A : technological background  
 O : non-written disclosure  
 P : intermediate document

T : theory or principle underlying the invention  
 E : earlier patent document, but published on, or after the filing date  
 D : document cited in the application  
 L : document cited for other reasons  
 .....  
 & : member of the same patent family, corresponding document

ANNEX TO THE EUROPEAN SEARCH REPORT  
ON EUROPEAN PATENT APPLICATION NO.

EP 24 18 6323

5 This annex lists the patent family members relating to the patent documents cited in the above-mentioned European search report. The members are as contained in the European Patent Office EDP file on The European Patent Office is in no way liable for these particulars which are merely given for the purpose of information.

06 - 09 - 2024

Patent document cited in search report	Publication date	Patent family member(s)	Publication date
US 2013158440 A1	20-06-2013	EP 2346428 A1	27-07-2011
		US 2010081971 A1	01-04-2010
		US 2013158440 A1	20-06-2013
		WO 2010036732 A1	01-04-2010
-----			
US 2004206365 A1	21-10-2004	NONE	
-----			
US 2002049432 A1	25-04-2002	DE 60120276 T2	24-05-2007
		EP 1166723 A2	02-01-2002
		JP 2002011106 A	15-01-2002
		US 2002049432 A1	25-04-2002
-----			
US 2018154167 A1	07-06-2018	CN 107710273 A	16-02-2018
		EP 3457350 A1	20-03-2019
		JP 6916743 B2	11-08-2021
		JP 2019520091 A	18-07-2019
		KR 20170127362 A	21-11-2017
		KR 20200120579 A	21-10-2020
US 2018154167 A1	07-06-2018		
-----			
AU 2011319475 A1	23-05-2013	AU 2011319475 A1	23-05-2013
		BR 112013009585 A2	12-07-2016
		EP 2629692 A1	28-08-2013
		FR 2966339 A1	27-04-2012
		WO 2012052975 A1	26-04-2012
-----			