



US011895570B1

(12) **United States Patent**  
**Fitzpatrick et al.**

(10) **Patent No.:** **US 11,895,570 B1**

(45) **Date of Patent:** **\*Feb. 6, 2024**

(54) **SYSTEM AND METHOD FOR UNIVERSAL EMERGENCY NOTIFICATION AND MANAGEMENT**

(58) **Field of Classification Search**  
CPC ..... H04W 4/90; H04W 4/06; H04W 68/02; H04W 76/50

See application file for complete search history.

(71) Applicants: **Brian Fitzpatrick**, New Orleans, LA (US); **Henry Jeff Burkhardt**, New Orleans, LA (US)

(56) **References Cited**

U.S. PATENT DOCUMENTS

(72) Inventors: **Brian Fitzpatrick**, New Orleans, LA (US); **Henry Jeff Burkhardt**, New Orleans, LA (US)

8,866,606 B1 \* 10/2014 Will ..... G08B 25/005 455/418

8,937,658 B2 1/2015 Hicks et al.  
9,336,663 B1 5/2016 Cohen et al.

(Continued)

(\* ) Notice: Subject to any disclaimer, the term of this patent is extended or adjusted under 35 U.S.C. 154(b) by 76 days.

This patent is subject to a terminal disclaimer.

*Primary Examiner* — Charles N Appiah  
*Assistant Examiner* — Nicole M Louis-Fils  
(74) *Attorney, Agent, or Firm* — FOLEY & LARDNER LLP

(21) Appl. No.: **17/176,834**

(57) **ABSTRACT**

(22) Filed: **Feb. 16, 2021**

**Related U.S. Application Data**

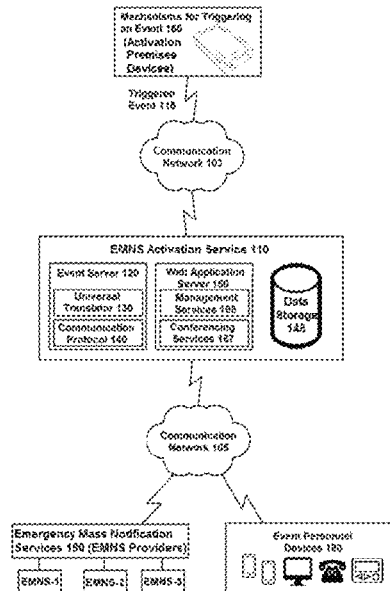
Systems and methods for triggering emergency mass notifications include an EMNS activation service, a plurality of activation premises devices, a plurality of EMNS provider services, and a plurality of event personnel devices. The EMNS activation service includes a universal translator module that receives an event trigger signal relating to an emergency event from one of the activation premises devices. The universal translator module translates the event trigger signal to event-specific EMNS protocols of the EMNS providers. The EMNS activation service communicates the event-specific EMNS protocols to the EMNS providers, and communicates event data to event personnel devices based on a list of event personnel devices to be notified of an emergency event. An activation premises device includes a housing event with trigger controls for creating the event trigger signal, wherein these event trigger controls are inaccessible to users in the absence of an authorized access or an emergency access.

(63) Continuation of application No. 16/723,199, filed on Dec. 20, 2019, now Pat. No. 10,924,910, which is a continuation of application No. 16/254,393, filed on Jan. 22, 2019, now Pat. No. 10,667,116, which is a continuation of application No. 15/699,194, filed on Sep. 8, 2017, now Pat. No. 10,187,776, which is a (Continued)

(51) **Int. Cl.**  
**H04W 4/90** (2018.01)  
**H04W 4/06** (2009.01)  
**H04W 68/02** (2009.01)  
**H04W 76/50** (2018.01)

(52) **U.S. Cl.**  
CPC ..... **H04W 4/90** (2018.02); **H04W 4/06** (2013.01); **H04W 68/02** (2013.01); **H04W 76/50** (2018.02)

**21 Claims, 11 Drawing Sheets**



**Related U.S. Application Data**

continuation of application No. 14/972,299, filed on Dec. 17, 2015, now Pat. No. 9,788,183.

(60) Provisional application No. 62/093,017, filed on Dec. 17, 2014.

(56) **References Cited**

U.S. PATENT DOCUMENTS

9,788,183	B1	10/2017	Fitzpatrick et al.	
10,187,776	B1	1/2019	Fitzpatrick et al.	
2003/0012344	A1	1/2003	Agarwal et al.	
2006/0133582	A1*	6/2006	McCulloch .....	H04L 51/04 379/45
2007/0223509	A1	9/2007	Chatterjee et al.	
2008/0015794	A1	1/2008	Eiler et al.	
2008/0166992	A1*	7/2008	Ricordi .....	G08B 21/0453 455/416
2009/0128323	A1	5/2009	Milbar	
2009/0247114	A1	10/2009	Sennett et al.	
2010/0277307	A1	11/2010	Horton et al.	
2014/0155018	A1	6/2014	Fan et al.	
2014/0282934	A1*	9/2014	Miasnik .....	H04W 4/90 726/5
2015/0317356	A1*	11/2015	Deichler .....	G06Q 10/10 707/760
2016/0094967	A1	3/2016	Sulaiman et al.	

\* cited by examiner

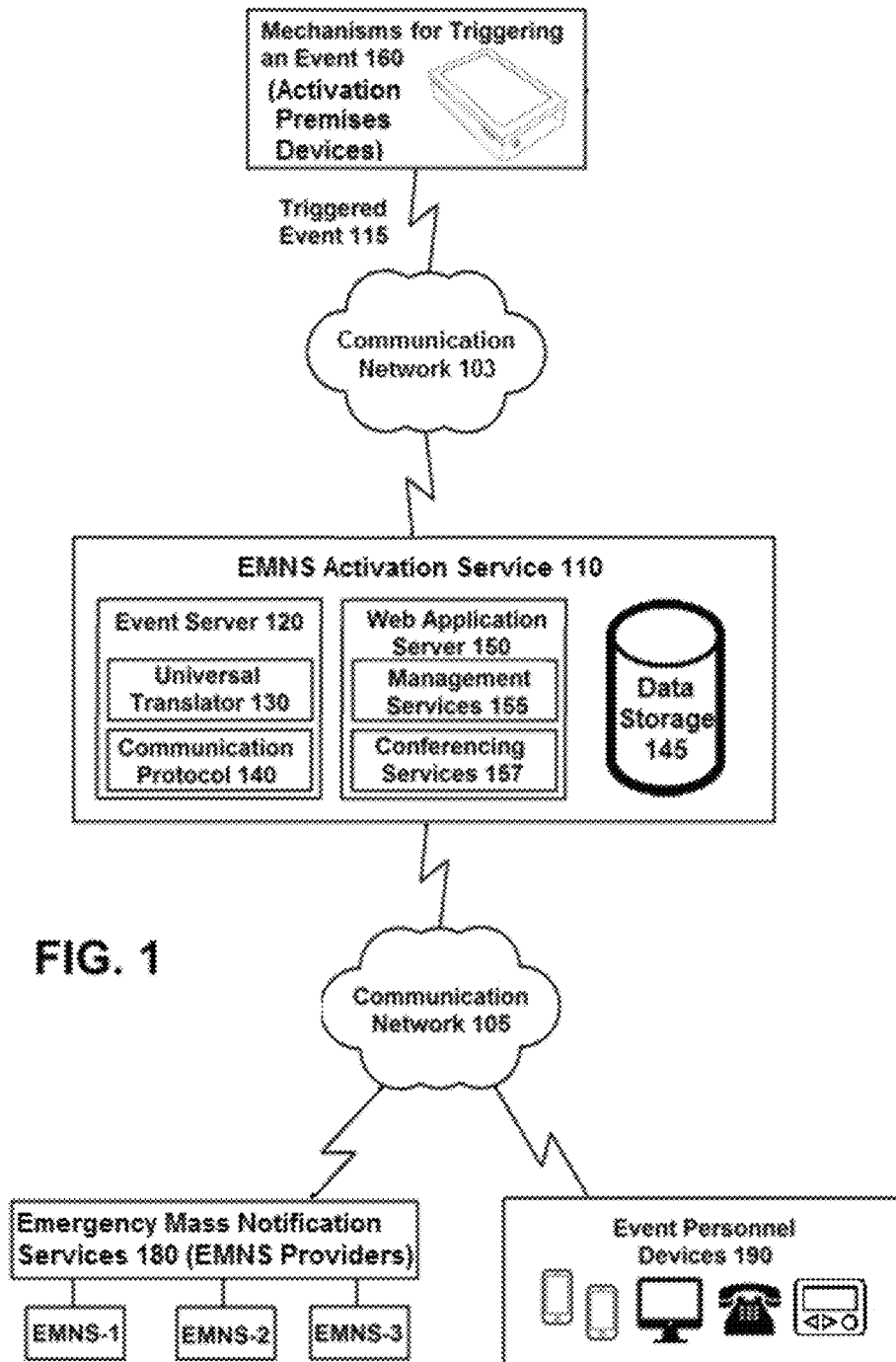


FIG. 1

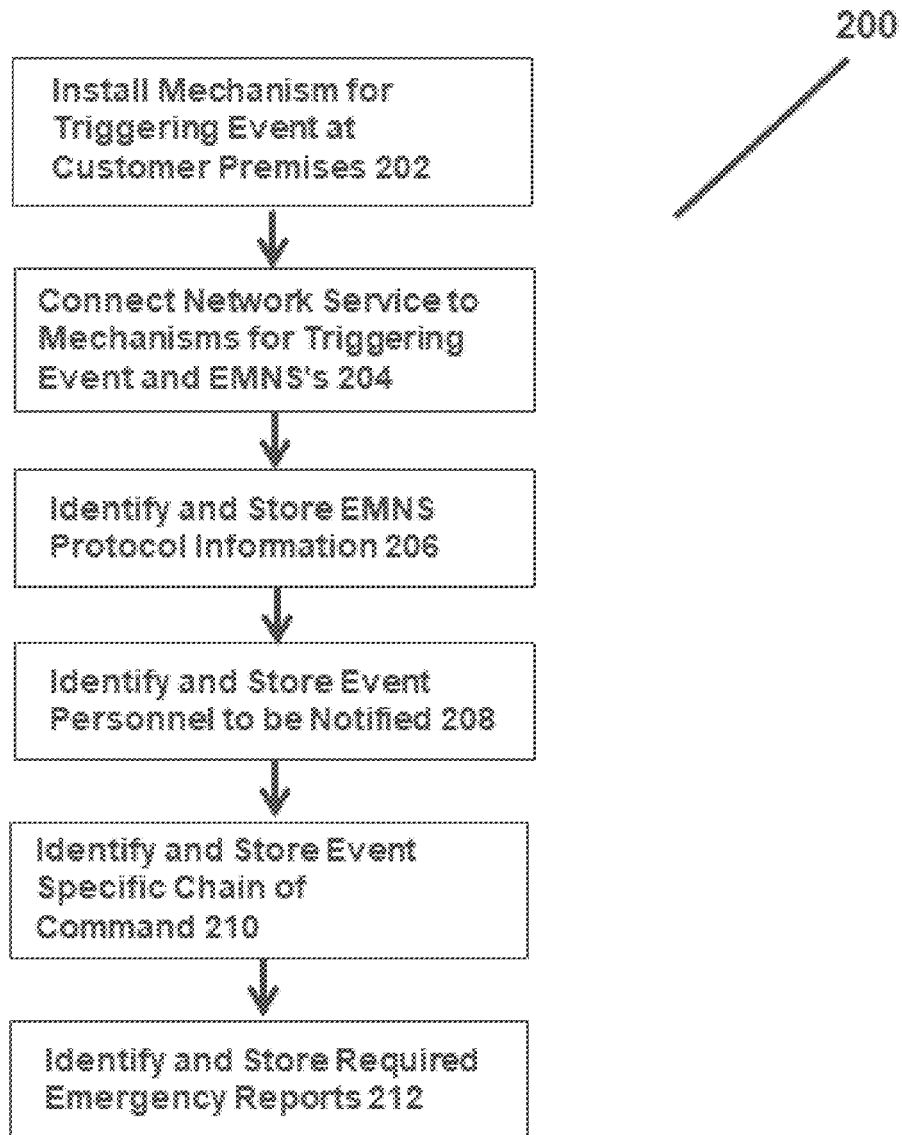


FIG. 2

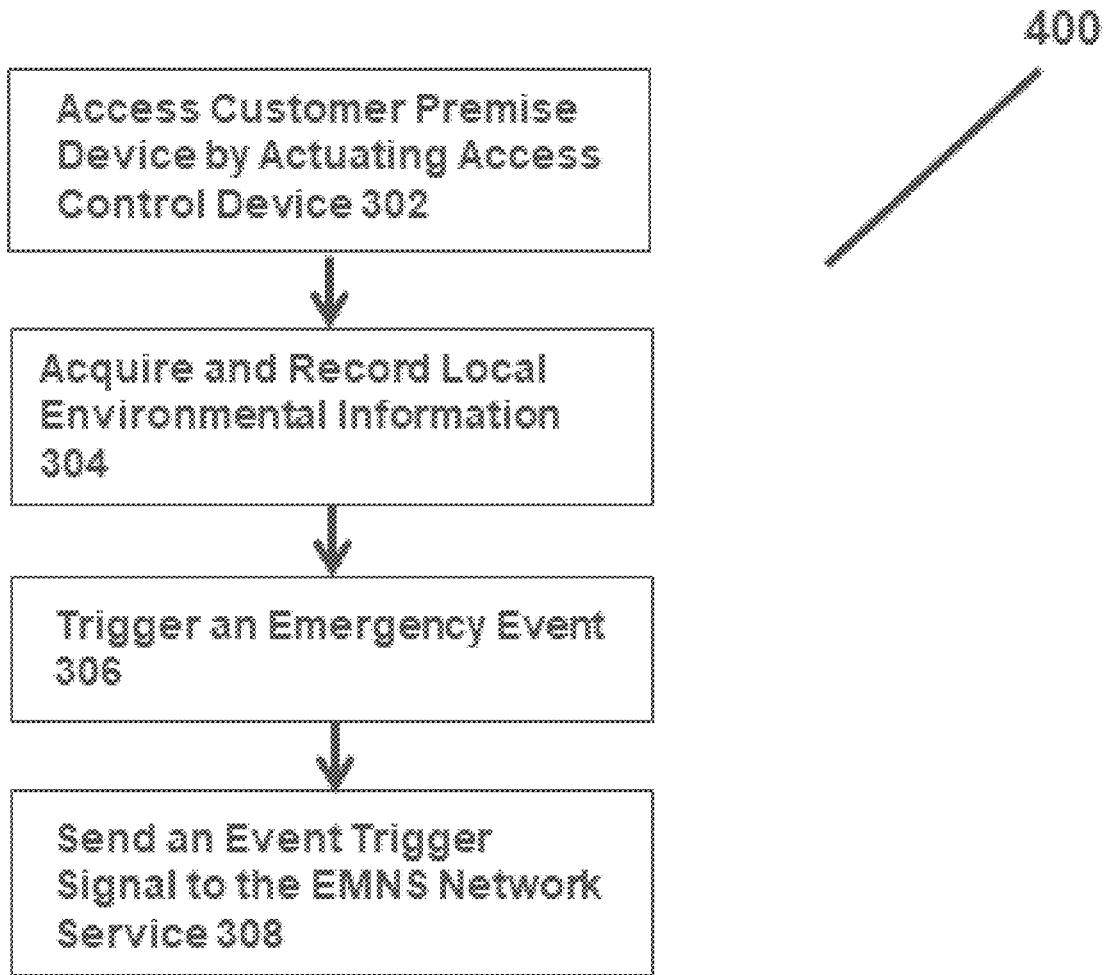


FIG. 3

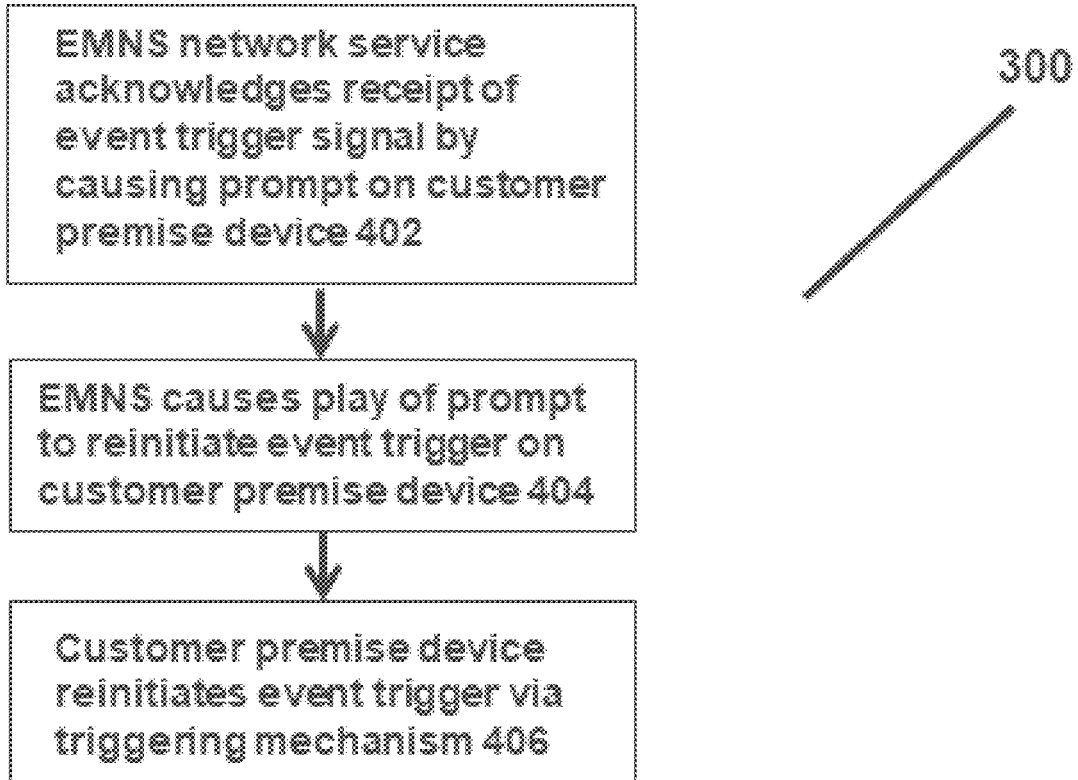


FIG. 4

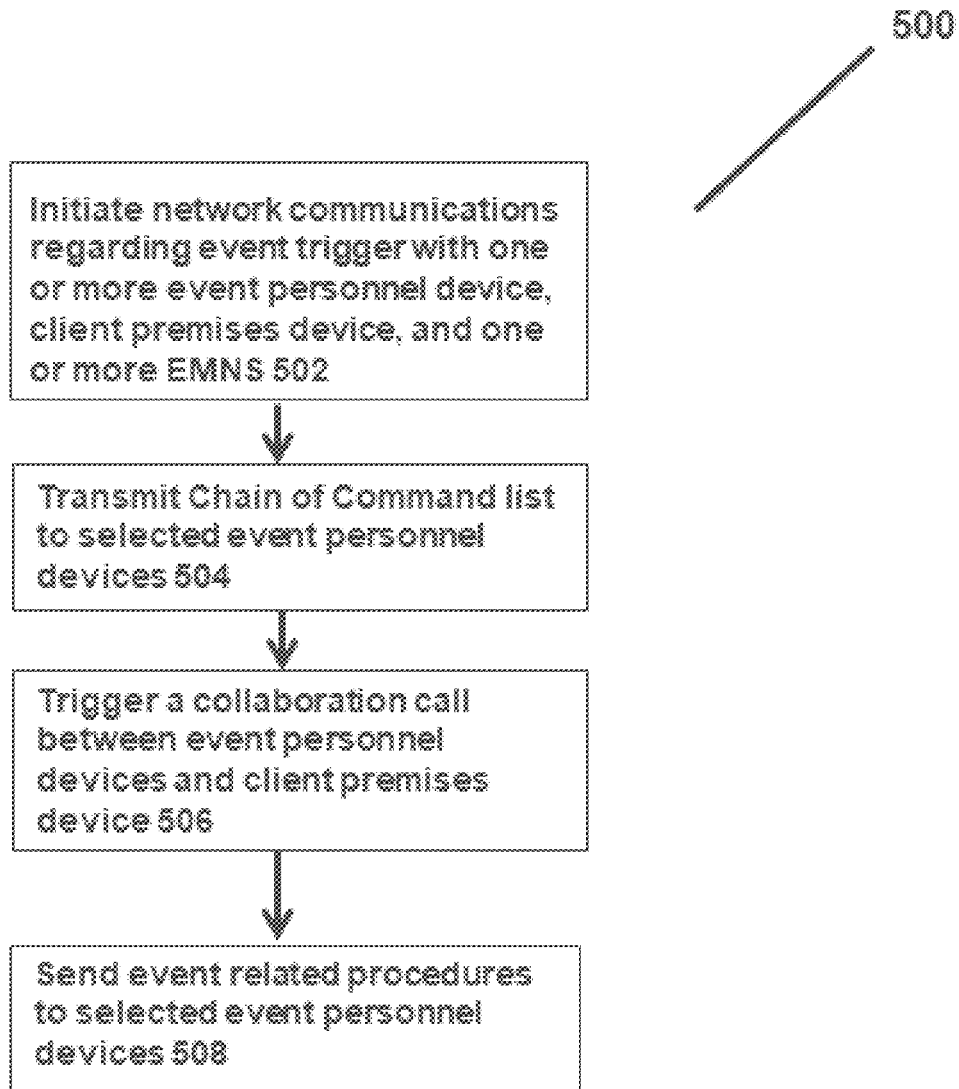


FIG. 5

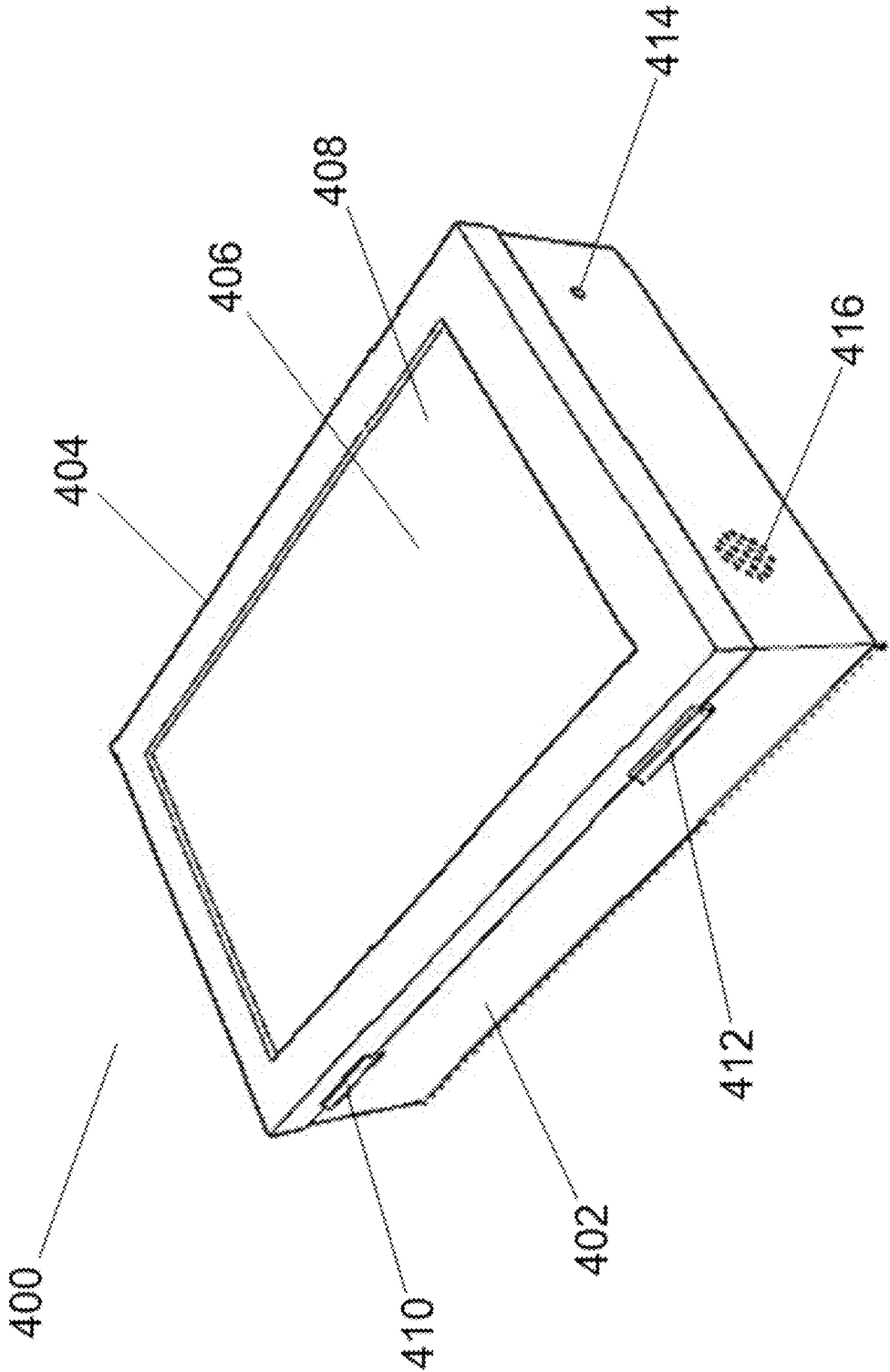


FIG. 6



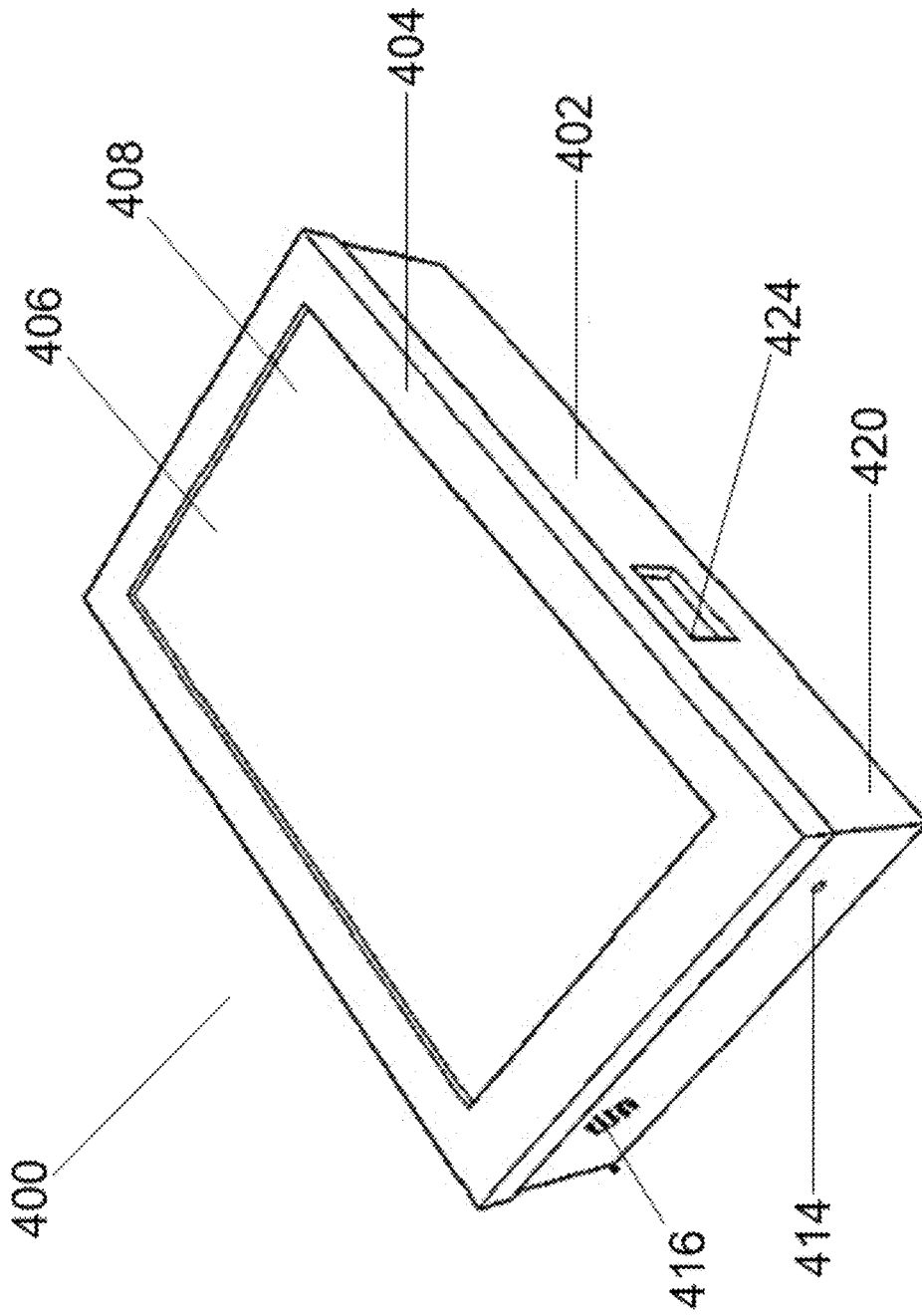


FIG. 7

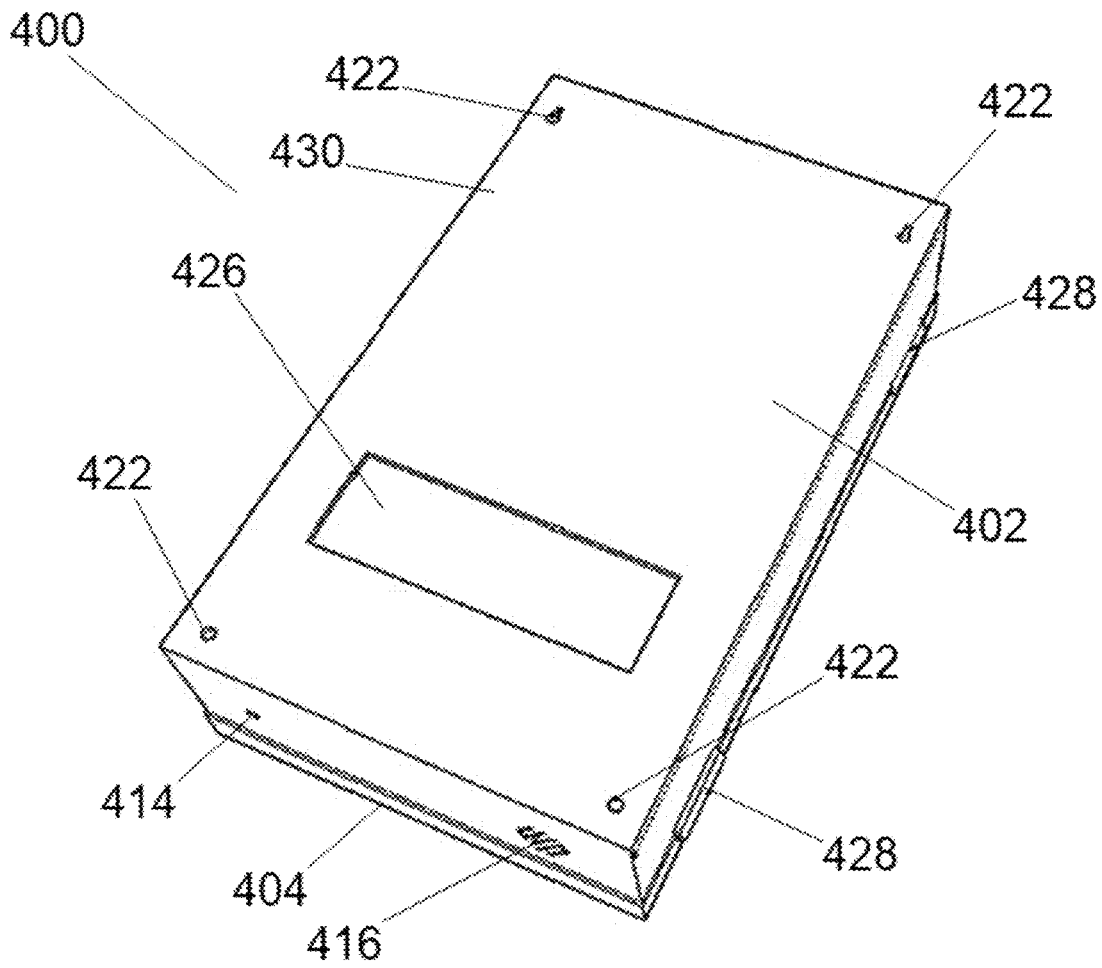


FIG. 8

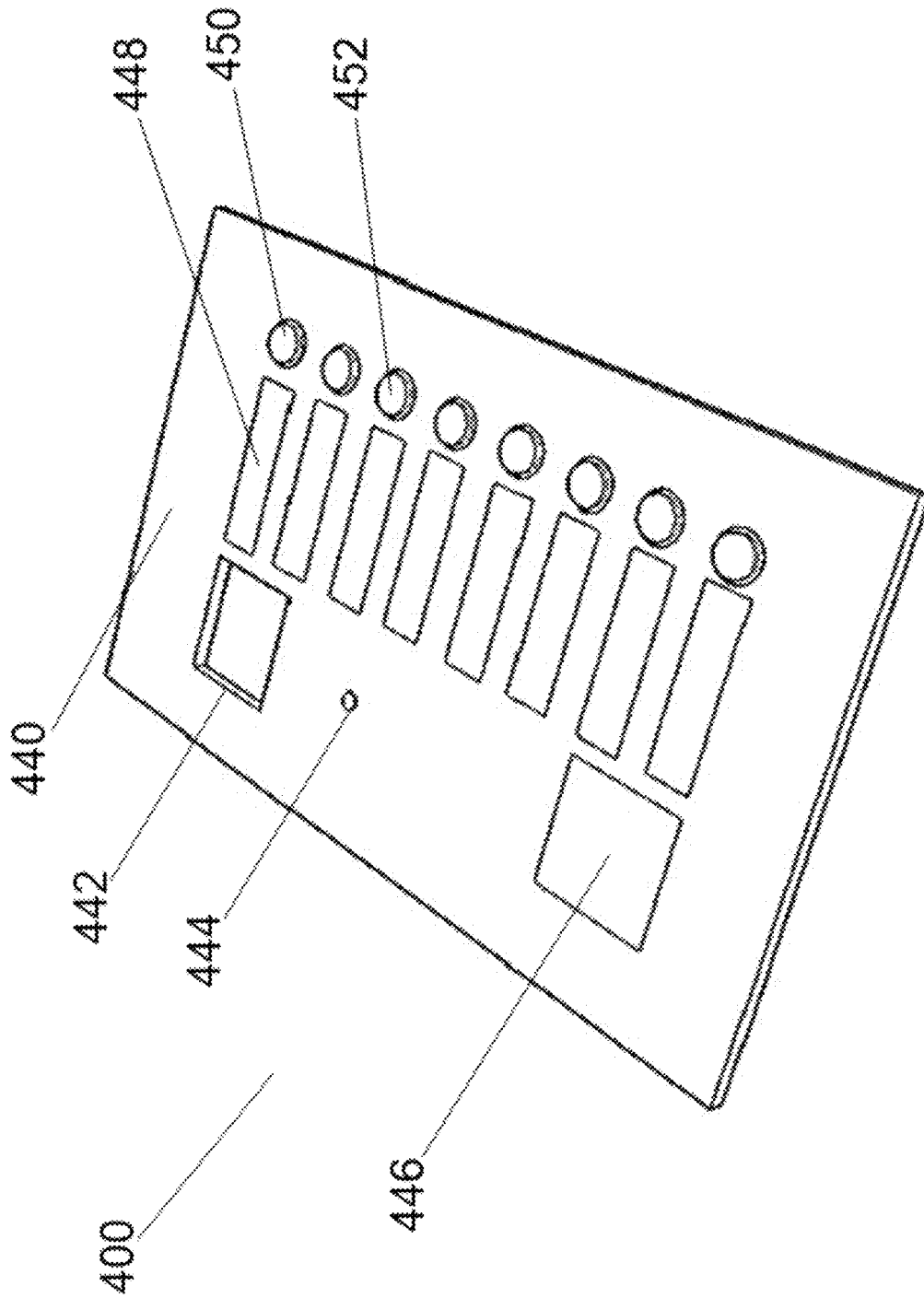


FIG. 9

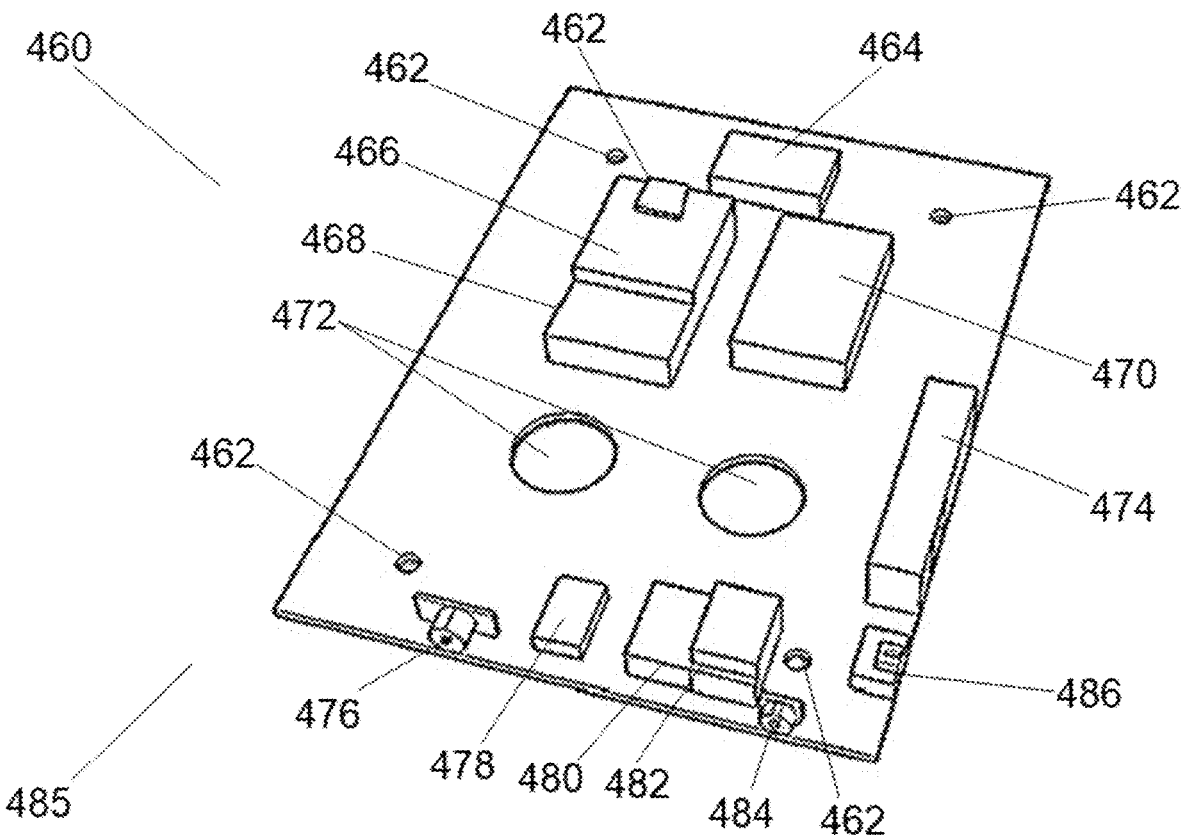


FIG. 10

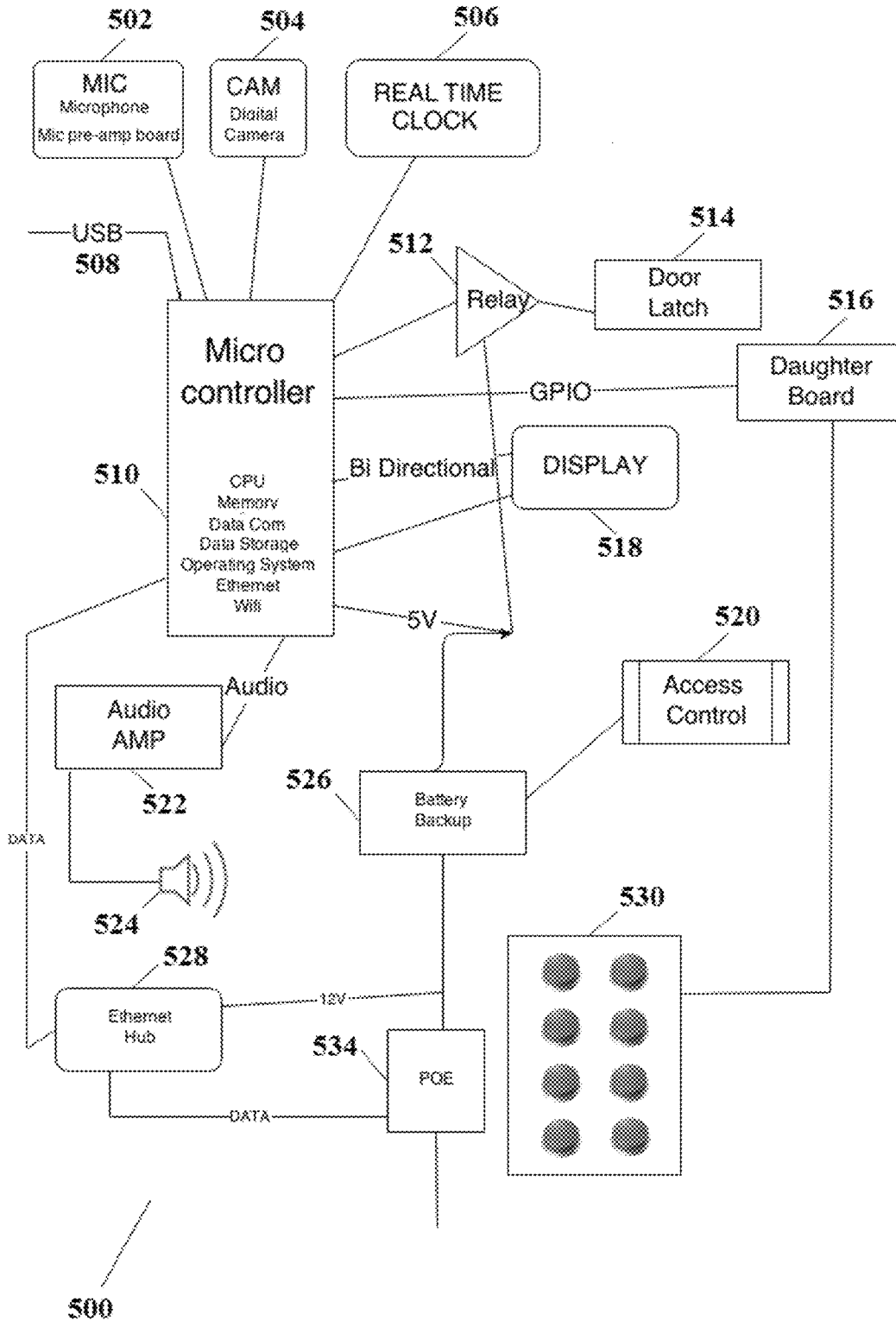


FIG. 11

# SYSTEM AND METHOD FOR UNIVERSAL EMERGENCY NOTIFICATION AND MANAGEMENT

## CROSS-REFERENCE TO RELATED APPLICATION

The present application is a continuation of U.S. Ser. No. 16/723,199, entitled "SYSTEM AND METHOD FOR UNIVERSAL EMERGENCY NOTIFICATION AND MANAGEMENT," filed Dec. 20, 2019, which is a continuation of U.S. Ser. No. 16/254,393, entitled "SYSTEM AND METHOD FOR UNIVERSAL EMERGENCY NOTIFICATION AND MANAGEMENT," filed Jan. 22, 2019, which is a continuation of U.S. Ser. No. 15/699,194, entitled "SYSTEM AND METHOD FOR UNIVERSAL EMERGENCY NOTIFICATION AND MANAGEMENT," filed Sep. 8, 2017, now U.S. Pat. No. 10,187,776, issued Jan. 22, 2019, which is a continuation of U.S. Ser. No. 14/972,299, entitled "SYSTEM AND METHOD FOR UNIVERSAL EMERGENCY NOTIFICATION AND MANAGEMENT," filed Dec. 17, 2015, now U.S. Pat. No. 9,788,183, issued Oct. 10, 2017, which claims benefit of U.S. Provisional Application No. 62/093,017 filed Dec. 17, 2014, entitled "SYSTEM AND METHOD FOR UNIVERSAL EMERGENCY NOTIFICATION AND MANAGEMENT," all of which are hereby incorporated by reference in their entirety.

## TECHNICAL FIELD OF DISCLOSURE

The present invention relates generally to emergency notification and management, and more particularly to emergency mass notification systems and methods.

## BACKGROUND

Emergency mass notification system (EMNS) providers distribute succinct information to masses of individuals during an emergency event. Recently, EMNS providers have focused on broad functionality and have turned to computer interfaces for the activation of their products due to the wide range of alerts needed. While the ease of networked communication allows more rapid information dissemination, there are complexities due to the different protocols required by communication infrastructure and networks. Therefore, selecting the most appropriate message to disseminate can take considerable time.

Many emergency managers utilize multiple services to provide the scope of notifications that they deem necessary. For example, one service might send out text messages (SMS), another would create pop-up messages on computer workstations, and a third might initiate audible announcements across a large campus, both indoor and outdoor. Other services may turn on reader board displays, scroll text across the bottom of TV's, make phone calls to subscribers, send emails, call phones, lock down buildings, etc.

The time required to get to an emergency manager's workstation, log on, open the emergency notification application, authenticate the user, find the correct message, and initiate the message is considerable. Doing this for each notification system adds additional time to this process, and is dependent upon each service and system being available and functioning correctly. In current systems, the time necessary to complete the activation of notifications allows for additional damage and loss of life.

Another issue, typically overlooked, as it does not emerge in EMNS system tests, is the immediate overload of most

communications systems in the area during actual emergencies. Persons receiving EMNS alerts immediately attempt to contact someone (parent, boss, local authority, etc.). Cellular systems, PBX systems, telco switches, SMS carriers all go into overload. Two way radio systems become over-active and depend on push to talk (PTT) protocols requiring clear air to initiate a message. Critical communications relevant to emergency management cannot get through. Cellular providers do provide priority queuing to registered emergency managers, but this does not resolve all of the issues.

## SUMMARY

Disclosed herein are systems and methods for emergency mass notification, herein sometimes referred to as "Emergency Mass Notification Systems" or "EMNS." In an embodiment, the present systems and methods combine the simplicity of a mechanical device, suitable for signaling under duress, with simplified network communication for triggering multiple EMNS providers. It is generally done by having one or more devices located at a facility, that allow an activation premises to activate an event trigger. The event trigger is not in itself an emergency mass notification, but activates a process for EMNS notifications via EMNS providers. The devices have push button functionality that are in operable connection to an EMNS activation service, where the EMNS activation service comprises a universal translator program that translates the event-specific messages from the customer to the appropriate protocols required by one or more EMNS provider. In an embodiment, the EMNS activation services maintains data on event personnel to be notified of event data based on an activated event trigger, wherein such notifications are communicated to the event personnel by one or more of the EMNS providers, not by the EMNS activation service. In parallel with the notification communications of event data based on the activated event trigger, the EMNS activation service provides conferencing services to initiate a collaboration call including designated emergency managers and the party that activated the device for triggering an event.

In one embodiment, an event trigger can be activated with a mechanical device including a push button interface with a series of activation buttons. In another embodiment, the activation buttons of a mechanical device for activating an event trigger can be emulated in a smartphone EMNS activation app, in which the app may provide an alternative device for an emergency manager use of the service.

In another embodiment, the EMNS activation service may be capable of handling a variety of emergency management services and management functions. In one embodiment, the EMNS activation service may be used to initiate a telephone conference among emergency managers. In an embodiment, the EMNS activation service may be used to manage and update the chain of command for emergency management. In an embodiment the EMNS activation service may be used to disseminate emergency management protocols. In an embodiment, the EMNS activation service may be used for automated compliance reporting.

In an embodiment, a processor based method of providing a notification comprises receiving, by a processor communicatively coupled to a database, an event trigger signal transmitted by an activation premises device, the event trigger signal relating to an emergency event at an activation premises, wherein the database stores EMNS protocol information for a plurality of EMNS provider services, and a list of a plurality of event personnel devices associated with a plurality of event personnel to be notified of an emergency

3

event; and wherein the activation premises device has a stationary location at the activation premises and is configured to accept a user input that initiates the event trigger signal in a predefined format, and to record local environmental information at the stationary location and include the local environmental information in the event trigger signal; translating, by the processor, the event trigger signal for each one of the plurality of EMNS provider services to event data in an event-specific EMNS protocol based upon the EMNS protocol information stored for that one of the plurality of EMNS providers; transmitting, by the processor, the event data in the event-specific EMNS protocol to each one of the plurality of EMNS provider services; and communicating, by the processor, data based upon the event trigger signal to at least one of the plurality of event personnel devices associated with the plurality of event personnel to be notified of an emergency event.

In an embodiment, a processor based method of providing a notification, comprises receiving, by a processor communicatively coupled to a database, an event trigger signal transmitted by an activation premises device, the event trigger signal relating to an emergency event, wherein the database stores EMNS protocol information for a plurality of EMNS provider services, and a list of a plurality of event personnel devices associated with a plurality of event personnel to be notified of an emergency event; and wherein the activation premises device is configured to provide the event trigger signal in a predefined format; translating, by the processor, the event trigger signal for each one of the plurality of EMNS provider services to event data in an event-specific EMNS protocol based upon the EMNS protocol information stored for that one of the plurality of EMNS providers; transmitting, by the processor, the event data in the event-specific EMNS protocol to each one of the plurality of EMNS provider services; communicating, by the processor, data based upon the event trigger signal to at least two of the plurality of event personnel devices associated with the plurality of event personnel to be notified of an emergency event; and initiating a collaboration conference call via communications with the activation premises device and via communications with the at least two of the plurality of event personnel devices.

In an embodiment, a system comprises an EMNS activation server configured with a computer-readable storage medium, communicatively coupled to a communication network, and including modules executable by a processor of the EMNS activation server, wherein the computer-readable storage medium is configured to store EMNS protocol information for a plurality of EMNS provider services and a list of a plurality of event personnel devices associated with a plurality of event personnel to be notified of an emergency event; the modules comprising: a universal translator module configured to receive an event trigger signal transmitted by an activation premises device, the event trigger signal relating to an emergency event; configured to translate the event trigger signal for each one of the plurality of EMNS provider services to event data in an event-specific EMNS protocol based upon the stored EMNS protocol information for that one of the plurality of EMNS providers; and a communication protocol module configured to communicate via the communication network to each one of the plurality of EMNS provider services the event data in the event-specific EMNS protocol, and configured to initiate a collaboration conference call via communications with the activation premises device and via communications with at least two of the plurality of event personnel devices

4

In an embodiment, a processor based method of providing a notification comprises receiving, by a processor communicatively coupled to a database, an event trigger signal transmitted by an activation premises device, the event trigger signal relating to an emergency event, wherein the database stores EMNS protocol information for a plurality of EMNS provider services, and a list of a plurality of event personnel devices associated with a plurality of event personnel to be notified of an emergency event; and wherein the activation premises device is configured to provide the event trigger signal in a predefined format; translating, by the processor, the event trigger signal for each one of the plurality of EMNS provider services to event data in an event-specific EMNS protocol based upon the EMNS protocol information stored for that one of the plurality of EMNS providers; transmitting, by the processor, the event data in the event-specific EMNS protocol to each one of the plurality of EMNS provider services; and communicating, by the processor, data based upon the event trigger signal to at least one of the plurality of event personnel devices associated with the plurality of event personnel to be notified of an emergency event.

In another embodiment, a system comprises an EMNS activation server configured with a computer-readable storage medium, communicatively coupled to a communication network, and including modules executable by a processor of the EMNS activation server, wherein the computer-readable storage medium is configured to store EMNS protocol information for a plurality of EMNS provider services and a list of a plurality of event personnel devices associated with a plurality of event personnel to be notified of an emergency event; the modules comprising a universal translator module configured to receive an event trigger signal transmitted by an activation premises device, the event trigger signal relating to an emergency event; configured to translate the event trigger signal for each one of the plurality of EMNS provider services to event data in an event-specific EMNS protocol based upon the stored EMNS protocol information for that one of the plurality of EMNS providers; and a communication protocol module configured to communicate via the communication network to each one of the plurality of EMNS provider services the event data in the event-specific EMNS protocol.

In a further embodiment, an activation premises device comprises a housing; a plurality of event trigger controls for creating an event trigger signal, the event trigger signal relating to an emergency event, wherein the event trigger controls are inaccessible to users within the housing in the absence of actuation of an authorized access module or one or more emergency access control devices; a communication module communicatively coupled to the event trigger controls and a communication network for communicating the event trigger signal to an EMNS activation service over the communication network, wherein the event trigger signal is in a predefined format; the authorized access module for providing authorized access to the event trigger controls; and the one or more emergency access control devices associated with the housing for providing emergency access to the event trigger controls.

#### BRIEF DESCRIPTION OF THE DRAWINGS

Non-limiting embodiments of the present disclosure are described by way of example with reference to the accompanying figures which are schematic and are not intended to

5

be drawn to scale. Unless indicated as representing the background art, the figures represent aspects of the disclosure.

FIG. 1 is a functional block diagram illustrating a system architecture for an EMNS activation service, according to an embodiment.

FIG. 2 is a flow diagram illustrating an exemplary method for setting up an EMNS activation service, according to an embodiment.

FIG. 3 is a flow diagram illustrating an exemplary method for handling communications during the triggering of an event, according to an embodiment.

FIG. 4 is a flow diagram illustrating an exemplary method for confirming and reinitiating the triggering of an event, according to an embodiment.

FIG. 5 is a flow diagram illustrating an exemplary method for relaying event data based upon an event trigger signal, according to an embodiment.

FIG. 6 is a front perspective view of a activation premises device with hinged access door, according to an embodiment.

FIG. 7 is a perspective view of an enclosure access side panel side of an activation premises device, according to the embodiment of FIG. 6.

FIG. 8 is a rear perspective view of an activation premises device, according to the embodiment of FIG. 6.

FIG. 9 is a perspective view of a front button insert panel for an activation premises device, according to the embodiment of FIG. 6.

FIG. 10 is a perspective view of a mainboard of an activation premises device, according to an embodiment.

FIG. 11 is a schematic diagram of functional and control components of an activation premises device, according to an embodiment.

#### DETAILED DESCRIPTION

The present disclosure is here described in detail with reference to embodiments illustrated in the drawings, which form a part hereof. Other embodiments may be used and/or other changes may be made without departing from the spirit or scope of the present disclosure. The illustrative embodiments described in the detailed description are not meant to be limiting of the subject matter presented here.

Reference will now be made to the exemplary embodiments illustrated in the drawings, and specific language will be used here to describe the same. It will nevertheless be understood that no limitation of the scope of the invention is thereby intended. Alterations and further modifications of the inventive features illustrated here, and additional applications of the principles of the inventions as illustrated here, which would occur to one skilled in the relevant art and having possession of this disclosure, are to be considered within the scope of the invention.

Having reference to the system architecture diagram of FIG. 1, the embodiments described herein provide a system and method for processing a triggering event 115 (sometimes referred to herein as an “emergency event”, or simply an “event”). The system and method features an EMNS activation service 110 that interacts over a communication network 103 including a plurality of mechanisms for triggering an event 160, also herein called activation premises devices 160. Additionally, EMNS activation service 110 interacts over a communication network 105 with a plurality of emergency mass notification services (EMNS providers) 180, and a plurality of event personnel devices 190. As used in the present disclosure, the term “EMNS” is an acronym

6

for “emergency mass notification systems”, which are entities, companies or groups that specialize in mass distribution of communications during emergencies. The terms “EMNS provider” and “EMNS provider services” are used to signify services for emergency mass notification (including computer hardware and software, and various input and output devices, utilized in such services). The term “event personnel devices” (and sometimes just “event personnel”) is used in this disclosure to denote a plurality of devices associated with persons to be notified of a triggered emergency event, generally via EMNS notifications communicated by one or more of the EMNS providers 180. The EMNS activation service 110 provides an improved system of communication between the plurality of mechanisms for triggering an event 160, the plurality of EMNS provider services 180, and the plurality of event personnel devices 190. Exemplary event personnel devices shown in FIG. 1 include smartphones, display devices, telephones, and pagers. EMNS activation service 110 employs a universal translator 130 to translate event data associated with an emergency event 115 into event-specific EMNS protocols 148 for use by one or more EMNS provider 180 in emergency mass notification systems communications.

FIG. 2 shows various steps of a method 200 for setting up an EMNS activation service 110 in preparation for handling emergency events 115. In an embodiment, these preparatory steps involve setting up the EMNS activation service itself, and setting up other entities that may communicate with the EMNS activation service 110 should an emergency event 115 arise, such as customers of the EMNS activation service.

At step 202, the EMNS activation service, or a third party operating under the direction of the EMNS activation service, installs a mechanism for triggering event 160 at activation premises associated with the EMNS activation service 110. The term “activation premises” herein denotes the premises at which or by which a triggering event is activated. In some embodiment, the activation premises is a customer of the EMNS activation service 110. In an embodiment, the mechanisms for triggering event are set up to provide event trigger signals in a predefined format recognized by the universal translator. Step 204 involves setting up a universal translator 130 of the EMNS activation service, connecting the EMNS activation service with universal translator to a network including a plurality of mechanisms for triggering events, a plurality of EMNS providers, and a plurality of event personnel devices. Subsequent steps of method 200 are also part of setting up the EMNS activation service, but are shown separately as instances of acquiring and storing various data in setting up the universal translator. At step 206, the EMNS activation service acquires and stores EMNS protocol information for initiating notification of triggered events by an EMNS provider. At step 208, the EMNS activation service identifies and stores event personnel (i.e., event personnel devices) to receive event data upon occurrence of a triggered event. At step 210, the EMNS activation service identifies and stores a chain of command list that is event-specific. At step 212, the EMNS activation service identifies and stores required emergency reports that are needed upon occurrence of a triggered event). Following these set up steps, the EMNS activation service is prepared to handle communications during the triggering of an event.

FIG. 3 provides steps of a method 250 for handling communications during the triggering of an event, wherein the method steps are effected via an activation premises device or other mechanism for triggering an alert. Upon the occurrence of an event, the activation premises device, which is normally inaccessible to users, is accessed 252 via



the access control device. Alternatively, if the access control device fails or is unavailable, the activation premises device may be accessed via emergency measures, such as breaking a glass panel or a mechanically actuated device such as a mechanism in an access hole. As used in the present patent disclosure, the access control device is sometimes referred to as an authorized access mechanism; whereas breaking of a glass panel access via a mechanically actuated device is sometimes referred to as an emergency access control device. Examples of these access mechanisms are disclosed below with reference to FIG. 7. At **254**, the activation premises device acquires and records local environmental information. In an embodiment, step **254** is effected via one or more sensors on the activation premises device. In a further embodiment, at step **254** the activation premises device records an image of a person activating the device via a digital camera. At step **256**, the activation premises device triggers an event. In an embodiment, step **256** is effected via a triggering event application on the CPU of the activation premises device. In an embodiment, following triggering an event at **256** the activation premises device displays a confirmation of activation. At step **258**, upon triggering the event the activation premises device sends an event trigger signal to the EMNS activation service. In an embodiment of step **258**, upon receipt of the event trigger signal, the EMNS activation service relays event data based upon the event trigger signal to one or more EMNS.

FIG. 4 provides steps of a method **300** to confirm and reinitiate the triggering of an event, wherein the method steps are effected by the EMNS activation service when an activation premises device sends an event trigger signal to the EMNS activation service. At step **302**, the EMNS activation service acknowledges the event trigger signal by transmitting to the activation premises device a signal (herein sometimes called an acknowledgement signal) causing an audio to be played by the activation premises device. In an alternative embodiment of step **302**, the EMNS activation service acknowledges the event trigger signal by transmitting to the activation premises device an acknowledgement signal causing the display of an acknowledgement message on the touch screen of the activation premises device. In a further embodiment of step **302**, the EMNS activation service acknowledges the event trigger signal by transmitting to the activation premises device an acknowledgement signal causing the display of a video on a display screen of the activation premises device. At step **304**, the EMNS activation service transmits to the activation premises device a signal (herein sometimes called a reinitiation command) causing play of an audio prompt to reinitiate the event trigger. In an embodiment, the reinitiation prompt is generated by Activation Premises Device based upon a previously configured message. The reinitiation command serves as a safety procedure, requiring the activation premises to confirm its intent to activate an EMNS notification process by reinitiating the event trigger. In an alternative embodiment of step **304**, the EMNS activation service transmits to the activation premises device a reinitiation command causing the display of a prompt to reinitiate the event trigger on the touch screen of the activation premises device. In an alternative embodiment of step **304**, the EMNS activation service transmits to the activation premises device a reinitiation command causing the display of a video by the activation premises device with a prompt to reinitiate the event trigger. At step **306**, the activation premises device reinitiates the event trigger via the triggering mechanism of the activation premises device.

FIG. 5 provides steps of a method **350** for handling communications as the EMNS activation service relays event data based upon the event trigger signal, wherein the method steps are effected by the EMNS activation service upon receipt of an event trigger signal by the EMNS activation service. At step **352**, the EMNS activation service initiates network communications concerning the event trigger with a plurality of event personnel devices, with a plurality of activation premises devices, and with a plurality of EMNS provider.

In one embodiment of step **352**, the EMNS activation service initiates network communications concerning the event trigger with a plurality of EMNS providers in parallel. In another embodiment of step **352**, the EMNS activation service initiates network communications concerning the event trigger with a plurality of EMNS providers sequentially. In an embodiment, the EMNS activation service stores event-specific EMNS protocol information for each EMNS provider; and at step **352** the EMNS activation service translates the event trigger to an event notification based upon the EMNS protocol information stored for that EMNS provider, and transmits the event-specific event notifications based on this translation to a plurality of EMNS providers.

At step **354**, the EMNS activation service transmits a chain of command list to event personnel devices. In an embodiment of step **354**, the chain of command list is a prioritized list of event personnel stored by the universal translator. At step **356**, the EMNS activation service triggers a collaboration call between the activation premises device and the event personnel devices. In an embodiment of step **356**, the collaboration call is activated by the EMNS activation service during a triggered event and connects selected event personnel with one or more user of the activation premises device that triggered the event. Additionally, the collaboration call may include other pertinent individuals. At step **358**, the EMNS activation service sends event related procedures to the selected event personnel.

It should be noted with reference to FIG. 1 that generally, communications of event data based upon the event trigger signal between the EMNS activation service **110** and the plurality of event personnel devices **190** are effected via EMNS providers **180**. That is, EMNS activation service communicates event data based upon event trigger signals over communication network **105** to EMNS providers **180**; and the EMNS providers in turn communicate with EMNS personnel devices over communication network **105** and via other channels of mass notification using EMNS services of the EMNS providers. However, in the case of collaboration calls between EMNS activation service **110** and event personnel devices **190**, communications are direct and not through EMNS providers **180**.

In the present EMNS activation service **110**, a mechanism **160** for triggering an emergency event may activate a notification to an EMNS service **180** during the event. In one embodiment, the mechanism for triggering an emergency event is a dedicated activation premises device **400**, as described below. In other embodiments, the mechanism **160** for triggering an emergency event is a smart phone application, a telephone style device, a touch screen interface (e.g., for a tablet computer), or other implementation via suitable hardware and/or software. As used in the present patent application, the term "activation premises device" includes both dedicated activation premises devices, and general computing devices that provide the functionality of dedicated activation premises devices, such as smart phone applications. The latter embodiments are not shown in the drawings, but include user interface features of the dedicated

activation premises device **400**, such as event trigger controls that emulate the front button insert panel **440** of FIG. **9**. As an alternative to the term “activation premises device”, which connotes a devices **160** at the premises of a customer of the EMNS activation service, an alternative term used in the present disclosure is “activation premises device”, which connotes a device for triggering an event to be reported to the EMNS activation service.

It is also contemplated that the mechanism for triggering an emergency event may have other functions relating to emergency events such as to mediate lighting control, initiate group teleconferences among emergency managers, and allow for SCADA (Supervisory Control and Data Acquisition) system interface and remote control. As another example, the EMNS activation service may be used for automated compliance reporting, such as compliance reporting under The Jeanne Clery Disclosure of Campus Security Policy and Campus Crime Statistics, codified at 20 U.S.C. § 1092(f), commonly known as the Clery Act. Further, the mechanism for triggering an emergency event may activate miscellaneous other emergency event measures appropriate to given facilities, such as petrochemical process control.

Referring to the embodiment of FIGS. **6-10**, the exterior of activation premises device **400** includes two parts, an enclosure **402** and an enclosure door **404**. Components of the enclosure **402** include an enclosure door **404**, an enclosure back surface **430**, an enclosure end panel including microphone perforations **414** and speaker perforations **416**, and an enclosure opening side panel **420** including an access control device **425**. In one embodiment, structural components of activation premises device **404** are chiefly made up of aluminum. In other embodiments, structural components of activation premises device **404** may be made of wood, engineering plastic, steel, or combinations of these materials. Interior components of the activation premises device **400** include an insert front panel **440** (FIG. **9**) that is accessible by opening enclosure door **404**. In addition, as discussed below with reference to FIG. **10**, the activation premises device **400** contains a mainboard **460** (FIG. **10**) that includes various power elements, control elements, and other functional elements.

At the front surface **410** of the enclosure **402** (FIG. **6**), the enclosure door **404** provides access to interior components of activation premises device **400** and in particular to front panel **440**. Components of enclosure door may include a door glass insert **408**, a door latch (not shown), lift off hinges **412**, **418**, and door labels (not shown). Enclosure door **404** serves to protect the triggering mechanism of front panel **440** from accidental activation by unauthorized users under normal circumstances. In an embodiment, the door glass insert **418** may allow any user to break the glass and access the activation buttons in an emergency. In some embodiments, the door glass insert **408** may instead be a breakable safety glass panel **406**. Door glass insert **418** may be transparent to allow viewing of the front panel **440** but yet shield from accidental activation.

As seen in FIG. **9**, front panel **440** includes various input and display components that provide a mechanism for triggering alerts. The triggering mechanism (also herein called event trigger controls) is configured to accept user input and trigger notification of event personnel. In an embodiment, the triggering mechanism includes various input buttons, two of which are shown at **450**, **452**. Labels **448** associate each of the buttons with given emergency conditions or other events. In an embodiment, buttons **450**, **452** are moveable buttons that project above the surface of

front panel **440**. However, in lieu of buttons the triggering mechanism may include any suitable input mechanism capable of making an electrical contact closure in an electrical circuit, or breaking an electrical circuit, or changing the resistance or capacitance of an electrical circuit, or causing other state change of an electrical circuit or an electronic routine. In various embodiments, the buttons would be replaced by an alternative input mechanism (not illustrated), such as a touch screen, touch screen buttons, holographic button, voice activated device, a sensor (e.g., a biometric sensor, accelerometer, or wind speed sensor), an audio trigger, a relay input trigger, or an electronic communications trigger, among other possibilities, including combinations of such input mechanisms. In an embodiment, the triggering mechanism may be configured for greater reliability, such as by training a voice activated device to recognize a particular voice. In an embodiment, the activation premises device includes component(s) such as supervisory resistors (not shown) that function to monitor the integrity of connectivity to buttons **448**, **450**. In an embodiment, the triggering mechanism may be activated by a security mechanism of activation premises device **400** that authenticates authorized users.

Other components of front panel **440** include a display **442** and a digital camera **444**. In various embodiments, the activation premises device **400** includes a display device that is configured to display information and to accept user interaction. Exemplary displays include LCD displays, LED displays, and OLED displays. In an exemplary embodiment, the display device includes a touch screen. As shown in FIG. **9**, a touch screen **442** is a small area display, but in many embodiments the touch screen could be significantly larger. A touch screen display may provide various functions. The touch screen display may show the status of given emergency conditions or other events. The touch screen display may show messages to and from the activation premises device **400**. Message types may include for example messages regarding particular emergency conditions or other events, maintenance messages, and marketing messages. Additionally, the touch screen display may be configured to support polling and data collection services. The touch screen display may be configured for interaction with a technician (e.g., providing maintenance messages), for interaction with an authorized user, and for interaction with a passerby.

The digital camera **444** on front panel **440** may provide various functions. In an embodiment, digital camera **444** is configured to capture an image of the person activating the activation premises device **400** and to capture an image of the local environment when triggered. In an embodiment, digital camera **444** functions to support video conferencing capabilities of the activation premises device **400**, for example during a conference call among emergency managers. Further, digital camera **440** may support security functions such as biometric sensing (e.g., facial recognition) to authenticate authorized users of activation premises device **400**. Other types of sensors also may effect these various functions.

The enclosure opening side **420** of enclosure **402** includes an access control device **425**. In an embodiment, access control device **425** operates under electrical control identify authorized users as a prerequisite for providing access to the enclosure **402**. If user access is authorized, access control device **425** releases door latch **514** (FIG. **11**; triggered by access control **520** via relay **512**) to open the enclosure door **404**. In another embodiment, access control device unlocks the door lock **486** of FIG. **10** to open the enclosure door **404**.

In an embodiment, the access control device **425** is a module that is accessible within an access control device aperture **424** on the enclosure opening side **420**, and that electrically communicates with main board **460**. (Access control device **425** is partially visible through the access control device aperture **424** in FIG. 7). A user actuates access control device **425** user by engaging an input element (not shown) of the device within the access control device aperture **424**. The input element may be engaged manually (e.g., contacting a button control) or by other means such as a card reader. The enclosure **402** also may include an emergency access hole **427**, which allows mechanical entry into the enclosure **402** if the access control device **425** fails. In an embodiment, a user inserts a pin or other tool (not shown) into the emergency access hole **427** to engage a mechanism that provides access into the enclosure **402**. Access via access control device **425** serves as an authorized access module, wherein access via breaking the door glass insert **418** (FIG. 6) or access via mechanical entry into the enclosure **402** serves as an emergency access control device.

In an embodiment, access to enclosure **402** is controlled via one or more authorization sensors that cooperate with the access control device **425**. In an embodiment, one or more authorization sensors **474** are housed on main board **460** (FIG. 10). In various embodiments, authorization sensors **474** may be biometric sensors, proximity sensors, or near field communication devices. In an embodiment, access control device **425** operably communicates with EMNS activation service **110**, which may command release of the enclosure door **404** remotely. Additionally, access control device **425** may have other functions, including registering authorized users for access to activation premises device **400**, and maintaining a log of users who seek access to enclosure **402**.

The enclosure back surface **430** (FIG. 8) of enclosure **402** includes mounting holes **422** and a wire aperture **426**. The mounting holes **422** may be used in mounting the enclosure **402** to a wall or other appropriate surface with fasteners (not shown). The wire aperture **426** provides an entry point for passage into enclosure **402** of wiring (not shown), such as wiring that conducts communication signals, control signals, power or other electrical current.

In the exemplary embodiment of in FIG. 10, various power elements, control elements, and other functional elements within the enclosure **402** may be housed on a main board **460**. The illustrated embodiment includes one board or backplane **460**. In alternative embodiments, multiple boards may be used. FIG. 11 illustrates in a circuit schematic diagram an alternate functional assembly **500** of power elements, control elements, and other functional elements, including a mother board with microcontroller **510**, and a daughter board **516** with GPIO (General Purpose Input/Output) connection.

Main board **460** houses a CPU **468**. As shown in the embodiment of FIG. 11, the CPU **510** may include a real time clock **506**. In alternative embodiments, the real time clock may be omitted from CPU **468**, and the board **460** may rely on data calls back to the event server **120**.

The main board **460** houses power components, including power supply **464**. The illustrated power supply **464** is a power over Ethernet device. In some embodiments, power supply **464** may include a direct power connection to an additional power source (not shown) such as a solar power device, a battery, a hydrogen fuel cell, or an alcohol fuel cell. The power system also includes a backup power supply **470**, and may include power sensing circuitry. In the functional assembly **500** of FIG. 11, power elements include Power

over Ethernet (POE) **534** providing a 12V power source, and backup battery **526** providing a 5V power source.

The main board **460** houses memory components, also herein called “memory” and “computer-readable storage medium”. As used herein the term “memory” may include physical devices used to store programs (sequences of instructions) or data (e.g., program state information) on a temporary or permanent basis for use in a computer or other digital electronic device. In the illustrated embodiment, memory components include onboard memory **466** and removable memory **462**. In an embodiment, the memory provides permanent storage of a trigger event application and an interface application. Additionally, the memory contains an operating system for activation premises device **400**. In an embodiment, the operating system includes a collection of software programs that manage computer hardware resources and provide common services for computer programs of activation premises device **400**.

Functional elements of the activation premises device **400** also may include communications circuitry, as shown in FIG. 11. In an embodiment, a data communication system functions both to maintain a communication link between activation premises device **400** and other devices of EMNS activation service **110**, and to send and receive data to and from the event server **120**. In the embodiment of FIG. 11, the data communication system includes an Ethernet Hub **528**. Additionally or alternatively, the data communication system may include other communications technologies such as physical, fiber, optical or wireless interfaces. In some embodiments the data communication system may include backup communications circuitry (not shown) that is operable in the event that primary communications fail, which similarly could include Ethernet, physical, fiber, optical or wireless interfaces. The backup system serves to maintain a communication link between activation premises device **400** and other devices in the event the primary data communication system is disabled, and to communicate data to and from the event server **120** in the event the primary data communication system is disabled.

Other components housed on main board **460** include elements of an audio communication system **485**, which provides one mode of communication of messages from the EMNS activation service **110**. Enclosure **402** includes perforated portions for passing audio inputs and outputs to the audio communication system **485**, including microphone perforations **414** and speaker perforations **416**. In the illustrated embodiment, audio communication system **485** includes speaker **476**, audio output amplifier circuit board **480**, noise cancellation circuitry **478**, microphone **484**, and microphone preamplifier board **482**. Noise cancellation circuitry **478** cooperates with microphone preamplifier board **482** to modify the signal received by the microphone **484** to adjust for more intelligible audio quality and appropriate decibel levels. In some embodiments, the audio output amplifier circuit board **480** may be omitted and an amplifier may be included on a CPU board. In other embodiments, there is no audio communication system, and the EMNS activation service **110** may ring a local phone to communicate information to a customer or event personnel devices **190**. In the alternate functional assembly **500** of FIG. 11, elements of an audio communication system include audio amp **522** that receives audio outputs from microcontroller **510**, speaker **534**, and microphone with associated microphone pre-amp board **502**.

Additionally, functional elements of the activation premises device **400** may include a button control interface, as shown at **530** in FIG. 11. Button control interface **530**

provides event trigger controls including buttons **450**, **452** on front panel **460**. Button control interface may include a digital input-output interface circuit board, or alternatively may include an analog-to-digital circuit board that processes analog signals from buttons **450**, **452**.

Functional elements of the activation premises device **400** also may include a display with associated display interface board, as shown at **518** in FIG. **11**. The display interface board may control display of information on a display screen, and in certain embodiments, may control inputs received from a user-interactive display screen such as a touch screen (e.g., touch screen **442**). Additionally, the assembly **500** of FIG. **11** includes at **504** a control interface for digital camera **444**.

Main board **460** may be mounted within the enclosure **402** using mounting holes **462** and fasteners (not shown). For example, main board may be mounted at the interior of the rear surface **430** of enclosure **402**. Main board **460** may incorporate appropriate electrical conductors, such as wire apertures **472** that may provide access points for wiring, e.g., wiring passing through wire apertures **472** and through wire aperture **426** at the rear surface **430** of enclosure **402**. Main board **460** also houses a door lock **486**.

Referring again to FIG. **1**, EMNS activation service **110** includes an event server **120** and a web application server **150**. These servers may take the form of one or more cloud-based servers and each cloud-based server may include a data storage system **145** that may store various data as described below. Cloud-based servers may be implemented through known in the art database management systems (DBMS) such as, for example, MySQL, PostgreSQL, SQLite, Microsoft SQL Server, Microsoft Access, Oracle, SAP, dBASE, FoxPro, IBM DB2, LibreOffice Base, FileMaker Pro and/or any other type of database that may organize collections of data.

In the exemplary embodiment, the event server **120** and web application server **150** are housed within a high reliability, high availability data center. An exemplary data center or computer room (sometimes called a server farm) is a facility or room used to house computer systems and associated components for companies and organizations. The facility may include environmental controls (air conditioning, fire suppression, etc.), redundant/backup power supplies, and redundant data communications connections.

The event server **120** acts as the communication relay between activation premises devices **160** of communications sent or received via communication network **103**; and EMNS providers **180** (such as EMNS providers EMNS-1, EMNS-2, and EMNS-3) and event personnel devices **190**, of communications sent or received via communication network **105**.

In an embodiment, the event server **120** is comprised of two sub-components, a universal translator **130** (also herein called universal translator module) and a communication protocol module **140**. As used in the present disclosure, the term "universal translator" refers to a program that receives event triggers **115** (also herein called triggered events, or event trigger signals) from the activation premises device **160** and converts the event trigger signals **115** to one or more EMNS communication protocol **185**. In an embodiment, customer triggering device **160** is configured to provide event trigger signals in a predefined format recognized by universal translator **130**. Universal Translator **130** notifies one or more EMNS provider **180** and also may relay data to one or more activation premises device **160** and/or to event personnel devices **190**. The communication protocol module **140** includes operational instructions to communicate over a

communication network **105** using a specific required protocol. In some embodiments, the communication protocol module **140** may use any of the following communication protocols, among others: TCP-IP (Transmission Control Protocol/Internet Protocol); UDP (User Datagram Protocol); VoIP (Voice over IP); SIP (Session Initiation Protocol); Telnet; SSH (Secure Shell protocol), CAP (Common Alerting Protocol), HTTP (Hypertext Transfer Protocol), SMTP (Simple Mail Transfer Protocol), or SNMP (Simple Network Management Protocol).

Universal translator **130** performs various functions. The universal translator **130** is configured to provide information concerning triggered events for communications by EMNS activation service **110** with the activation premises device **160**. Additionally, the universal translator **130** is configured to provide information concerning triggered events for communications by EMNS activation service **110** with EMNS providers **180** via event-specific EMNS protocols **185**. Additionally, the universal translator **130** is configured to provide information concerning triggered events from EMNS activation service **110** intended for the event personnel devices **190**, via notification communications by EMNS providers **180**. The universal translator **130** is configured to provide event data, among other information; the present disclosure uses event data to describe information relating to an event that is based upon event trigger signal(s) received by EMNS activation service **110** from an activation premises device **160**.

In an embodiment, an EMNS protocol provided by the universal translator **130** for communication with a specific EMNS provider **180** is particular to the requirements of that EMNS provider **180**. As used in the present disclosure, an EMNS protocol **185** is a communication protocol that is required by EMNS provider **180** in order to trigger a mass notification; and an event-specific EMNS protocol is an EMNS protocol specific to one or more of a plurality of categories of emergency events and/or descriptions of emergency events, wherein the category of emergency event and/or description of emergency events is identified an event trigger signal.

Universal translator **130** stores data and applications used in effecting its various functions. In an embodiment, the universal translator **130** is configured to store a list **132** of event personnel. In an embodiment, the universal translator **130** is configured to store a chain of command list **134** that is event-specific. In an embodiment, the universal translator **130** is configured to store one or more applications **136** for translation of event trigger signals to event-specific EMNS protocols **148**. In an embodiment, the universal translator **130** is configured to store one or more required emergency reports **138**. In an embodiment, the universal translator **130** is configured to store one or more event related procedures **139**. In an embodiment, the universal translator **130** is configured to store one or more lists **142** of event personnel devices **190** that have been designated to receive event-specific required emergency reports **144**.

As used in the present disclosure, event-specific event related procedures are event related procedures specific to one or more of a plurality of categories of emergency events and/or descriptions of emergency events, wherein the category of emergency event and/or description of emergency events is identified an event trigger signal. As used in the present disclosure, event-specific emergency reports are emergency reports specific to one or more of a plurality of categories of emergency events and/or descriptions of emer-

gency events, wherein the category of emergency event and/or description of emergency events is identified an event trigger signal.

In various embodiments, EMNS activation service **110** includes a data storage system **145**. In an embodiment, data storage system **145** is configured to store a list of event personnel **132**; to store a chain of command list **134** that is event-specific; to store one or more EMNS event-specific protocol translation applications **136**; to store one or more required emergency reports **138**; to store one or more event related procedures **139**; and to store one or more lists **143** of event personnel devices **190** that are to receive event-specific required emergency reports **144**.

In various embodiments, universal translator **130** is configured with executable instructions for effecting various functions of the EMNS activation service **110**. These executable instructions may include instructions for network communication with one or more event personnel devices **190**; one or more activation premises device **160**; and one or more EMNS provider **180**. Additionally, these executable instructions may include instructions for network monitoring of one or more activation premises device connectivity and integrity; instructions for one or more EMNS protocol translation applications **136**, and instructions for network software update of the activation premises device **160**.

In another embodiment, as an alternative to housing the universal translator **130** on the event server **120**, universal translator **130** is implemented as a cloud-based service.

Operating in conjunction with other systems of EMNS activation service **110**, web application server **150** allows customers to interact and manage the EMNS activation service **110**. In an embodiment, web application server **150** provides a web-accessible graphical user interface (GUI) service for management of settings for the EMNS activation service **110**. This GUI allows users to interact with electronic devices through graphical icons and visual indicators such as secondary notation.

Web application server **150** provides a suite of graphical user interface services (Management Services **155**) that may include some or all of the following services: (1) a GUI for configuring authorized users that enables users to manage authorized users of the activation premises device **160** and/or EMNS activation service **110**; (2) an event protocol management GUI that enables users to manage EMNS protocol configurations and settings; (3) a chain of command management GUI that enables users to manage the chain of command for notification of event personnel devices **190**; (4) an event-specific report management GUI that enables users to manage event-specific reports that are necessary for completion in the case of an event; (5) a testing procedures management GUI that enables users to manage event related procedures that are to be followed in the case of an event; (6) a training graphical user interface GUI that enables users to evaluate training materials related to the use of the EMNS activation service **110**; (7) an account management GUI that enables users to manage location and communication details of the users of the activation premises device **160** and/or EMNS activation service **110**; (8) a billing management GUI that enables users to manage payments for the EMNS activation service **110**; (9) an event map GUI that shows real time maps of areas in which events occur; and (10) a help GUI that for system users.

In addition to Management Services **155**, web application server **150** may initiate and manage conference calls among emergency managers via Conferencing Services **157**. In one embodiment, the Conferencing Services module **157** may be configured as a PBX system to initiate a telephone confer-

ence among emergency managers. Conferencing Services **157** may use various communication protocols, such as VOIP (Voice over IP). In one embodiment, Conferencing Services module **157** initiates a conference call among emergency managers using a reverse PBX protocol in which all telephones of participating emergency managers receive the call at the same time. In another embodiment, one of the emergency managers initiates a conference call, e.g., via an event personnel device **190**, and Conferencing Services module **157** relays the collaboration call to other participating emergency managers.

The foregoing method descriptions and the process flow diagrams are provided merely as illustrative examples and are not intended to require or imply that the steps of the various embodiments must be performed in the order presented. As will be appreciated by one of skill in the art the steps in the foregoing embodiments may be performed in any order. Words such as “then”, “next”, etc. are not intended to limit the order of the steps; these words are simply used to guide the reader through the description of the methods. Although process flow diagrams may describe the operations as a sequential process, many of the operations can be performed in parallel or concurrently. In addition, the order of the operations may be re-arranged. A process may correspond to a method, a function, a procedure, a subroutine, a subprogram, etc. When a process corresponds to a function, its termination may correspond to a return of the function to the calling function or the main function.

The various illustrative logical blocks, modules, circuits, and algorithm steps described in connection with the embodiments disclosed herein may be implemented as electronic hardware, computer software, or combinations of both. To clearly illustrate this interchangeability of hardware and software, various illustrative components, blocks, modules, circuits, and steps have been described above generally in terms of their functionality. Whether such functionality is implemented as hardware or software depends upon the particular application and design constraints imposed on the overall system. Skilled artisans may implement the described functionality in varying ways for each particular application, but such implementation decisions should not be interpreted as causing a departure from the scope of the present invention.

Embodiments implemented in computer software may be implemented in software, firmware, middleware, microcode, hardware description languages, or any combination thereof. A code segment or machine-executable instructions may represent a procedure, a function, a subprogram, a program, a routine, a subroutine, a module, a software package, a class, or any combination of instructions, data structures, or program statements. A code segment may be coupled to another code segment or a hardware circuit by passing and/or receiving information, data, arguments, parameters, or memory contents. Information, arguments, parameters, data, etc. may be passed, forwarded, or transmitted via any suitable means including memory sharing, message passing, token passing, network transmission, etc.

The actual software code or specialized control hardware used to implement these systems and methods is not limiting of the invention. Thus, the operation and behavior of the systems and methods were described without reference to the specific software code being understood that software and control hardware can be designed to implement the systems and methods based on the description herein.

When implemented in software, the functions may be stored as one or more instructions or code on a non-

transitory computer-readable or processor-readable storage medium. The steps of a method or algorithm disclosed herein may be embodied in a processor-executable software module, which may reside on a computer-readable or processor-readable storage medium. A non-transitory computer-readable or processor-readable media includes both computer storage media and tangible storage media that facilitate transfer of a computer program from one place to another. A non-transitory processor-readable storage media may be any available media that may be accessed by a computer. By way of example, and not limitation, such non-transitory processor-readable media may comprise RAM, ROM, EEPROM, CD-ROM or other optical disk storage, magnetic disk storage or other magnetic storage devices, or any other tangible storage medium that may be used to store desired program code in the form of instructions or data structures and that may be accessed by a computer or processor. Disk and disc, as used herein, include compact disk (CD), laser disc, optical disk, digital versatile disk (DVD), floppy disk, and Blu-ray disk where disks usually reproduce data magnetically, while discs reproduce data optically with lasers. Combinations of the above should also be included within the scope of computer-readable media. Additionally, the operations of a method or algorithm may reside as one or any combination or set of codes and/or instructions on a non-transitory processor-readable medium and/or computer-readable medium, which may be incorporated into a computer program product.

What is claimed is:

1. A processor based method of providing a notification, comprising: receiving, by a processor communicatively coupled to a database, an event trigger signal transmitted by an activation premises device, the event trigger signal relating to an emergency event at an activation premises, wherein the database stores emergency mass notification system (EMNS) protocol information for a plurality of EMNS provider services, and a list of a plurality of event personnel devices to be notified of an emergency event, wherein the EMNS protocol information stored in the database indicates, for each of the plurality EMNS provider services, event-specific EMNS protocols that correspond with different categories of emergency events, and wherein the activation premises device comprises a plurality of event trigger controls configured to create the event trigger signal relating to the emergency event, and the event trigger controls are configured to accept a user input that initiates the event trigger signal, wherein the user input initiates the event trigger signal in a predefined format but does not modify the EMNS protocol information; determining, by the processor, an event-specific EMNS protocol for each one of the plurality of EMNS provider services based on the stored EMNS protocol information in the database and a category of the emergency event identified in the event trigger signal; transmitting, by the processor, the event data in the event-specific EMNS protocol to each one of the plurality of EMNS provider services; communicating, by the processor, data based upon the event trigger signal to at least two of the plurality of event personnel devices; and initiating, by the processor, a collaboration conference call among the activation premises device and the at least two of the plurality of event personnel devices without participation of any of the plurality of EMNS provider services.

2. The method as defined in claim 1, wherein the user input does not modify the list of the plurality of event personnel devices stored by the database.

3. The method as defined in claim 1, wherein the step of initiating a collaboration conference call effects the com-

munications with the activation premises device and the communications with the at least two of the plurality of event personnel devices via a reverse PBX protocol.

4. The method as defined in claim 1, wherein the step of communicating data based upon the event trigger signal to at least two of the plurality of event personnel devices comprises communicating the data based upon the event trigger signal via at least one of the plurality of EMNS provider services.

5. The method as defined in claim 1, wherein the database further stores a chain of command list for prioritization of the event personnel devices, wherein the event personnel devices are associated with a plurality of event personnel to be notified of the emergency event, and wherein the communicating step comprises communicating the data based upon the event trigger signal to the at least two of the plurality of event personnel devices based upon the chain of command list.

6. The method as defined in claim 1, wherein the database further stores event related procedures data with information on procedures to be followed upon occurrence of an emergency event, and wherein the communicating step further includes communicating the event related procedures data to the at least two of the plurality of event personnel devices.

7. The method of claim 1, further comprising translating the event trigger signal for each one of the plurality of EMNS provider services to event data in the event-specific EMNS protocol based upon the EMNS protocol information stored for that one of the plurality of EMNS provider services.

8. The method as defined in claim 1, wherein the activation premises device comprises a housing and the plurality of event trigger controls are located within the housing, wherein the event trigger controls are inaccessible to users in the absence of actuation of an authorized access module or one or more emergency access control devices.

9. The method as defined in claim 1, wherein the activation premises device has a stationary location at the activation premises and is configured to record local environmental information at the stationary location and to include the local environmental information in the event trigger signal.

10. A processor based method of providing a notification, comprising: receiving, by a processor communicatively coupled to a database, an event trigger signal transmitted by an activation premises device, the event trigger signal relating to an emergency event at an activation premises, wherein the database stores emergency mass notification system (EMNS) protocol information for a plurality of EMNS provider services, and a list of a plurality of event personnel devices to be notified of an emergency event, wherein the EMNS protocol information stored in the database indicates, for each of the plurality EMNS provider services, event-specific EMNS protocols that correspond with different categories of emergency events, and wherein the activation premises device comprises a plurality of event trigger controls configured to create the event trigger signal relating to the emergency event, and the event trigger controls are configured to accept a user input that initiates the event trigger signal in a predefined format but that does not modify the EMNS protocol information or the list of the plurality of event personnel devices stored by the database; determining, by the processor, an event-specific EMNS protocol for each one of the plurality of EMNS provider services based on the stored EMNS protocol information in the data base and a category of the emergency event identified in the event trigger signal; transmitting, by the processor, the event data in the event-specific EMNS protocol to each one of the

plurality of EMNS provider services; communicating, by the processor, data based upon the event trigger signal to at least two of the plurality of event personnel devices; and initiating, by the processor, a collaboration conference call among the activation premises device and the at least two of the plurality of event personnel devices without participation of any of the plurality of EMNS provider services.

11. The method as defined in claim 10, wherein the step of initiating a collaboration conference call effects the communications with the activation premises device and the communications with the at least two of the plurality of event personnel devices via a reverse PBX protocol.

12. The method of claim 10, further comprising translating the event trigger signal for each one of the plurality of EMNS provider services to event data in the event-specific EMNS protocol based upon the EMNS protocol information stored for that one of the plurality of EMNS provider services.

13. A system comprising: an emergency mass notification system (EMNS) activation server configured with a computer-readable storage medium, communicatively coupled to a communication network, and including communication protocol processing circuitry communicatively coupled to a processor of the EMNS activation server, wherein the computer-readable storage medium is configured to store EMNS protocol information for a plurality of EMNS provider services and a list of a plurality of event personnel devices, wherein the EMNS protocol information stored in the computer-readable storage medium indicates, for each of the plurality EMNS provider services, event-specific EMNS protocols that correspond with different categories of emergency events; and an activation premises device, comprising a plurality of event trigger controls configured to create an event trigger signal relating to an emergency event at an activation premises, wherein the event trigger controls are configured to accept a user input that initiates the event trigger signal, wherein the event trigger controls are configured to accept the user input that initiates the event trigger signal in a predefined format but does not modify the EMNS protocol information, wherein the computer-readable storage medium is configured to determine an event-specific EMNS protocol for each one of the plurality of EMNS provider services based on the stored EMNS protocol information in the database and a category of the emergency event identified in the event trigger signal, and wherein the communication protocol processing circuitry is configured to receive the event trigger signal transmitted by the activation premises device, to communicate via the communication network to each one of the plurality of EMNS provider services event data in the event-specific EMNS protocol, and to initiate a collaboration conference call via communications with the activation premises device and via communications with at least two of the plurality of event personnel devices without participation of any of the plurality of EMNS provider services.

14. The system as defined in claim 13, wherein the event trigger controls are configured to accept the user input that does not modify the list of the plurality of event personnel devices stored by the database.

15. The system as defined in claim 13, wherein the communication protocol processing circuitry is configured to initiate communications between the activation premises device and the at least two of the plurality of event personnel devices via a reverse PBX protocol.

16. The system as defined in claim 13, wherein the communications protocol processing circuitry is configured to communicate data based upon the event trigger signal to at least two of the plurality of event personnel devices via at least one of the plurality of EMNS provider services.

17. The system as defined in claim 13, wherein the EMNS activation server further comprises universal translator processing circuitry configured to translate the event trigger signal for each one of the plurality of EMNS provider services to event data in the event-specific EMNS protocol based upon the stored EMNS protocol information for that one of the plurality of EMNS provider services.

18. The system as defined in claim 13, wherein the computer-readable storage medium further stores a chain of command list for prioritization of the plurality of event personnel devices, wherein the event personnel devices are associated with a plurality of event personnel to be notified of the emergency event, and wherein the communications protocol processing circuitry is further configured to communicate the data based upon the event trigger signal to at least two of the plurality of event personnel devices based upon the chain of command list.

19. The system as defined in claim 13, wherein the computer-readable storage medium further stores event related procedures data with information on procedures to be followed upon occurrence of an emergency event, and wherein the communications protocol processing circuitry is further configured to communicate the event related procedures data to at least two of the plurality of event personnel devices associated with the plurality of event personnel to be notified of the emergency event.

20. The system as defined in claim 13, wherein the activation premises device comprises a housing and the plurality of event trigger controls are located within the housing, wherein the event trigger controls are inaccessible to users in the absence of actuation of an authorized access module or one or more emergency access control devices.

21. The system as defined in claim 13, wherein the activation premises device has a stationary location at the activation premises and is configured to record local environmental information at the stationary location and to include the local environmental information in the event trigger signal.

\* \* \* \* \*