



US009402547B2

(12) **United States Patent**
LaFarge

(10) **Patent No.:** **US 9,402,547 B2**

(45) **Date of Patent:** **Aug. 2, 2016**

(54) **PROSTATE GLOVE WITH RECEIVER FIBERS**

5,423,332 A 6/1995 Zirps et al.
5,582,620 A 12/1996 Hirsch
5,867,831 A 2/1999 Husain

(71) Applicant: **MedicaMetrix, Inc.**, Wayland, MA (US)

(Continued)

(72) Inventor: **Christopher LaFarge**, Wayland, MA (US)

FOREIGN PATENT DOCUMENTS

(73) Assignee: **MedicaMetrix, Inc.**, Wayland, MA (US)

WO 00/13591 A1 3/2000
WO 2005/021049 A2 3/2005

(*) Notice: Subject to any disclaimer, the term of this patent is extended or adjusted under 35 U.S.C. 154(b) by 320 days.

(Continued)

OTHER PUBLICATIONS

(21) Appl. No.: **13/663,881**

Industrial Fiber Optics, SK-20 .5 mm Optical Fiber High Performance Plastic Optical Fiber, Jul. 10, 2010. https://web.archive.org/web/20100710185724/http://i-fiberoptics.com/fiber-detail.php?id=122.*

(22) Filed: **Oct. 30, 2012**

(Continued)

(65) **Prior Publication Data**

US 2014/0121563 A1 May 1, 2014

(51) **Int. Cl.**
A61B 5/00 (2006.01)
A61B 5/107 (2006.01)

Primary Examiner — Adam J Eiseman
Assistant Examiner — Yasmeen S Warsi

(74) *Attorney, Agent, or Firm* — Nutter McClennen & Fish LLP

(52) **U.S. Cl.**
CPC **A61B 5/0084** (2013.01); **A61B 5/0086** (2013.01); **A61B 5/1076** (2013.01); **A61B 5/4381** (2013.01); **A61B 5/6806** (2013.01)

(58) **Field of Classification Search**
CPC A61B 5/107
USPC 600/587, 588
See application file for complete search history.

(57) **ABSTRACT**

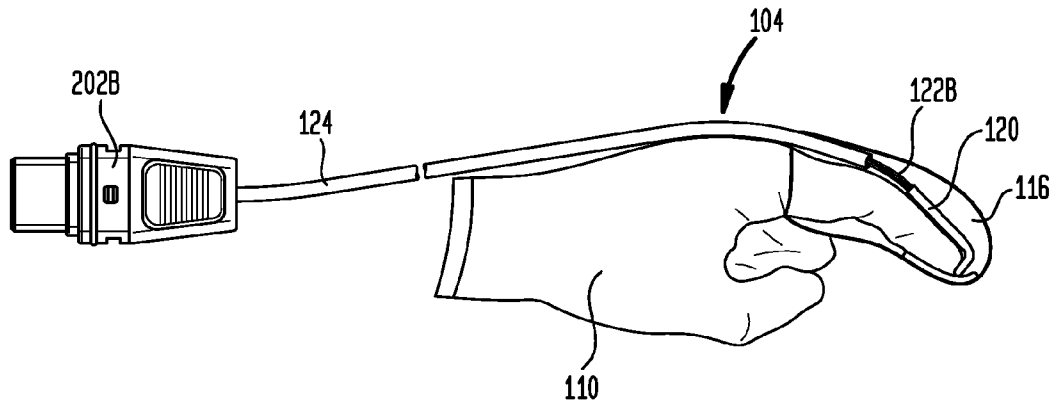
Systems and methods are provided herein that generally involve measuring a prostate or other object. In some embodiments, a membrane can be sealed over a digit extension to form a closed volume. The closed volume can be inflated via an inflation tube, and a reference pattern can be disposed within the closed volume along with a measurement assembly. In use, a user can put on the glove, position the membrane in proximity to a rectal wall overlying a prostate, and inflate the membrane. As the user slides their finger across the rectal wall, optical fibers in the measurement assembly can move relative to a reference pattern, and a controller can sense light reflected through the fibers from the reference pattern. The controller can calculate or estimate various attributes of the prostate based on the reflected light, such as the palpable surface width or volume.

(56) **References Cited**

U.S. PATENT DOCUMENTS

3,904,269 A 9/1975 Lebduska et al.
5,059,477 A 10/1991 Henriksen
5,097,252 A * 3/1992 Harvill A61B 5/1126
200/DIG. 2
5,196,247 A 3/1993 Wu et al.
5,265,181 A 11/1993 Chang
5,279,309 A 1/1994 Taylor et al.

18 Claims, 20 Drawing Sheets



(56)

References Cited

U.S. PATENT DOCUMENTS

5,922,018 A 7/1999 Sarvazyan
 5,965,276 A 10/1999 Shlenker et al.
 6,142,959 A 11/2000 Sarvazyan et al.
 6,360,116 B1 3/2002 Jackson, Jr. et al.
 6,709,142 B2 3/2004 Gyori
 6,743,165 B2 6/2004 Mosel et al.
 6,829,421 B2* 12/2004 Forbes C03B 37/01205
 385/124
 7,254,842 B2 8/2007 Becerra et al.
 7,309,319 B2 12/2007 Kellett et al.
 7,354,202 B1 4/2008 Luger
 7,359,742 B2 4/2008 Maser et al.
 7,582,056 B2 9/2009 Noguchi et al.
 7,662,113 B2 2/2010 Pearl et al.
 8,092,372 B2 1/2012 Machida
 8,104,097 B2 1/2012 Hamann
 8,694,079 B1 4/2014 LaFarge
 2003/0210259 A1 11/2003 Liu et al.
 2004/0213445 A1 10/2004 Lee et al.
 2006/0026737 A1 2/2006 Chen
 2006/0052663 A1 3/2006 Koitabashi
 2006/0069721 A1* 3/2006 Dowling 709/203
 2006/0106294 A1 5/2006 Maser et al.
 2006/0116552 A1 6/2006 Noguchi et al.
 2006/0122538 A1 6/2006 Kellett et al.
 2006/0129070 A1 6/2006 Pearl et al.
 2007/0244363 A1 10/2007 Sano et al.
 2007/0293792 A1 12/2007 Sliwa et al.
 2008/0200926 A1 8/2008 Verard et al.
 2008/0306387 A1 12/2008 Schutz et al.
 2009/0023996 A1 1/2009 Fujikura
 2009/0068443 A1 3/2009 Curtet et al.
 2009/0069721 A1* 3/2009 Kellett A61B 5/1076
 600/587
 2009/0209813 A1 8/2009 Lubowski et al.
 2010/0256461 A1 10/2010 Mohamedali et al.
 2010/0262020 A1 10/2010 Backman et al.
 2010/0305400 A1 12/2010 Onoda et al.
 2011/0172563 A1 7/2011 Kellett et al.
 2011/0302694 A1 12/2011 Wang et al.
 2013/0023770 A1 1/2013 Courtney et al.

2014/0121529 A1 5/2014 LaFarge
 2014/0121533 A1 5/2014 LaFarge
 2014/0121534 A1 5/2014 LaFarge
 2014/0121535 A1 5/2014 LaFarge
 2014/0121536 A1 5/2014 LaFarge
 2014/0121562 A1 5/2014 LaFarge

FOREIGN PATENT DOCUMENTS

WO 2005/051191 A1 6/2005
 WO 2009/067573 A3 9/2009

OTHER PUBLICATIONS

DesignBoom "Fiber Optics Light Glove", Sep. 28, 2007. <http://www.designboom.com/project/fiber-optics-light-glove/>.
 U.S. Appl. No. 13/663,877, filed Oct. 30, 2012, Prostate Glove With Measurement Grid.
 U.S. Appl. No. 13/663,879, filed Oct. 30, 2012, Grid for Measuring Prostate Volume.
 U.S. Appl. No. 13/663,875, filed Oct. 30, 2012, Double Membrane Prostate Glove.
 U.S. Appl. No. 13/663,883, filed Oct. 30, 2012, Finger Clip for Prostate Glove.
 U.S. Appl. No. 13/663,888, filed Oct. 30, 2012, Connector for Use With a Prostate Measurement System.
 U.S. Appl. No. 13/663,890, filed Oct. 30, 2012, Controller for Measuring Prostate Volume.
 International Search Report and Written Opinion for Application No. PCT/US2013/063986 mailed Apr. 11, 2014 (19 Pages).
 Eri, L.M., et al., Accuracy and repeatability of prostate volume measurements by transrectal ultrasound. Prostate Cancer and Prostatic Diseases, 2002;5:273-8.
 International Application No. PCT/US08/084112—International Search Report, Written Opinion, and IPRP.
 International Application No. PCT/US04/039664—International Search Report, Written Opinion, and IPRP.
 Extended European Search Report for Application No. 13852114.1, issued May 11, 2016 (6 pages).

* cited by examiner

FIG. 1

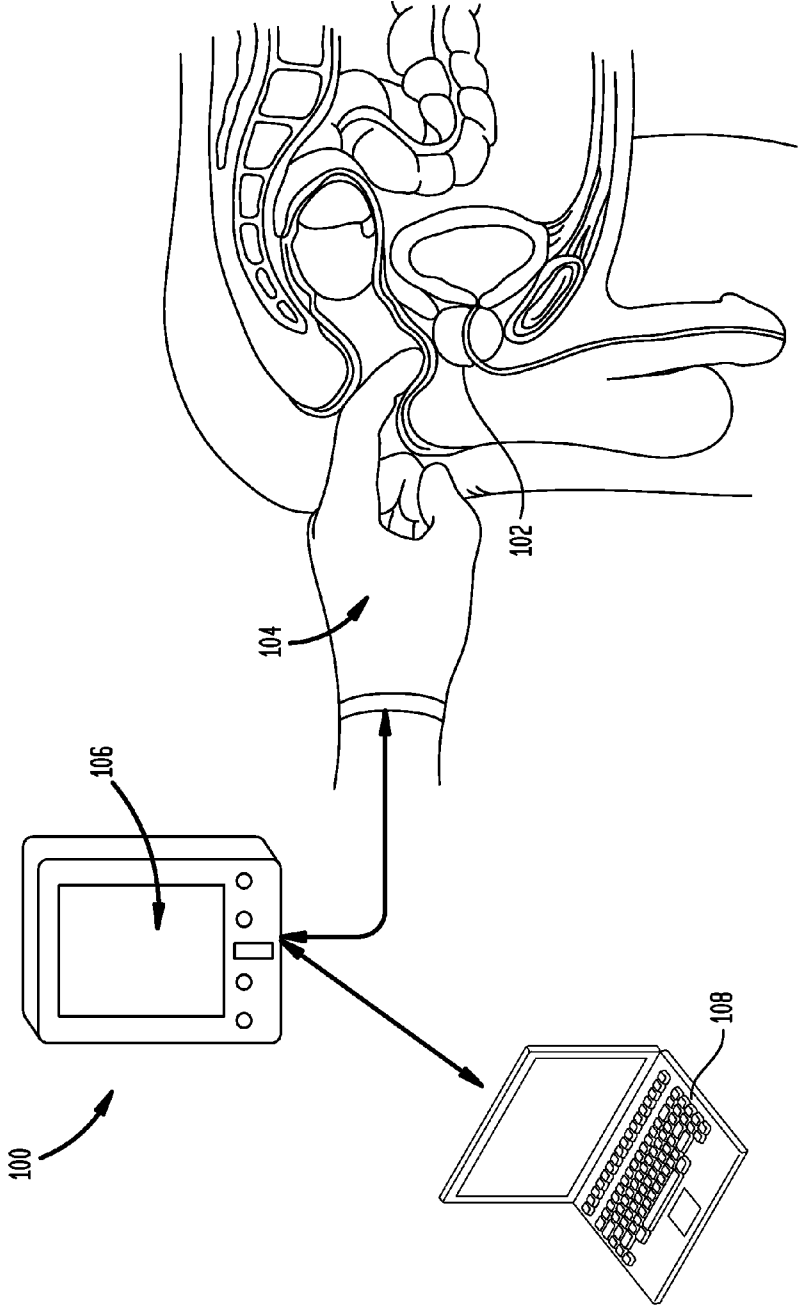


FIG. 2

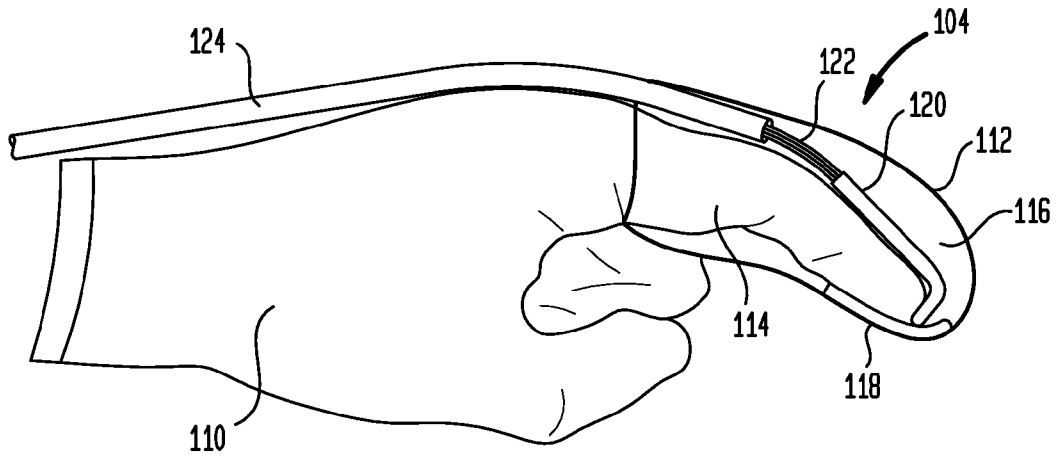


FIG. 3

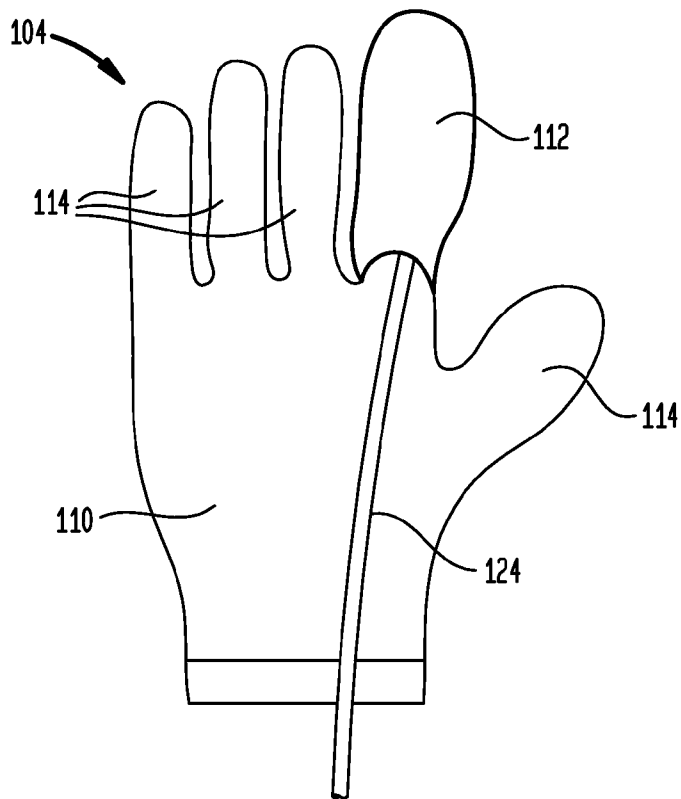


FIG. 4A

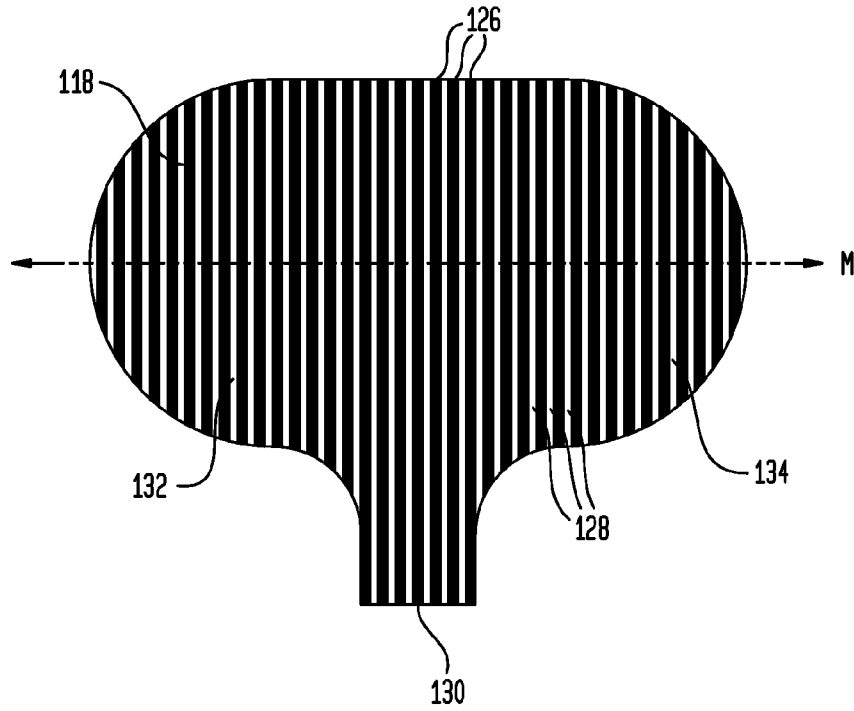


FIG. 4B

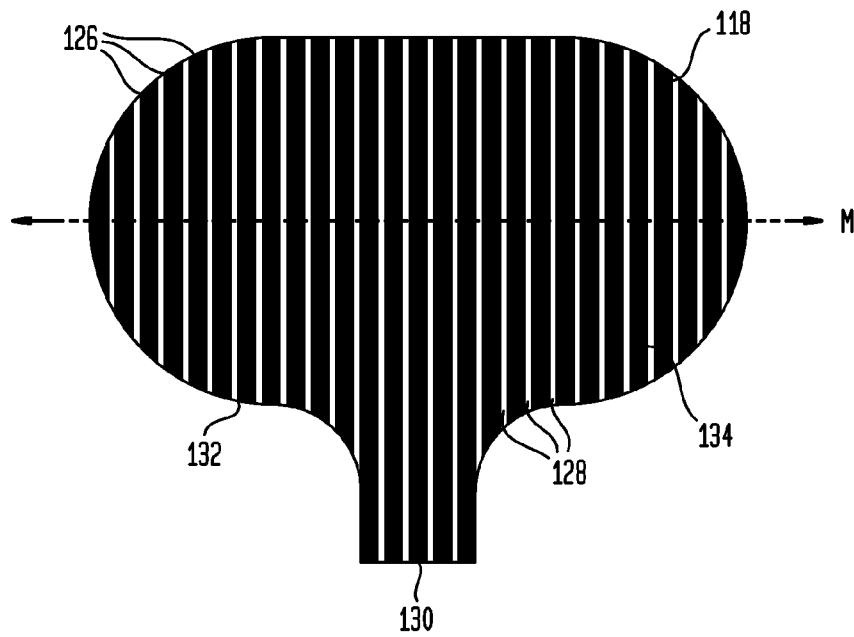


FIG. 5A

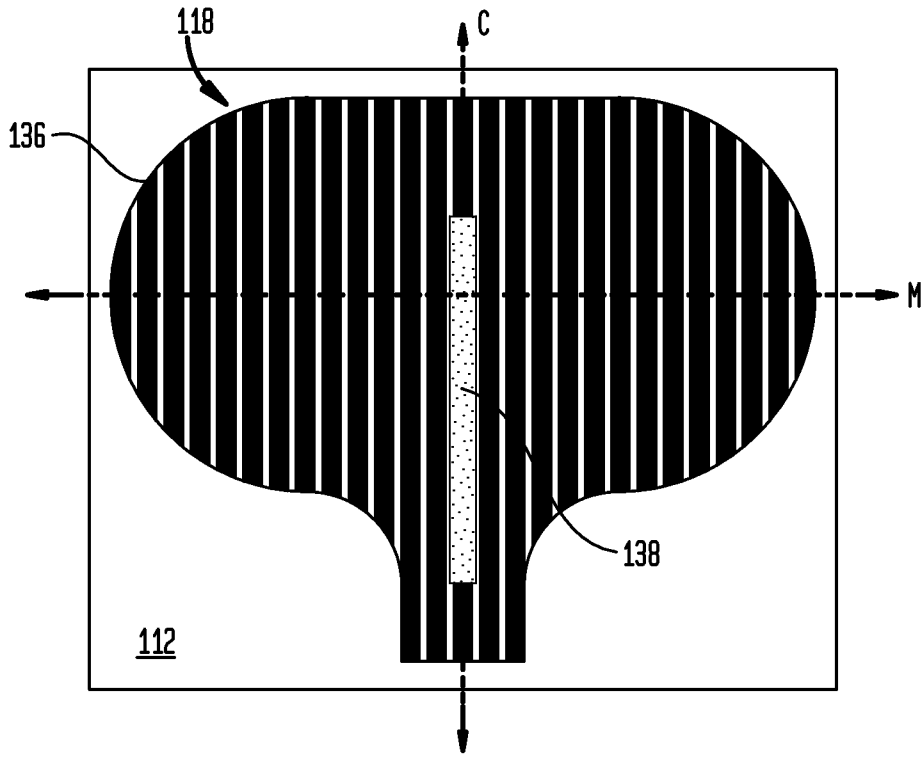


FIG. 5B

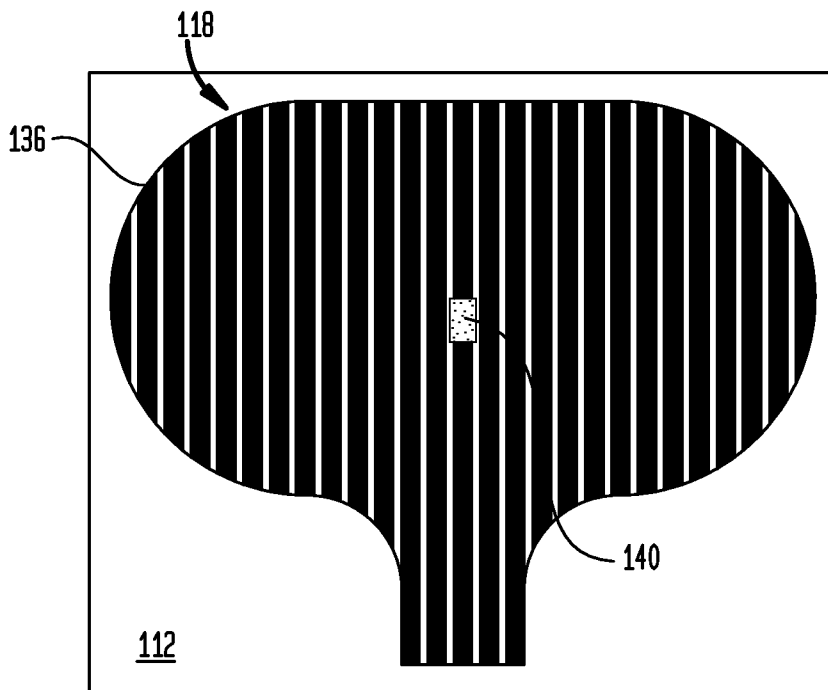


FIG. 6A

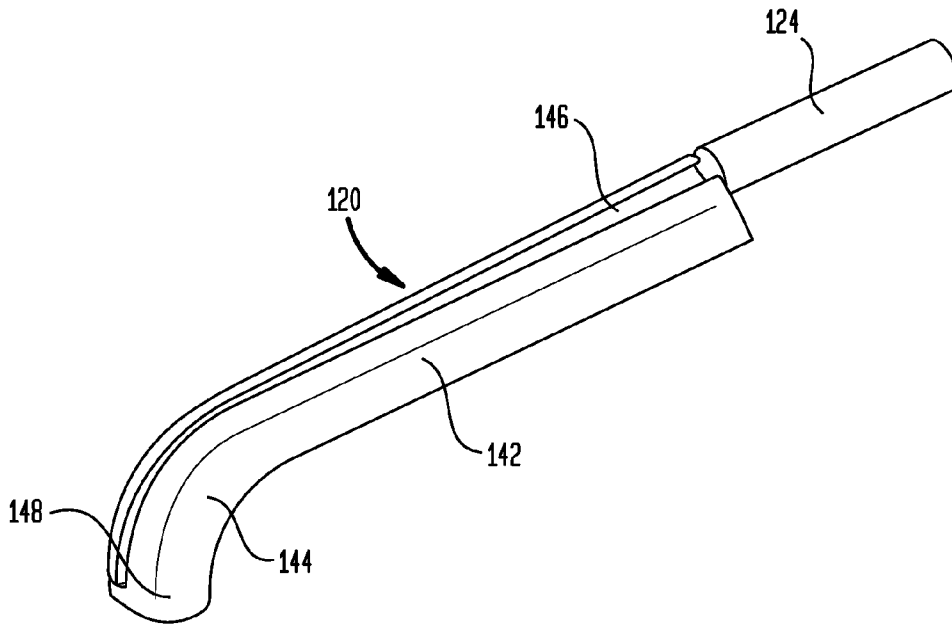


FIG. 6B

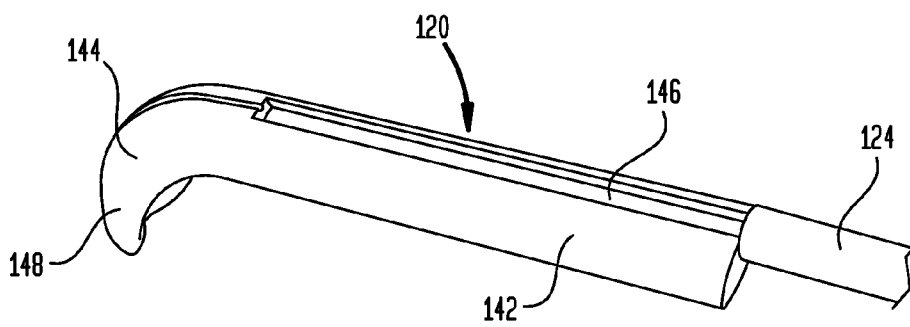


FIG. 6C

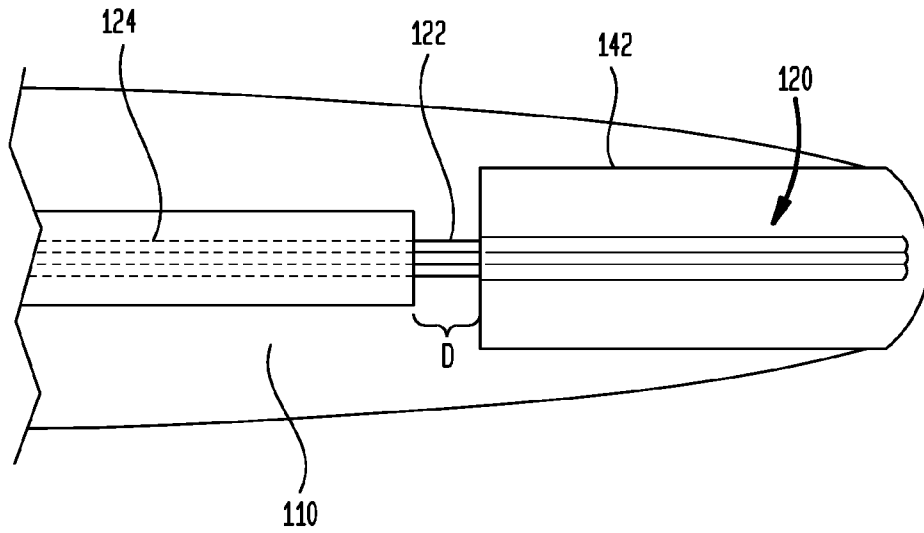


FIG. 6D

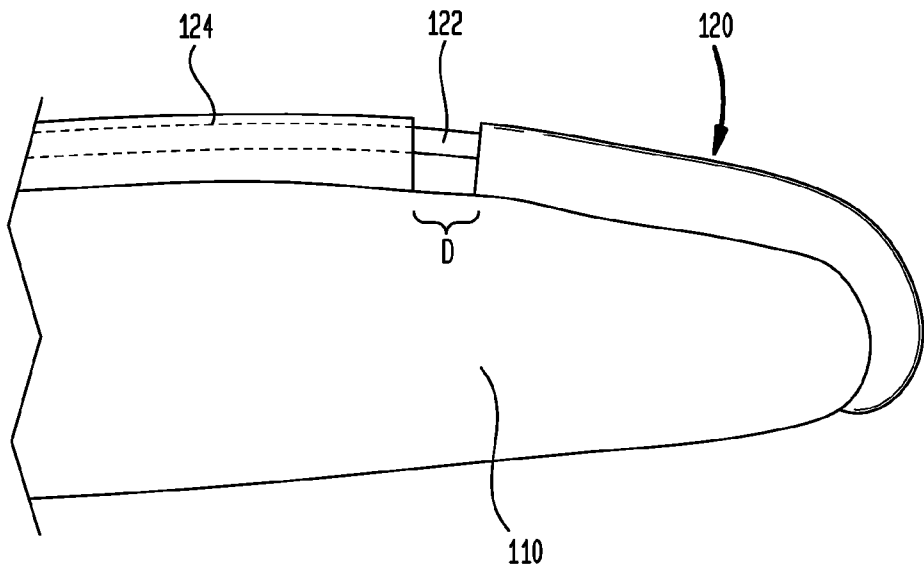


FIG. 7A

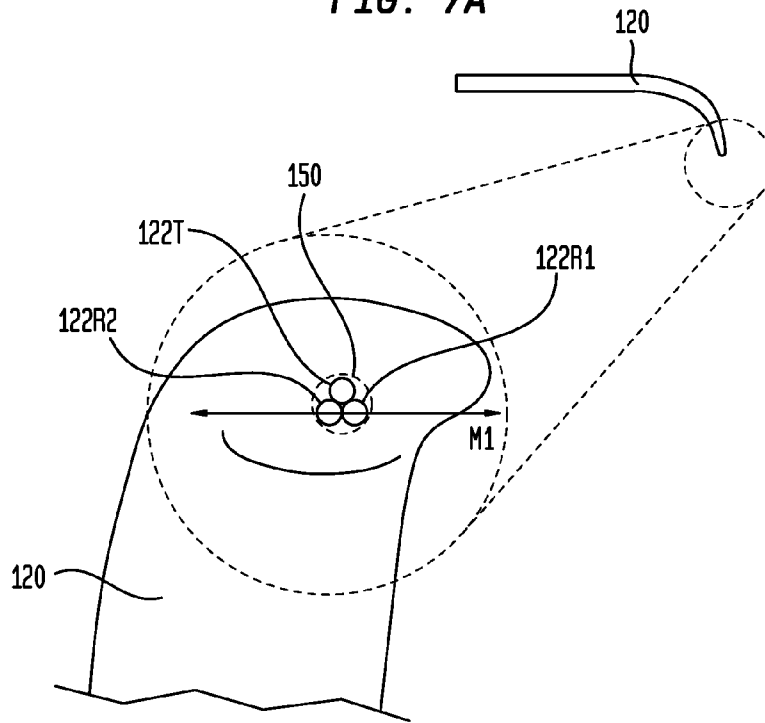


FIG. 7B

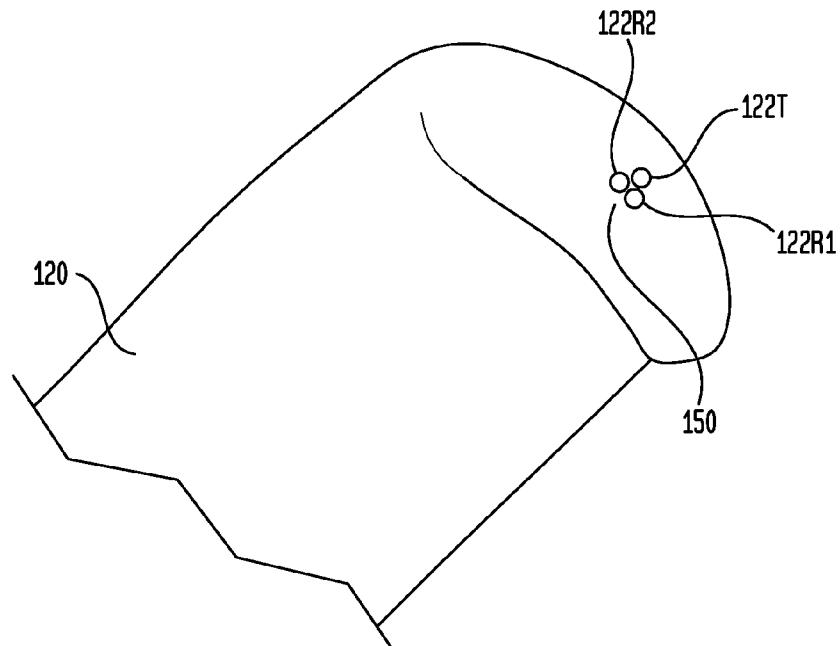


FIG. 7C

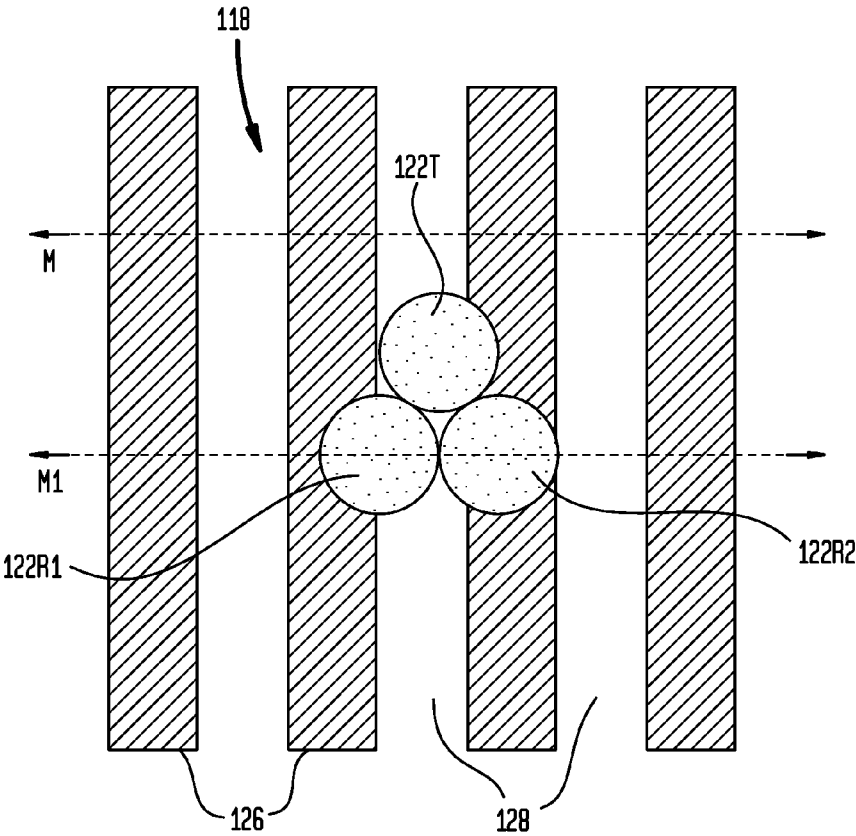


FIG. 8A

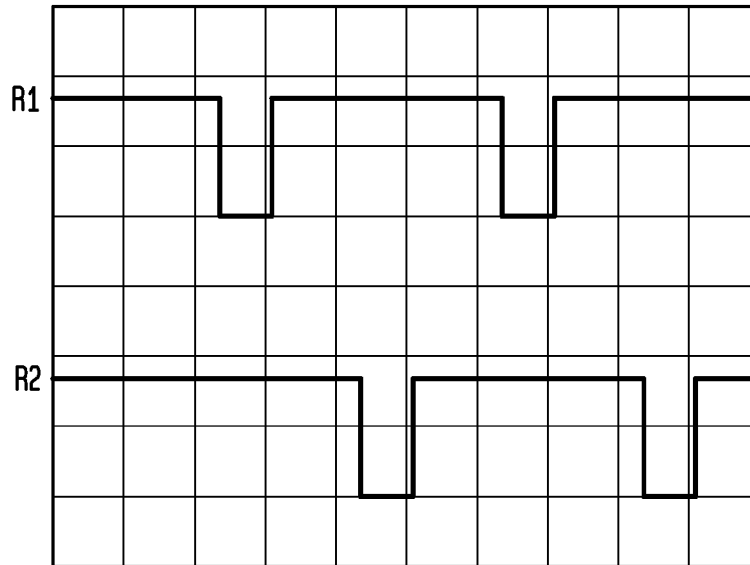


FIG. 8B

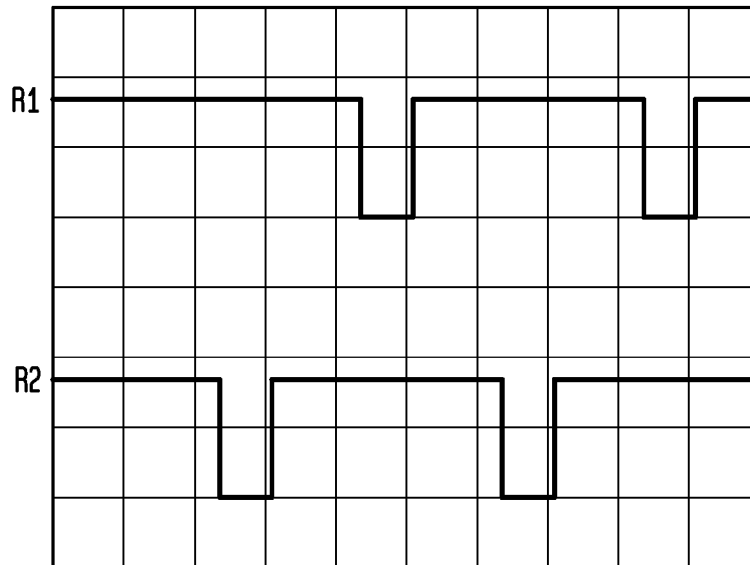


FIG. 9A

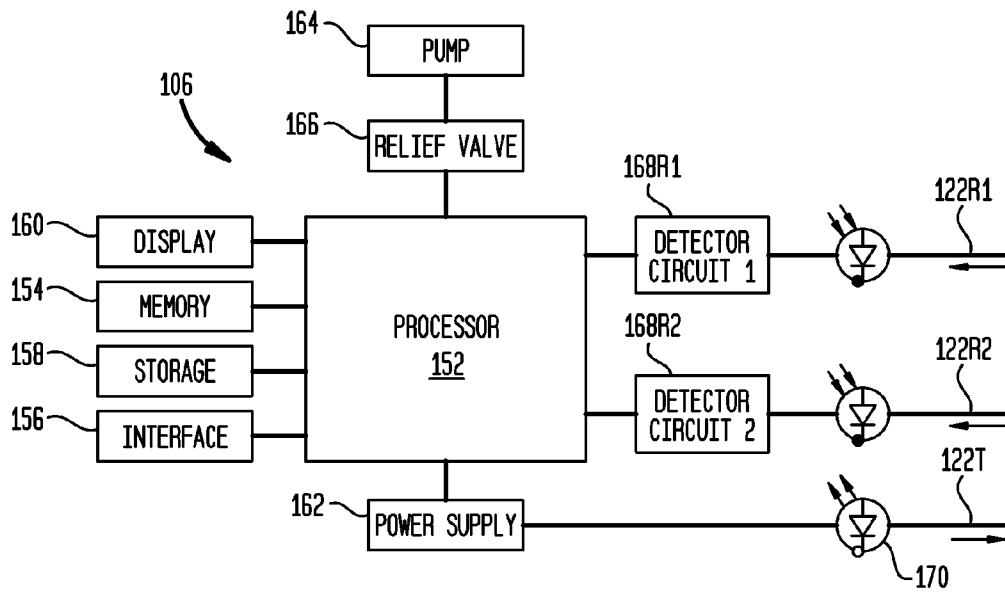


FIG. 9B

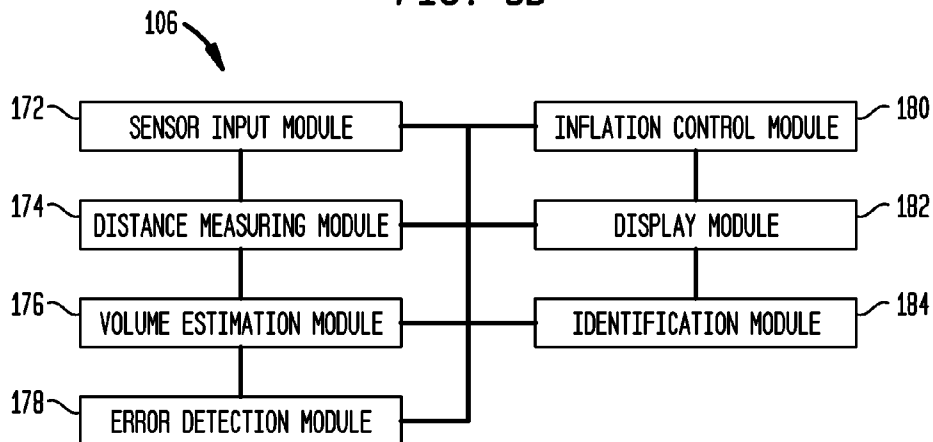


FIG. 10

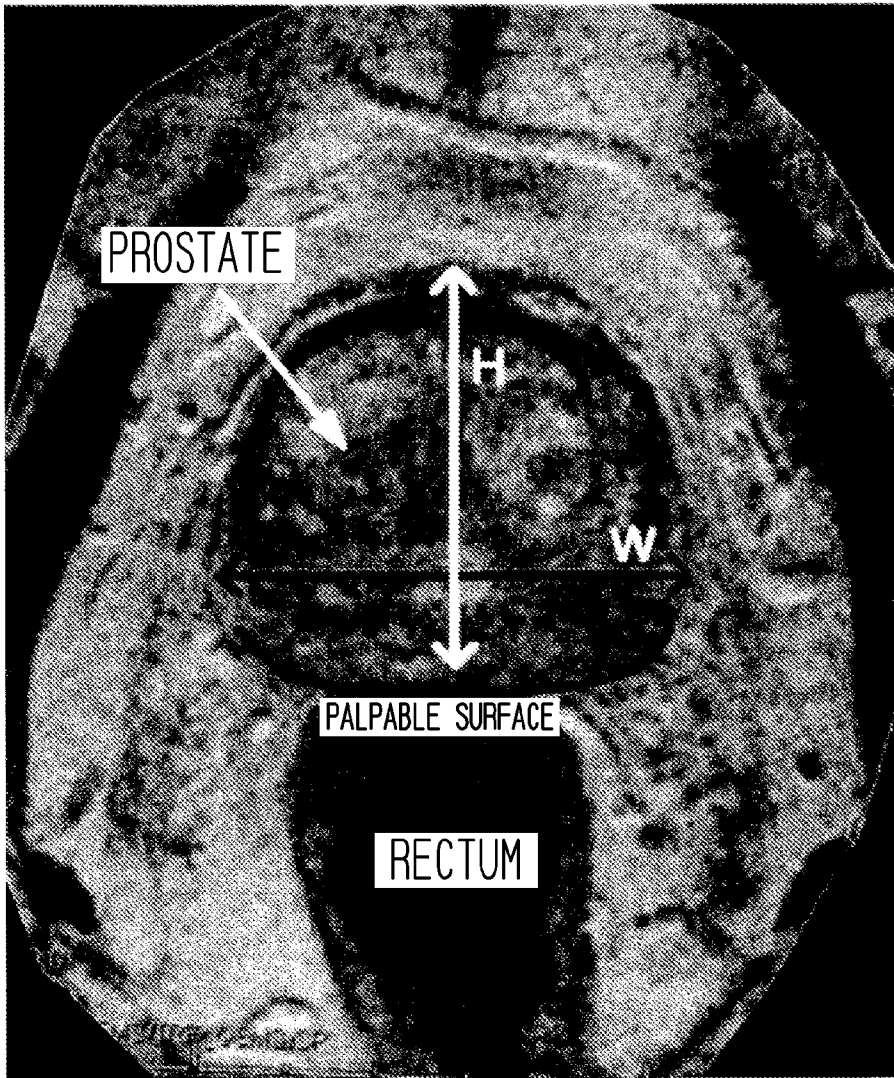
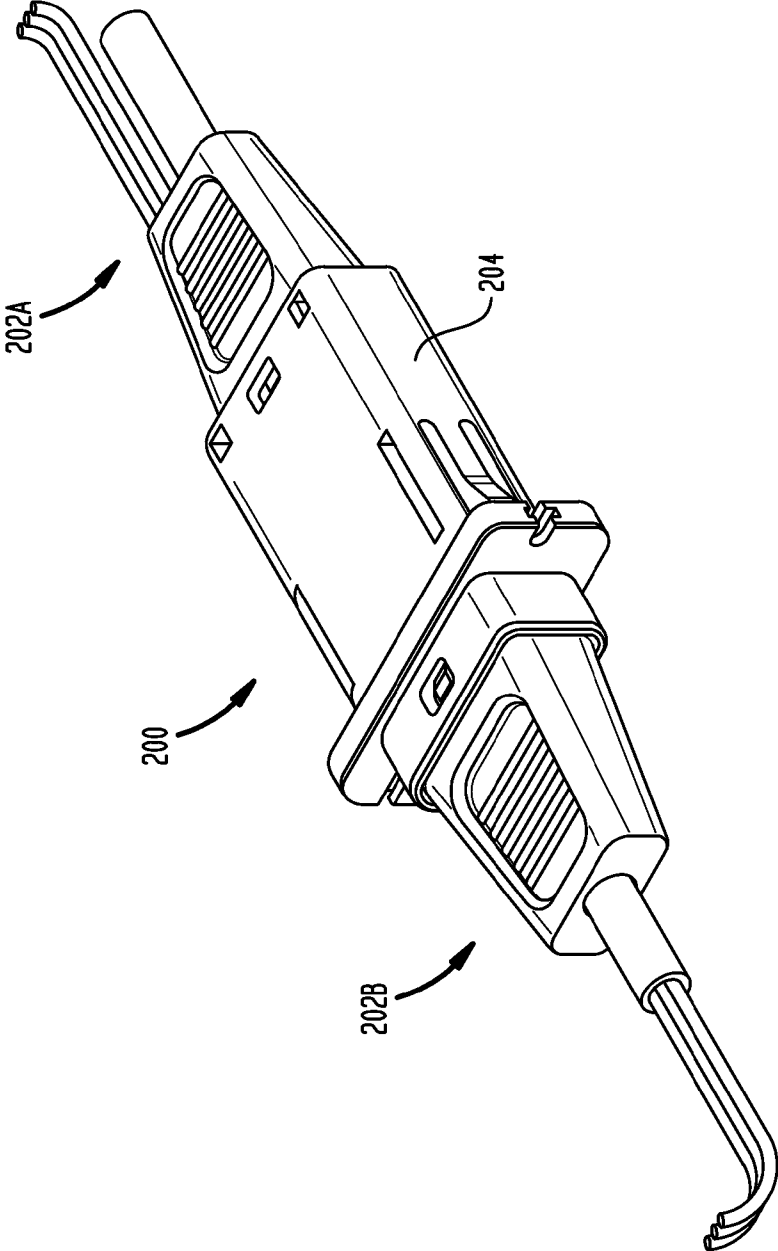


FIG. 11A



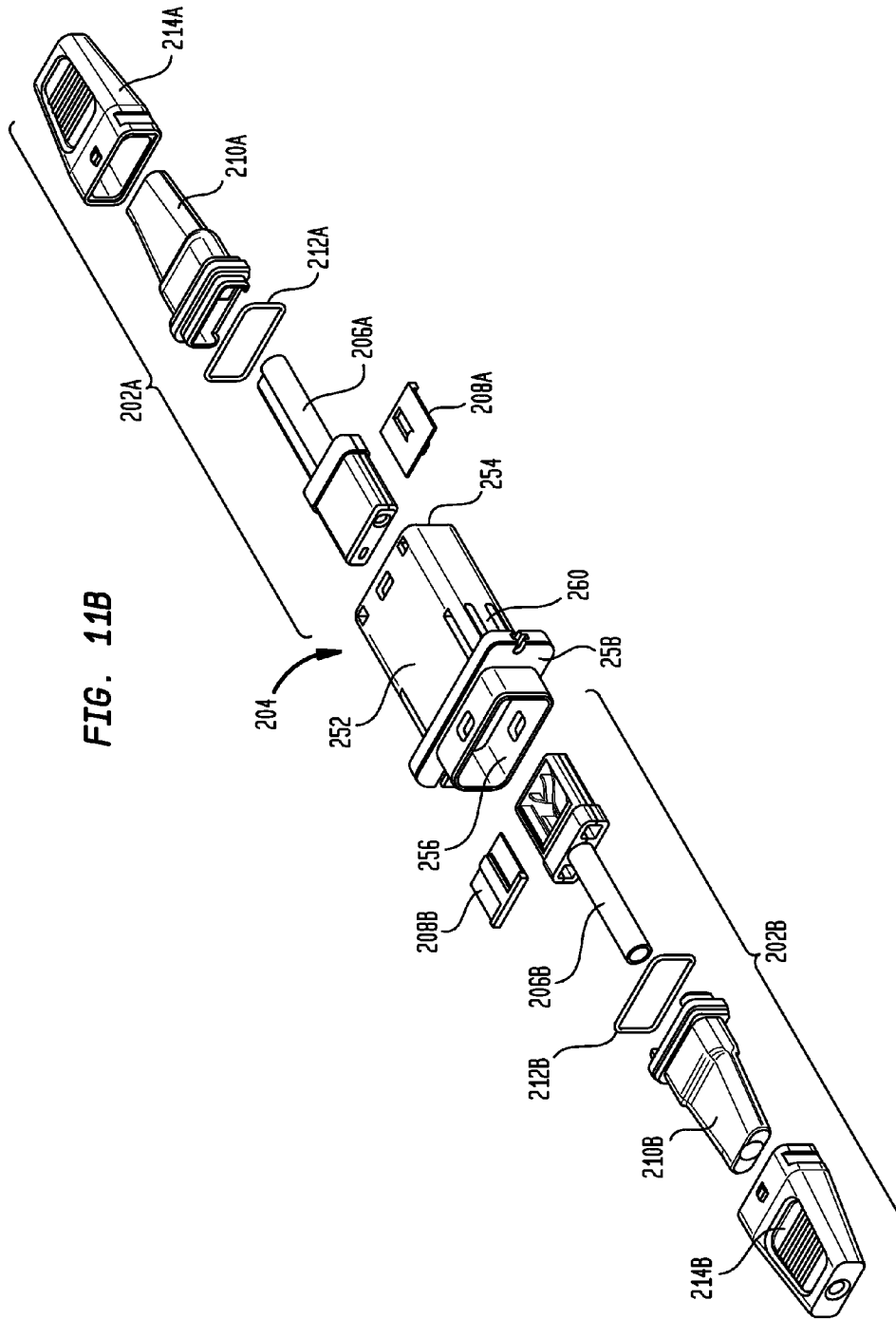


FIG. 11B

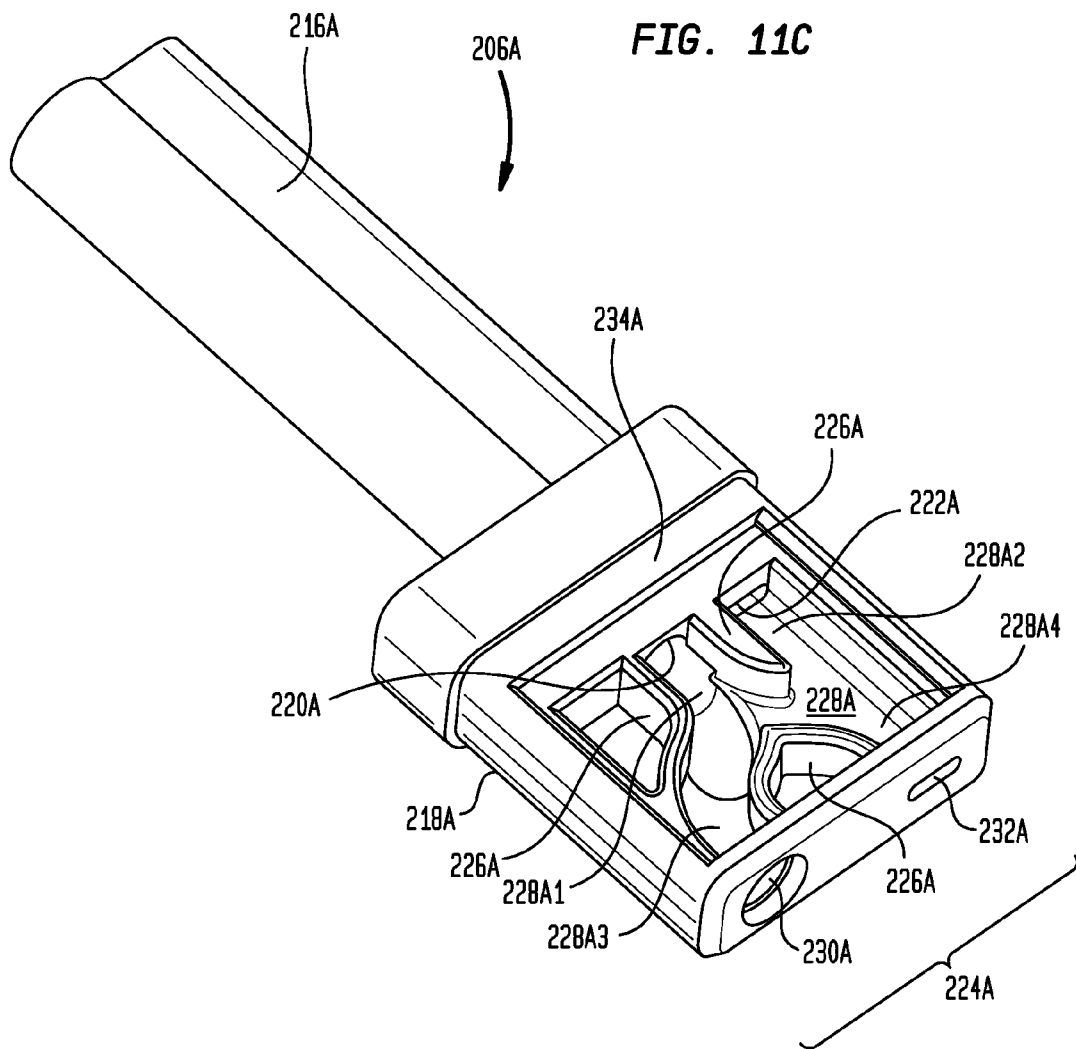


FIG. 11D

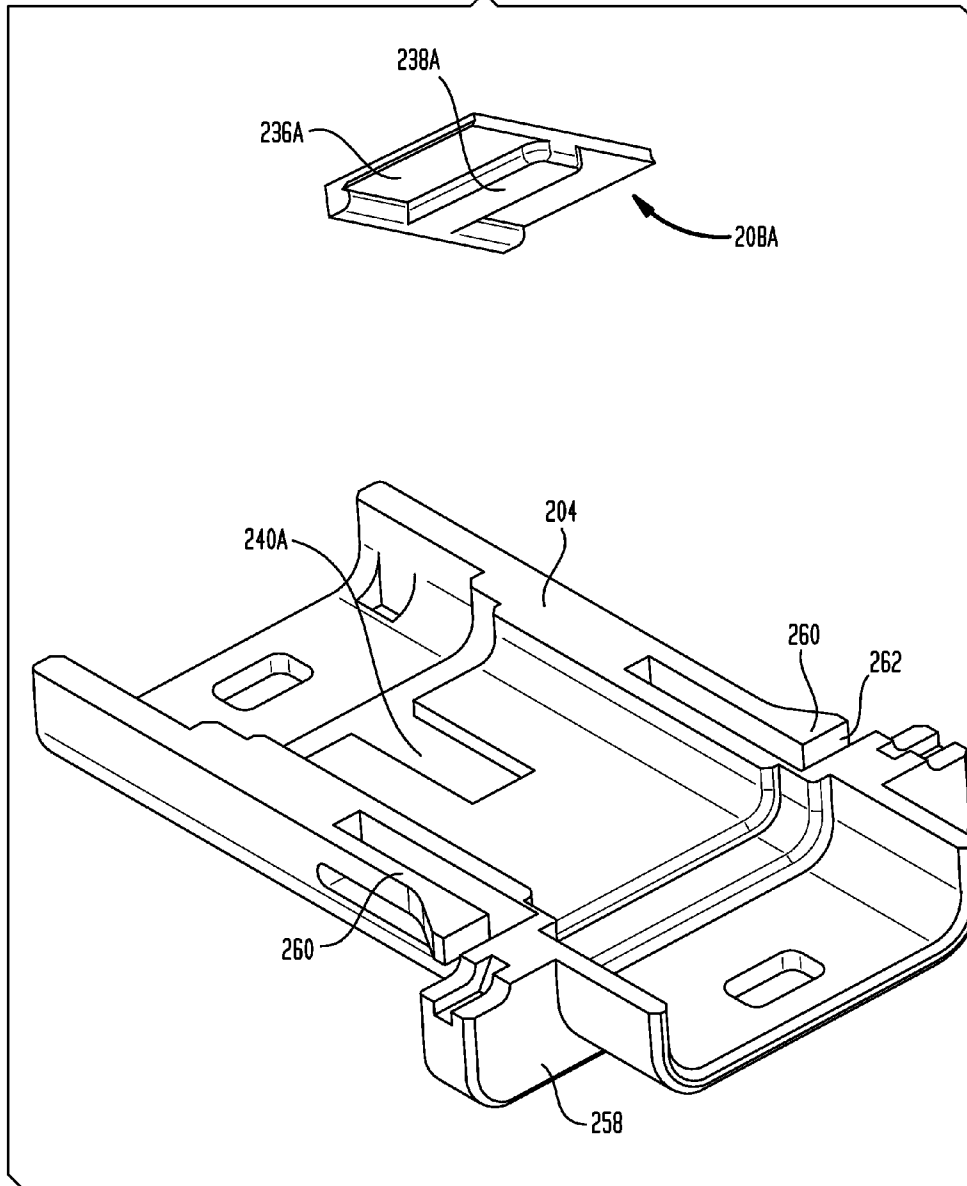


FIG. 11E

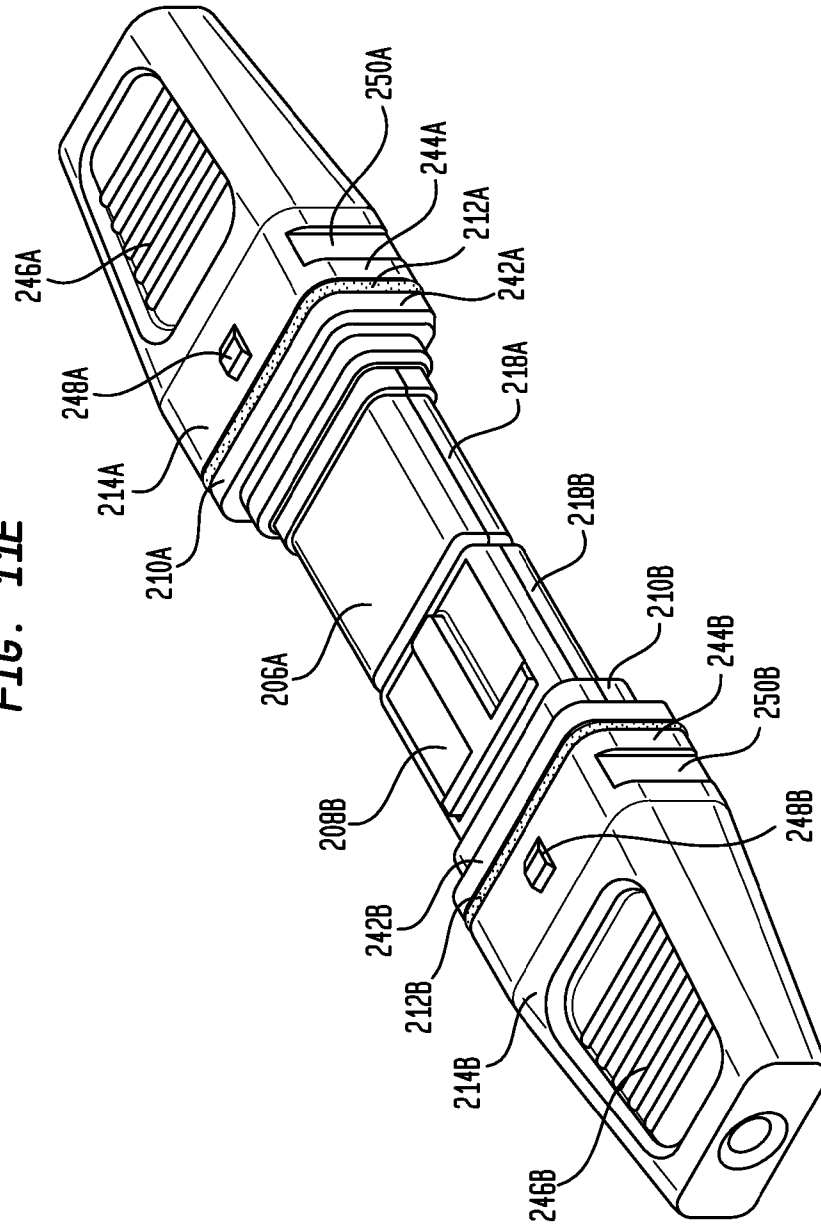


FIG. 11F

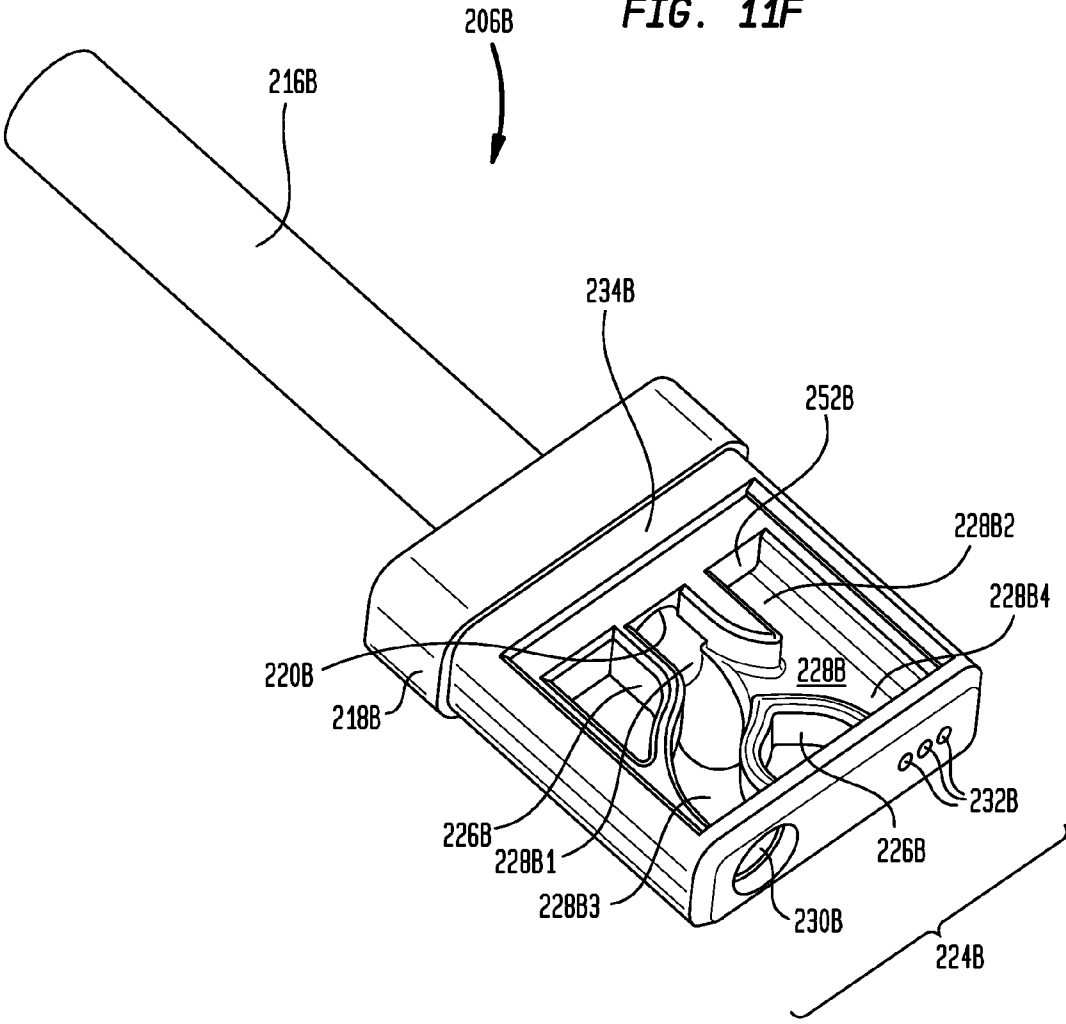


FIG. 11G

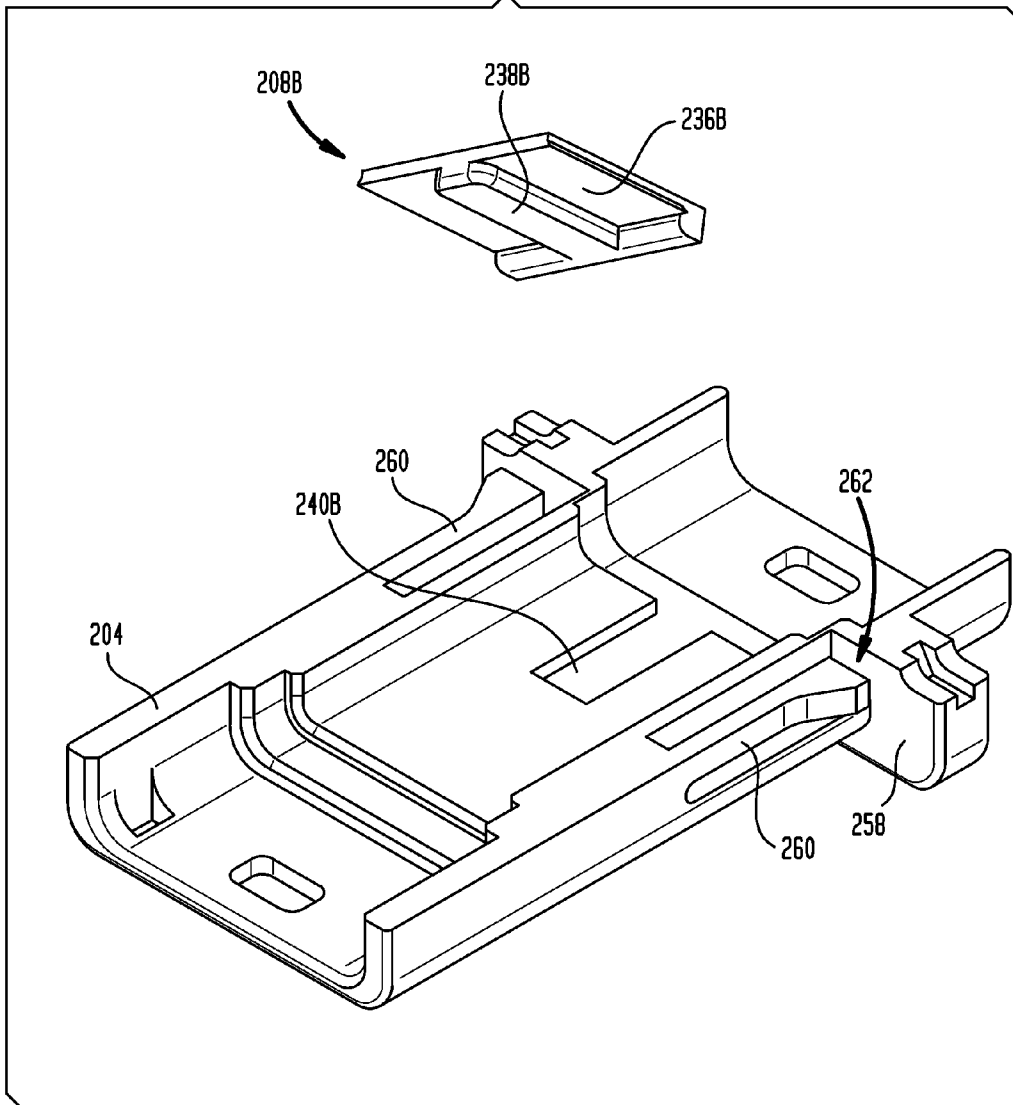


FIG. 11H

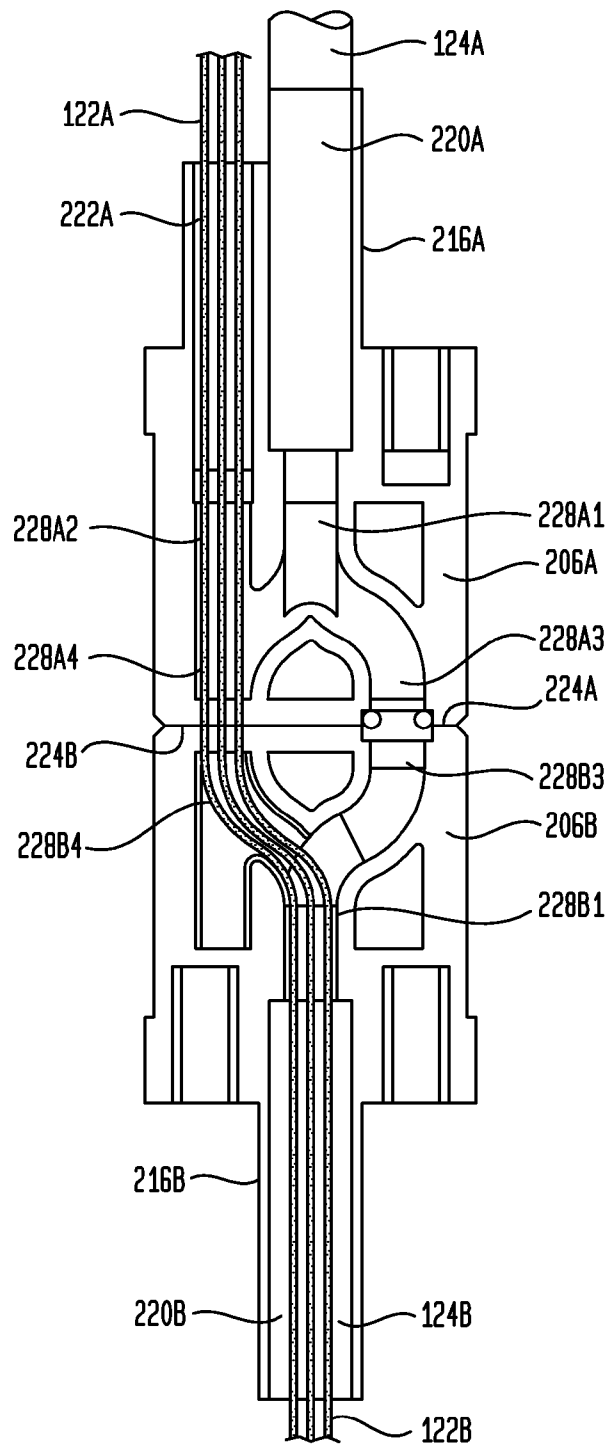


FIG. 12A

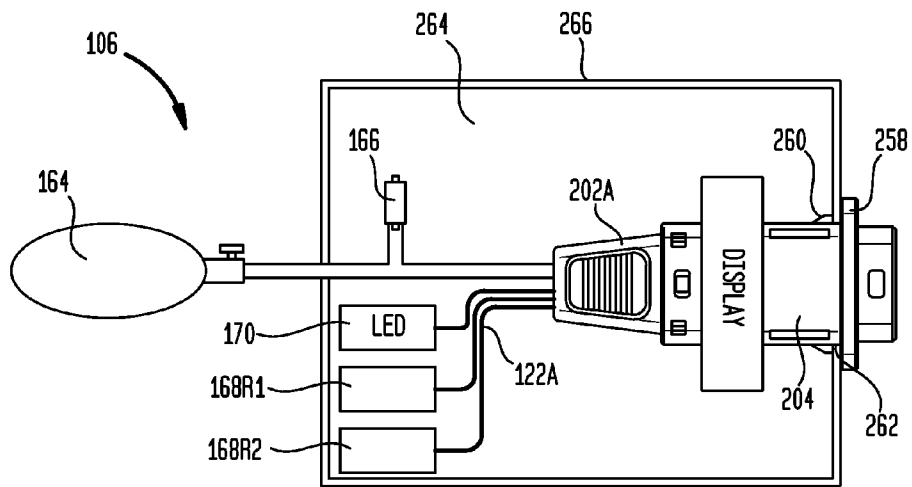
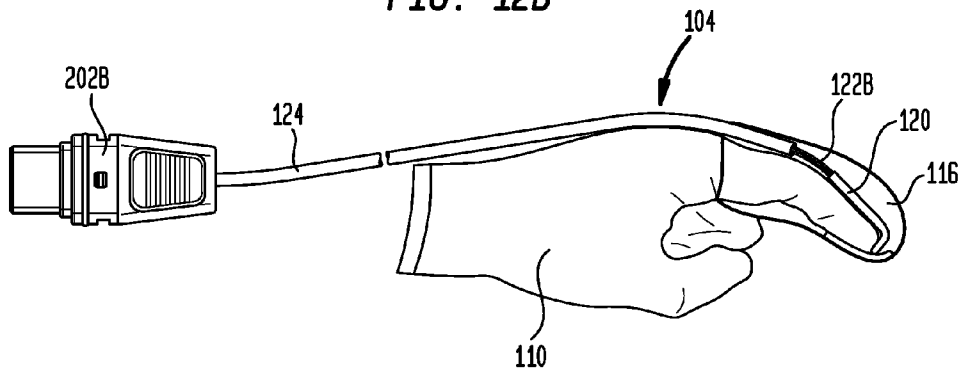


FIG. 12B



1

PROSTATE GLOVE WITH RECEIVER FIBERS

FIELD

The present disclosure relates to systems and methods for measuring or evaluating an object. In some embodiments, systems and methods for measuring the prostate are provided.

BACKGROUND

Prostate problems are widespread in the male population, especially the older male population. In particular, benign prostatic hyperplasia (BPH) and prostate cancer are common in men over 50 years of age. Indeed, prostate cancer is the second most common cancer in men in the United States. Each year, there are more than 200,000 new cases and more than 30,000 deaths. However, if prostate cancer is detected early and treated effectively, the chance of survival improves significantly. Unfortunately, conventional methods for detecting prostate problems are wanting as many early stage cancers go undetected.

While ultrasound systems have been developed to diagnose prostate problems, such systems are very expensive. Most ultrasound imaging is performed by radiologists at an outside facility, or at the practitioner's office on a contract basis with a portable ultrasound unit. The technology and interpretation is difficult to master, requiring a time-consuming learning curve. Consequently, no routine examining system or technique exists which provides a high degree of accuracy in measuring prostate volume, nor is the required repeatability of results achieved.

Thus, the digital rectal examination continues to be the modality of choice for monitoring the prostate even though the process is very subjective. The standard exam is done by inserting a finger into the rectum and palpating or feeling the palpable surface of the prostate. The physical characteristics of the prostate size, contour, consistency, symmetry, and the presence or absence of nodularity, are assessed and recorded by attempting to translate the physician's subjective impressions into a written record. This method of data collection is inexact and makes comparisons from exam to exam very difficult.

Exemplary methods and devices for measuring the prostate are disclosed in U.S. Pat. No. 7,309,319, entitled "APPARATUS AND METHOD FOR MEASURING THE DIMENSIONS OF THE PALPABLE SURFACE OF THE PROSTATE," U.S. Publication No. 2009/0069721, entitled "APPARATUS AND METHOD FOR MEASURING THE DIMENSIONS OF THE PALPABLE SURFACE OF THE PROSTATE," and U.S. Publication No. 2011/0172563, entitled "APPARATUS AND METHOD FOR MEASURING THE DIMENSIONS OF THE PALPABLE SURFACE OF THE PROSTATE," the entire contents of each of which are incorporated herein by reference in their entirety.

SUMMARY

Systems and methods are provided herein that generally involve measuring a prostate or other object. In some embodiments, a reference pattern is positioned adjacent to the object to be measured and light reflected from the reference pattern is measured or interpreted to estimate various attributes of the object, such as its volume. For example, a membrane can be sealed over a glove to form a closed volume. The closed volume can be configured to be expanded via an inflation tube, and a reference pattern can be disposed within the

2

closed volume along with one or more optical fibers. In use, a user can put on the glove, position the membrane in proximity to a rectal wall overlying a prostate, and inflate the membrane. As the user slides their finger across the rectal wall, the optical fibers move relative to the reference pattern and a controller senses light reflected through the fibers from the reference pattern. The controller can calculate or estimate various attributes of the prostate based on the reflected light, such as the palpable surface width or volume.

In one aspect, an examination device is provided that includes a glove configured to be removably disposed around a human hand, the glove having a digit extension configured to receive a human digit of a human hand disposed within the glove. The device can include a membrane disposed over at least a portion of the digit extension, the membrane and the digit extension forming a closed volume therebetween. The device can also include a reference pattern disposed within the closed volume, and at least one optical fiber extending into the closed volume and in optical communication with the reference pattern, the optical fiber being configured to move relative to the reference pattern.

An inflation tube can extend into the closed volume through which an inflation medium can be supplied to inflate the membrane relative to the digit extension. In one embodiment, the at least one fiber can extend through the inflation tube. In certain aspects, the membrane can be in the form of an elongate tubular body having a closed distal end and a proximal end that is sealed circumferentially around the digit extension. The membrane can be sealed to the digit extension, for example, using an adhesive. In other aspects, the optical fiber can be coupled to the digit extension and the reference pattern can be coupled to the membrane. In an exemplary embodiment, the at least one optical fiber can include a first transmitting fiber configured to direct light generated by an external light source onto the reference pattern, and a first receiver fiber configured to direct light reflected by the reference pattern to a first external optical detector. The at least one optical fiber can further include a second receiver fiber configured to direct light reflected by the reference pattern to a second external optical detector. The first transmitter fiber, the first receiver fiber, and the second receiver fiber can extend through an inflation tube configured to supply an inflation medium to the closed volume.

In another aspect, an examination device is provided that includes a glove configured to be removably disposed around a human hand, an inflatable membrane sealed around at least a portion of the glove to define a closed volume between the membrane and the glove, a reference pattern coupled to a surface of the membrane, and at least one optical fiber extending into the closed volume and coupled to the glove such that the at least one optical fiber is movable with the portion of the glove relative to the membrane, the at least one optical fiber being in optical communication with the reference pattern.

The at least one optical fiber can include a first transmitter fiber, a first receiver fiber, and a second receiver fiber. The device can include an inflation tube in fluid communication with the closed volume for delivering an inflation fluid into the closed volume to inflate the membrane relative to the glove. The at least one optical fiber can extend through the inflation tube.

In another aspect, a method of measuring a prostate is provided that includes positioning a digit extension of a glove in proximity to a rectal wall adjacent the prostate, the digit extension having at least one optical fiber coupled thereto and a membrane disposed therearound to form a closed volume. The method can also include inflating the closed volume relative to the digit extension such that the membrane con-

tacts the rectal wall, and moving the at least one optical fiber across a reference pattern disposed within the closed volume from a first lateral margin of the prostate to a second lateral margin of the prostate, thereby generating information indicative of a distance traveled by the at least one optical fiber.

The method can include using at least one processor to correlate the information indicative of a distance traveled by the at least one optical fiber with a palpable surface width of the prostate. The method can include using at least one processor to correlate the palpable surface width of the prostate with a volume of the prostate. The at least one optical fiber can be coupled to the digit extension, the reference pattern can be coupled to the membrane, and moving the at least one optical fiber can include moving the digit extension relative to the membrane.

In another aspect, an examination device is provided that includes an inflatable membrane defining an enclosed volume, and a substrate coupled to an interior surface of the membrane and having a plurality of reference lines formed on the substrate and arranged along a measurement axis. The substrate can be configured such that, when the inflatable membrane is inflated, a spacing between the plurality of reference lines remains constant.

The indicia can be printed on the substrate. The substrate can include or be formed of polyethylene. The substrate can be attached to the membrane only along a central axis of the substrate. The central axis can extend perpendicular to the measurement axis. The substrate can be attached to the membrane only at a center point of the substrate. The substrate can be attached to the membrane using at least one of an adhesive and a weld. The substrate can have a thickness between about 0.5 mils and about 6.0 mils. The substrate can have a thickness of about 2 mils. The device can include an optical fiber extending into the enclosed volume defined by the membrane. The membrane can be disposed over a digit extension of a glove.

In another aspect, a method of manufacturing an examination device is provided that includes attaching a substrate to a membrane such that the membrane is stretchable independently from the substrate, the substrate having a reference pattern comprising a plurality of indicia formed on the substrate and spaced along a measurement axis. The method can include positioning the membrane over a digit extension of a glove configured to be removably disposed around a human hand, and sealing a perimeter of the membrane to the glove such that the digit extension is independently movable relative to the reference pattern.

The substrate can be attached to the membrane only along a central axis of the substrate, the central axis extending perpendicular to the measurement axis. The indicia can be printed on the substrate. The substrate can be attached to the membrane only at a center point of the substrate. The substrate can be attached to the membrane using at least one of an adhesive and a weld. The method can include coupling an optical fiber to the glove such that a terminal end of the optical fiber extends between the membrane and the glove.

In another aspect, a method of measuring a prostate is provided that includes positioning a membrane in proximity to a rectal wall adjacent a prostate. The method can include inflating the membrane such that the membrane contacts the rectal wall, wherein a substrate attached to an interior surface of the membrane has a plurality of reference lines formed thereon, the reference lines defining a space therebetween that remains constant as the membrane is inflated. The method can include moving at least one optical fiber extending into an interior volume of the membrane across the plu-

rality of reference lines to generate information indicative of a distance traveled by the at least one optical fiber.

The membrane can be disposed around a digit extension of a glove, and inflating the membrane can expand an interior volume between the glove and the membrane.

In another aspect, an examination device is provided that includes a glove configured to be removably disposed over a human hand, a membrane disposed over a portion of the glove and defining an enclosed volume between the glove and the membrane, and a reference pattern comprising a plurality of indicia disposed on the membrane and arranged along a measurement axis.

The indicia can be printed on the membrane. The indicia can be printed on a substrate coupled to the membrane. A spacing between the plurality of indicia as measured along the measurement axis can be configured to remain constant upon inflation and deflation of the membrane. The plurality of indicia can include lines extending perpendicular to the measurement axis. The lines can be separated by spaces having a width as measured along the measurement axis that is equal to a width of the lines as measured along the measurement axis. The lines can be separated by spaces having a width as measured along the measurement axis that is less than half of a width of the lines as measured along the measurement axis.

The device can include an optical fiber extending into the enclosed volume, the lines being separated by spaces having a width as measured along the measurement axis that is less than a diameter of the optical fiber. The lines can have a width as measured along the measurement axis of approximately 0.7 mm and the lines can be separated by spaces having a width as measured along the measurement axis of approximately 0.3 mm. The plurality of indicia can define a uniform series of alternating dark and light portions. The plurality of indicia can extend along a portion of the substrate having a width as measured along the measurement axis of about 2 inches and a height as measured along an axis perpendicular to the measurement axis of about 1.5 inches.

In another aspect, an examination device is provided that includes an inflatable membrane configured to be disposed over and sealed around a digit extension of a glove for a human hand, the membrane defining an enclosed volume. The device can include a non-inflatable substrate coupled to an interior surface of the inflatable membrane, the non-inflatable substrate having a reference pattern disposed thereon, the reference pattern comprising a plurality of indicia arranged along a measurement axis.

The plurality of indicia can extend substantially parallel to one another. The plurality of indicia can define a uniform series of alternating dark and light portions. The plurality of indicia can be separated by spaces having a width that is equal to a width of the lines. The plurality of indicia can be separated by spaces having a width that is less than half of a width of the lines. The device can include an optical fiber extending into the enclosed volume, the plurality of indicia being separated by spaces having a width that is less than a diameter of the optical fiber. The plurality of indicia can have a width of approximately 0.7 mm and the lines can be separated by spaces having a width of approximately 0.3 mm.

In another aspect, an examination device is provided that includes a membrane defining an interior volume, a reference pattern disposed within the interior volume of the membrane, an illumination fiber extending into the interior volume of the membrane and configured to transmit light to the reference pattern through an output window, a first receiving fiber extending into the interior volume of the membrane and configured to receive light reflected from the reference pattern through a first input window, and a second receiving fiber

extending into the interior volume of the membrane and configured to receive light reflected from the reference pattern through a second input window.

The output window can be formed in a terminal distal end of the illumination fiber, the first input window can be formed in a terminal distal end of the first receiving fiber, and the second input window can be formed in a terminal distal end of the second receiving fiber. The output window, the first input window, and the second input window can be disposed adjacent to one another in a delta configuration. The reference pattern can include a plurality of indicia arranged along a measurement axis and the first input window and the second input window can be arranged in a line that is substantially parallel to the measurement axis. The plurality of indicia can include a series of lines spaced equally along the measurement axis. The illumination fiber, the first receiving fiber, and the second receiving fiber can be configured to transmit near infrared light. The illumination fiber, the first receiving fiber, and the second receiving fiber can each have a diameter of approximately 0.5 mm.

In another aspect, a method of measuring an object is provided that includes positioning a reference pattern in proximity to an object, the reference pattern comprising alternating light and dark spaces arranged along a measurement axis, and positioning an optical receiver comprising an illumination fiber and first and second receiver fibers over the reference pattern such that an output window of the illumination fiber is aimed at the reference pattern and such that an input window of the first receiving fiber and an input window of the second receiving fiber are disposed along a line that is substantially parallel to the measurement axis. The method can include moving the optical receiver along the line relative to the reference pattern, and detecting a change in direction of movement of the optical receiver by measuring the light received by the first receiving fiber in time relation to the light received by the second receiving fiber.

In another aspect, an examination device is provided that includes a glove having a digit extension, a membrane disposed over at least a portion of the digit extension, the membrane and the digit extension forming a closed volume therebetween, and a finger clip attached to the digit extension and disposed within the closed volume. The device can include at least one illumination optical fiber and at least one receiving optical fiber extending into the closed volume and through the finger clip, and an inflation tube extending into the closed volume and configured to introduce an inflation medium into the closed volume.

The finger clip can be attached to the digit extension such that it extends along a dorsal surface of the digit extension and down across a distal tip of the digit extension. The at least one illumination optical fiber and the at least one receiving optical fiber can extend through the inflation tube. The inflation tube can terminate proximal to a proximal end of the finger clip. The at least one illumination optical fiber and the at least one receiving optical fiber can extend through an open channel formed in the finger clip and through a tunnel oriented substantially perpendicular to the open channel. The at least one illumination optical fiber and the at least one receiving optical fiber can terminate at a distance from a distal end of the tunnel. The distance can be between about 0.25 mm and about 0.5 mm. The digit extension can be or can include a forefinger extension.

In another aspect, a method of making an examination device is provided that includes forming an open channel in a finger clip, wherein the finger clip is configured to be disposed on a user's finger, and forming a through hole in the finger clip approximately perpendicular to the open channel

such that the through hole intersects the open channel and provides a working connection from the open channel to a distal end of the finger clip. The method can include positioning at least one fiber optic within the open channel and the through hole such that an optical window formed in a terminal distal end of the fiber optic is aimed in a direction configured to be perpendicular to a dorsal surface of a user's finger.

The at least one fiber optic can include at least one illumination fiber optic and at least one receiving fiber optic. The finger clip and the open channel can be formed by injection molding. The finger clip can be formed from injection molded, soft-durometer urethane. The method can include routing the at least one fiber optic through an inflation tube that terminates proximal to a proximal end of the finger clip.

In another aspect, a method of measuring an object is provided that includes positioning a digit extension of a glove around a user's hand such that a finger clip attached to the digit extension extends along a dorsal surface of a digit of the user's hand and down across a distal tip of the digit. The method can include positioning the digit extension in proximity to an object, inflating a membrane disposed around the digit extension to inflate the membrane relative to the digit extension and to position a reference pattern coupled to the membrane at a distance apart from a distal tip of the finger clip, and moving the distal tip of the finger clip relative to the reference pattern to generate information indicative of a distance traveled by the distal tip of the finger clip relative to the reference pattern.

In another aspect, a connector system is provided that includes a first connector body having proximal and distal ends, the distal end defining a first mating interface, a first fluid lumen extending through the first connector body from an opening at the proximal end of the first connector body to an opening formed in the first mating interface, and a first set of optical fibers extending through the first connector body and terminating at the first mating interface. The connector system can include a second connector body having proximal and distal ends, the proximal end defining a second mating interface, a second fluid lumen extending through the second connector body from an opening formed in the second mating interface to an opening at the distal end of the second connector body, and a second set of optical fibers extending through the second connector body and terminating at the second mating interface. The connector system can include a connector housing configured to maintain the first mating interface in alignment with the second mating interface such that the first set of optical fibers is in optical communication with the second set of optical fibers and the first fluid lumen is in fluid communication with the second fluid lumen.

The connector housing can be formed integrally with at least one of the first connector body and the second connector body. When mated, the first fluid lumen and the second fluid lumen can form a continuous fluid-tight passage having proximal and distal terminal ends. The first set of optical fibers can enter the fluid-tight passage at a location other than the proximal and distal terminal ends. The first set of optical fibers can extend through less than an entire length of the first fluid lumen. The second set of optical fibers can extend through the second fluid lumen and through a tube coupled to the distal end of the second connector body. The first set of optical fibers can extend from the proximal end of the first connector body into an interior of the first fluid lumen. The system can include a first key coupled to the first connector body and configured to cooperate with a corresponding recess formed in the connector housing such that the first connector body can only be inserted into the connector housing in one orientation. The system can include a first strain relief over-

mold disposable over the first connector body and a second strain relief overmold disposable over the second connector body.

In another aspect, an examination system is provided that includes a glove having a digit extension, a membrane disposed over at least a portion of the digit extension, the membrane and the digit extension forming a closed volume therebetween, and an inflation tube extending into the closed volume and configured to receive an inflation fluid for inflating the membrane. The system can include at least one optical fiber extending through the inflation tube and into the closed volume, and a connector coupled to a proximal end of the inflation tube, the connector including an inflation lumen extending from the inflation tube to a mating interface, wherein an optical opening of the at least one optical fiber terminates at the mating interface.

The system can include a first key coupled to the connector and configured to allow the connector to mate to a second connector in only one orientation.

In another aspect, an examination system is provided that includes an optical receiver coupled to at least one optical fiber, an inflation medium supply coupled to an inflation tube, and a connector coupled to a distal end of the inflation tube, the connector including an inflation lumen extending from the inflation tube to a mating interface, wherein an optical opening of the at least one optical fiber terminates at the mating interface.

The at least one optical fiber can enter the inflation lumen at a location within the connector. The system can include a light source coupled to the at least one optical fiber. The system can include at least one processor configured to interpret signals output from the optical receiver. The inflation medium supply can include at least one of a pump and a tank of compressed air.

In another aspect, a system for estimating the volume of a prostate is provided that includes a processor programmed to provide a sensor input module configured to receive information indicative of light reflected from a reference pattern as an optical fiber is moved across the reference pattern from a first prostate lateral margin to a second prostate lateral margin. The processor can be programmed to provide a distance measuring module configured to convert the received information into a prostate palpable surface width (PS_{pr}), and a volume estimation module configured to estimate a volume (V) of the prostate based on the palpable surface width (PS_{pr}).

The volume estimation module can estimate the volume (V) as $V=PS_{pr}^3 \times k$, wherein k is a constant. The constant k can be between about 0.35 and about 0.45. The constant k can be about 0.3926991. The processor can be programmed to provide an error detection module configured to detect that a measurement error has occurred when the received information indicates that a direction of movement of the optical fiber changed during a measurement. The processor can be programmed to provide a display module configured to drive a display to display the estimated volume (V). The processor can be programmed to provide an inflation control module configured to actuate a pump or a control valve to inflate a membrane disposed around a digit extension of a glove to a predetermined pressure or with a predetermined volume of air. The processor can be programmed to provide an RFID interface module configured to receive information indicative of an RFID signature of a disposable unit and to determine whether the disposable unit is an authenticated disposable unit.

In another aspect, a method of estimating the volume of a prostate is provided that includes moving an optical fiber across a reference pattern from a first lateral margin of a

prostate to a second lateral margin of the prostate to generate information indicative of light reflected from the reference pattern. The method can include using at least one processor to convert the generated information into a prostate palpable surface width (PS_{pr}), and using the at least one processor to estimate a volume (V) of the prostate based on the palpable surface width (PS_{pr}).

The method can include estimating the volume (V) as $V=PS_{pr}^3 \times k$, wherein k is a constant. The constant k can be between about 0.35 and about 0.45. The constant k can be about 0.3926991. The method can include using the at least one processor to detect that a measurement error has occurred when the generated information indicates that a direction of movement of the optical fiber changed during a measurement. The method can include using the at least one processor to drive a display to display the estimated volume (V). The method can include using the at least one processor to actuate a pump or a control valve to inflate a membrane disposed around a digit extension of a glove to a predetermined pressure or with a predetermined volume of air. The method can include using the at least one processor to receive information indicative of an RFID signature of a disposable unit and to determine whether the disposable unit is an authenticated disposable unit.

The present invention further provides devices, systems, and methods as claimed.

BRIEF DESCRIPTION OF THE DRAWINGS

The invention will be more fully understood from the following detailed description taken in conjunction with the accompanying drawings, in which:

FIG. 1 is a schematic view of an examination system and a patient;

FIG. 2 is a partially-transparent side view of a measurement assembly;

FIG. 3 is a top view of a measurement assembly;

FIG. 4A is a top view of a reference pattern;

FIG. 4B is a top view of another reference pattern;

FIG. 5A is a top view of a reference pattern adhered to a membrane along a line;

FIG. 5B is a top view of a reference pattern adhered to a membrane at a single point;

FIG. 6A is a perspective view of a finger clip;

FIG. 6B is another perspective view of a finger clip;

FIG. 6C is a top view of a finger clip attached to a glove;

FIG. 6D is a side view of a finger clip attached to a glove;

FIG. 7A is a schematic end view of a finger clip with optical fibers arranged in a triangle pattern;

FIG. 7B is an end view of a finger clip with optical fibers arranged in a triangle pattern;

FIG. 7C is a schematic view of the position and orientation of optical fiber windows relative to a reference pattern;

FIG. 8A is a plot of optical sensor output signals as a function of time when optical fibers are moved in a first direction relative to a reference pattern;

FIG. 8B is a plot of optical sensor output signals as a function of time when optical fibers are moved in a second direction, opposite to the first direction, relative to a reference pattern;

FIG. 9A is a schematic diagram of the physical components of a controller;

FIG. 9B is a schematic diagram of the logical components of a controller;

FIG. 10 is a magnetic resonance image of a prostate;

FIG. 11A is a perspective view of a connector system;

9

FIG. 11B is an exploded perspective view of a connector system;

FIG. 11C is a perspective view of a first connector body;

FIG. 11D is a perspective view of a first key plate and a connector housing;

FIG. 11E is a perspective view of a connector system;

FIG. 11F is a perspective view of a second connector body;

FIG. 11G is a perspective view of a second key plate and a connector housing;

FIG. 11H is a cross-sectional top view of a connector system;

FIG. 12A is a schematic view of a reusable portion of an examination system; and

FIG. 12B is a schematic view of a disposable portion of an examination system.

DETAILED DESCRIPTION

Certain exemplary embodiments will now be described to provide an overall understanding of the principles of the structure, function, manufacture, and use of the systems and methods disclosed herein. One or more examples of these embodiments are illustrated in the accompanying drawings. Those skilled in the art will understand that the systems and methods specifically described herein and illustrated in the accompanying drawings are non-limiting exemplary embodiments and that the scope of the present invention is defined solely by the claims. The features illustrated or described in connection with one exemplary embodiment may be combined with the features of other embodiments. Such modifications and variations are intended to be included within the scope of the present invention.

Systems and methods are provided herein that generally involve measuring a prostate or other object. In some embodiments, a reference pattern is positioned adjacent to the object to be measured and light reflected from the reference pattern is measured or interpreted to estimate various attributes of the object, such as its volume. For example, a membrane can be sealed over a glove to form a closed volume. The closed volume can be configured to be expanded via an inflation tube, and a reference pattern can be disposed within the closed volume along with one or more optical fibers. In use, a user can put on the glove, position the membrane in proximity to a rectal wall overlying a prostate, and inflate the membrane. As the user slides their finger across the rectal wall, the optical fibers move relative to the reference pattern and a controller senses light reflected through the fibers from the reference pattern. The controller can calculate or estimate various attributes of the prostate based on the reflected light, such as the palpable surface width or volume.

System Overview

FIG. 1 illustrates an exemplary embodiment of an examination system **100** for measuring an object (e.g., a prostate **102**). The system **100** can include a measurement assembly **104** configured to provide information indicative of a dimension of the object to a controller **106**. The controller **106** can be configured to estimate one or more properties or conditions of the object based on the information provided by the measurement assembly **104**. The controller **106** can also be coupled to a computer system **108** for storing or further processing the information.

As shown in FIG. 2, the measurement assembly **104** can include a glove **110** with a membrane **112** disposed over a digit extension **114** thereof to define a closed volume **116** between the glove **110** and the membrane **112**. A reference pattern **118** can be formed on or coupled to an interior surface of the membrane **112** such that the reference pattern is dis-

10

posed within the closed volume **116**. The assembly **104** can also include a finger clip **120** coupled to the digit extension **114** beneath the membrane **112**. One or more optical fibers **122** can be mounted in a channel or lumen formed in the finger clip **120**. The optical fibers **122** can be configured to transmit light generated by a light source in the controller **106** to the reference pattern **118**, and to transmit light reflected from the reference pattern to an optical sensor in the controller. The assembly **104** can also include an inflation tube **124** extending into the closed volume **116** and configured to supply an inflation medium to the closed volume to inflate the membrane **112** and expand the closed volume, or to extract an inflation medium from the closed volume to deflate the membrane **112** and reduce the closed volume. The optical fibers **122** can extend through the inflation tube **124**, and a suitable connector can be provided at a proximal end of the inflation tube for coupling the inflation tube and the optical fibers to the controller **106**. In some embodiments, the measurement assembly **104** can be disposable, e.g., adapted for a single use or for use with a single patient, whereas the controller **106** can be reusable.

In an exemplary method of operation, the measurement assembly **104** can be worn by a user (e.g., disposed over the user's hand). The user can then position the membrane **112** in proximity to an area to be measured (e.g., a patient's rectal wall, adjacent the prostate). The membrane can be inflated using the controller **106**. With the membrane **112** remaining substantially stationary and the light source activated, the user can swipe their gloved finger and the finger clip **120** attached thereto from a first lateral margin of the prostate to a second lateral margin of the prostate. As the finger clip **120** moves across the prostate, light reflected from the reference pattern **118** can be transmitted to the controller **106**, where it can be processed to determine or estimate various properties of the prostate, such as the palpable surface width of the prostate or the volume of the prostate.

Measurement Assembly

Glove

FIG. 3 illustrates a top view of the measurement assembly **104**. As shown, the measurement assembly **104** can include a glove **110** with one or more digit extensions **114** corresponding to, and configured to receive, the fingers of a human hand. The glove **110** can thus be configured to be removably disposed around a human hand or a portion thereof. The glove **110** can be formed from any of a variety of materials suitable for use in a medical environment, including latex, natural rubber latex, neoprene, nitrile, vinyl, Vytex, and so forth. In some embodiments, the glove **110** can be a standard exam glove or surgical glove. In the illustrated embodiment, a complete glove is shown (e.g., a glove having five digit extensions and configured to envelop the entirety of a human hand). It will be appreciated, however, that in some embodiments less than a complete glove can be used. For example, the glove can be in the form of a finger cot configured to cover only a single finger or portion thereof. In other embodiments, the glove can be omitted altogether and the membrane **112** can be sealed directly around the user's finger.

Membrane

The membrane **112** can be disposed over a portion of the glove **110** (e.g., one or more digit extensions **114** thereof), or can be disposed over the entirety of the glove **110**. In some embodiments, the membrane **112** can be defined by a finger cot having an elongate tubular structure with a closed distal end and an open proximal end. The membrane **112** can be positioned over a digit extension **114** of the glove **110**, such as the forefinger digit extension, and the open proximal end of the membrane can be sealed circumferentially around the

11

digit extension. The membrane **112** can be sealed to the glove **110** using any of a variety of techniques, including UV-curable and/or biocompatible cements or adhesives. Exemplary adhesives include Dymax 1202-M-SC and Dymax 222/450 (available from Dymax Corporation of Torrington, Conn.). The membrane **112** can be sealed to the glove **110** such that a closed, fluid-tight volume **116** is defined between the membrane and the glove. As discussed in further detail below, the inflation tube **124** can be sealed between the membrane **112** and the glove **110**, such that the inflation tube extends into the closed volume **116** and a distal outlet of the inflation tube is disposed within the closed volume. The membrane **112** can be configured to expand or inflate when an inflation medium is supplied through the inflation tube **124**, and to contract or deflate when an inflation medium is removed through the inflation tube. Like the glove **110**, the membrane **112** can be formed from any of a variety of materials suitable for use in a medical environment, including latex, natural rubber latex, neoprene, nitrile, vinyl, Vytex, and so forth. In some embodiments, the membrane **112** is formed from the same material as the glove **110** and is configured to withstand strain forces applied thereto during inflation.

Reference Pattern

The reference pattern **118** can include any of a variety of indicia to provide a reference scale for measuring a dimension of an object. FIG. 4A illustrates an exemplary embodiment of a reference pattern **118** in which the indicia include a plurality of equally-spaced, parallel lines **126** defining alternating light and dark regions. In other words, the indicia provide a uniform series of alternating dark and light portions. The parallel lines **126** are arranged along a measurement axis M and extend perpendicular thereto. In the embodiment of FIG. 4A, the lines **126** have a width as measured along the measurement axis M that is equal to the width of the spaces **128** along the measurement axis. It will be appreciated, however, that any of a variety of spacing widths can be used. For example, as shown in FIG. 4B, the spaces **128** can have a width as measured along the measurement axis M that is less than half of the width of the lines **126** as measured along the measurement axis.

In operation, light reflected from the reference pattern **118** can be received through an input window formed in an optical fiber. In some embodiments, it can be desirable for the width of the light regions **128** of the reference pattern **118** to be less than the diameter or width of the optical fiber input window. This can advantageously prevent the fiber from receiving light reflected from a plurality of light regions **128** at the same time, and can thereby make pattern boundary crossings easier to identify from the sensor output data. Thus, in embodiments in which the optical fiber has an input window with a diameter of approximately 0.5 mm, the reference pattern **118** can include light regions **128** having a width as measured along the measurement axis M of about 0.3 mm and dark regions **126** having a width as measured along the measurement axis of about 0.7 mm.

The size and shape of the reference pattern **118** can vary depending on application (e.g., the size and shape of the user's hand, or the size and shape of the object to be measured). In the illustrated embodiment, the reference pattern **118** includes an elongate central portion **130** with first and second wing portions **132**, **134** extending laterally therefrom. The wing portions **132**, **134** can be sized and configured to wrap around the user's finger when the membrane **112** is in a deflated state, and to at least partially unroll therefrom when the membrane is in an inflated state. In some embodiments, the reference pattern **118** can have a width as measured along

12

the measurement axis M of about 2 inches and a height as measured perpendicular to the measurement axis of about 1.5 inches.

The reference pattern **118** can be formed directly on the interior surface of the membrane **112**, or can be formed on a separate substrate **136** coupled to the interior surface of the membrane. In embodiments in which the reference pattern **118** is formed directly on the interior of the membrane **112**, inflation of the membrane can result in stretching or distortion of the reference pattern to a degree commensurate with the degree of inflation of the membrane. In such cases, unless the degree of membrane inflation is known and well-controlled, the stretching of the reference pattern **118** can undesirably introduce error into the measurement provided by the evaluation system **100**.

Accordingly, in some embodiments, the reference pattern **118** can be formed on a substrate **136** that is separate from but coupled to the membrane **112** such that the dimensions of the reference pattern are not distorted by inflation or deflation of the membrane. In other words, the reference pattern **118** does not inflate or deflate or otherwise distort with the membrane **112**, and instead the spacing **128** between the plurality of indicia **126**, and the width of the indicia **126**, can remain constant upon inflation and deflation of the membrane **112**. As shown in FIGS. 5A-5B, the reference pattern **118** can be formed on a substrate **136** separate from the membrane **112**. The substrate **136** can be attached to the membrane **112** using an adhesive or other attachment techniques, such as fusion bonding, hot-gas welding, vibration welding, solvent bonding, or ultrasonic welding. In the embodiment of FIG. 5A, a line **138** of adhesive is applied along a central axis C of the substrate **136** (e.g., an axis that is perpendicular to the measurement axis M). It will be appreciated that, due to this adhesive pattern, any stretching of the substrate **136** as the membrane **112** is inflated or deflated will only stretch the reference pattern **118** along the central axis C, and not along the measurement axis M. Accordingly, the spacing **128** between the measurement lines **126** can remain constant during inflation and deflation, as can the width of the lines **126**. In the embodiment of FIG. 5B, the substrate **136** is adhered to the membrane **112** at a single discrete point **140** (e.g., at a center point of the substrate **136**). The size and location of the adhesion point **140** can be selected to balance resistance to inflation-related distortion of the reference pattern **118** with resistance to inadvertent rotation of the substrate **136** relative to the membrane **112**.

The reference pattern **118** can be formed on the substrate **136** or membrane **112** in any of a variety of ways. In some embodiments, the dark regions **126** of the reference pattern **118** are printed on the substrate **136** or membrane **112**, for example using dark-colored ink, dye, or paint. The light regions **128** of the reference pattern **118** can be formed by untreated portions of the substrate **136** or membrane **112**, in which case they can have the same color, transparency, translucency, etc. as the underlying material. The light regions **128** can also be printed on the membrane **112** or substrate **136**, for example using light-colored ink, dye, or paint. In embodiments in which the light regions **128** are formed by untreated portions of the substrate **136** or membrane **112**, light can reflect off of the substrate or membrane itself, or off of the tissue or other object underlying the substrate or membrane.

Any of a variety of suitable materials can be used for the substrate **136**, including plastics such as polyethylene. In some embodiments, the substrate **136** can have a thickness between about 0.5 mils and about 6.0 mils. In some embodiments, the substrate **136** can have a thickness of about 2 mils.

13

Finger Clip and Inflation Tube

FIGS. 6A-6D illustrate an exemplary embodiment of the finger clip **120** and the inflation tube **124**. The finger clip can be configured to hold one or more optical fibers **122** in a fixed position relative to the user's finger, in a fixed position relative to one another, and/or in a fixed alignment relative to the reference pattern **118**.

As shown, the finger clip **120** can include an elongate body **142** configured to substantially conform to the dorsal surface of a user's finger (or a user's gloved finger as the case may be). The elongate body **142** can include a curved or bent distal portion **144** configured to substantially conform to the distal tip of the user's finger. Thus, the finger clip **120** can be attached to the digit extension **114** of the glove **110** such that it extends along a dorsal surface of the digit extension and down across a distal tip of the digit extension. It will be appreciated that the finger clip **120** can be adhered or otherwise attached to the glove **110**, such that the finger clip remains in a fixed position relative to a user's finger when the glove is worn by the user.

The finger clip **120** can include one or more paths through which one or more optical fibers **122** can be routed. For example, the finger clip **120** can include an open channel **146** formed in its dorsal surface. The finger clip **120** can also include a tunnel **148** formed in at least a portion of the curved distal part **144** of the finger clip, extending substantially perpendicular to the dorsal surface of the finger clip, from the open channel **146** to an opening **150** (see FIGS. 7A-7B) defined by the terminal distal end of the tunnel **148**. While an open channel **146** in combination with a closed tunnel **148** is shown, it will be appreciated that the optical fiber path through the finger clip **120** can also be open along its entire length, closed along its entire length, or can include any combination of closed and open portions. The finger clip **120** can be formed from a variety of materials and using a variety of techniques. In some embodiments, the finger clip **120** can be injection molded from a soft durometer urethane (e.g., a 20 durometer urethane). The length of the finger clip **120** can be chosen such that, when the distal tip of the finger clip is placed in proximity to the rectal wall over the prostate, the proximal tip of the finger clip is fully disposed within the rectum and the inflation tube **124** extends distally beyond the anal ring. This can advantageously prevent the anal ring from pinching the membrane **112** between the distal end of the inflation tube **124** and the proximal end of the finger clip **120**, which could prevent full inflation of the membrane. In some embodiments, the finger clip **120** can have a length of about 4 cm.

The finger clip **120** can be disposed entirely within the closed volume **116** defined between the membrane **112** and the glove **110**, such that its proximal end is adjacent to the distal outlet of the inflation tube **124**. The inflation tube **124** can terminate a distance *D* from the proximal end of the finger clip **120**, such that inflation media directed through the inflation tube **124** can exit the tube at its distal end and enter the closed volume **116** without being obstructed by the finger clip **120**. The inflation tube **124** can be formed by a length of tubing, such as Tygon ND Series medical tubing or S-50-HL Tygon tubing available from Saint-Gobain S.A. of France. In an exemplary embodiment, the inflation tube **124** has an inside diameter of $\frac{3}{32}$ inches and an outside diameter of $\frac{5}{32}$ inches. The length of the inflation tube **124** can be selected based on a variety of factors, including user preference and the typical distance between the controller **106** and the patient. In an exemplary embodiment, the inflation tube **124** has a length of about 1 meter. The inflation tube **124** can be configured to deliver an inflation medium to the closed volume **116**, or to extract an inflation medium from the closed

14

volume. Exemplary inflation media include air, carbon dioxide, saline, and water. In some embodiments, the finger clip **120** can be omitted and the fibers **122** and/or the inflation tube **124** can instead be attached directly to the glove **110**, for example using an adhesive. The inflation tube **124** can have a circular cross-section, a rectangular-cross section, or any other cross-section that defines an inflation lumen through which inflation media can be conveyed.

Fibers

The measurement assembly **104** can include one or more optical fibers **122** configured to transmit light generated by a light source to the reference pattern **118**, and/or to transmit light reflected from the reference pattern to an optical sensor. The optical fibers **122** can extend through the inflation tube **124** and can be routed through the fiber path defined by the finger clip **120**. The optical fibers **122** can be secured within the fiber path, for example using a friction fit or a suitable adhesive. The fibers **122** can terminate a distance from the distal opening **150** in the finger clip tunnel **148**, such that a desired spacing is maintained between the end of the fiber and the reference pattern **118** even when the tip of the finger clip **120** is in direct contact with the reference pattern. In some embodiments, the fibers **122** can terminate between about 0.25 mm and about 0.5 mm from the distal opening **150** of the finger clip tunnel **148**. The fibers **122** can thus be positioned within the finger clip **120** such that optical windows formed in the terminal distal ends of the fibers are aimed in a direction perpendicular to a dorsal surface of a user's finger when the finger clip is attached to the user's finger.

In some embodiments, a single fiber **122** can be used both to transmit light from the light source to the reference pattern **118** and to transmit light reflected from the reference pattern to the optical sensor. In further embodiments, the measurement assembly **104** can include a transmitting optical fiber for directing light from the light source to the reference pattern **118** and a receiving optical fiber for directing light reflected from the reference pattern to the optical sensor. In still further embodiments, as shown in FIGS. 7A-7C, the system can include a transmitting fiber **122T** and first and second receiver fibers **122R1**, **122R2**, each of the receiver fibers being configured to transmit light reflected from the reference pattern **118** to one or more optical sensors. The optical fibers **122** can be coupled directly to the light source or optical sensors, or can be coupled thereto via one or more intermediate fibers, for example using a connector system as described below.

Each of the optical fibers **122** can be jacketed or unjacketed, and can include one or more input or output windows through which light can pass. For example, the transmitting optical fiber **122T** can include an input window defined by its terminal proximal end and an output window defined by its terminal distal end. Similarly, the receiver fiber(s) **122R1**, **122R2** can include an input window defined by their terminal distal end and an output window defined by their terminal proximal end. The fibers **122** can be configured to transmit infrared, near-infrared, visible, or other any other detectable spectra of light. Exemplary fibers include unjacketed CK-20 ESKA plastic optical fibers having a diameter of 0.5 mm, available from Mitsubishi International Corporation of New York, N.Y. The fibers **122** can have a length that is slightly longer than that of the inflation tube **124** to facilitate routing of the fibers through the finger clip **120** and/or a connector assembly coupled to the inflation tube.

As shown in FIGS. 7A-7C, the fibers **122** can be positioned in the finger clip **120** so as to improve the measurement accuracy and error detection capabilities of the system **100**. In particular, the transmitting fiber **122T** and the first and second receiver fibers **122R1**, **122R2** can be positioned in the finger

clip **120** such that the input windows of the first and second receiver fibers are arranged in a line **M1** that is substantially parallel to the measurement axis **M** of the reference pattern **118** when the system **100** is assembled. The transmitting fiber **122T** can be positioned above or below the receiver fibers **122R1**, **122R2** such that the output window of the transmitting fiber and the input windows of the first and second receiver fibers are arranged in a triangle or delta pattern.

During operation, as the user swipes the finger clip **120** across the reference pattern **118**, the offset between the receiver fibers **122R1**, **122R2** along the measurement axis **M** can cause one of the receiver fibers to transmit reflected light before the reflected light can be transmitted by the other receiver fiber. Accordingly, the optical sensor output corresponding to the first fiber will toggle before the optical sensor output of the second fiber.

FIGS. **8A** and **8B** are plots of the output of an optical sensor **R1** coupled to the first receiver fiber **122R1** and the output of an optical sensor **R2** coupled to the second receiver fiber **122R2** as a function of time. As shown in FIG. **8A**, when the finger clip **120** is moved in a first direction along the measurement axis **M**, the sensor **R1** for the first receiver fiber **122R1** detects a boundary crossing slightly before the boundary crossing is detected by the sensor **R2** for the second receiver fiber **122R2**. As shown in FIG. **8B**, when the finger clip **120** is moved in a second direction along the measurement axis **M**, opposite to the first direction, the sensor **R2** for the second receiver fiber **122R2** detects a boundary crossing slightly before the boundary crossing is detected by the sensor **R1** for the first receiver fiber **122R1**. Accordingly, by comparing the light received by the first receiver fiber **122R1** in time relation to the light received by the second receiver fiber **122R2**, the direction of finger clip **120** movement relative to the reference pattern **118** can be determined. As discussed further below, the controller **106** can be configured to detect that an error has occurred when a change in direction is detected, or to compensate for the change in direction.

Controller

FIG. **9** illustrates a block diagram of the physical components of an exemplary embodiment of the controller **106**. Although an exemplary controller **106** is depicted and described herein, it will be appreciated that this is for sake of generality and convenience. In other embodiments, the controller **106** may differ in architecture and operation from that shown and described here.

The illustrated controller **106** includes a processor **152** which controls the operation of the controller **106**, for example by executing embedded software, operating systems, device drivers, application programs, and so forth. The processor **152** can include any type of microprocessor or central processing unit (CPU), including programmable general-purpose or special-purpose processors and/or any of a variety of proprietary or commercially-available single or multi-processor systems, including 32-bit PIC Peripheral Interface Controllers or 16-bit dsPIC digital signal Peripheral Interface Controllers available from Microchip Technology Incorporated of Chandler, Ariz. As used herein, the term processor can refer to microprocessors, microcontrollers, ASICs, FPGAs, processors that read and interpret program instructions from internal or external memory or registers, and so forth. The controller **106** also includes a memory **154**, which provides temporary or permanent storage for code to be executed by the processor **152** or for data that is processed by the processor. The memory **154** can include read-only memory (ROM), flash memory, one or more varieties of random access memory (RAM), and/or a combination of memory technologies. The various components of the con-

troller **106** can be interconnected via any one or more separate traces, physical busses, communication lines, etc.

The controller **106** can also include an interface **156**, such as a communication interface or an I/O interface. A communication interface can enable the controller **106** to communicate with remote devices (e.g., other controllers or computer systems) over a network or communications bus (e.g., a universal serial bus). An I/O interface can facilitate communication between one or more input devices, one or more output devices, and the various other components of the controller **106**. Exemplary input devices include touch screens, mechanical buttons, keyboards, and pointing devices. The controller can also include a storage device **158**, which can include any conventional medium for storing data in a non-volatile and/or non-transient manner. The storage device **158** can thus hold data and/or instructions in a persistent state (i.e., the value is retained despite interruption of power to the controller **106**). The storage device **158** can include one or more hard disk drives, flash drives, USB drives, optical drives, various media disks or cards, and/or any combination thereof and can be directly connected to the other components of the controller **106** or remotely connected thereto, such as through the communication interface. The controller **106** can also include a display **160**, and can generate images to be displayed thereon. In some embodiments, the display **160** can be a vacuum fluorescent display (VFD), an organic light-emitting diode (OLED) display, or a liquid crystal display (LCD).

The controller **106** can also include a power supply **162** and appropriate regulating and conditioning circuitry. Exemplary power supplies include batteries, such as polymer lithium ion batteries, or adapters for coupling the controller **106** to a DC or AC power source (e.g., a USB adapter or a wall adapter). The controller **106** can also include an inflation system **164**, such as an electromechanical pump controlled by the processor **152**. Other inflation systems can also be employed, such as a stored volume of compressed fluid (e.g., air or carbon dioxide) or a manual pump (e.g., a sphygmomanometer bulb). A pressure relief valve **166** or other safety device can also be provided to prevent over-inflation of the membrane **112** and/or to deflate the membrane when an evaluation is complete. In some embodiments, the pressure relief valve **166** can be configured to fail into the open position, such that pressure is released from the membrane **112** in the event of a power loss or other system malfunction. The inflation system **164** can be configured to supply an inflation medium through the inflation tube **124** and into the closed volume **116**. Any of a variety of inflation media can be used, including air, carbon dioxide, saline, water, and the like. In some embodiments, the inflation system **164** can be configured to inflate the membrane **112** to an inflation pressure of 1.5 psi, and the pressure relief valve **166** can be configured to release pressure if and when it exceeds 2.0 psi. The inflation system **164** can also be configured to supply a fixed volume of an inflation medium to the membrane **112**, e.g., about 25 mL of air.

The controller **106** can also include an optical system that includes a first detector circuit **168R1** for receiving light transmitted through the first receiver fiber **122R1**, a second detector circuit **168R2** for receiving light transmitted through the second receiver fiber **122R2**, and a light source **170** for producing light to be transmitted through the transmitting fiber **122T**. In some embodiments, the detector circuits **168** can include a photo detector that is optically coupled to a fiber **122** and electrically coupled to the processor **152**. Exemplary photo detectors include CMOS image sensors, charge-coupled devices, photodiodes, photoresistors, and phototransistors (e.g., photodarlington detectors). The photo

17

detector can provide an electrical output signal to the processor **152** based on light that is received by the photo detector. The light source **170** can be or can include any of a variety of devices configured to produce light, including LEDs and incandescent bulbs. In some embodiments, the light source **170** can include an infrared LED.

The various functions performed by the controller **106** can be logically described as being performed by one or more modules. It will be appreciated that such modules can be implemented in hardware, software, or a combination thereof. It will further be appreciated that, when implemented in software, modules can be part of a single program or one or more separate programs, and can be implemented in a variety of contexts (e.g., as part of an embedded software package, an operating system, a device driver, a standalone application, and/or combinations thereof). In addition, software embodying one or more modules can be stored as an executable program on one or more non-transitory computer-readable storage mediums. Functions disclosed herein as being performed by a particular module can also be performed by any other module or combination of modules, and the controller can include fewer or more modules than what is shown and described herein. FIG. **9B** is a schematic diagram of the modules of one exemplary embodiment of the controller **106**.

As shown in FIG. **9B**, the controller **106** can include a sensor input module **172** configured to receive information indicative of light reflected from the reference pattern **118** as the optical fiber(s) **122** are moved across the reference pattern during an examination. The sensor input module **172** can read and interpret photo detector output signals supplied from the photo detectors **168** to the processor **152**, e.g., via a general purpose input/output pin of the processor. The sensor input module **172** can optionally perform various processing on the photo detector output signal, such as debouncing, analog-to-digital conversion, filtering, and so forth.

The controller **106** can also include a distance measuring module **174** configured to convert the information received by the sensor input module **172** into a measurement of the object being evaluated (e.g., a palpable surface width PS_w in the case of a prostate). For example, when a start instruction is issued (e.g., in response to the user's pressing of a "start measurement" button or equivalent), the distance measuring module **174** can begin counting the number of signal pulses received from the photo detectors **168**. When an end instruction is issued (e.g., in response to the user's pressing of an "end measurement" button or after a predetermined time has elapsed without a detected pulse), the distance measuring module **174** can multiply the number of pulses counted by the width of the indicia **126** and spaces **128** formed on the reference pattern **118**. This width can be pre-stored as a constant value in the memory **154** of the controller **106**, can be manually input by the user via the controller's user interface, or can be read from a passive or active memory chip disposed in the measurement assembly **104**.

The controller **106** can also include a volume estimation module **176** configured to estimate a volume or other attribute of the object being measured based on one or more measurements obtained by the distance measuring module **174**. For example, the volume estimation module **176** can be configured to calculate or estimate the volume (V) of a prostate based on the palpable surface width (PS_w) of the prostate as obtained by the distance measuring module **174**. The palpable surface of a prostate is illustrated in the magnetic resonance image shown in FIG. **10**. The volume can be calculated as:

$$V=PS_w^3 \cdot k$$

18

where k is a constant. Any of a variety of values can be used for the constant k to calculate the volume. In some embodiments, k is between about 0.01 and about 1.00. In some embodiments, k is between about 0.35 and about 0.45. In some embodiments, k is about 0.3926991. The volume estimation module **176** can also use other techniques to estimate the volume (V) based on the measured palpable surface width PS_w . For example, the volume estimation module **176** can reference a lookup table stored in the memory **154** to determine a volume associated with a particular palpable surface width. The volume estimation module **176** can also estimate other dimensions of the prostate based on the palpable surface width (e.g., a height (H), a width (W) and a depth (D)), and calculate the prostate volume using the estimated dimensions. For example, the volume (V) of the prostate can be calculated as:

$$V=H \cdot W \cdot D \cdot \pi/6$$

or as:

$$V=H^2 \cdot W \cdot \pi/6$$

Referring again to FIG. **9B**, the controller **106** can also include an error detection module **178** configured to detect when a measurement error may have occurred. The error detection module **178** can compare the photo detector output corresponding to the first receiver fiber **122R1** to the photo detector output corresponding to the second receiver fiber **122R2** (e.g., as described above with respect to FIGS. **8A** and **8B**), to determine the order in which the first and second receiver fibers encounter a marking or border crossing on the reference pattern **118**. If the error detection module **178** detects that this order changes during a measurement (e.g., between the time when a start instruction and an end instruction are issued), the error detection module can flag that an error has occurred. For example, the error detection module **178** can cause an error LED to be illuminated, an audible alert to be sounded, and/or a visible message to be shown on the display **160**. In some embodiments, the error detection module **178** can be configured to compensate for directional changes by decrementing the indicia count when it is detected that the user is moving the optical fibers **122** backwards along the reference pattern **118**.

The controller **106** can also include an inflation control module **180** configured to actuate the inflation system **164**. When an "inflate" instruction is issued (e.g., when the user pushes an inflate button or a start measurement button on the controller housing or on a touch screen display), the inflation control module **180** can cause power to be supplied to an electromechanical pump to begin pumping an inflation medium into the closed volume **116**, or cause an electronically-actuated valve to open such that inflation media stored under pressure is placed in fluid communication with the closed volume via the inflation tube **124**. In some embodiments, the inflation control module **180** can be configured to cut off power to the pump or to close a valve when a pressure sensor indicates that the pressure in the system has reached a predetermined threshold amount, thereby preventing over-inflation of the membrane.

The controller **106** can also include a display module **182** configured to display various information to the user on the display **160**, such as menus, buttons, instructions, and other user interface elements. The display module **162** can also be configured to display instructions, warnings, errors, measurements, and calculations. For example, the display module **182** can be configured to display the palpable surface width (PS_w) and volume (V) of a prostate after a measurement procedure is completed on the prostate.

The controller **106** can also include an identification module **184** configured to determine whether the measurement assembly **104** is an authenticated measurement assembly. In some embodiments, the measurement assembly **104** can include an RFID tag, micro bar code, or other embedded identification information. The identification module **184** can be configured to read this identification information and compare it to a database of measurement assemblies. The database can be stored in the controller **106** or can be accessible via a network, and can indicate whether or not a particular measurement assembly **104** is authenticated. If the measurement assembly **104** is determined not to be authenticated, the identification module **184** can indicate as much to the user and can prevent the measurement from proceeding. If the measurement assembly **104** is determined to be authenticated, the identification module **184** can permit the measurement to proceed. When a measurement session is completed, the identification module **184** can be configured to create or mark an entry in the database indicating that the measurement assembly **104** used during the session is no longer authenticated, thereby preventing the measurement assembly **104** from being reused.

Connector System

As noted above, the system **100** can include one or more multiplex connector systems for coupling the measurement assembly **104** to the controller **106**. FIGS. **11A-11H** illustrate an exemplary embodiment of a connector system **200** in which a first fluid lumen and a first set of optical fibers (which can be disposed in the controller **106**) can be selectively coupled to a second fluid lumen and a second set of optical fibers (which can be disposed in the measurement assembly **104**). The illustrated connector system **200** can advantageously ensure proper alignment between the inflation and optical systems of the controller **106** and the measurement assembly **104**. The connector system **200** can also allow the optical fibers to transition from a position outside of the inflation lumen to a position within the inflation lumen. The connector system **200** can include a first connector assembly **202A**, a second connector assembly **202B**, and a connector housing **204**.

As shown in FIG. **11B**, the first connector assembly **202A** can include a first connector body **206A**, a first key plate **208A**, a first internal overmold **210A**, a first gasket **212A**, and a first external overmold **214A**.

As shown in FIG. **11C**, the first connector body **206A** can include a proximal extension portion **216A** and a distal rectangular parallelepiped frame **218A**. The proximal extension portion **216A** can include a fluid passageway **220A** and one or more fiber passageways **222A** extending therethrough. The distal-facing surface of the frame **218A** can define a first mating interface **224A** configured to abut with a second mating interface **224B** of the second connector body **206B**, as discussed below. The frame **218A** can also include internal baffles **226A** that define a substantially H-shaped lumen **228A**. In other words, the H-shaped lumen **228A** can include first and second pathways that extend generally in the same direction with a crossover pathway joining the two together. As shown, a first leg **228A1** of the H-shaped lumen extends proximally to the fluid passageway **220A** in the proximal extension portion **216A**. A second leg **228A2** of the H-shaped lumen extends proximally to the fiber passageway(s) **222A** in the proximal extension portion **216A**. A third leg **228A3** of the H-shaped lumen extends distally to a fluid opening **230A** formed in the first mating interface **224A**. A fourth leg **228A4** of the H-shaped lumen extends distally to one or more fiber openings **232A** formed in the first mating interface **224A**.

The distal frame **218A** can include at least one open face **234A** through which the interior of the frame can be accessed. When assembled, the first key plate **208A** can be glued to the frame **218A** using an adhesive such that the first key plate covers the open face **234A** of the frame. As shown in FIG. **11D**, the first key plate **208A** can include a planar base portion **236A** with a raised key projection **238A** configured to interface with a corresponding recess **240A** in the connector housing **204**. The size and shape of the projection **238A** can be selected such that the first connector assembly **202A** can only mate with the connector housing **204** in one orientation.

As shown in FIG. **11E**, the first internal overmold **210A** can be configured to slide over the proximal extension portion **216A** and cover the proximal-facing surface of the distal frame **218A**, or can be injection molded therearound. The first internal overmold **210A** can be configured to support the proximal extension **216A** and provide strain relief. The first internal overmold **210A** can also include a lip **242A** for forming the distal sidewall of a trough in which the first gasket **212A** is seated.

The first gasket **212A** can be configured to form a fluid-tight seal at the interface between the first connector assembly **202A** and the connector housing **204**. In some embodiments, the first gasket **212A** can be a rubber O-ring.

The first external overmold **214A** can be configured to slide over the first internal overmold **210A**, or can be injection molded therearound, and can include a lip **244A** for forming the proximal sidewall of the trough in which the first gasket **212A** is seated. The first external overmold **214A** can include a gripping surface **246A** defined by a series of grooves or ribs, and can include raised tabs **248A** and/or slots **250A** configured to mate with corresponding features formed in the connector housing **204**, such that the first connector assembly **202A** can snap-fit into the connector housing **204**.

Referring again to FIG. **11B**, the second connector assembly **202B** can include a second connector body **206B**, a second key plate **208B**, a second internal overmold **210B**, a second gasket **212B**, and a second external overmold **214B**.

As shown in FIG. **11F**, the second connector body **206B** can include a distal extension portion **216B** and a proximal rectangular parallelepiped frame **218B**. The distal extension portion **216B** can include a fluid passageway **220B** extending therethrough. The proximal-facing surface of the frame **218B** can define a second mating interface **224B** configured to abut with the first mating interface **224A** of the first connector body **206A**, as discussed below. The frame **218B** can also include internal baffles **226B** that define a substantially H-shaped lumen **228B**. In other words, the H-shaped lumen **228B** can include first and second pathways that extend generally in the same direction with a crossover pathway joining the two together. As shown, a first leg **228B1** of the H-shaped lumen **228B** extends distally to the fluid passageway **220B** in the distal extension portion **216B**. A second leg **228B2** of the H-shaped lumen **228B** extends distally to a closed-off termination **252B** formed by the wall of the frame **218B**. A third leg **228B3** of the H-shaped lumen **228B** extends proximally to a fluid opening **230B** formed in the second mating interface **224B**. A fourth leg **228B4** of the H-shaped lumen **228B** extends proximally to one or more fiber openings **232B** formed in the second mating interface **224B**.

The proximal frame **218B** can include at least one open face **234B** through which the interior of the frame can be accessed. When assembled, the second key plate **208B** can be glued to the frame **218B** using an adhesive such that the second key plate covers the open face **234B** of the frame. As shown in FIG. **11G**, the second key plate **208B** can include a planar base portion **236B** with a raised key projection **238B**

21

configured to interface with a corresponding recess **240B** in the connector housing **204**. The size and shape of the projection **238B** can be selected such that the second connector assembly **202B** can only mate with the connector housing **204** in one orientation. The second key plate **208B**, which can form part of a disposable portion of the system **100**, can include an RFID tag or other identifier which can be read by the identification module **184** as discussed above. In particular, the second key plate **208B** can be injection molded around an RFID tag. It will be appreciated that the RFID tag can also be placed in any of a variety of other places in the disposable portion of the system **100**, such as in the glove **110**, the membrane **112**, or the disposable portion's packaging.

Referring again to FIG. 11E, the second internal overmold **210B** can be configured to slide over the distal extension portion **216B** and cover the distal-facing surface of the proximal frame **218B**, or can be injection molded therearound. The second internal overmold **210B** can be configured to support the distal extension **216B** and provide strain relief. The second internal overmold **210B** can include a lip **242B** for forming the proximal sidewall of a trough in which the second gasket **212B** is seated.

The second gasket **212B** can be configured to form a fluid-tight seal at the interface between the second connector assembly **202B** and the connector housing **204**. In some embodiments, the second gasket **212B** can be a rubber O-ring.

The second external overmold **214B** can be configured to slide over the second internal overmold **210B**, or can be injection molded therearound, and can include a lip **244B** for forming the distal sidewall of the trough in which the second gasket **212B** is seated. The second external overmold **214B** can include a gripping surface **246B** defined by a series of grooves or ribs, and can include raised tabs **248B** and/or slots **250B** configured to mate with corresponding features formed in the connector housing **204**, such that the second connector assembly **202B** can snap-fit into the connector housing **204**.

As shown in FIG. 11B, the connector housing can include a rectangular parallelepiped frame **252** with a proximal opening **254** for receiving the first connector assembly **202A** and a distal opening **256** for receiving the second connector assembly **202B**. The housing **204** can include key slots **240A**, **240B** for receiving the first and second key plates **208A**, **208B**, respectively, as shown in FIGS. 11D and 11G. The housing **204** can also include a mating flange **258** and spring arms **260** that together define a channel **262** in which the chassis of the controller **106** can be received. In particular, as the connector housing **204** is inserted through an opening in the controller chassis **264** during system assembly, the chassis wall **266** causes the spring arms **260** to deflect inwardly towards the housing **204**. As the housing **204** is advanced further through the opening, the spring arms **260** surpass the chassis wall **266** and return outwardly away from the housing **204** to lock the chassis wall **266** in the channel **262**, between the spring arms **260** and the flange **258**, as shown for example in FIG. 12A. It will be appreciated that other techniques can also be used to mount, attach, or integrate the connector system **200** with the controller chassis **264**. For example, the flange **258** can be configured to be disposed in the interior of the chassis **264**, and/or can include one or more mounting screws or bolts for securing the housing **204** to the chassis **264**. In some embodiments, the connector housing **204** can be formed integrally with at least one of the first connector body **206A** and the second connector body **206B**.

The components of the connector system **200** can be formed using a variety of techniques (e.g., stereolithography or injection molding) and from a variety of materials (e.g., polyvinyl chloride or polymethyl methacrylate (PMMA)).

22

As shown in FIG. 11H, the first mating interface **224A** of the first connector body **206A** and the second mating interface **224B** of the second connector body **206B** can be placed in apposition such that fibers **122A** extending through the first connector body are placed in optical communication with fibers **122B** extending through the second connector body, and such that a fluid lumen **124A** extending through the first connector body is placed in fluid communication with a fluid lumen **124B** extending through the second connector body. The first mating interface **224A** can be maintained in alignment with the second mating interface **224B** by the connector housing **204**.

As also shown in FIG. 11H, the connector system **200** can allow one or more optical fibers **122** to be introduced into a fluid-tight passage (e.g., the inflation tube **124** of a prostate evaluation system **100**). In the illustrated connector system **200**, a first set of three optical fibers **122A** enters the proximal end of the first connector body **206A** through the fiber passageway **222A** in the proximal extension portion **216A**. The fibers **122A** then extend through the second leg **228A2** of the H-shaped lumen and into the fourth leg **228A4**, where their terminal distal ends are presented at the first mating interface **224A**. The terminal proximal ends of the fibers **122A** can be coupled to the light source **170** and optical sensors **168R1**, **168R2** of the controller **106**, as shown in FIG. 12A. The first set of optical fibers **122A** can thus extend through less than an entire length of the fluid lumen formed in the first connector body **206A**.

A second set of three optical fibers **122B** enters the distal end of the second connector body **206B** through the inflation lumen **220B** in the distal extension portion **216B**. The fibers **122B** then extend through the first leg **228B1** of the H-shaped lumen, through the crossover path, and into the fourth leg **228B4**, where their terminal proximal ends are presented at the second mating interface **224B**. The terminal distal ends of the fibers **122B** can be mounted in the finger clip **120**, as shown in FIG. 12B.

In some embodiments, the ends of the fibers **122A**, **122B** presented at the first and second mating interfaces **224A**, **224B** can be square-cut to form a butt joint with each other. In other embodiments, the ends of the fibers **122A**, **122B** can be slash- or oblique-cut to form a miter joint with each other. Use of a miter joint can, in some instances, reduce reflections produced at the fiber junction, and thereby reduce noise and improve measurement accuracy.

In addition to providing a fiber path, the connector system **200** can define a fluid-tight passageway extending there-through. Fluid supplied from the controller inflation system (e.g., from a manual pump **164** and pressure relief valve **166** as shown in FIG. 12A) can enter the proximal end of the fluid passageway **220A** and can flow through the first and third legs **228A1**, **228A3** of the H-shaped lumen in the first connector body **206A**. The fluid can then flow across the intersection of the first and second mating interfaces **224A**, **224B**, and into the third and first legs **228B3**, **228B1** of the H-shaped lumen in the second connector body **206B**. The fluid can then flow through the fluid passageway **220B** formed in the distal extension portion **216B** (e.g., to the inflation tube **124** leading to the sealed membrane volume **116** of the measurement assembly **104**, as shown in FIG. 12B).

The mated connector system **200** thus provides a continuous fluid-tight passage having proximal and distal terminal ends, in which one or more optical fibers **122** can enter the fluid-tight passage at a location other than the proximal and distal terminal ends. In other words, the connector system **200** can allow optical fibers **122** to extend from a position outside

23

of the inflation path to a position inside the inflation path without losing inflation pressure.

It will be appreciated that the system 100 can be divided into a reusable portion and a disposable portion. The reusable portion, shown in FIG. 12A, can include the controller 106, the connector housing 204 mounted in the controller chassis 264, and the first connector assembly 202A disposed within the controller chassis. The disposable portion, shown in FIG. 12B, can include the second connector assembly 202B and the measurement assembly 104. The connector system 200 can thus allow for quick and easy connection/disconnection of the optical and fluid systems of the reusable portion and the disposable portion in a single operation.

Methods

An exemplary method of using the system 100 to measure a patient's prostate is as follows. First, the user can remove the disposable portion of the system (e.g., the measurement assembly 104 and the second connector assembly 202B) from its packaging. The user can then couple the disposable portion to the reusable portion of the system. For example, the second connector assembly 202B can be inserted into the connector housing 204 mounted in the controller 106. The user can then don the glove 110 and insert their forefinger into the patient's rectum. As noted above, the finger clip 120 can be attached to the dorsal and distal surfaces of the user's finger, such that the ventral surface of the user's finger remains free to perform a digital rectal examination as would conventionally be done with a standard exam glove. The user can therefore perform a standard digital rectal examination and obtain a prostate measurement using the system 100 without changing gloves.

When the user is ready to take a measurement, the membrane 112 can be positioned adjacent to the rectal wall in proximity to the prostate 102. The membrane 112 can then be inflated such that the membrane expands into contact with the rectal wall. The membrane 112 can be inflated by actuating a manual pump, or by pushing a button or other user interface element on the controller 106 to activate an electromechanical pump, valve, or other inflation system component. As explained above, when the membrane 112 is inflated, the spacing 128 and width of the indicia 126 on the reference pattern 118 can remain substantially constant.

Before or after inflating the membrane 112, the user can locate a first prostate lateral margin with their finger. The user can then push a button or other user interface element on the controller 106 to initiate execution of a measurement routine by the processor 152. The button or user interface element for initiating a measurement can be the same as the one for inflating the membrane 112, such that a single button push is effective to both inflate the membrane and initiate a measurement. Separate buttons can alternatively be provided. The user can then swipe their finger from the first prostate lateral margin to the second prostate lateral margin, thereby moving the finger clip 120 and associated optical fibers 122 along the measurement axis M of the reference pattern 118, as the reference pattern and membrane 112 remain stationary against the rectal wall.

As the user's finger moves across the reference pattern 118, light generated by the light source 170 can be transmitted to the reference pattern through the transmitting fiber 122T, and reflected back from the reference pattern to the optical detectors 168R1, 168R2 through the first and second receiver fibers 122R1, 122R2. As the receiver fibers move from a light region 128 to a dark region 126 and vice-versa, the optical sensor outputs provided to the processor 152 change. The processor 152 can maintain a count of such transitions until the user reaches the second prostate lateral margin, at which time the user can end the measurement procedure, for example by

24

pushing a button or user interface element on the controller 106, or by holding their finger stationary such that a predetermined time elapses without a change in sensor output, thereby triggering the processor to end the measurement routine. If the user changes the direction in which they are moving their finger during the measurement routine, such a change in direction can be detected as described above and can trigger an error message to the user or compensation processing.

When the measurement procedure is finished, the processor 152 can calculate or estimate values for the palpable surface width and/or volume of the prostate as described above. These values can then be displayed on the display 160, stored in the storage device 158, and/or transmitted to the computer system 108 for storage and/or further processing. For example, the measured volume of the prostate can be compared to a threshold volume based on the patient's age or other factors to determine whether a biopsy should be recommended to the patient. When the user is finished taking measurements, the membrane can be deflated (e.g., automatically upon the user's pressing of an "end measurement" button) and the measurement assembly 104 can be removed from the patient. The second connector assembly 202B can be unplugged from the connector housing 204 and the disposable portion of the system 100 can be taken off and discarded in accordance with proper medical waste disposal procedures. In some embodiments, the "disposable" portion of the system 100 can also be cleaned and/or sterilized for subsequent reuse.

While the systems and methods disclosed herein are generally described in connection with measuring a human prostate for diagnostic purposes, it will be appreciated that many other applications exist for such systems and methods. For example, the systems and methods disclosed herein can be used to measure any object, including any portion of a human or animal body. In addition, the systems and methods disclosed herein can be used to measure colorectal cancers or lesions that are within a finger's length into the rectum or to check for benign prostatic hyperplasia.

As used herein, the term "fluid" refers to both liquids (e.g., water or saline) and gasses (e.g., air, nitrogen, or carbon dioxide).

Although the invention has been described by reference to specific embodiments, it should be understood that numerous changes may be made within the spirit and scope of the inventive concepts described. Accordingly, it is intended that the invention not be limited to the described embodiments, but that it have the full scope defined by the language of the following claims.

What is claimed is:

1. An examination device, comprising:
 - a glove comprising a plurality of digit extensions;
 - a membrane that is separate from the glove and disposed over an exterior of the glove, the membrane defining an interior volume between an inner surface of the membrane and an outer surface of the glove, the membrane being disposed over only a single digit extension of the glove;
 - a reference pattern disposed within the interior volume of the membrane;
 - an illumination fiber extending into the interior volume of the membrane and configured to transmit light to the reference pattern through an output window;
 - a first receiving fiber extending into the interior volume of the membrane and configured to receive light reflected from the reference pattern through a first input window; and

25

a second receiving fiber extending into the interior volume of the membrane and configured to receive light reflected from the reference pattern through a second input window;

wherein the illumination fiber, the first receiving fiber, and the second receiving fiber are separate and distinct from one another;

wherein the first and second receiving fibers are configured to be coupled to a controller that calculates a measurement distance based on movement of the first and second receiving fibers relative to the reference pattern.

2. The device of claim 1, wherein the output window is formed in a terminal distal end of the illumination fiber, the first input window is formed in a terminal distal end of the first receiving fiber, and the second input window is formed in a terminal distal end of the second receiving fiber.

3. The device of claim 1, wherein the output window, the first input window, and the second input window are disposed adjacent to one another in a delta configuration.

4. The device of claim 1, wherein the reference pattern includes a plurality of indicia arranged along a measurement axis and wherein the first input window and the second input window are arranged in a line that is substantially parallel to the measurement axis.

5. The device of claim 1, wherein the plurality of indicia include a series of lines spaced equally along the measurement axis.

6. The device of claim 1, wherein the illumination fiber, the first receiving fiber, and the second receiving fiber are configured to transmit near infrared light.

7. The device of claim 1, wherein the illumination fiber, the first receiving fiber, and the second receiving fiber each have a diameter of approximately 0.5 mm.

8. The device of claim 1, wherein the first receiving fiber is coupled to a first optical sensor and the second receiving fiber is coupled to a second optical sensor.

9. The device of claim 1, wherein the first and second receiving fibers are positioned such that light reflected from a feature of the reference pattern is transmitted through the first and second receiving fibers at different times as the first and second fibers are moved relative to the reference pattern, such that a direction of movement of the first and second receiver fibers relative to the reference pattern can be determined.

10. An examination device, comprising:

a membrane defining an interior volume, the membrane being configured to surround only a single finger of a user;

a reference pattern disposed within the interior volume of the membrane;

an illumination fiber extending into the interior volume of the membrane and configured to transmit light to the reference pattern through an output window;

26

a first receiving fiber extending into the interior volume of the membrane and configured to receive light reflected from the reference pattern through a first input window; and

a second receiving fiber extending into the interior volume of the membrane and configured to receive light reflected from the reference pattern through a second input window;

wherein the illumination fiber, the first receiving fiber, and the second receiving fiber are separate and distinct from one another;

wherein the first and second receiving fibers are arranged with respect to the reference pattern such that a direction in which the first and second receiving fibers are moved with respect to the reference pattern can be determined based on a timing at which each of the first and second receiving fibers receives light reflected from the reference pattern; and

wherein the first and second receiving fibers are configured to be coupled to a controller that calculates a measurement distance based on movement of the first and second receiving fibers relative to the reference pattern.

11. The device of claim 10, wherein the output window is formed in a terminal distal end of the illumination fiber, the first input window is formed in a terminal distal end of the first receiving fiber, and the second input window is formed in a terminal distal end of the second receiving fiber.

12. The device of claim 10, wherein the output window, the first input window, and the second input window are disposed adjacent to one another in a delta configuration.

13. The device of claim 10, wherein the reference pattern includes a plurality of indicia arranged along a measurement axis and wherein the first input window and the second input window are arranged in a line that is substantially parallel to the measurement axis.

14. The device of claim 10, wherein the plurality of indicia include a series of lines spaced equally along the measurement axis.

15. The device of claim 10, wherein the illumination fiber, the first receiving fiber, and the second receiving fiber are configured to transmit near infrared light.

16. The device of claim 10, wherein the illumination fiber, the first receiving fiber, and the second receiving fiber each have a diameter of approximately 0.5 mm.

17. The device of claim 10, wherein the first receiving fiber is coupled to a first optical sensor and the second receiving fiber is coupled to a second optical sensor.

18. The device of claim 10, wherein the first and second receiving fibers are positioned such that light reflected from a feature of the reference pattern is transmitted through the first and second receiving fibers at different times as the first and second fibers are moved relative to the reference pattern, such that a direction of movement of the first and second receiver fibers relative to the reference pattern can be determined.

* * * * *